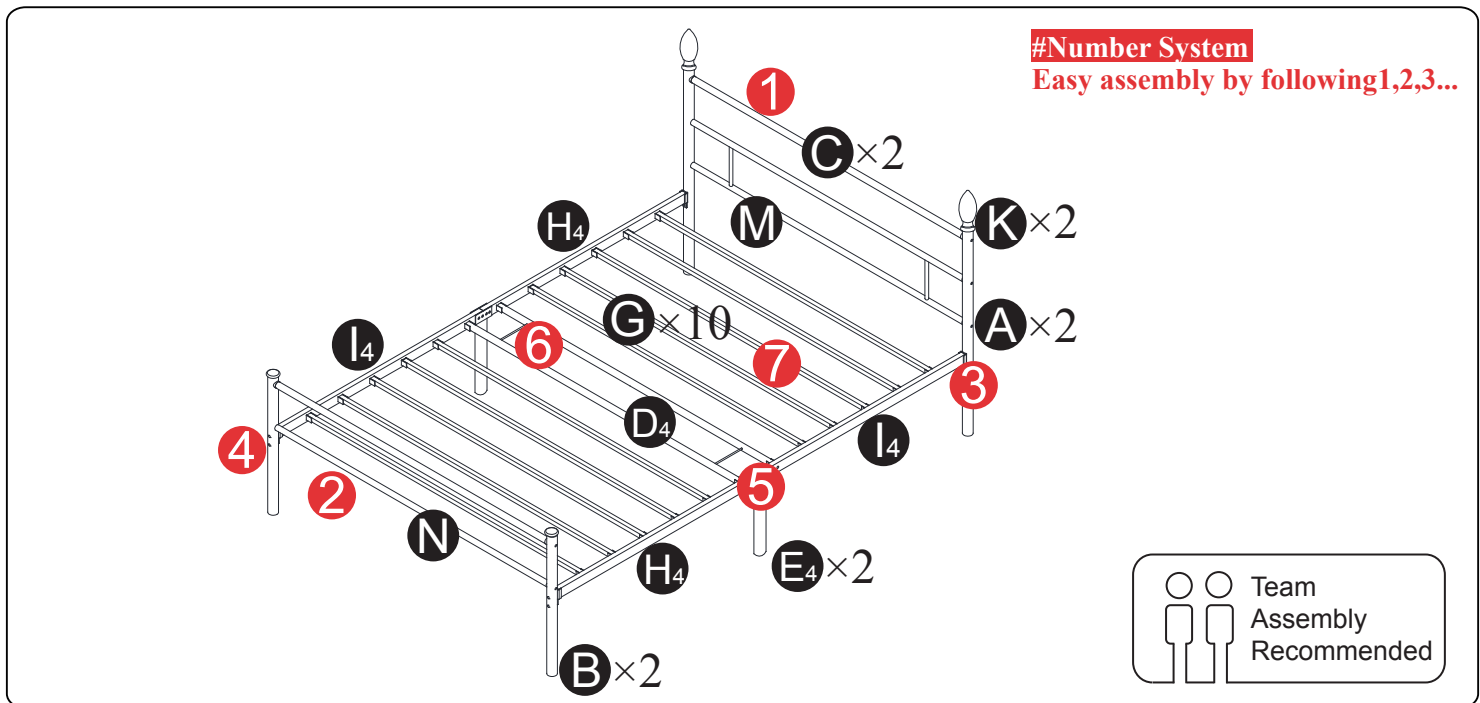
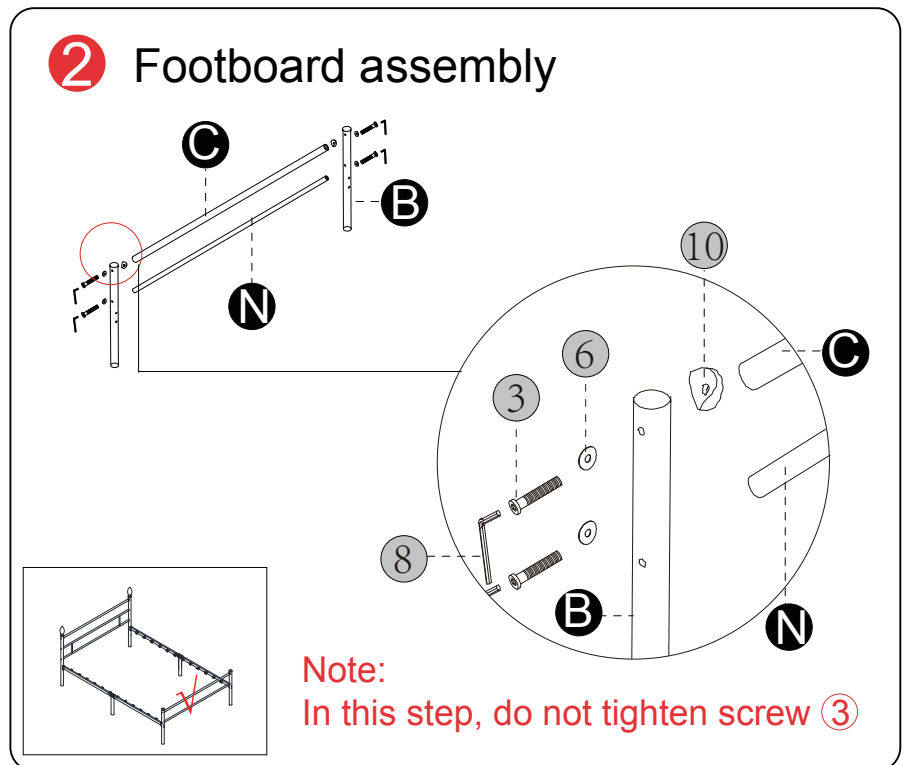
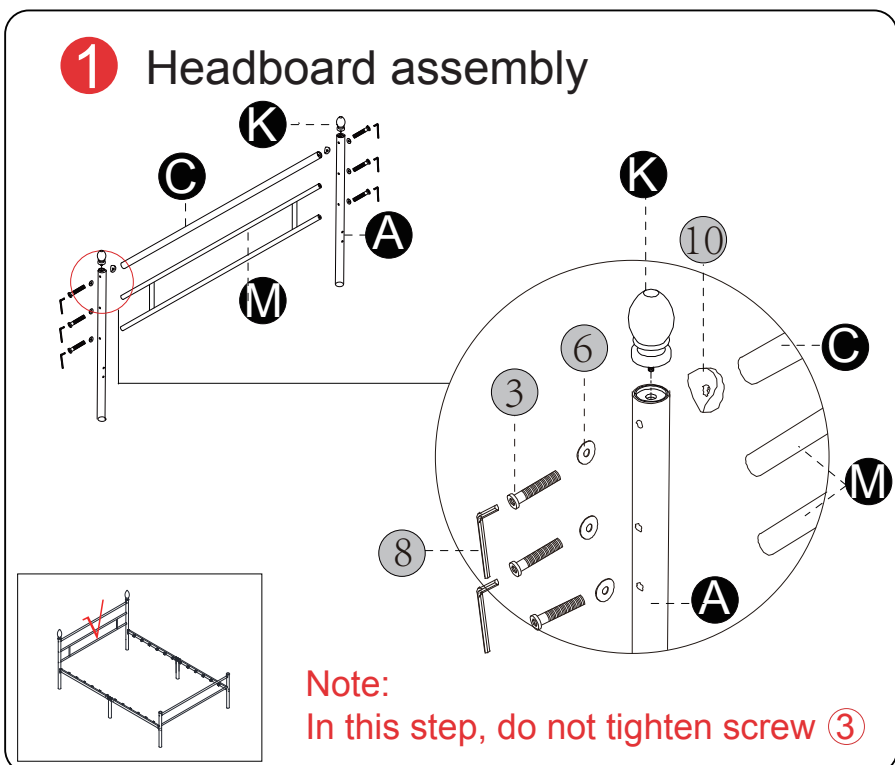


Bed Frame Installation Manual

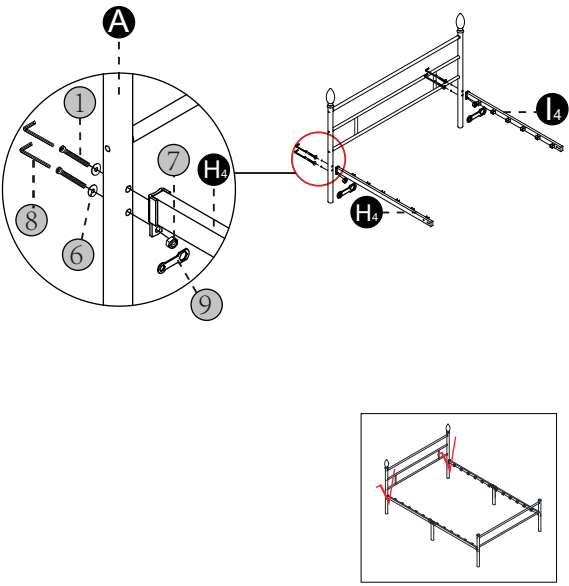


Componets		Screws & Tools	
	A x2	①	M8x50mm x8
	B x2	②	M8x35mm x8
	C x2	③	M6x60mm x10
	D4 x1	④	M6x40mm x4
	E4 x2	⑤	M6x15mm x4
	G x10	⑥	x18
	H4 x2	⑦	M8 x12
	I4 x2	⑧	M5 x1
	K x2	⑨	M13/M10 x1
	N x1	⑩	x4
	M x1		

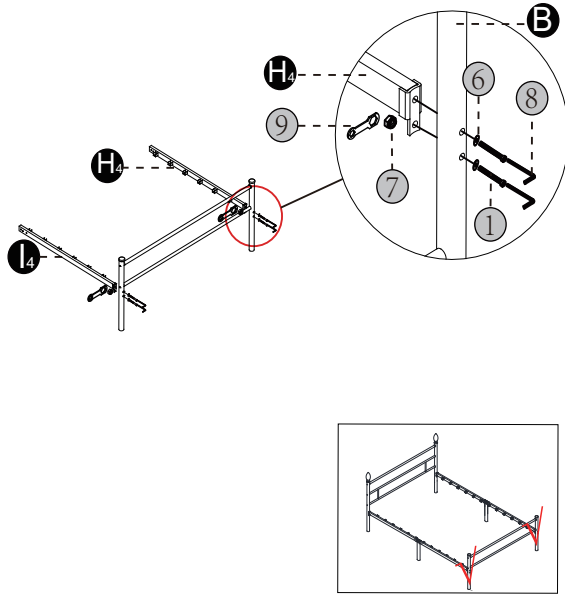
Check all the components & screws before assembly. Do not install in case part is missing.



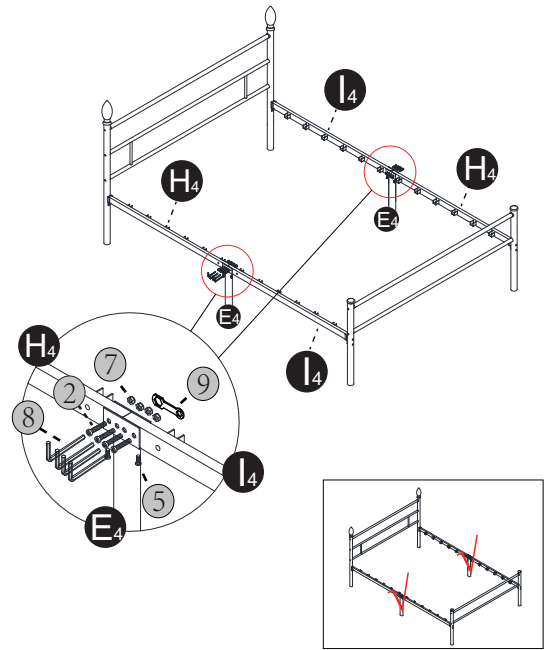
3 Connect **H₄** & **L₄** to headboard



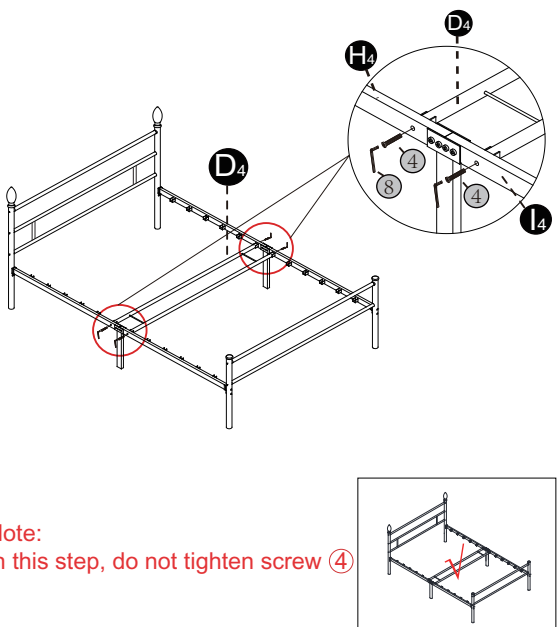
4 Connect **H₄** & **L₄** to footboard



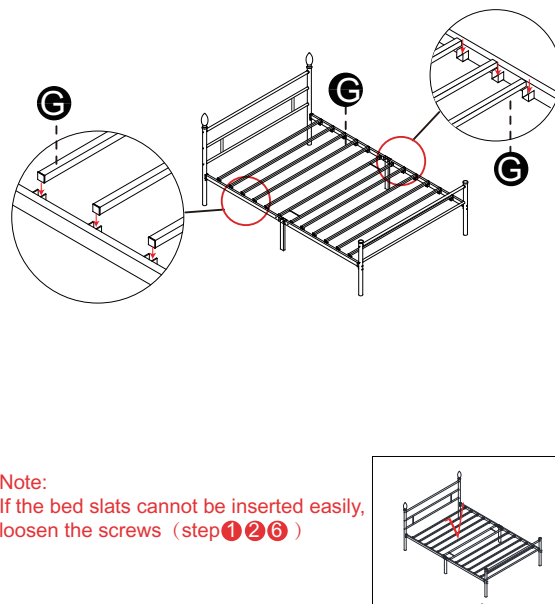
5 Connect **E₄** to **H₄** & **L₄**



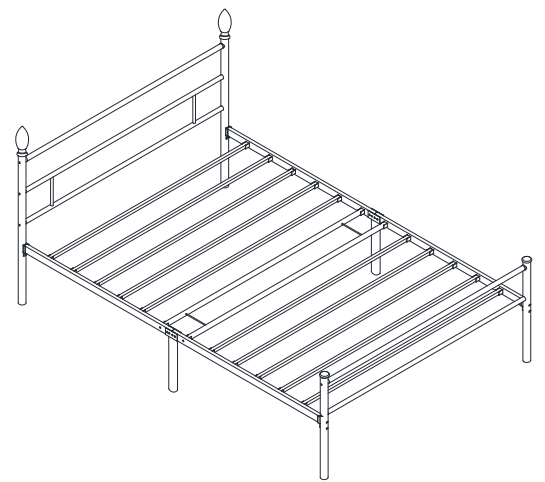
6 Connect **D₄** to **H₄** & **L₄**



7 Assemble bed slats



8 Check and tighten all screws



CAUTIONS!

