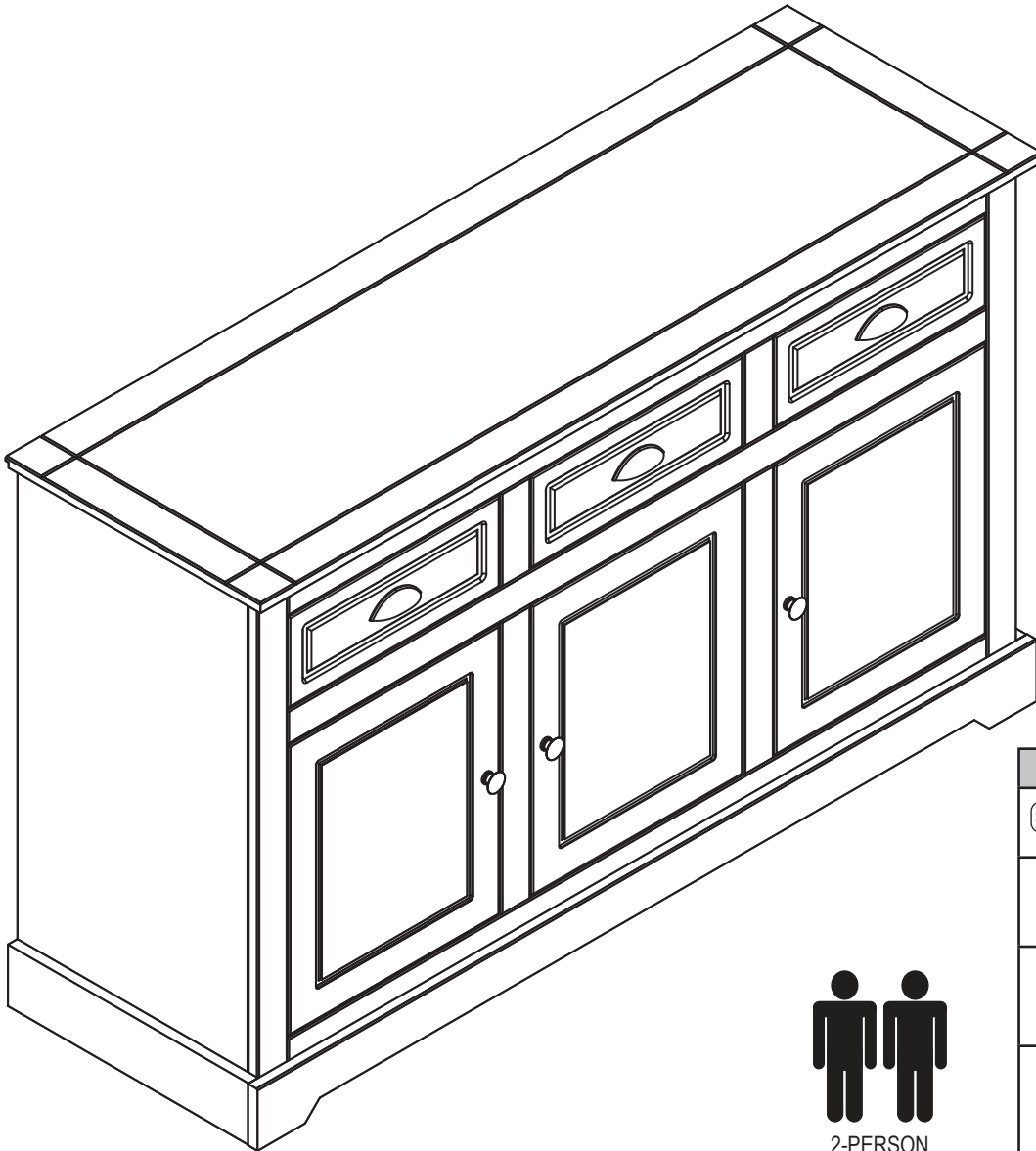




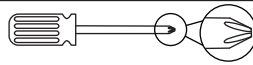
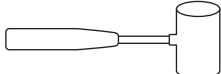
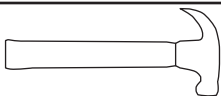

3-DOOR SIDEBOARD CABINET WITH DRAWERS

Carefully review assembly and care instructions before using this product. Save this document for future reference.
Assemble components on a soft, clean surface to avoid scratching or damaging the finish.



 Inspect packaging to ensure all parts are accounted for before disposing of packing materials.
 Save the packing slip.


**2-PERSON
 ASSEMBLY
 RECOMMENDED**

TOOLS REQUIRED (not included)	
	Phillips Screwdriver
	Rubber Mallet
	Hammer
	Power Drill, 6mm Drill Bit, 2mm Drill Bit <i>(only use for installing wall anchor kit)</i>

HELPFUL HINTS

We advise reviewing this manual fully, and assembling the unit soon after purchase.

Check that all parts are accounted for and familiarize yourself with the assembly before beginning.

SAVE THIS MANUAL FOR FUTURE REFERENCE.

INTRODUCTION

Read the manual carefully to ensure you fully understand all use, care, assembly, and safety information.



Read this manual carefully and follow the assembly instructions in the order listed. Pay close attention to assembly drawings.



Regularly clean with a clean microfiber cloth to prevent dust accumulation.



Do not paint the unit.
Do not use abrasive materials or cleaners to clean the furniture.



Indoor use only.
Do not expose the furniture to heat or humidity.



When cleaning nearby the furniture, do not allow contact with water or cleaners as it may deteriorate the furniture.



Do not allow metal components to come in contact with water or cleaners as it may cause rust and staining.



Assemble on a soft, flat, clean, and dry surface.



Use a soft, protective barrier when assembling the furniture.

TIP: Use the box carton as a protective layer to separate and protect the parts from scratches and other damage during assembly.



Do not push or drag furniture as doing so may damage the unit.

Only move furniture when it is empty.

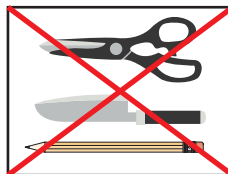


Always ask for help when moving furniture.



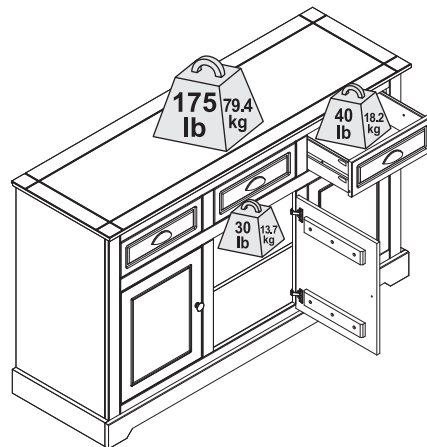
Avoid Accidents - Do not climb, sit or stand on the furniture.

Do not allow children to play on or inside the furniture.



Keep sharp objects away as they may scratch or damage the unit.

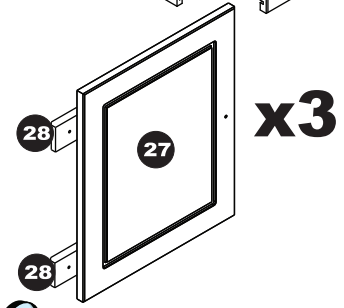
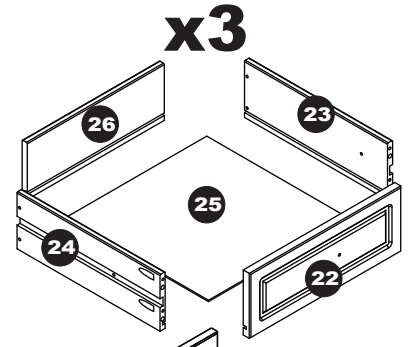
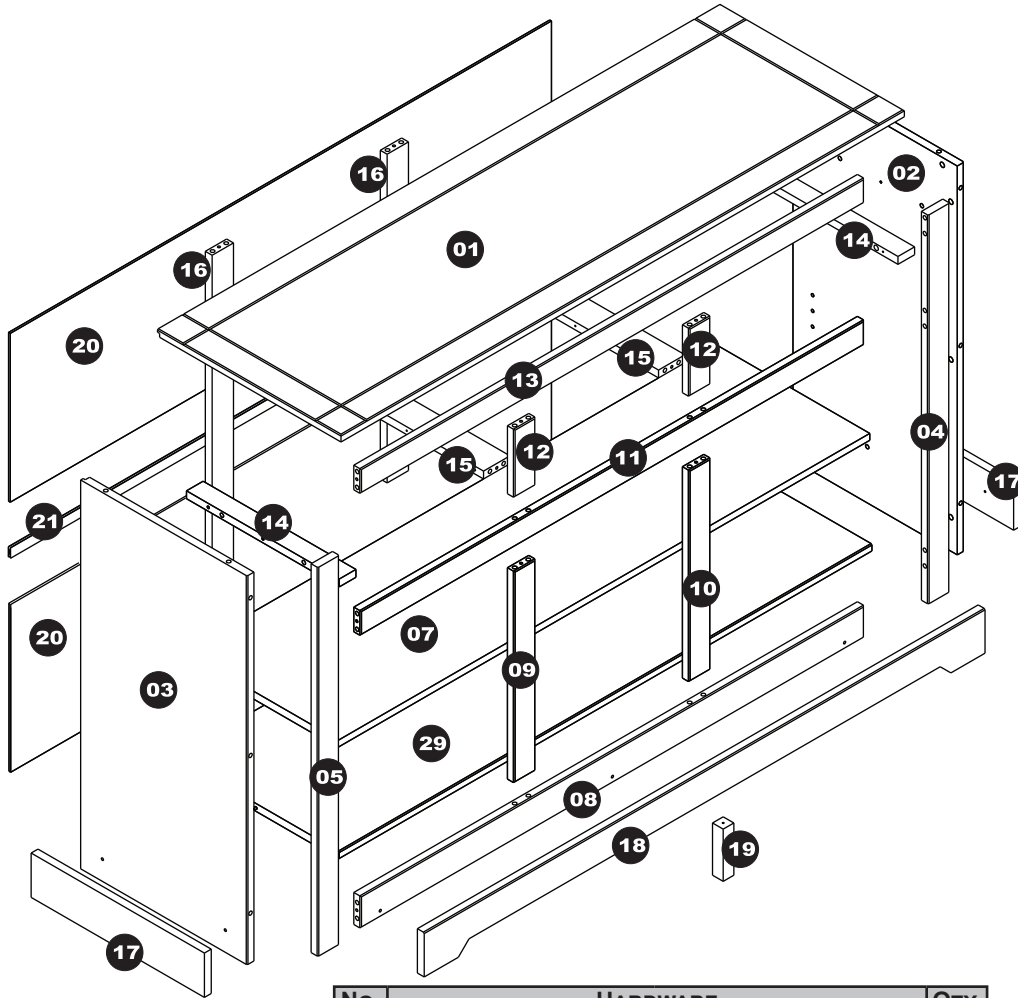
Do not use the furniture as a writing surface without a padded barrier.



! NOTICE:

Manufacturer and seller expressly disclaim any and all liability from personal injury, property damage or loss, whether direct or indirect, or incidental, resulting from the incorrect attachment, improper use, inadequate maintenance, or neglect of this product.

COMPONENTS



Inspect packaging to ensure all parts are accounted for before disposing of packing materials.
 Save the packing slip.

No.	HARDWARE		QTY.
A		Wood Dowel	76
B		M4.5x28mm Pan Screw	43
C		Connector	12
D		Handle	3
E		M3.5x30mm Flat Screw	12
F		Bracket	2
G		M4x40mm Flat Screw	3
H		M4x20mm Bolt	9
J		Knob	3
K		M3.5x14mm Pan Screw	28
L		Shelf Pin	4
M		M3.5x25mm Pan Screw	14
N		M4.5x25mm Pan Screw	24
O		Drawer Slide	6
P		M4x8mm Bolt	6
Q		Hinge Plate	6
R		Hinge	6
S		M4x14mm Flat Screw	18
Y		Wall Anchor Kit	1
Z		8x8mm Nail	30

SEQ.	PART NAME	QTY.
01	Top	1
02	Right Side Panel	1
03	Left Side Panel	1
04	Right Stile	1
05	Left Stile	1
07	Shelf	1
08	Bottom Frame	1
09	Left Cabinet Face Frame	1
10	Right Cabinet Face Frame	1
11	Center Face Frame	1
12	Vertical Drawer Face Frame	2
13	Top Face Frame	1
14	Outside Drawer Rail (L/R)	2
15	Center Drawer Rail	2
16	Back Support	2
17	Side Trim Board (L/R)	2
18	Front Trim Board	1
19	Leg	1
20	Backing Board	2
21	Divider	1
22	Drawer Face	3
23	Right Drawer Side	3
24	Left Drawer Side	3
25	Drawer Bottom	3
26	Drawer Back	3
27	Door	3
28	Door Brace	6
29	Bottom Panel	1



2-PERSON
ASSEMBLY
RECOMMENDED

WARNING CHOKING HAZARD —

This item contains small parts that can be swallowed. Keep children and pets away during assembly.

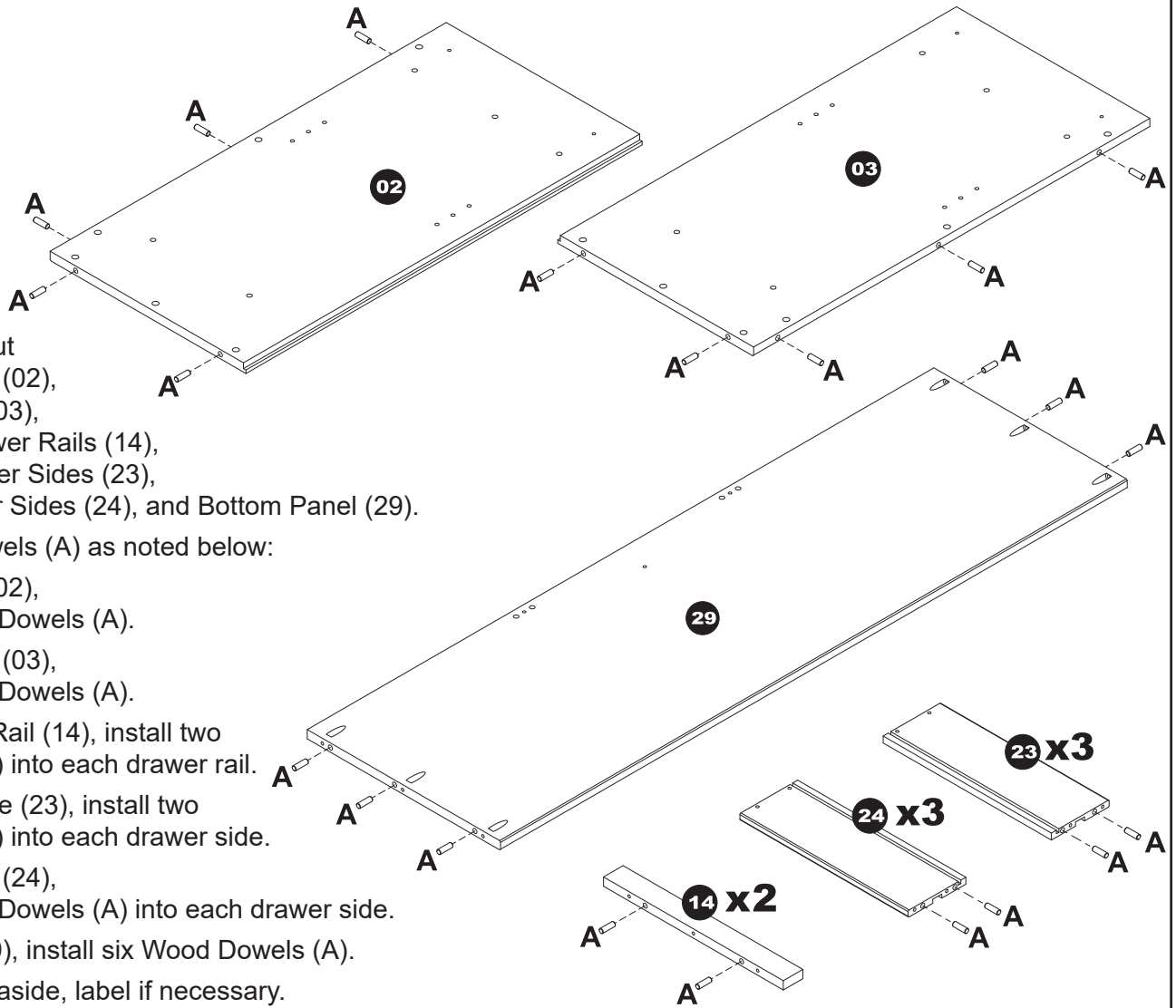
ASSEMBLY

Carefully review all steps and fully understand assembly before beginning.

IMPORTANT: Take care not to over-tighten screws as doing so may crack the wood or strip the screw hole, causing a weak connection and reduced stability.

STEP 1

- 02: 1
- 03: 1
- 14: 2
- 23: 3
- 24: 3
- 29: 1
- A: 32



Locate and lay out Right Side Panel (02), Left Side Panel (03), two Outside Drawer Rails (14), three Right Drawer Sides (23), three Left Drawer Sides (24), and Bottom Panel (29).

Install Wood Dowels (A) as noted below:

Left Side Panel (02), install five Wood Dowels (A).

Right Side Panel (03), install five Wood Dowels (A).

Outside Drawer Rail (14), install two Wood Dowels (A) into each drawer rail.

Right Drawer Side (23), install two Wood Dowels (A) into each drawer side.

Left Drawer Side (24), install two Wood Dowels (A) into each drawer side.

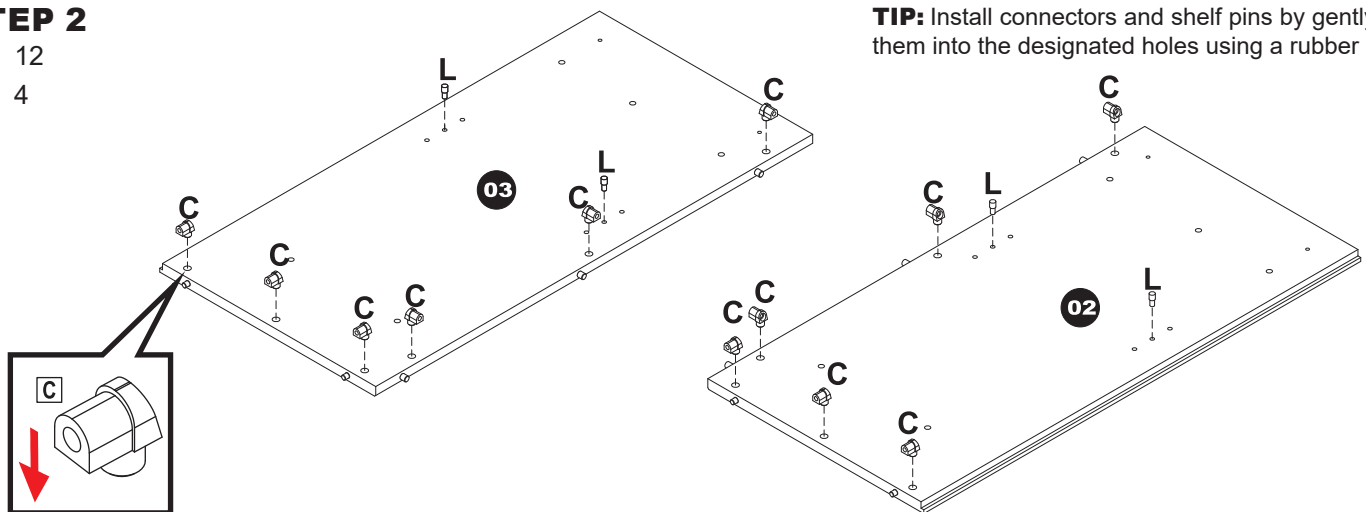
Bottom Panel (29), install six Wood Dowels (A).

Set components aside, label if necessary.

STEP 2

- C: 12
- L: 4

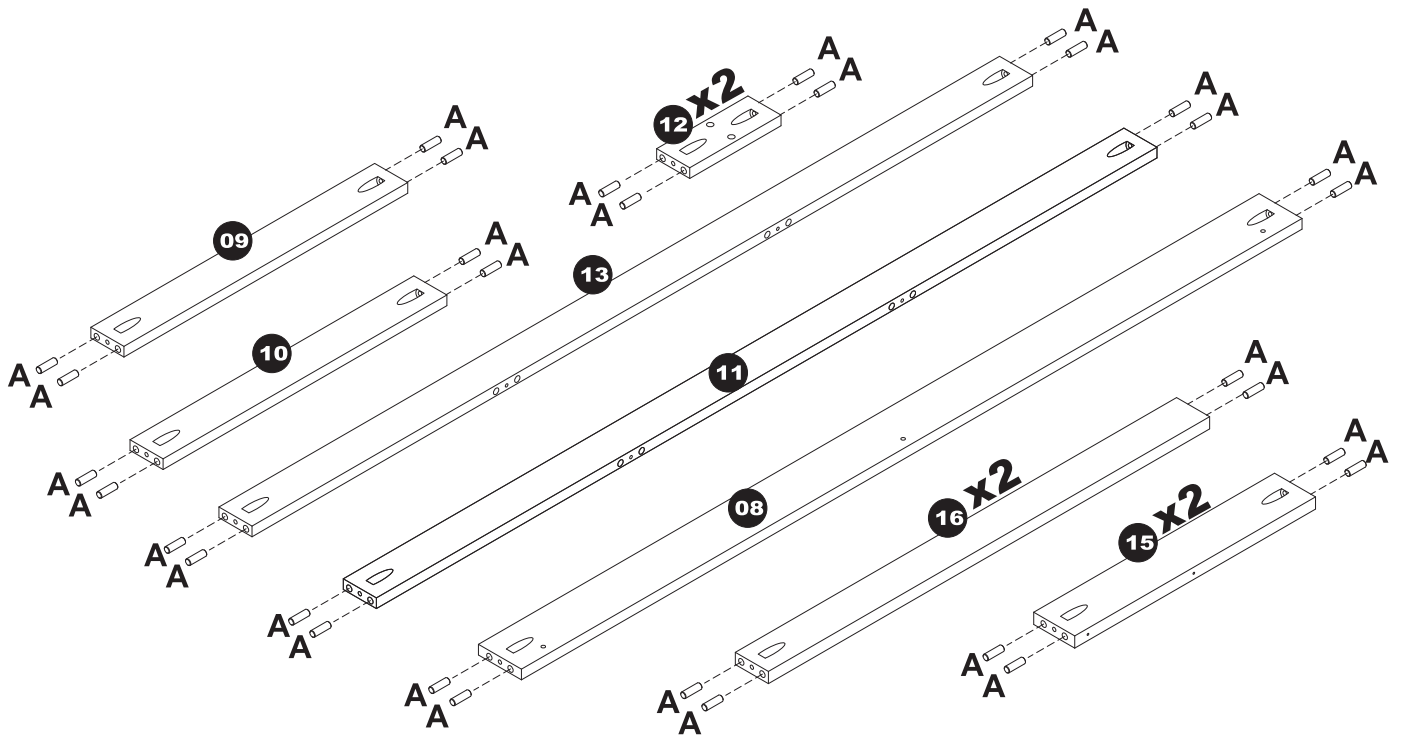
TIP: Install connectors and shelf pins by gently tapping them into the designated holes using a rubber mallet.



With the angled edge toward the inside of the panels, install six Connectors (C) into Right Side Panel (02), and six Connectors (C) into Left Side Panel (03). Then, install two Shelf Pins (L) into each side panel, as shown.

STEP 3

- 08: 1
- 09: 1
- 10: 1
- 11: 1
- 12: 2
- 13: 1
- 15: 2
- 16: 2
- A: 44



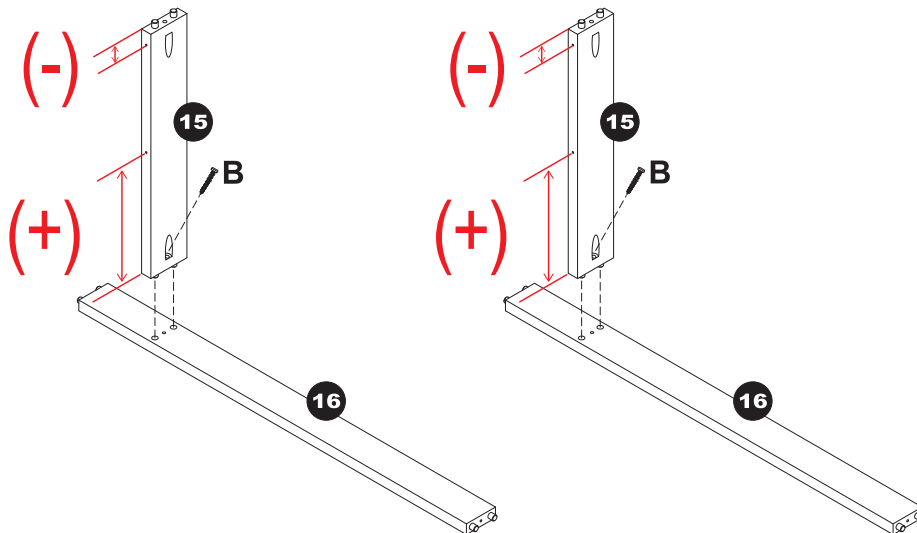
Locate Left Cabinet Bottom Frame (08), Face Frame (09), Right Cabinet Face Frame (10), Center Face Frame (11), two Vertical Drawer Face Frames (12), Top Face Frame (13), two Center Drawer Rails (15), and two Back Supports (16). Install four Wood Dowels (A) into all components, as shown.

STEP 4

- B: 2

IMPORTANT:

Ensure Part 15 is installed in the correct direction, as shown in the diagrams.

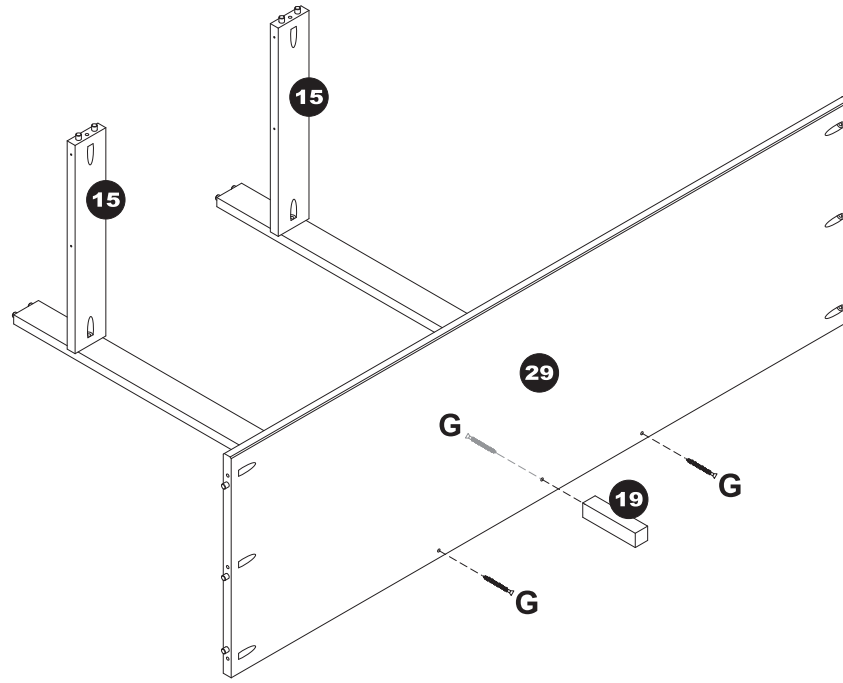


Identify the two indents and the angled pre-drilled holes on Center Drawer Rails (15). Ensuring the indent with the shortest distance from the edge is on top, and the angled pre-drilled holes faces the longer side of the back support, secure Center Drawer Rails (15) onto Back Supports (16) using M4.5x28mm Pan Screws (B).

STEP 5

19: 1

G: 3

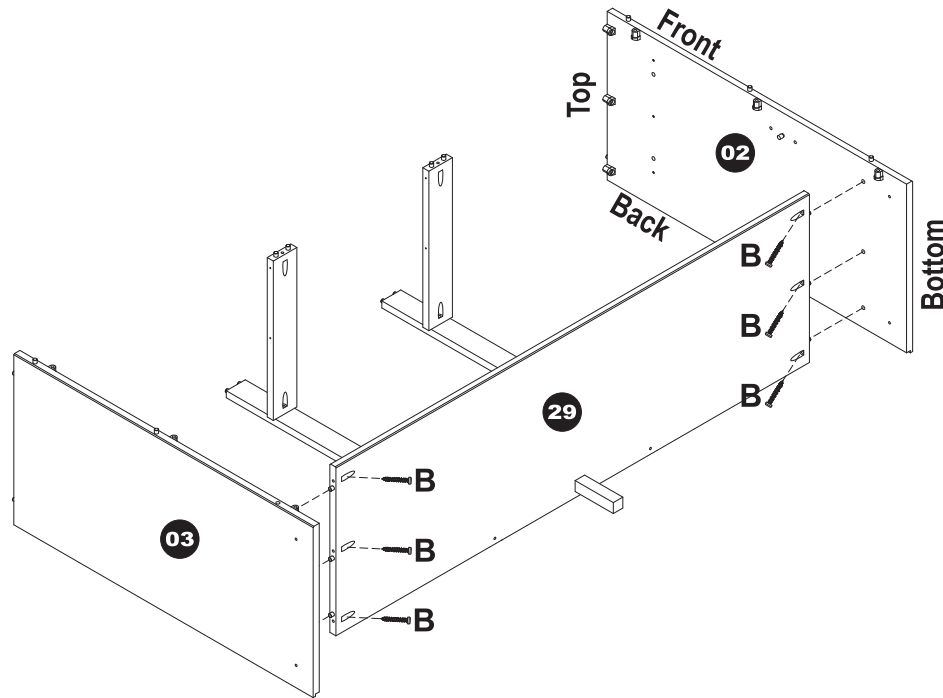


Align the top of Bottom Panel (29) with the back supports, as shown. Secure the bottom panel to each back support using one M4x40mm Flat Screw (G).

Align Leg (19) with the bottom, center of the bottom panel and secure using one M4x40mm Flat Screw (G).

STEP 6

B: 6

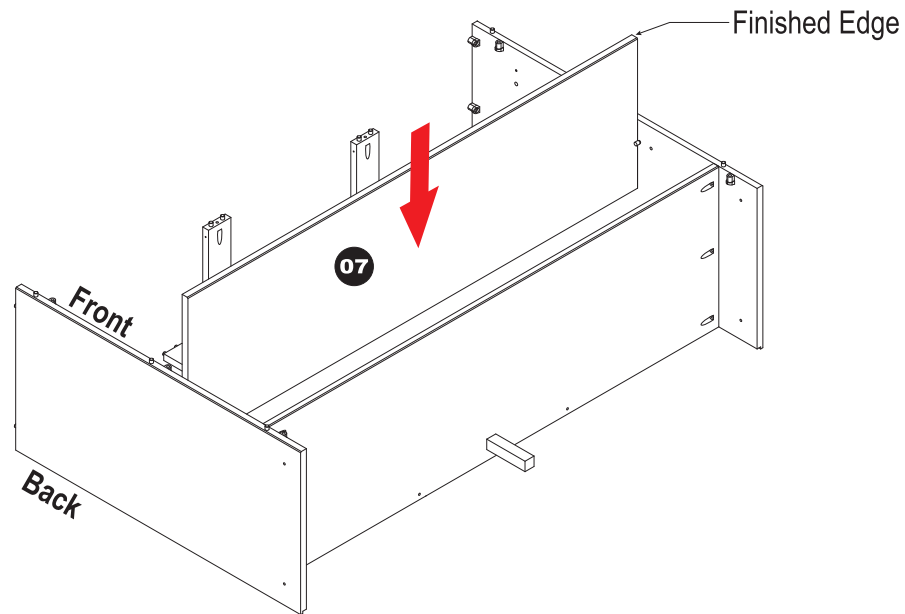


Identify the front, back, top and bottom of Right Side Panel (02) and Left Side Panel (03).

Secure each side panel to the bottom panel using three M4.5x28mm Pan Screws (B).

STEP 7

7: 1



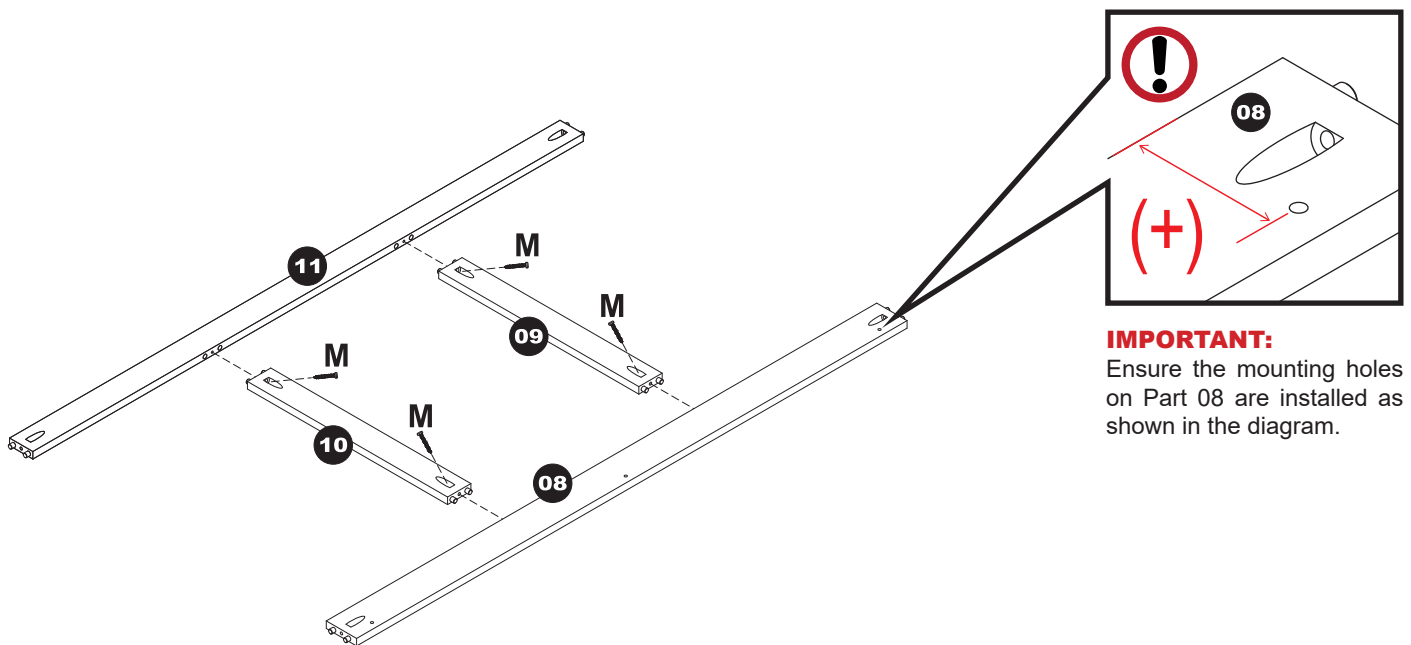
Identify the finished edge of Shelf (07). Slide the shelf into the cabinet, ensuring it is on top of the shelf pins, as shown.

STEP 8

M: 4

IMPORTANT:

Ensure the components are tight against each other before fastening the screws.



IMPORTANT:

Ensure the mounting holes on Part 08 are installed as shown in the diagram.

With the angled mounting holes facing upward, align Bottom Frame (08), Left Cabinet Face Frame (09), Right Cabinet Face Frame (10), and Center Face Frame (11) as shown.

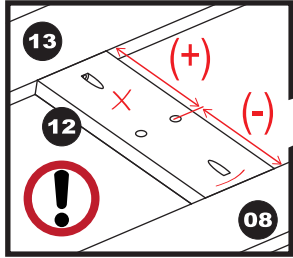
After components are aligned as shown above, secure using four M3.5x25mm Pan Screws (M).

STEP 9

M: 4

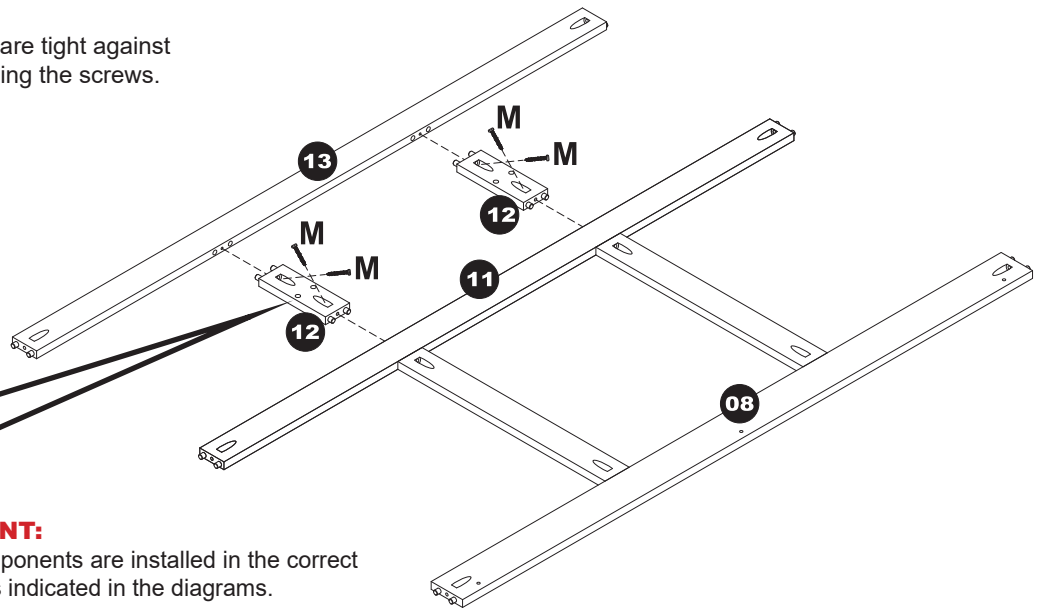
IMPORTANT:

Ensure the components are tight against each other before fastening the screws.



IMPORTANT:

Ensure components are installed in the correct direction, as indicated in the diagrams.



Installation direction is very important in this step.

Identify the longer gap between the dowel mounting holes and the edge of Vertical Drawer Face Frames (12); it is marked with a + and - symbol to indicate there is a lesser and greater distance between the dowel mounting holes and the edges, the plus (+) side must be on top.

With the angled mounting holes facing upward, align two Vertical Drawer Face Frames (12) with Center Face Frame (11) and Top Face Frame (13).

After components are aligned as shown above, secure the components using four M3.5x25mm Pan Screws (M).

STEP 10

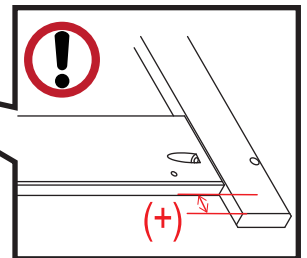
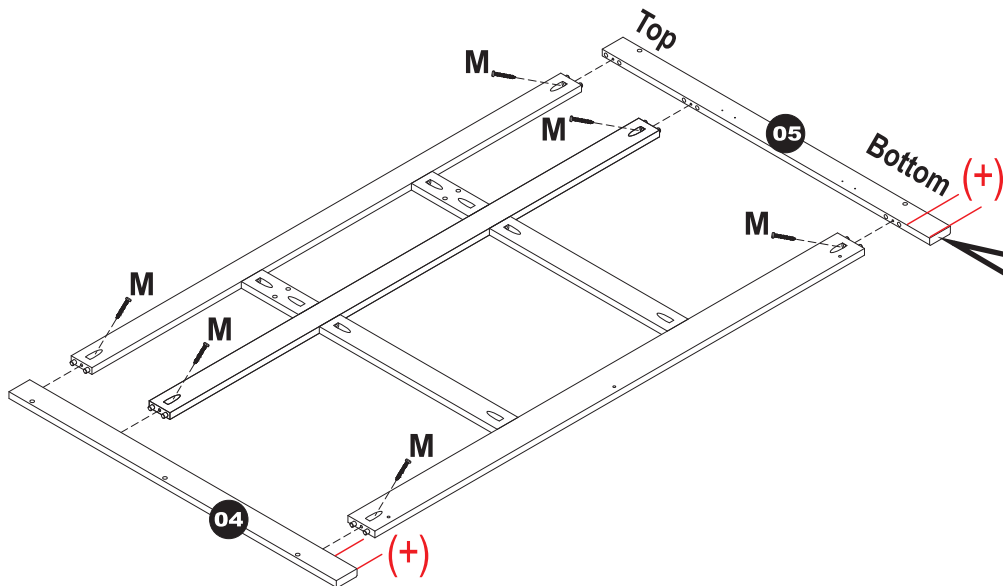
IMPORTANT:

04: 1

Ensure the components are tight against each other before fastening the screws.

05: 1

M: 6



IMPORTANT:

Ensure components are installed as indicated in the drawings.

With the dowel mounting holes facing upward, align Right Stile (04), and Left Stile (05), as shown above.

NOTE: The bottom of the stiles have a gap between the dowel mounting holes and the edge.

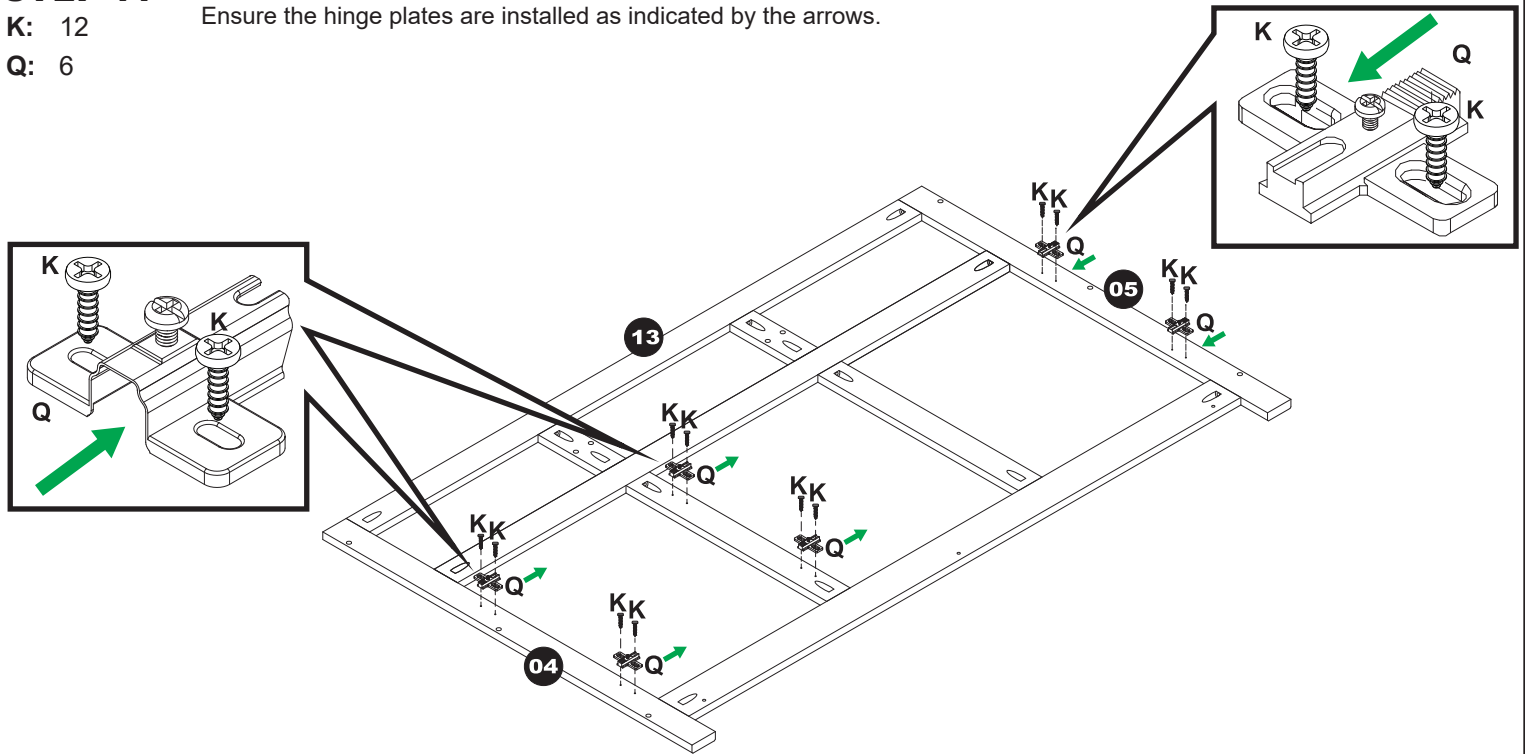
After components are aligned as shown above, use six M3.5x25mm Pan Screws (M) to secure the stiles.

STEP 11**IMPORTANT:**

Ensure the hinge plates are installed as indicated by the arrows.

K: 12

Q: 6

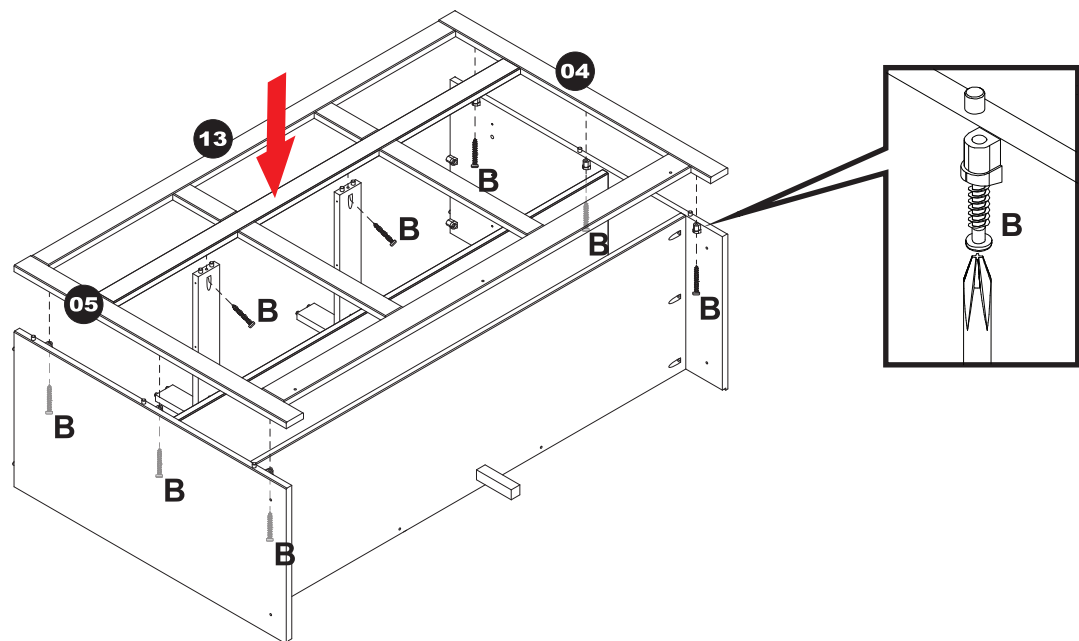


Align six Hinge Plates (Q) with indents on the backside of the front frame, as shown.

Secure each hinge plate using two M3.5x14mm Pan Screws (K).

STEP 12

B: 8



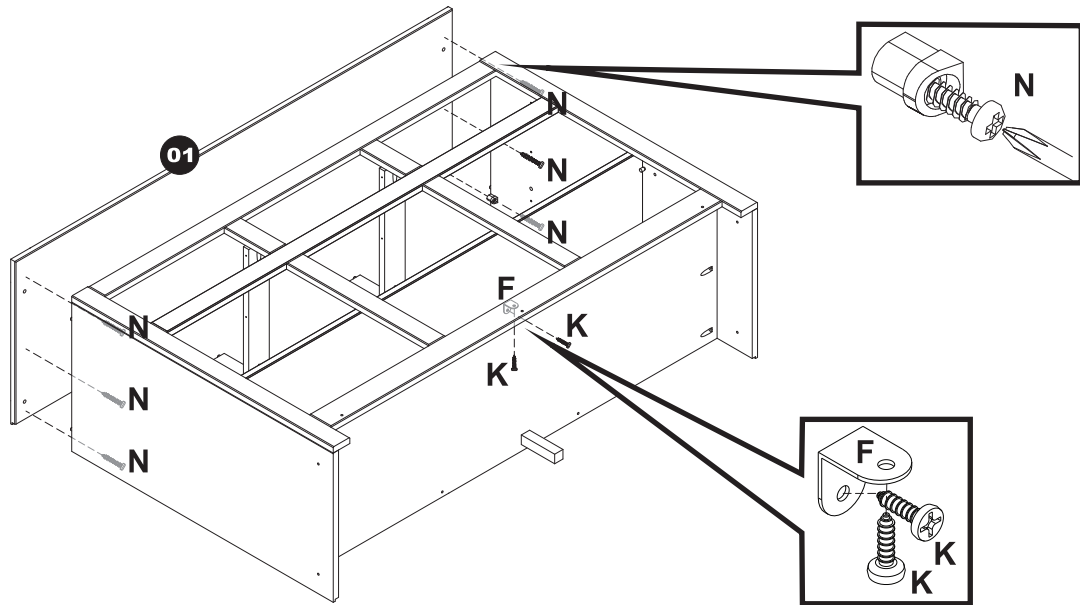
Align the assembled front frame with the cabinet, as shown.

Secure the side panels of the cabinet to the stiles using six M4.5x28mm Pan Screws (B).

Then, secure the center drawer rails to the vertical drawer face frames using two M4.5x28mm Pan Screws (B).

STEP 13

01: 1
F: 1
K: 2
N: 6



On the bottom of the unit, identify the indent on the backside of the bottom frame and the indent in the bottom, center of the bottom panel. Align one Bracket (F) with the indents and secure using two M3.5x14mm Pan Screws (K).

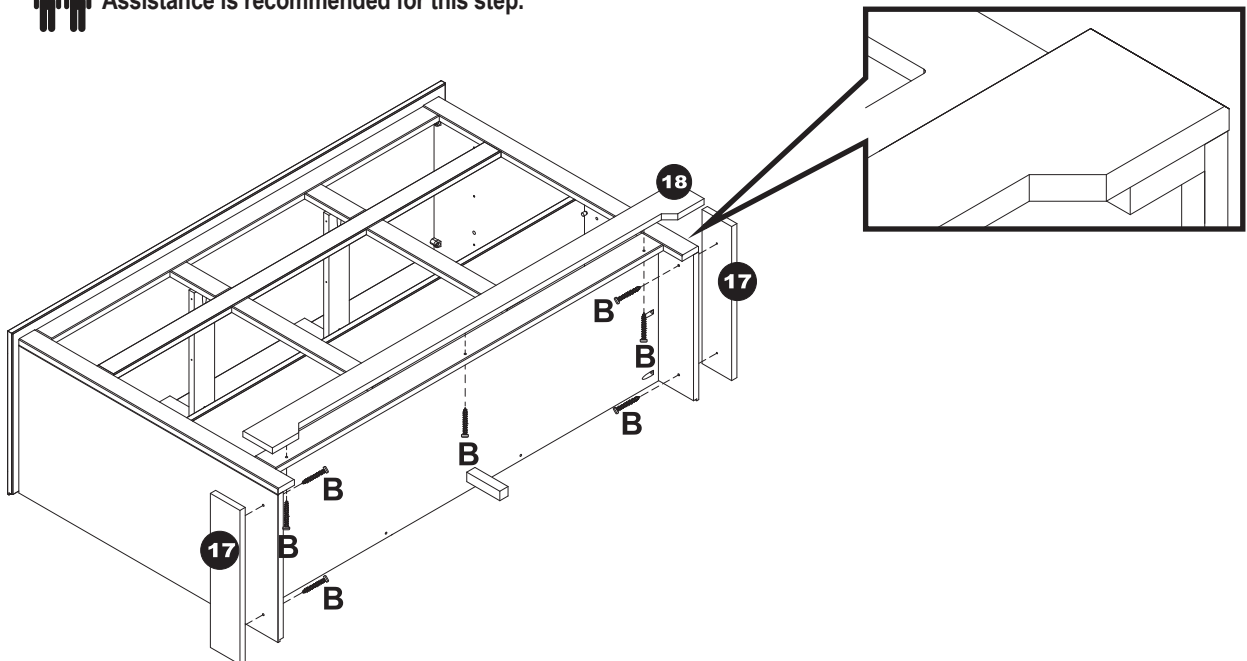
Lay Top (01) on a flat, clean surface. Align the assembled components with the top and secure using six M4.5x25mm Pan Screws (N).

STEP 14

17: 2
18: 1
B: 7



Assistance is recommended for this step.



NOTE: Have an assistant firmly hold the trim boards in place to ensure they remain flush with the unit while hardware is secured.

Align two Side Trim Boards (17) with the bottom of the unit, as shown. From the inside of the side panels, secure each trim board using two M4.5x28mm Pan Screws (B).

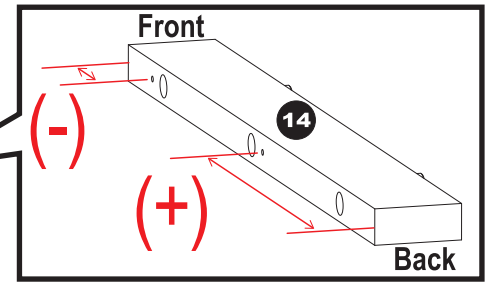
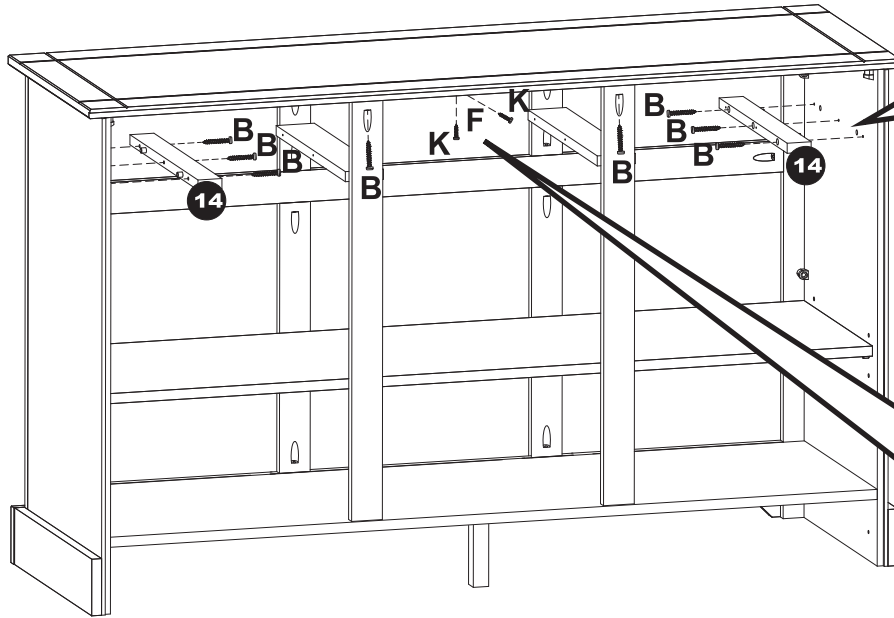
Align Front Trim Board (18) with the bottom of the unit and secure using three M4.5x28mm Pan Screws (B).

STEP 15

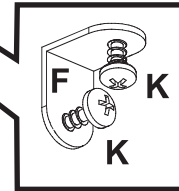
B: 8

F: 1

K: 2



IMPORTANT: Ensure the drawer rails are installed in the correct direction, as indicated in the diagram.



Identify the two indents on Outside Drawer Rails (14), the indent with the shortest distance between the indent and the edge of the rail must be installed toward the front of the cabinet.

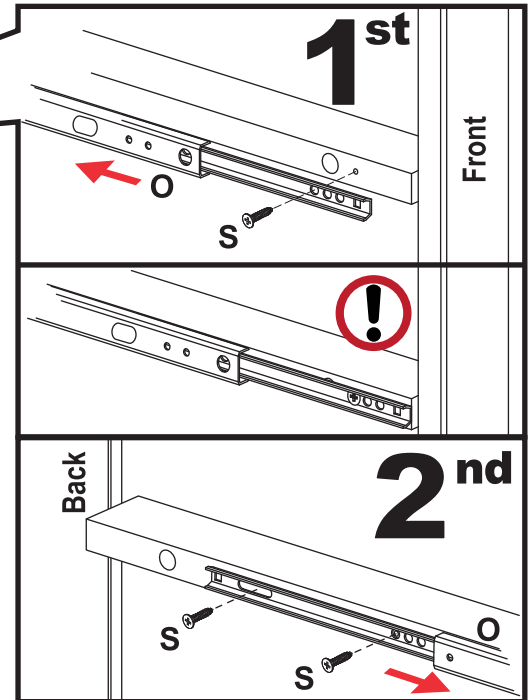
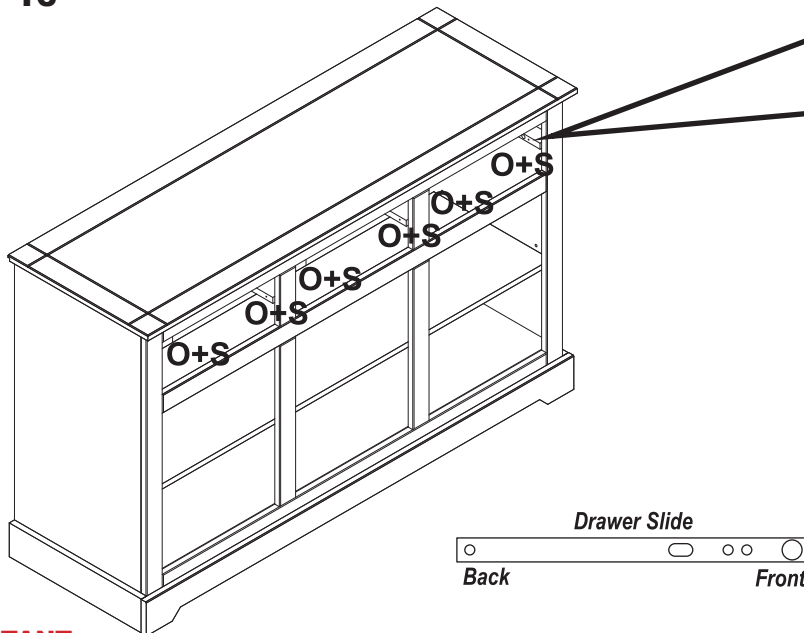
Secure one Drawer Rail (14) to each side of the cabinet using three M4.5x28mm Pan Screws (B) for each rail.

On the underside of the top, identify the indent in the center of the top panel and the indent on the backside of the top face frame. Align one Bracket (F) with the indents and secure using two M3.5x14mm Pan Screws (K).

STEP 16

O: 6

S: 18



IMPORTANT:

Ensure the drawer slide remains centered on the drawer rail; if the slides are not centered, the drawer will be crooked.

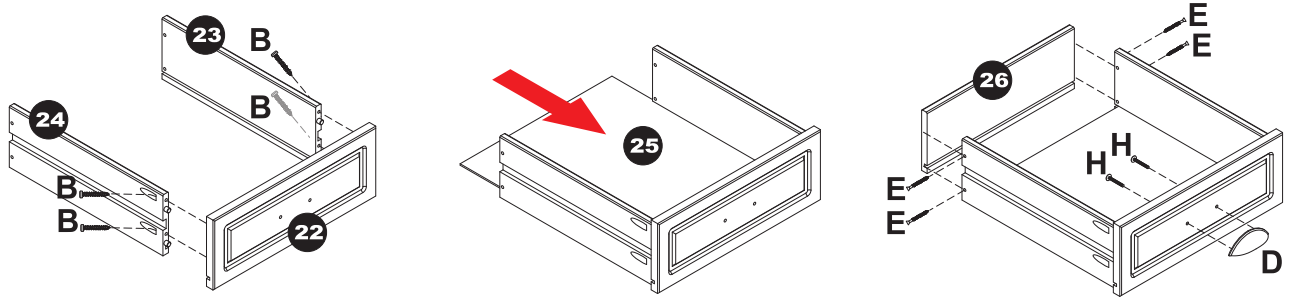
Push the front of Drawer Slide (O) backward. Align the 3rd round hole on the front of the drawer slide with the front indent on the drawer rail and secure using one M4x14mm Flat Screw (S).

Slide the top piece of the drawer slide forward, the backside indent will align with the 1st small round hole on the back of the slide. Ensuring the slide is centered on the drawer rail, secure the 1st small round hole, then secure the oblong hole using two M4x14mm Flat Screws (S), as shown.

Repeat this process to secure the remaining five drawer slides.

STEP 17

22: 3
25: 3
26: 3
B: 12
D: 3
E: 12
H: 6



Ensuring the inside grooves align, secure Right Drawer Side (23) and Left Drawer Side (24) to Drawer Face (22) using four M4.5x38mm Pan Screws (B).

Slide Drawer Bottom (25) into the grooves, as shown.

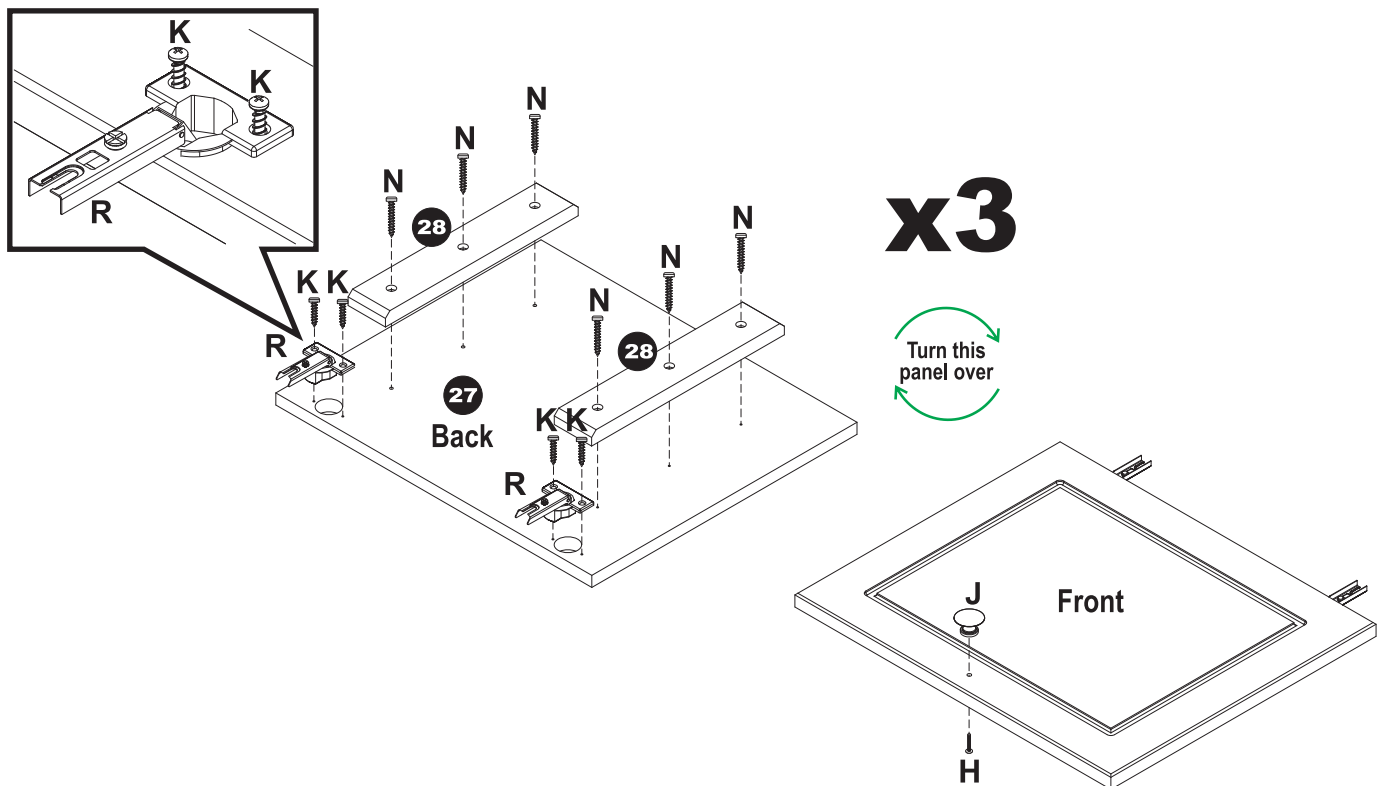
Secure Drawer Back (26) to the drawer sides using four M3.5x30mm Flat Screws (E).

Align Handle (D) with the front of the drawer face and secure using two M4x20mm Bolts (H), as shown.

Repeat this process to assemble the two remaining drawers.

STEP 18

27: 3
28: 6
H: 3
J: 3
K: 12
N: 18
R: 6



Align two Door Braces (28) with the indents on the backside of Door (27) and secure using six M4.5x25mm Pan Screws (N).

Secure two Hinges (R) to the backside of the door using two M3.5x14mm Flat Screws (K).

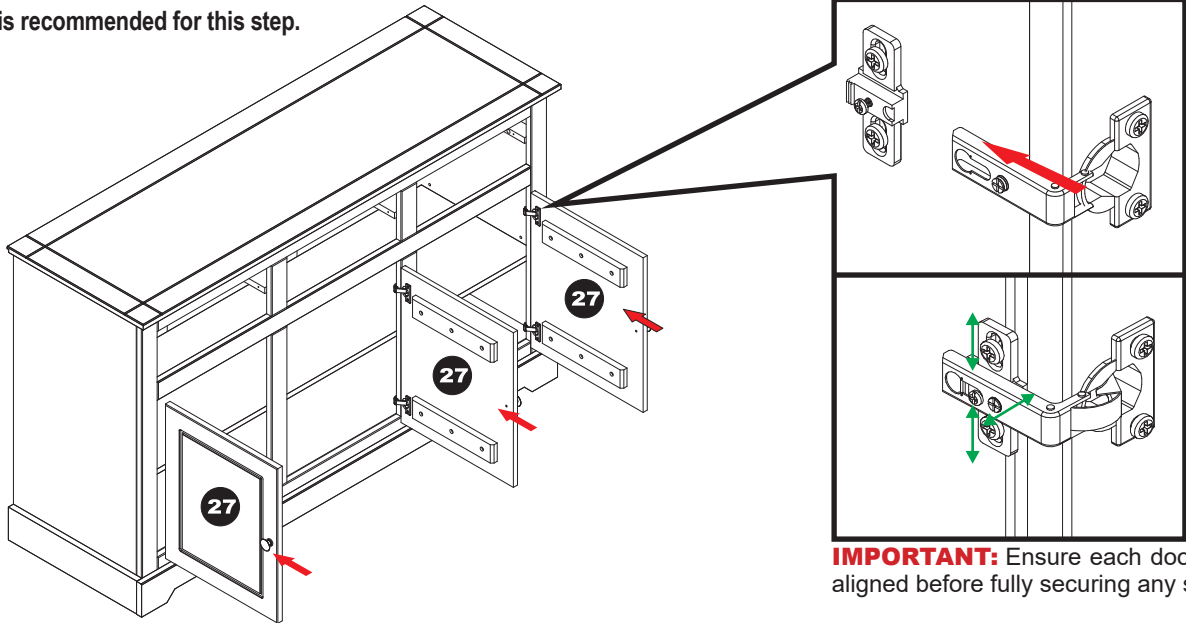
Turn the panel over and install one Knob (J) using one M4x20mm Bolt (H), as shown.

Repeat this step to assemble the two remaining doors.

STEP 19



Assistance is recommended for this step.



IMPORTANT: Ensure each door is properly aligned before fully securing any screws.

HINGE ADJUSTMENT INSTRUCTIONS

Door Installation:

Please note, the cabinet box must be level and plumb for the door to work properly. Under certain conditions, wall surfaces may not be plumb, which results in a slight gap, either at the top or bottom, or between the doors.

Carefully hold the door and slide the hinge onto the hinge plate. Please note, the pin on the hinge slides into the slot of the hinge plate and the slot in the hinge slides under the screw head. Tighten the hinge screw to secure the door to cabinet.

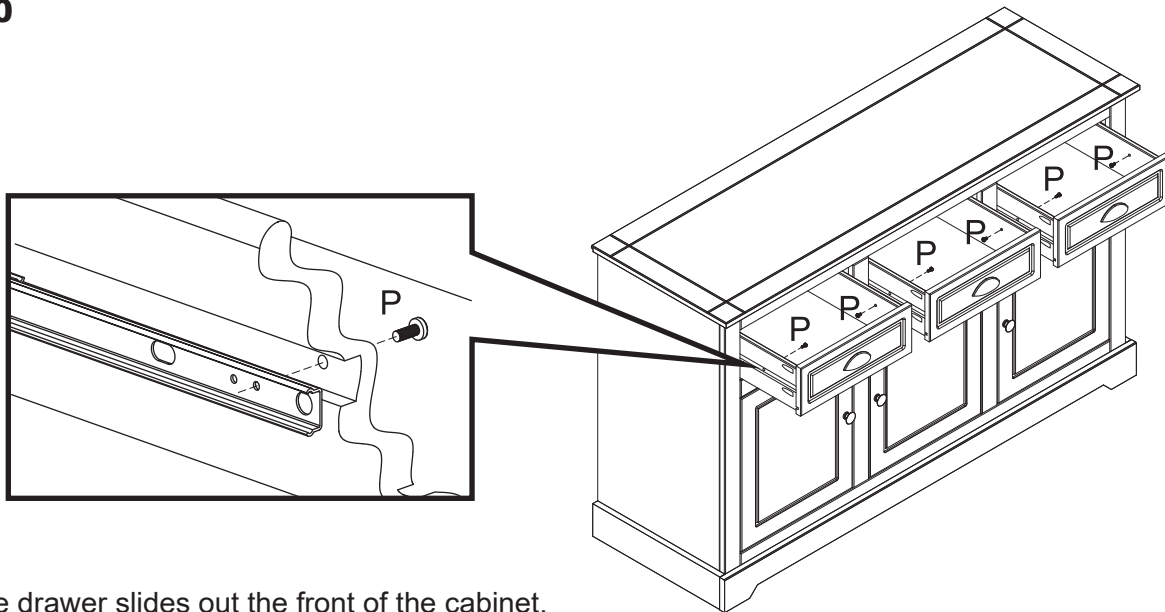
Door Adjustment Procedure:

Please note, care must be taken during hinge adjustment to avoid damage.

Only a slight adjustment is required. Rotate the Door Adjustment screws 1/8 to 1/4 turns at a time, then check the door position. Rotate adjustment screws as necessary until doors are properly aligned.

STEP 20

P: 6



Extend the drawer slides out the front of the cabinet.

Align the first small hole on the drawer slides with the pre-drilled hole on the front of the drawer sides.

From the inside of the drawer, secure the drawer to the slide using M4x8mm Bolt (P), as shown.

Repeat to secure the other side of the drawer to the other slide.

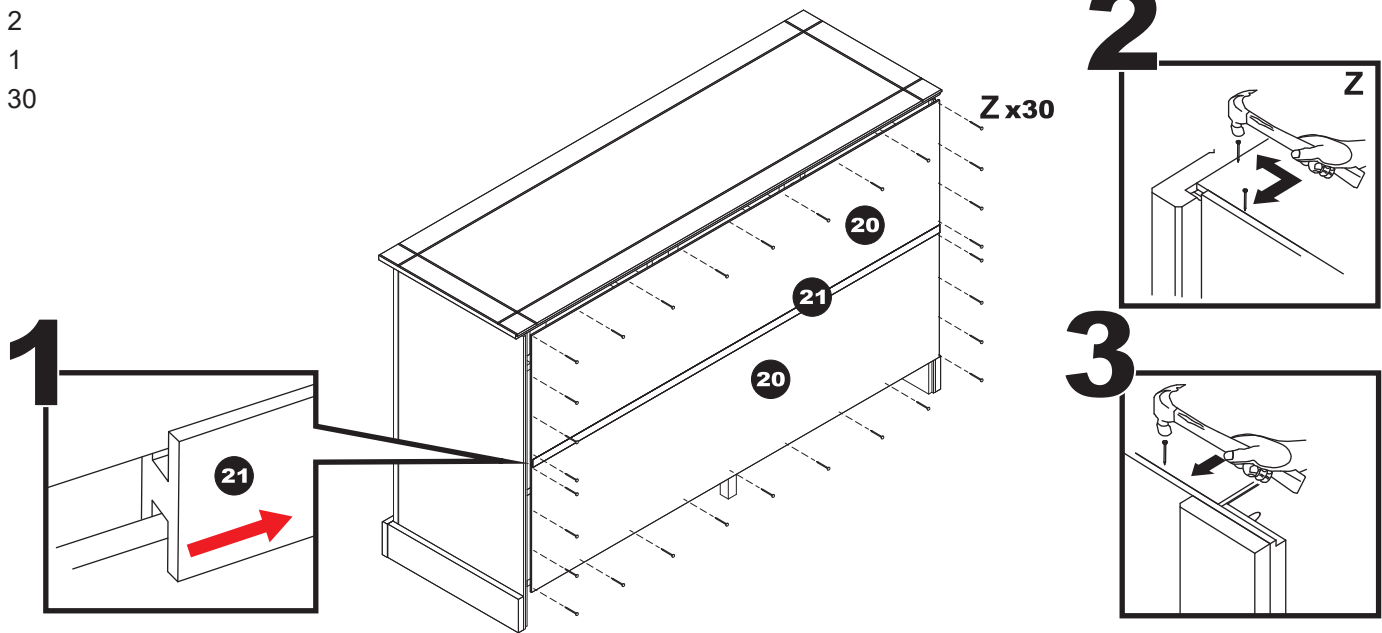
Repeat this process to install the remaining two drawers.

STEP 21

20: 2

21: 1

Z: 30



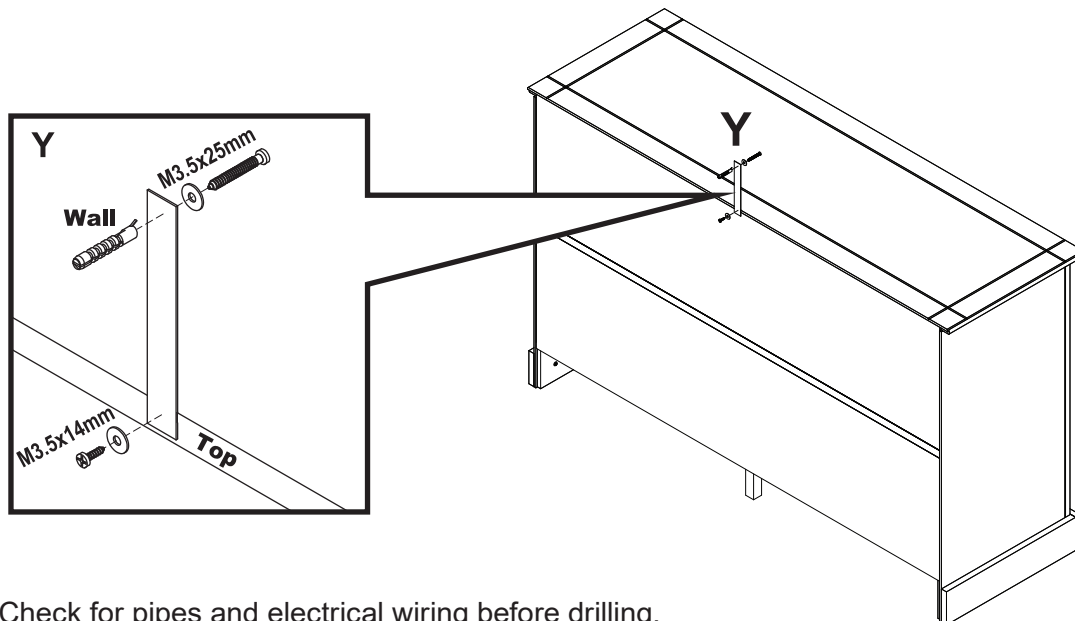
Gently lay the unit face-down on a soft, clean surface.

Place two Backing Boards (20) on the back of the unit and slide Divider (21) between them.

Ensure the backing boards are snug within the lips of the top and side panels. Then, secure the backing board using thirty 8x8mm Nails (Z).

STEP 22

Y: 1



WARNING: Check for pipes and electrical wiring before drilling.

IMPORTANT: If walls are not solid like brick, stone or concrete, you will require special fittings (not included). When in doubt, consult a professional.

Carefully measure the location of pilot hole before drilling and installing the unit.

- Place wall mounting strap against the wall and mark the position for drilling the hole.
- Using a power drill with a 6mm bit, drill a hole to 30mm depth. If the wall is softer, using a 5mm bit is recommended.
- Insert the wall anchor into the hole until the opening is flush with the wall.
- Secure the strap to the wall using the 25mm screw and washer.
- Use a 2mm drill bit to pre-drill a small pilot hole on the back of the furniture top. Secure the other end of the strap to the furniture using the 14mm screw and washer.

SAFETY STATEMENTS & WARNINGS

- Residential use only. Not for commercial or industrial use.
- For indoor use only.
- Ensure fittings are tight before use. Periodically check fitting to ensure they are tight.
- Only use this unit on a flat, level surface.
- Do not sit, stand or climb on the unit.
- Supervise children; never allow children to climb or sit on this unit as it may tip over and cause serious injury.
- Do not place liquids or hot items directly on the furniture.
- Never use chemical cleaning products or polishes as they may damage the finish.
- Do not exceed the weight capacity of the furniture.
- Do not overload the drawers as doing so may cause damage.
- Do not overload the shelves as doing so may cause them to sag.
- Do not place the unit in direct sunlight.
- Avoid placing unit near heating or cooling vents as forced air is very drying and can damage the unit.
- Do not write on furniture without a padded barrier to protect the surface.

Any modification to the product or failure to follow recommended care will void the product warranty.

If you experience issues with assembly or the product was damaged during shipping, please contact our customer service team directly through one of the methods mentioned at the top of page 1.

Please have the item number and order information ready to expedite response time.

NOTICE:

Manufacturer and seller expressly disclaim any and all liability from personal injury, property damage or loss, whether direct or indirect, or incidental, resulting from the incorrect attachment, improper use, inadequate maintenance, or neglect of this product.