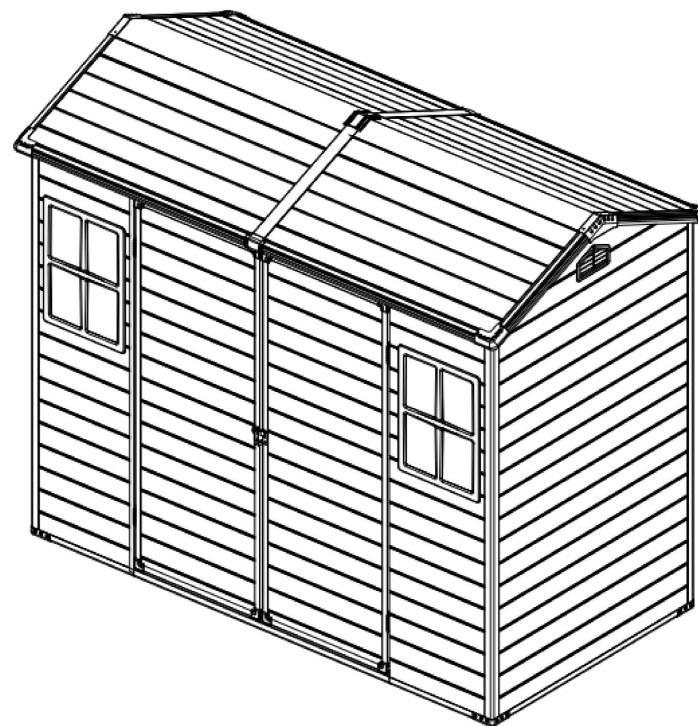


Resin Garden Shed

OWNER'S MANUAL

Instructions for Assembly

SLD-B48-V3



2024-07-06

Requires three people and take 3-4 hours for installation.
Quick & Easy assembly. Ridge Reinforced Walls.
Available in Various Sizes.

BEFORE YOU START

Owner's Manual

Prior to installation, it is important that you contact your local government authority to determine if building approval is required. Study and understand this owner's manual. Important information and helpful tips will make your construction easier and more enjoyable.

Assembly instructions

Instructions are supplied in this manual and contain all appropriate information for your building model. Review all instructions before you begin. During assembly, follow the step sequence carefully for correct results .Please be aware: **this unit takes two people about one full day to complete.**

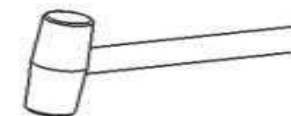
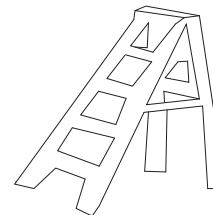
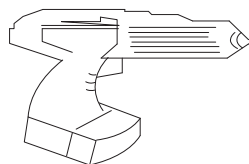
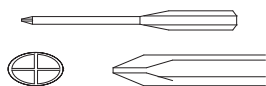
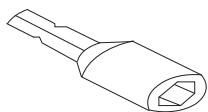
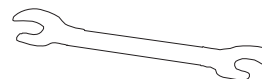
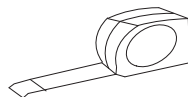
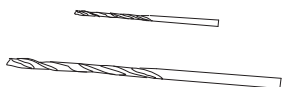
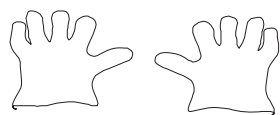
Parts

Check to be sure that you have all the necessary parts for the building.

Separate contents of the carton by the part number while reviewing parts list.

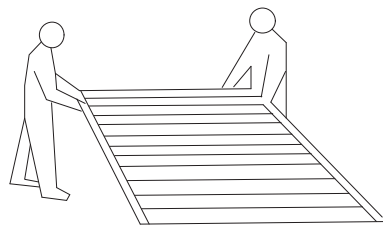
Familiarize yourself with the hardware and fasteners for easier use during construction. These are packaged within the carton. Note that extra fasteners have been supplied for your convenience.

TOOLS MAY REQUIRED



Use heavy duty gloves when handling steel sheets and flashing

PLAN AHEAD



Watch the weather:

Please be sure the day you select for installation is dry and calm.

DO NOT attempt to assemble your shed in windy weather because of risk of damage to panels, or personal injury. Be careful of wet or muddy ground.

Teamwork:

Whenever possible, two or more people should work together to assemble the building. One person can position parts or panels

PLAN AHEAD

Site Selection

- Avoid overhanging trees as much as possible as leaves will make regular cleaning necessary and broken branches are a potential hazard.
- Small trees, bushes or fences nearby can be helpful, acting as a wind break.

If a concrete pad is made, it is important that this slopes towards the edges to prevent water ingress. Time must be allowed for any concrete or cement to dry before building the shed on top.

Site Preparation




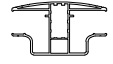


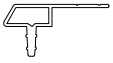
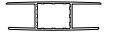


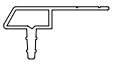
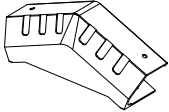


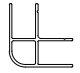
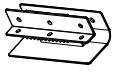


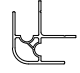
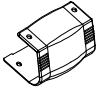


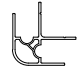
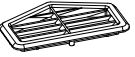


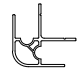


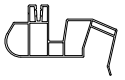


The site must be prepared so that the base of the shed is level all round and checking with a spirit level is required.

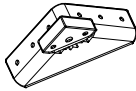

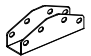
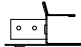
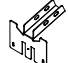
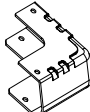
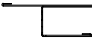
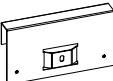
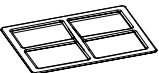
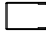
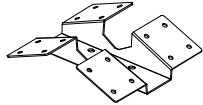
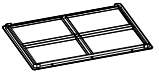

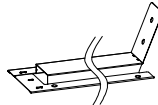


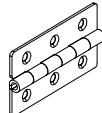
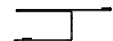
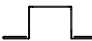
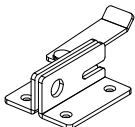
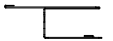


The base can be constructed by treated timber or concrete, in order to stop the moisture getting into the shed. **The shed is not designed to be built onto lawn directly.** Also the ground will get muddy during rainy days.

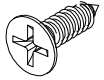

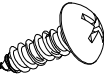



Bases can also be constructed from bricks, blocks, or mounted on a concrete pad. The bricks or blocks should be cemented onto firm and level concrete footings and the greenhouse frame drilled and screwed to the base.

IMPORTANT NOTES:

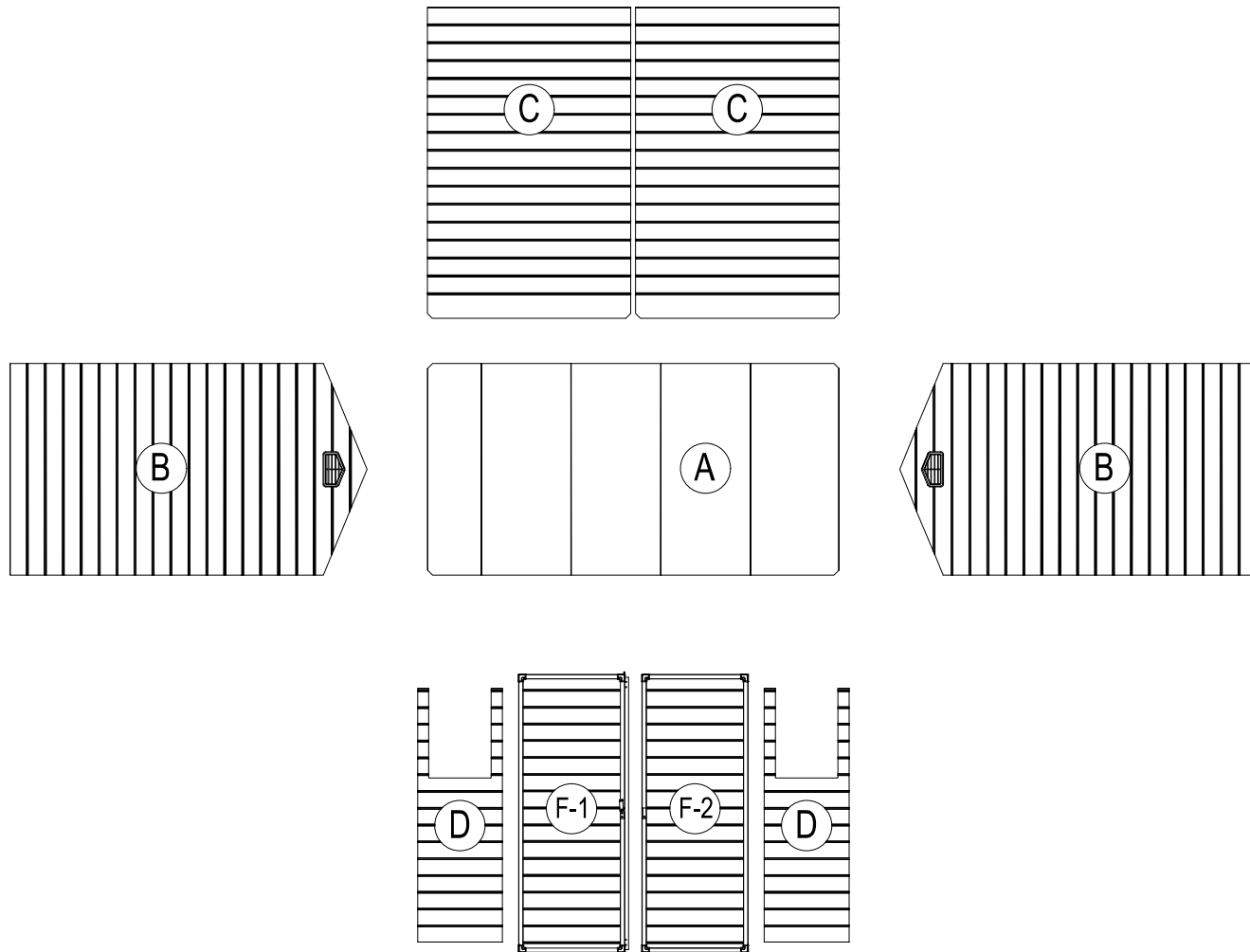
- Find someone to help you: it is much easier with someone to hold parts, pass tools ect. Also some steps require two people to lift structures together. This is not very heavy work so would suit most able-bodied people.
- Allow plenty of time: rushing often causes errors and the re-doing of incorrect assemblies. If you have never built a shed before, it can take most of a day to carefully complete the construction.
- Have the right tools to hand.
- Safety clothing as recommended in the 'Tools' section.
- Ideally lay out the parts and check that all are present before commencing construction. Lay on cloths or plastic sheets if there is any risk of scratching the parts.
- Tighten all nuts carefully, being sure not to miss any. Check the frame is square and using a spirit level to check that it is upright.

B48-C01		x 1	B68-C03		x 2	B48-C06		x 4	B48-C11		x 2
B48-C02		x 13	B68-C04		x 4	A86-C17		x 4	B68-C12		x 1
B48-C03		x 1	B48-C04		x 2	B48-C07		x 4	A64-C29		x 2
A64-C04		x 8	B68-C06		x 2	B68-C08		x 4	A64-C30		x 1
A64-C05		x 2	B68-C07		x 6	B48-C08		x 2	A64-C31		x 2
B68-C01L		x 1	A86-C12		x 2	B48-C09		x 2	A64-C32		x 2
B68-C01R		x 1	B48-C05		x 4	B48-C10		x 2	A64-C33		x 2
B68-C02		x 2	A86-C15		x 4	B68-A05		x 1	A64-C34		x 1

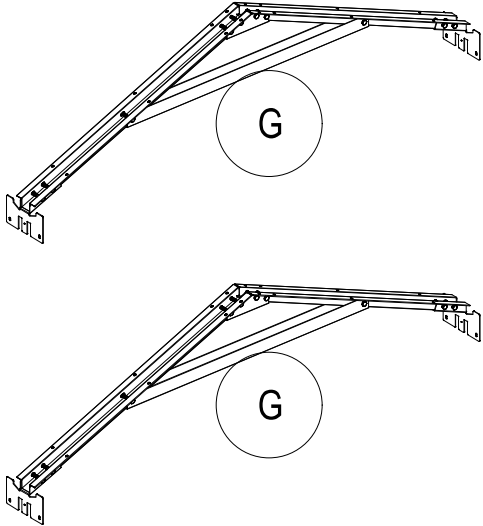
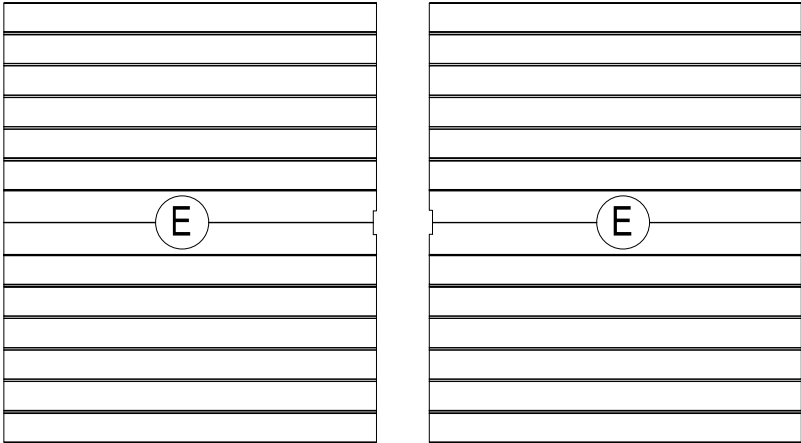
F35-C27		x 4	A64-A02		x 2	A64-A10		x 2		
F35-C29		x 8	B68-A03		x 1	A64-A11		x 4		
F35-C30		x 4	A86-A03		x 1	A64-A12		x 4		
F35-C31		x 2	A64-A05		x 1	A64-A13		x 1		
F35-C32		x 2	A64-A06		x 4	B68-A04		x 1		
F35-C33		x 2	B48-A01		x 2	A64-A15		x 4		
B68-A01		x 1	B48-A02		x 2	F35-D02		x 1		
B68-A02		x 1	A64-A09		x 2	A86-D01		x 2		

E01		x 36	E11		x 4				
E02		x 375							
E03		x 28							
E04		x 5							
E07		x 4							
E12		x 28							
E08		x 20							
E09		x 20							

Pre-installed Exploded View I

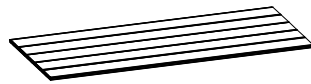


Pre-installed Exploded View II





B48-C01 x1



B48-C02 x3



B48-C03 x1

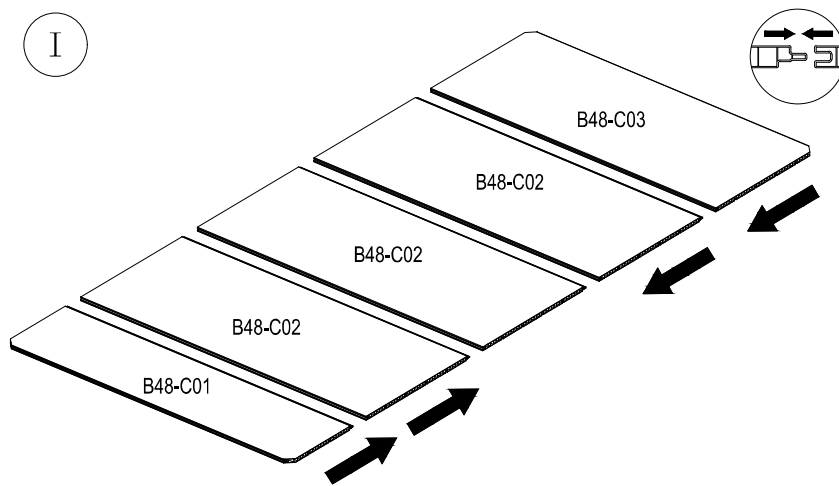


(ST4.2x12)
E02x8

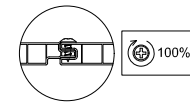
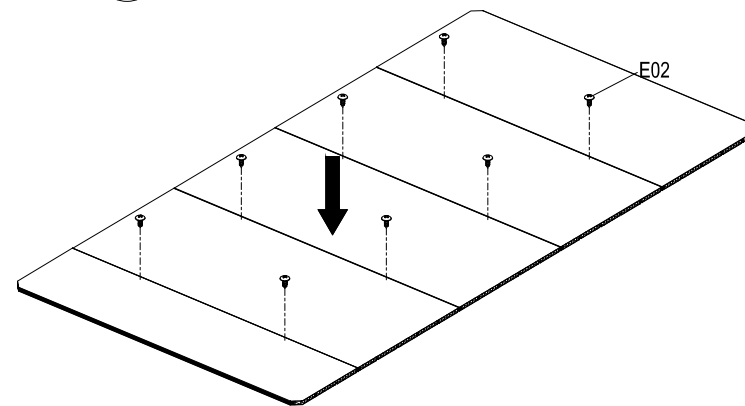
Pre-installed Basement

A

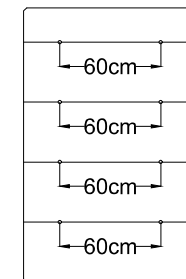
I



II



100%





B48-C02 x6



B48-C04 x2



A64-C32 x2



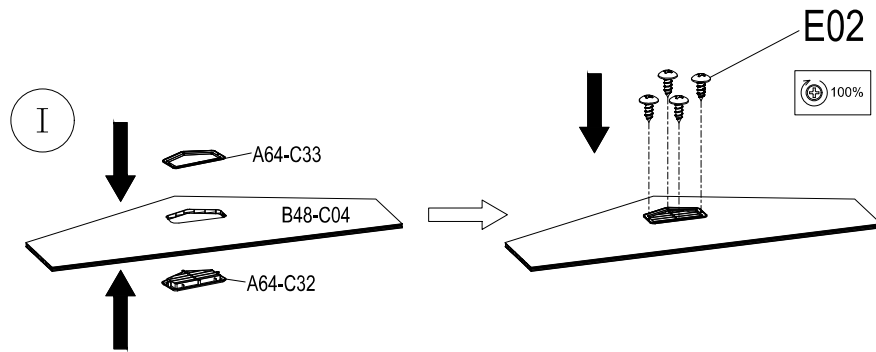
A64-C33 x2



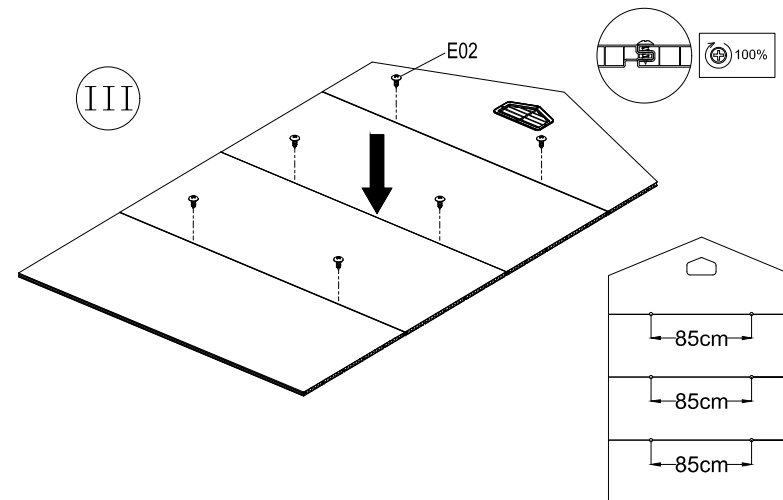
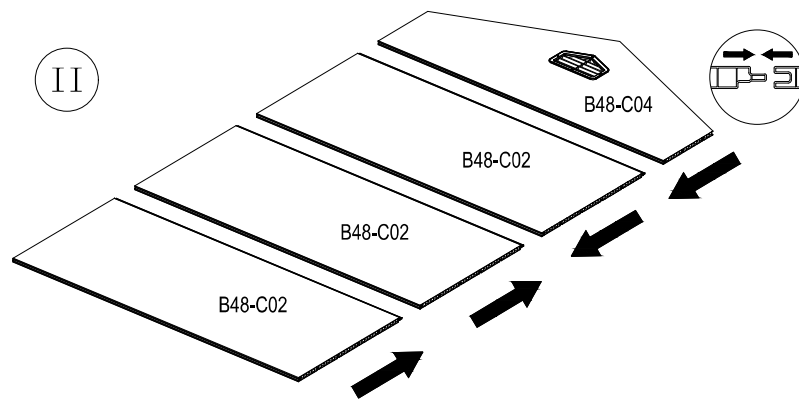
(ST4.2x12)
E02x20

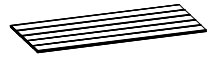
Pre-installed Side wall

B



x2

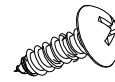




B68-C07 x6



B68-C06 x2

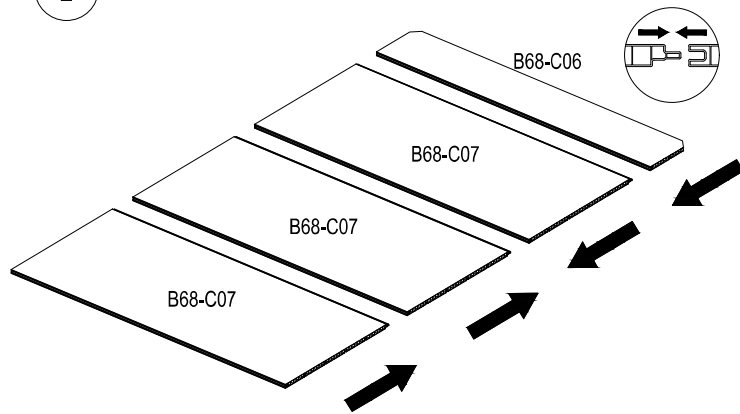


(ST4.2x12)
E02x12

Pre-installed Back wall

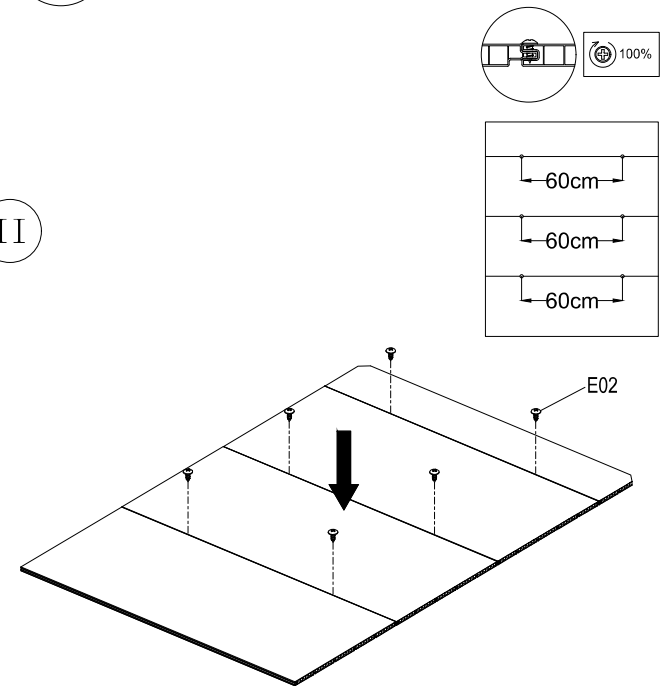
C

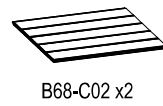
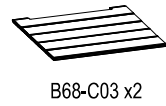
I



x2

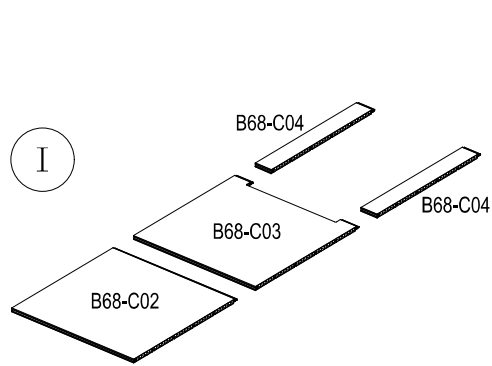
II





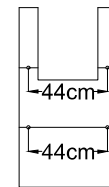
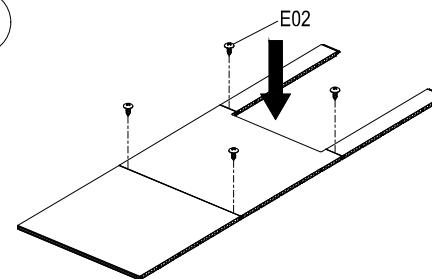
Pre-installed Front wall

D



x2

II





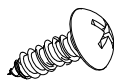
B48-C05 x4



B48-C02 x4



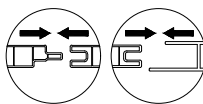
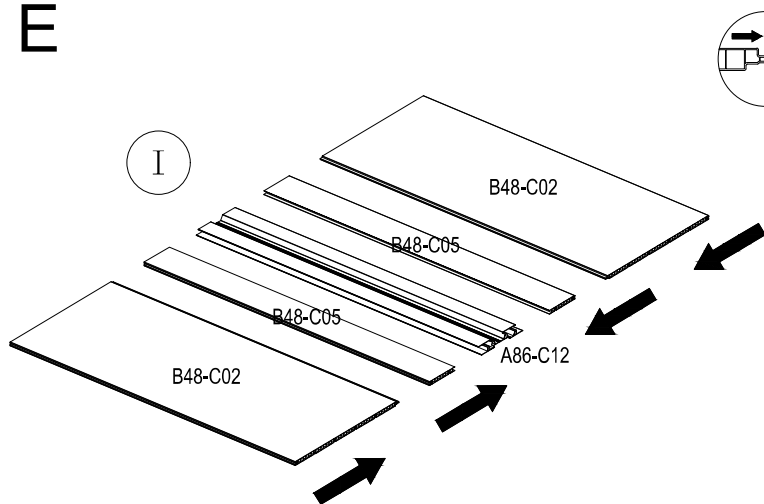
A86-C12 x2



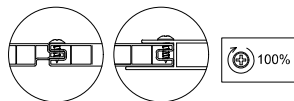
(ST4,2x12)
E02x16

Pre-installed Roof

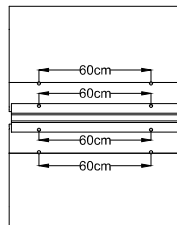
E



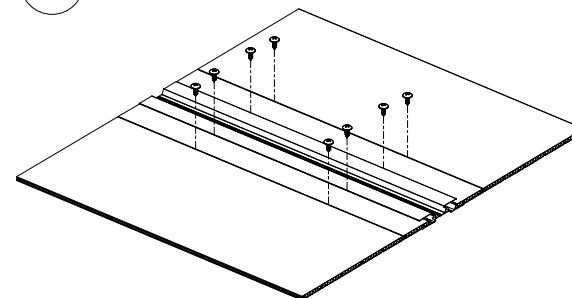
x2

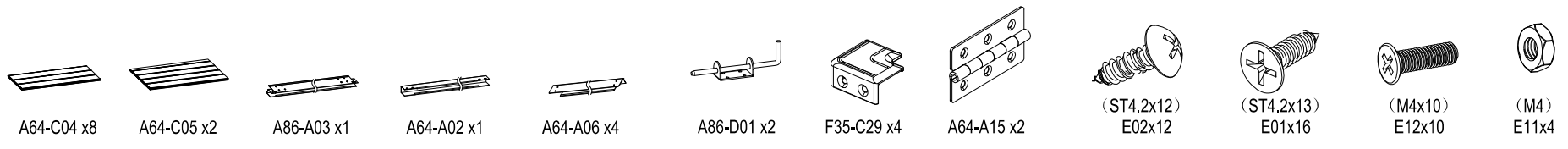


100%

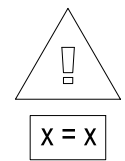
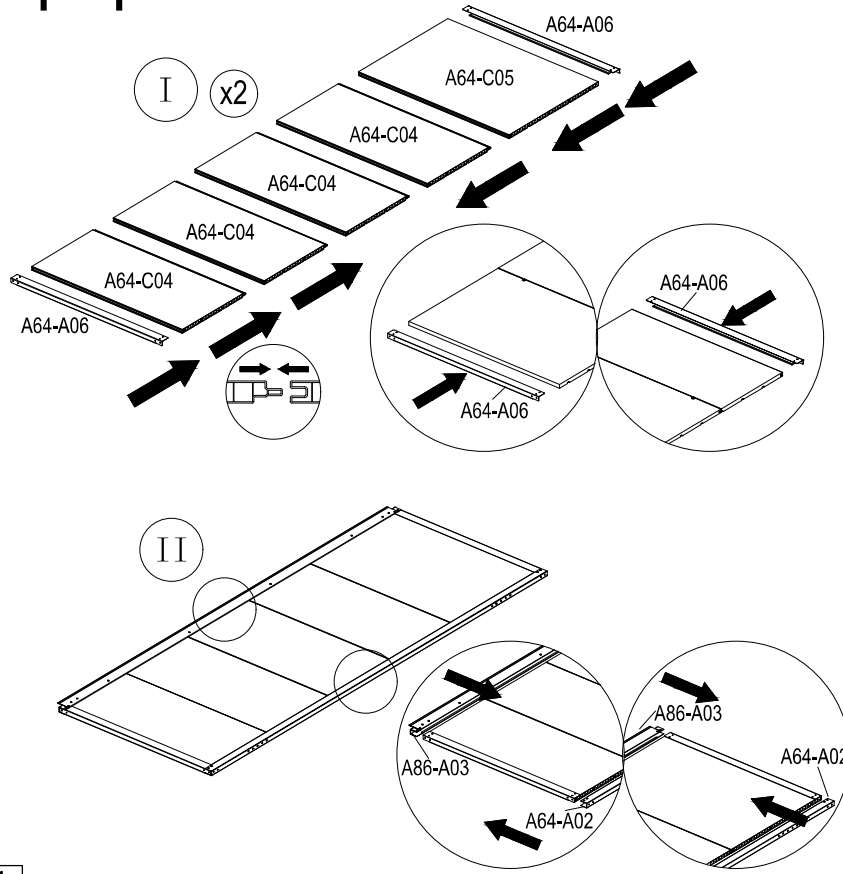


II

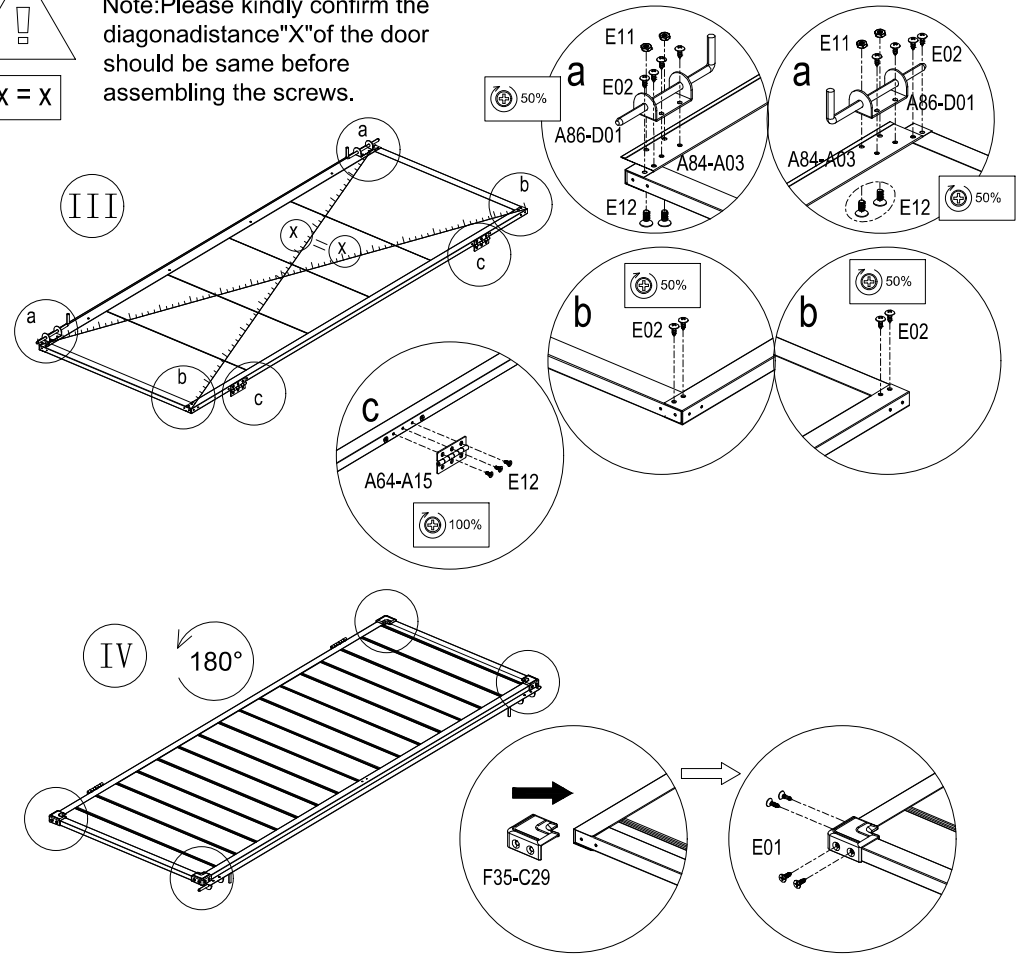




Pre-installed Door F-1



Note: Please kindly confirm the diagonadistance "X" of the door should be same before assembling the screws.





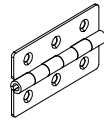
A64-A05 x1



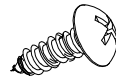
A64-A02 x1



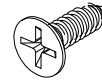
F35-C29 x4



A64-A15 x2



(ST4.2x12)
E02x8



(ST4.2x13)
E01x16

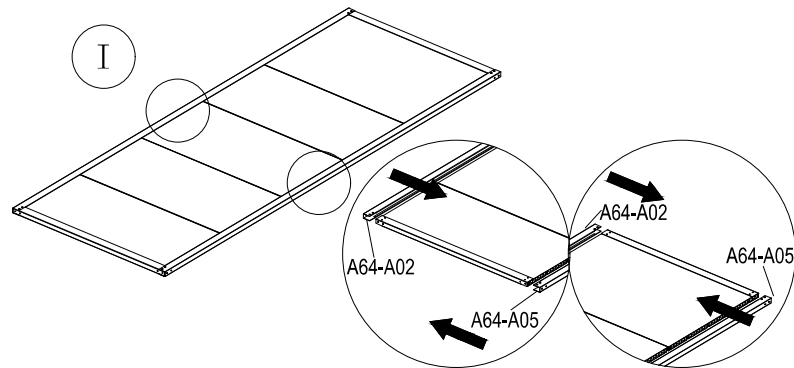


(M4x10)
E12x6

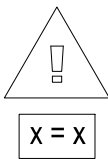
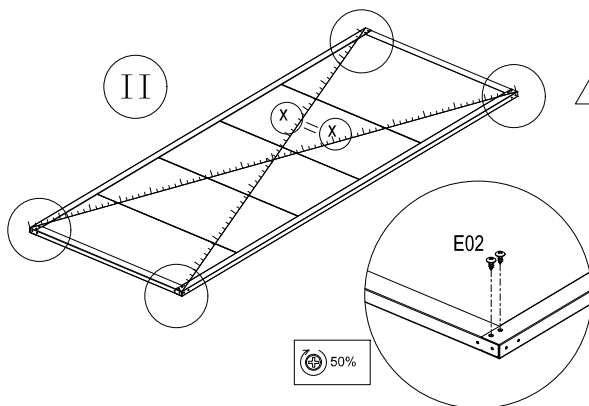
Pre-installed Door

F-2

I

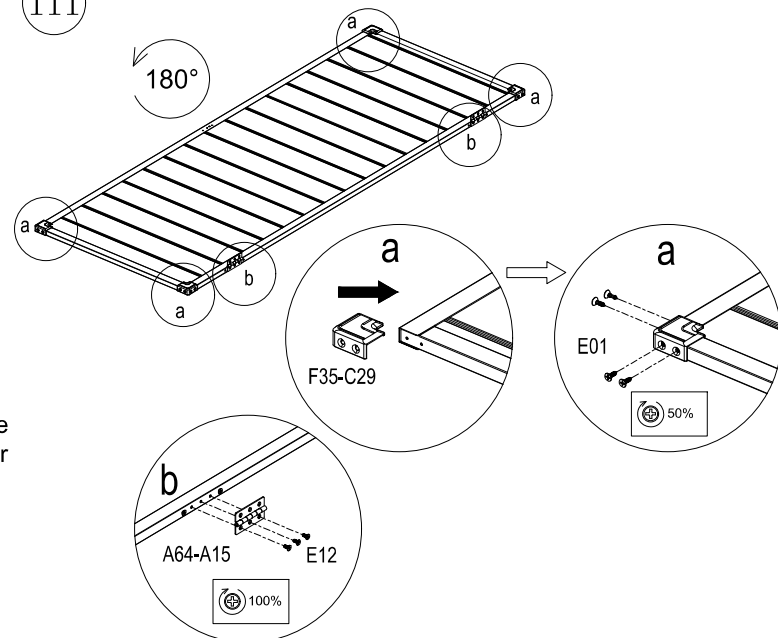


II



Note: Please kindly confirm the diagonal distance "X" of the door should be same before assembling the screws.

III





B48-A01 x2



B48-A02 x2



A64-A09 x2



A64-A10 x2



A64-A11 x4



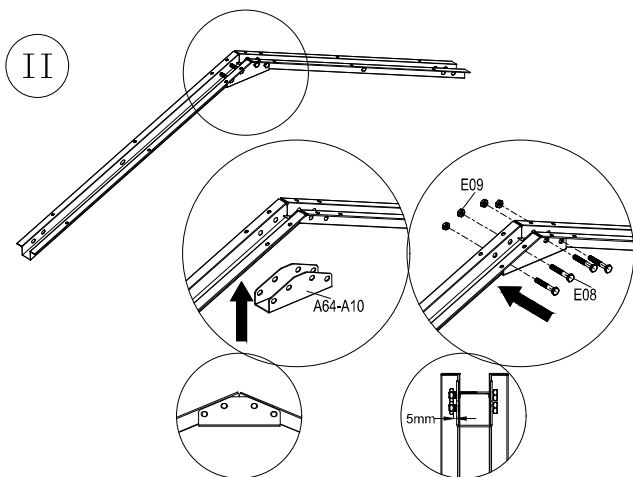
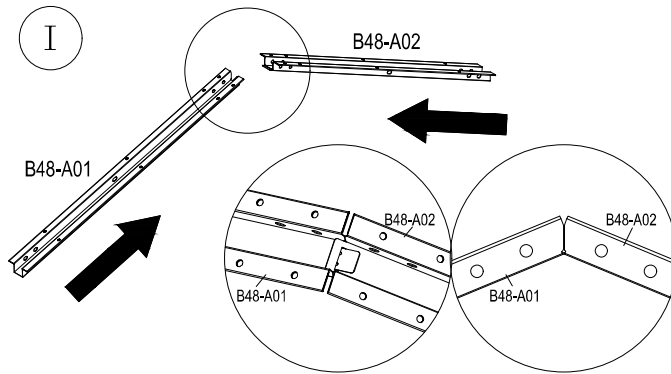
(M6x40)
E08x20



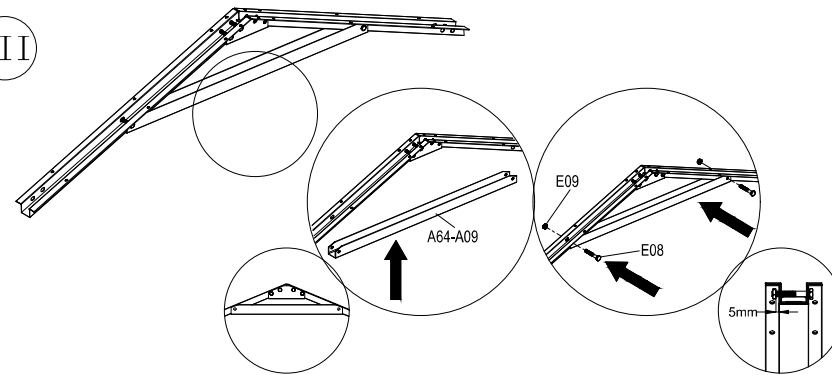
(M6x8.5)
E09x20

Pre-installed Roof supporting

G

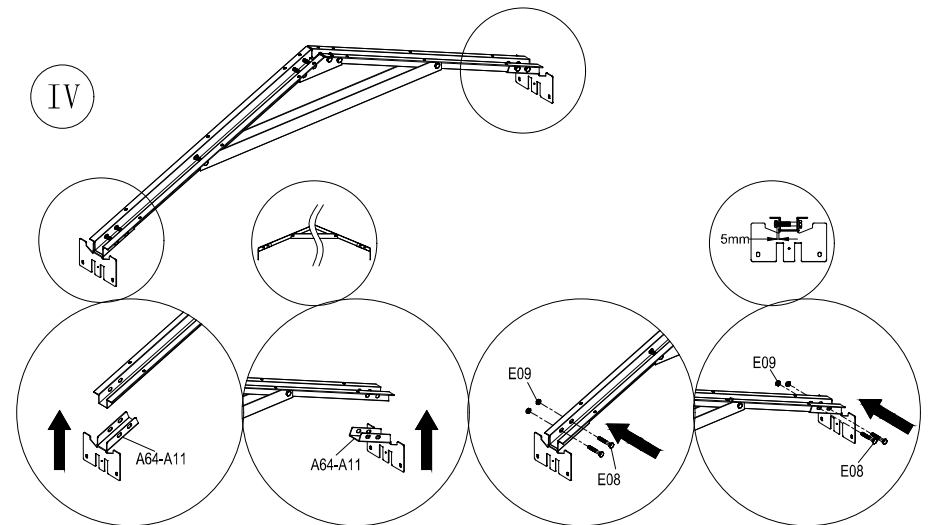


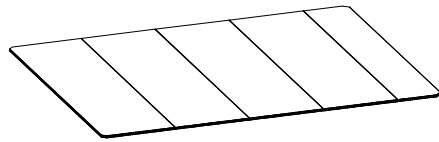
III



x2

IV





A



B48-C08 x2



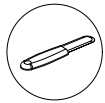
B68-A05 x1



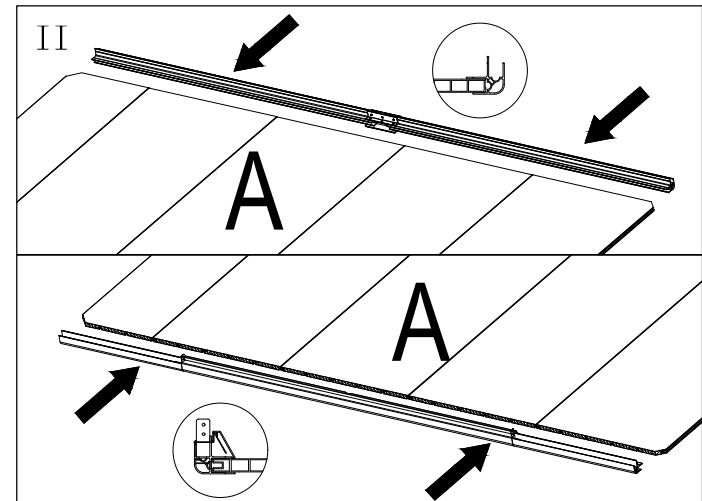
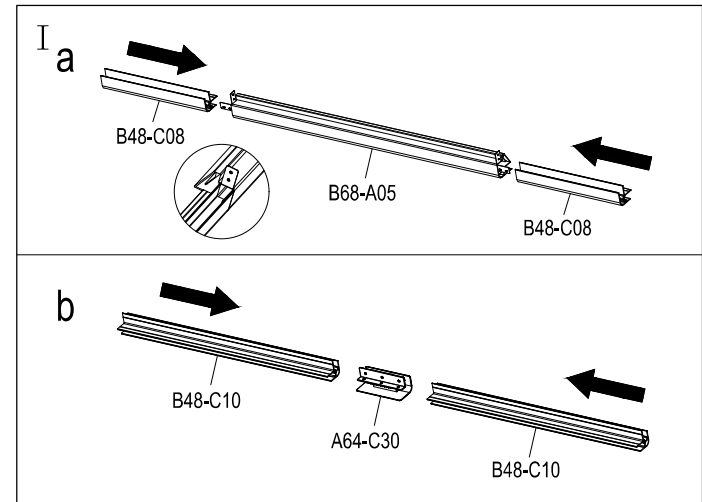
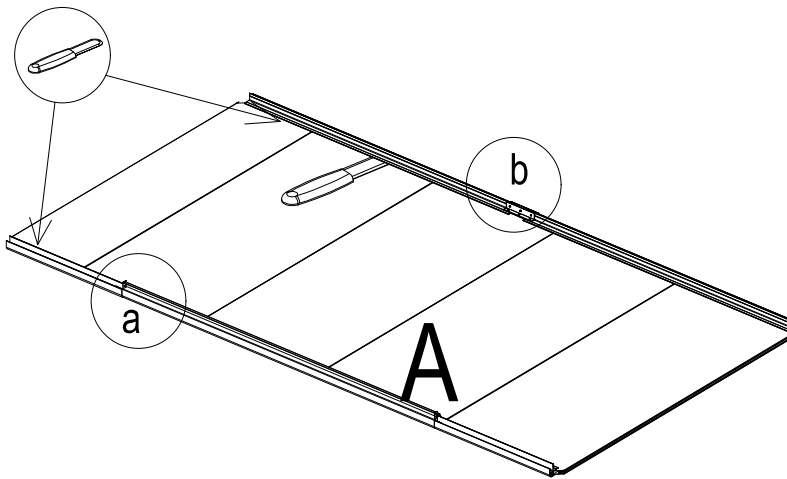
B48-C10 x2



A64-C30 x1

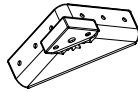


Please use rubber-knife to helping assembly.

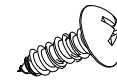




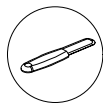
B48-C09 x2



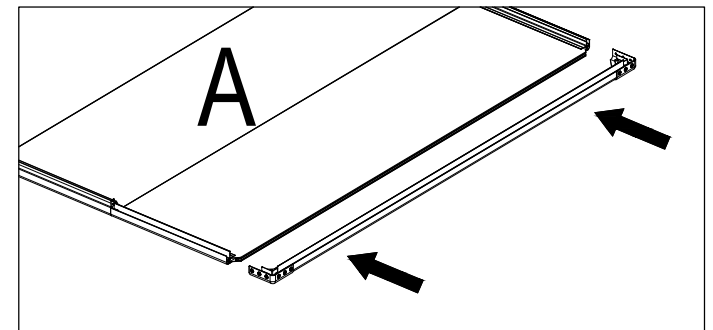
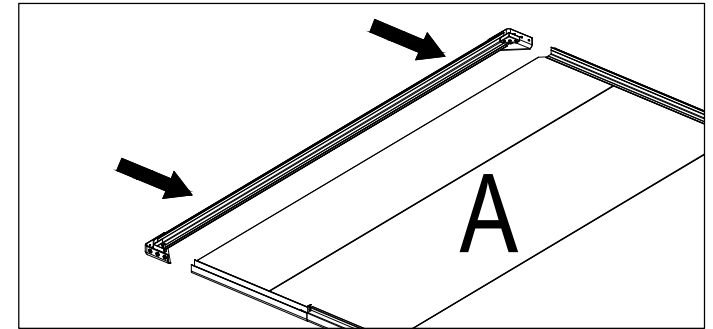
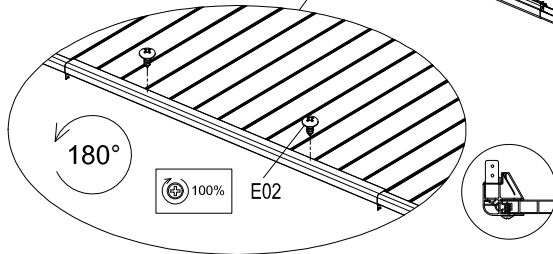
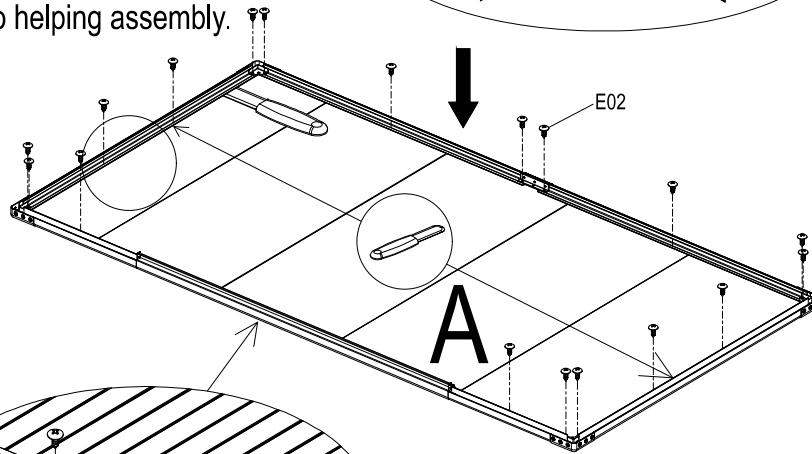
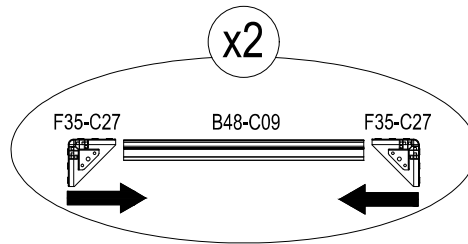
F35-C27 x4

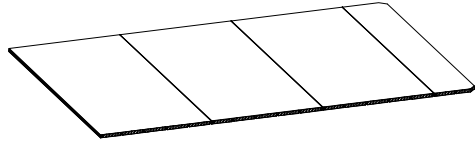


(ST4.2x12)
E02x20

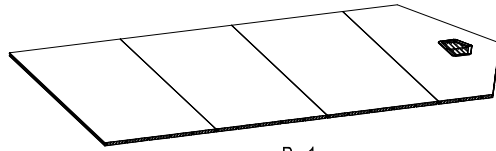


Please use rubber-knife to helping assembly.





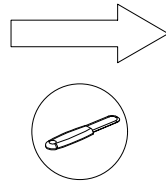
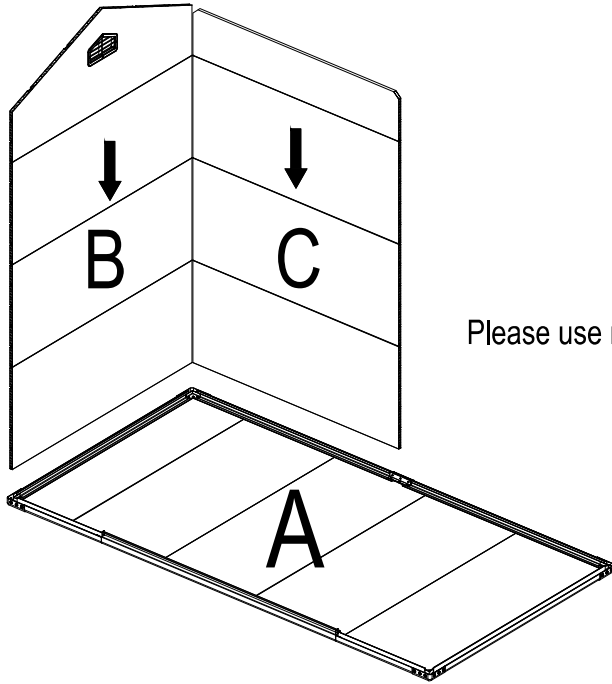
C x1



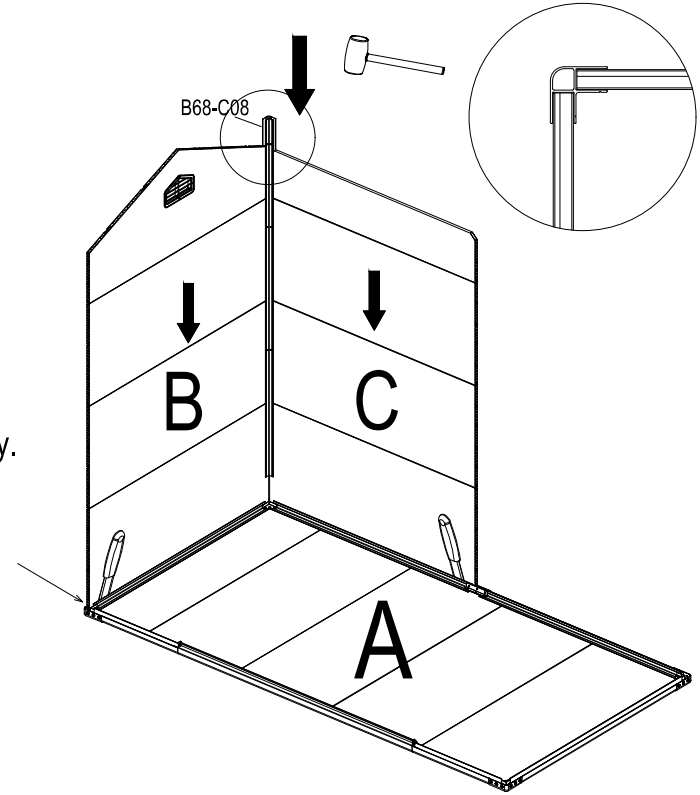
B x1

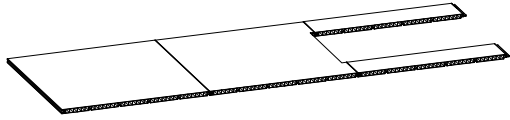


B68-C08 x1



Please use rubber-knife to helping assembly.

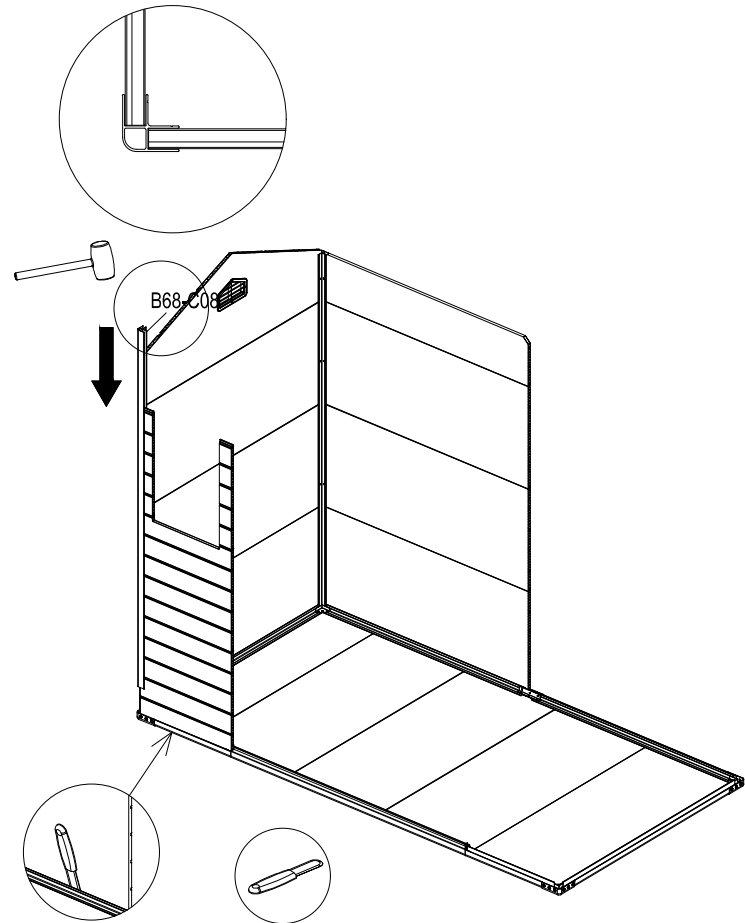
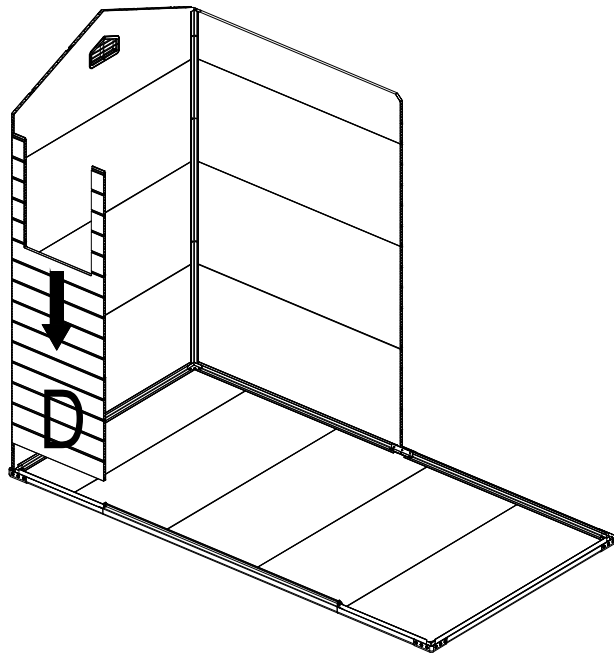




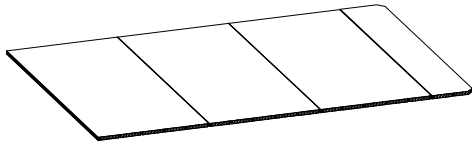
D x1



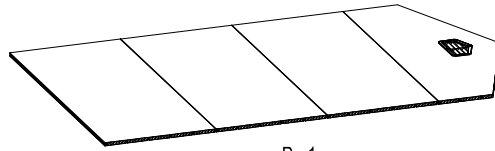
B68-C08 x1



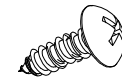
Please use rubber-knife to helping assembly.



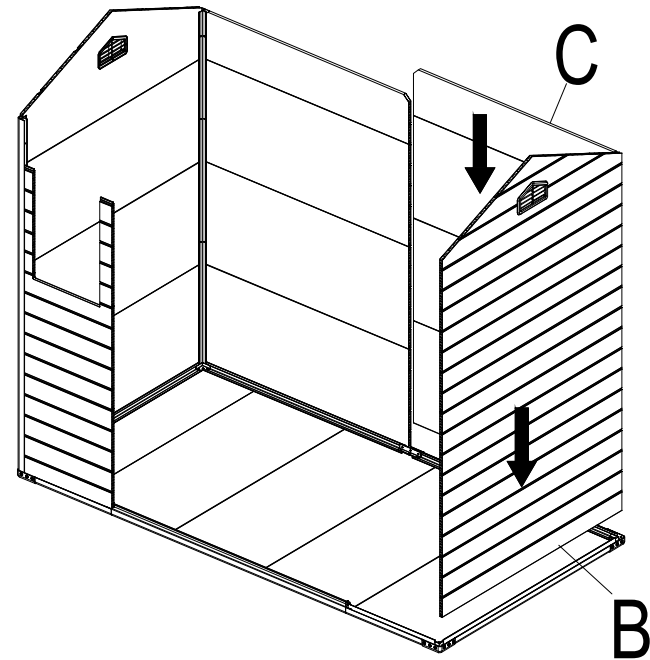
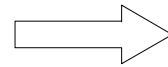
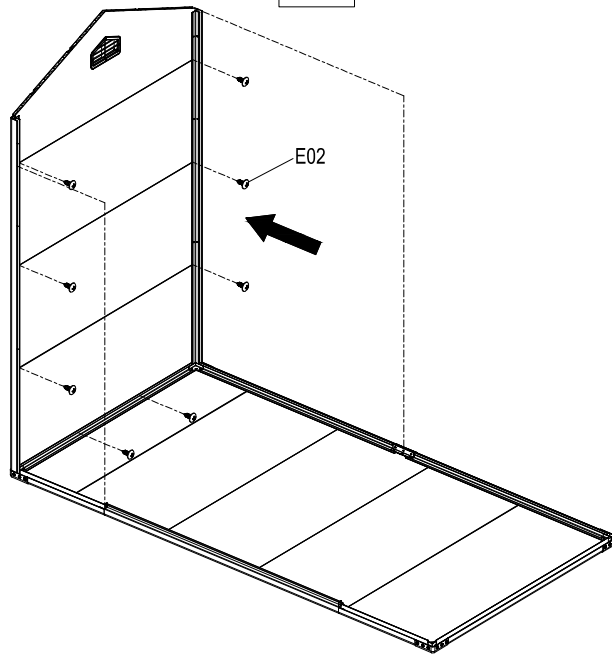
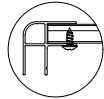
C x1

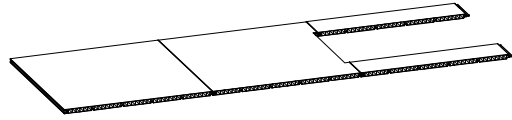


B x1



(ST4,2x12)
E02x8

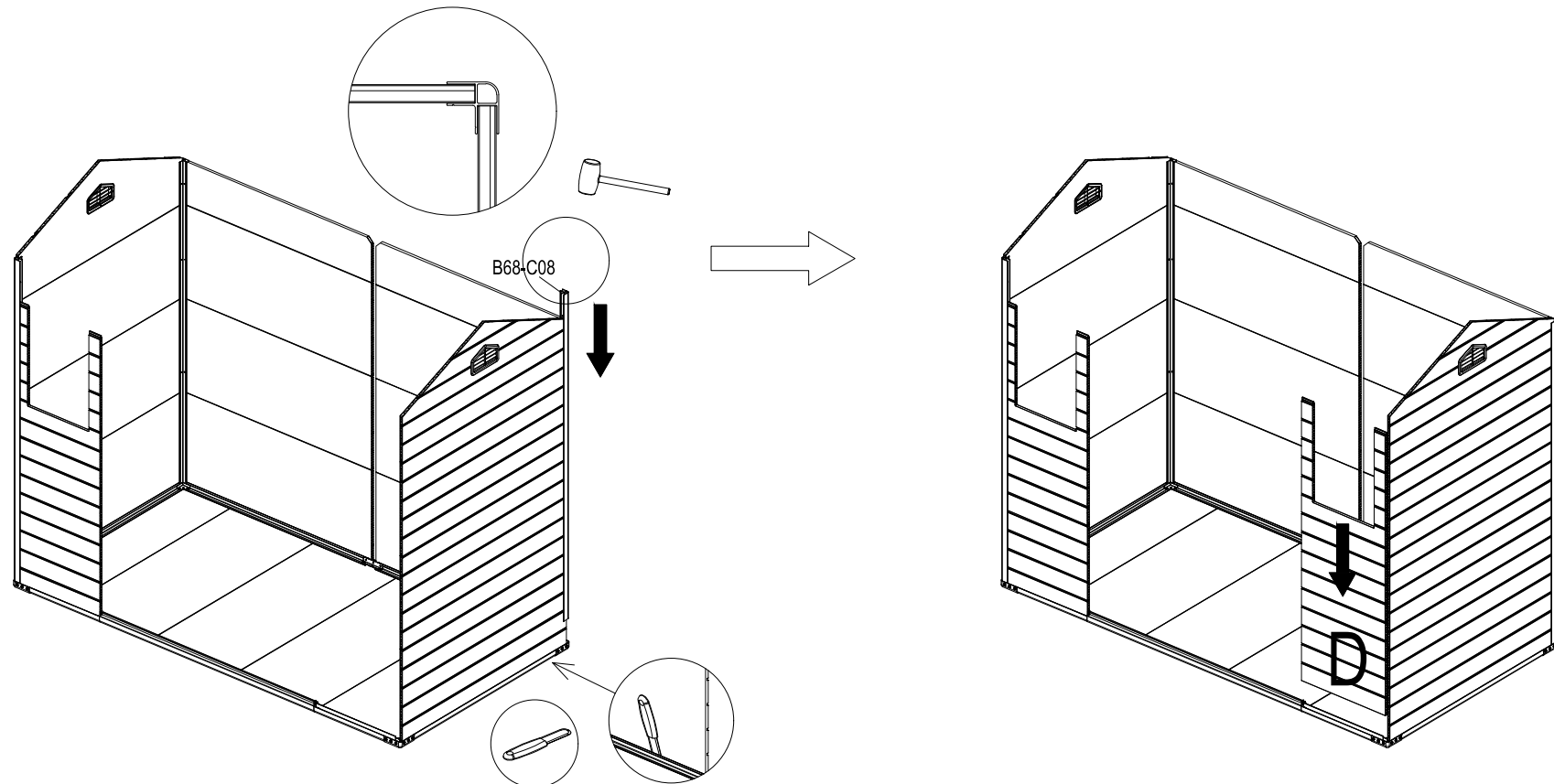




D x1



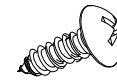
B68-C08 x1



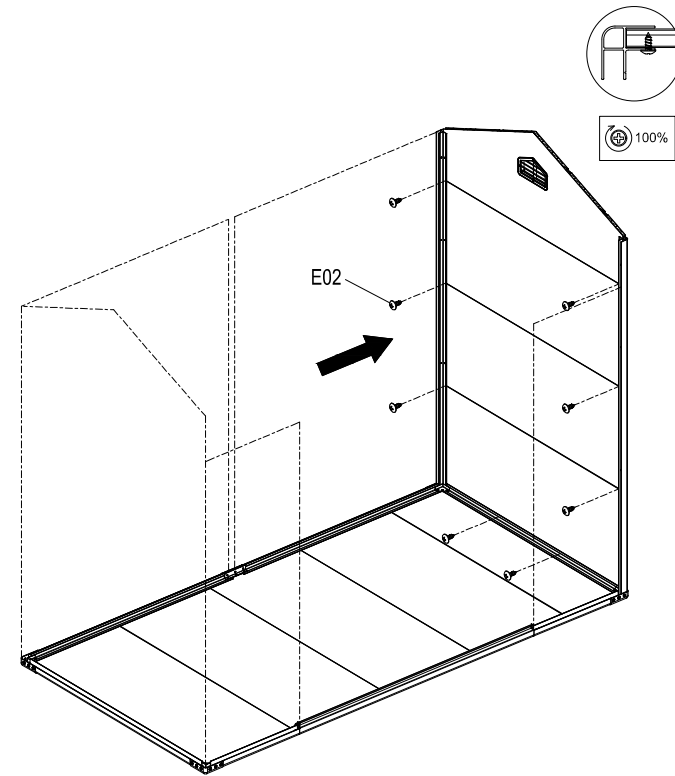
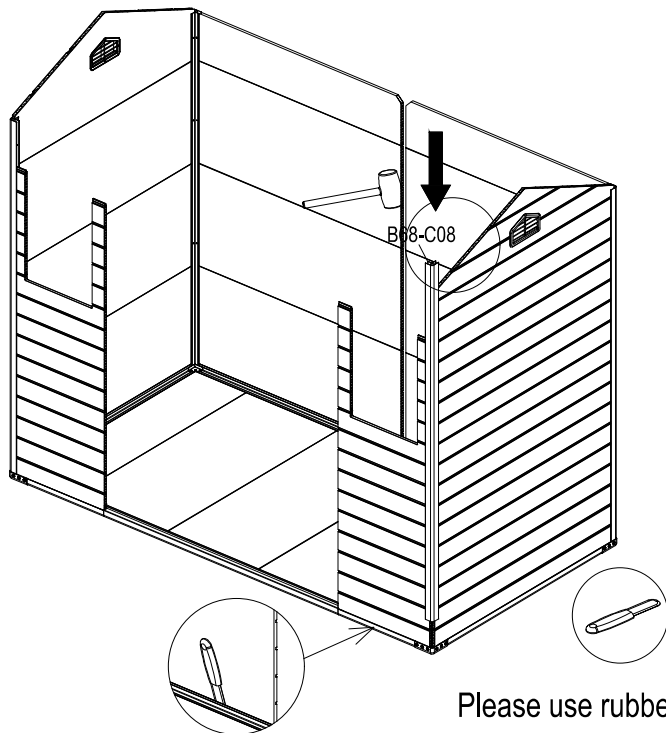
Please use rubber-knife to helping assembly.



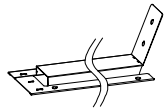
B68-C08 x1



(ST4.2x12)
E02x8



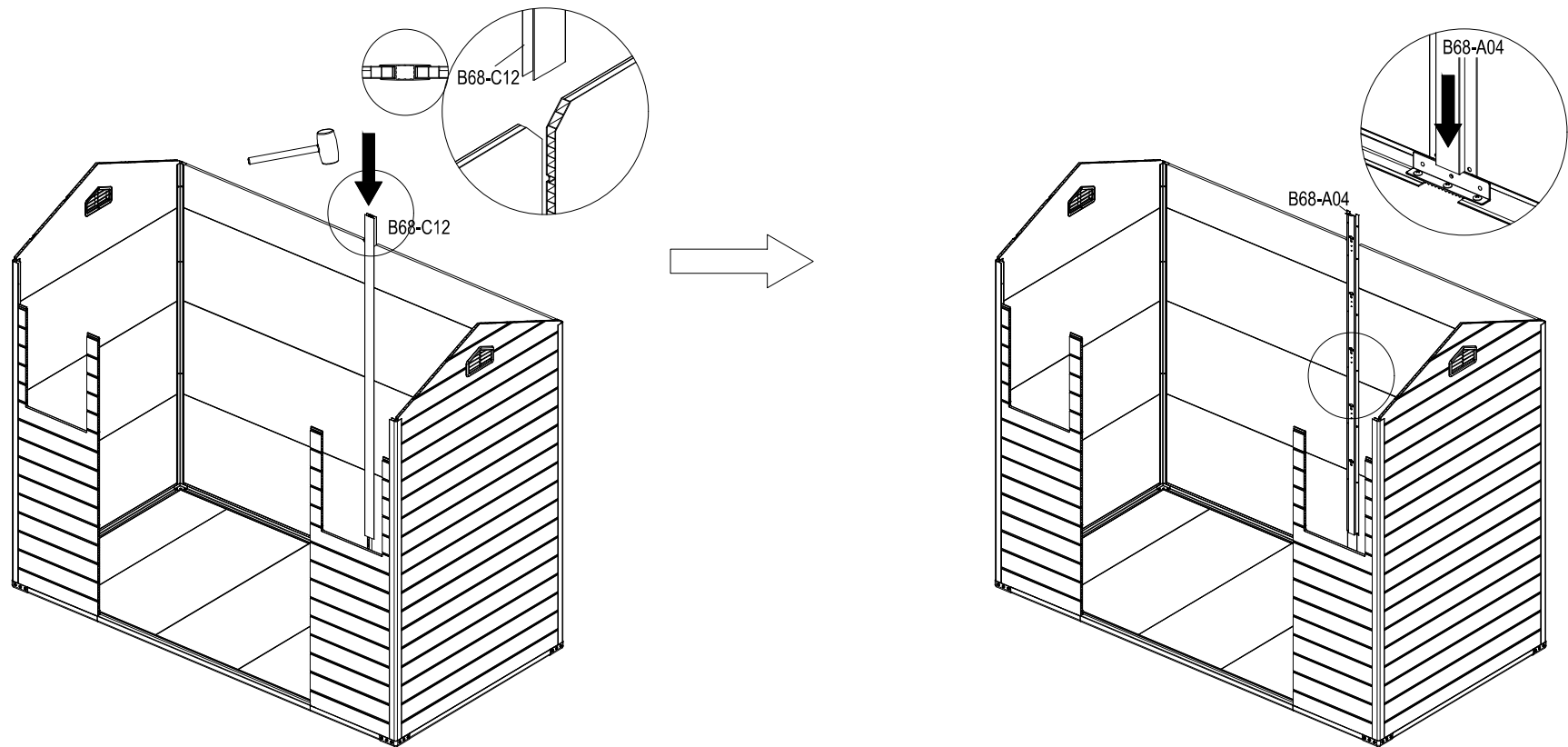
Please use rubber-knife to helping assembly.

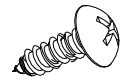


B68-A04 x1

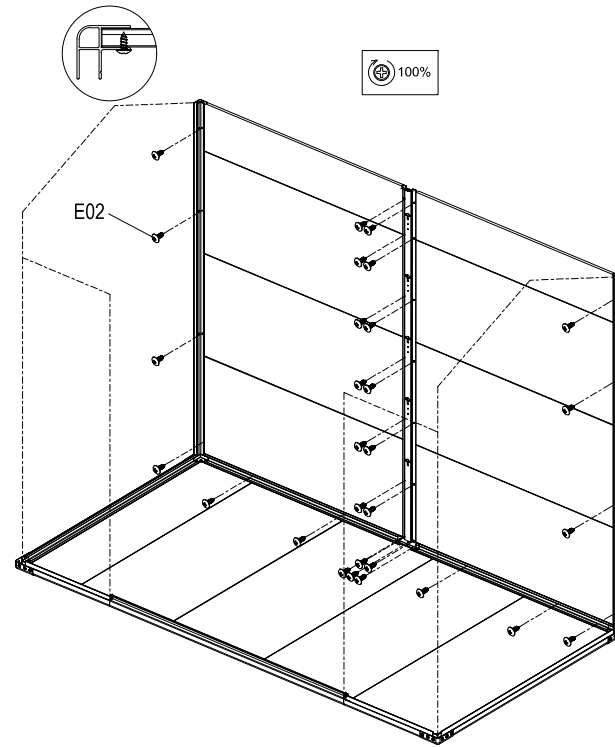


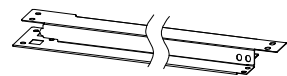
B68-C12 x1



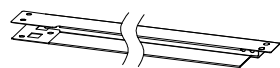


(ST4.2x12)
E02x29





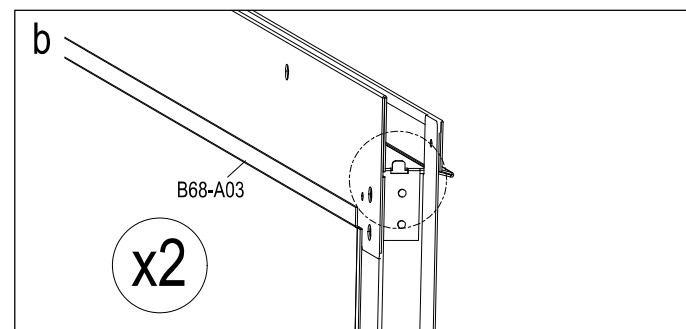
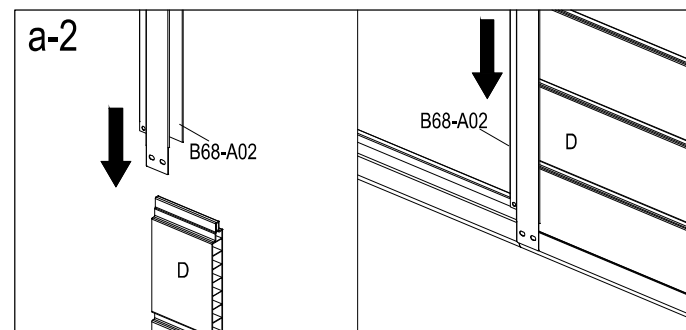
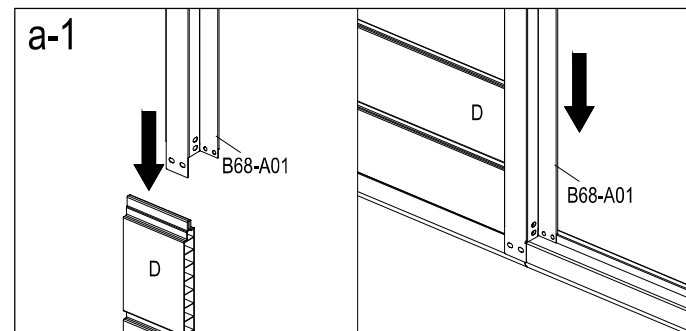
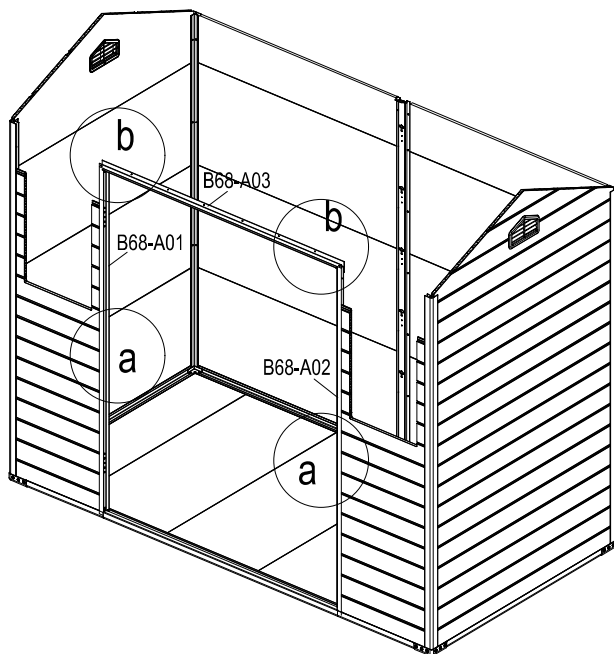
B68-A01 x1



B68-A02 x1



B68-A03 x1

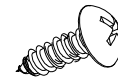




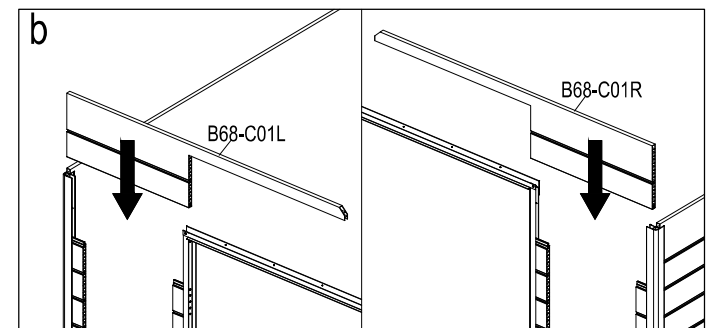
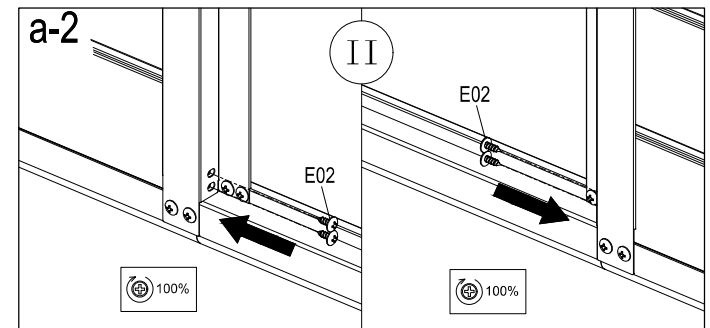
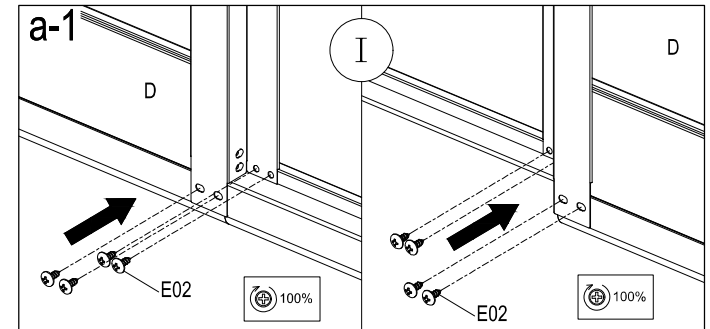
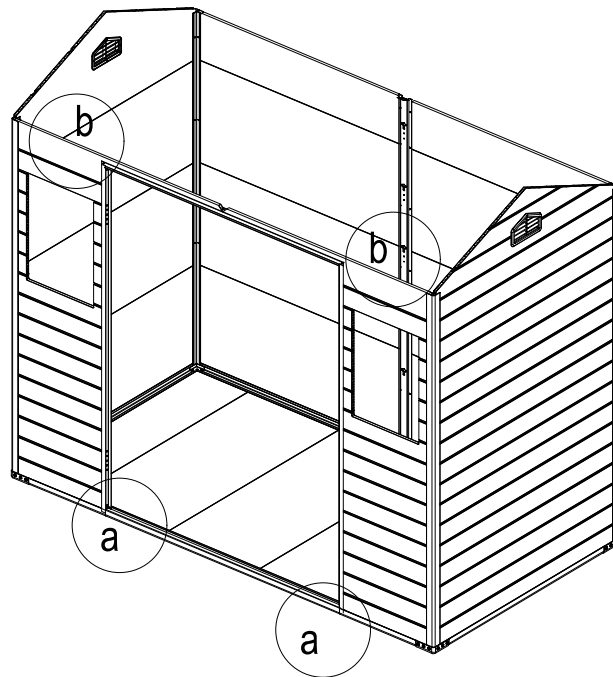
B68-C01Lx1

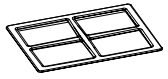


B68-C01R x1

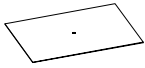


(ST4.2x12)
E02x12

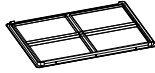




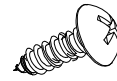
F35-C31 x2



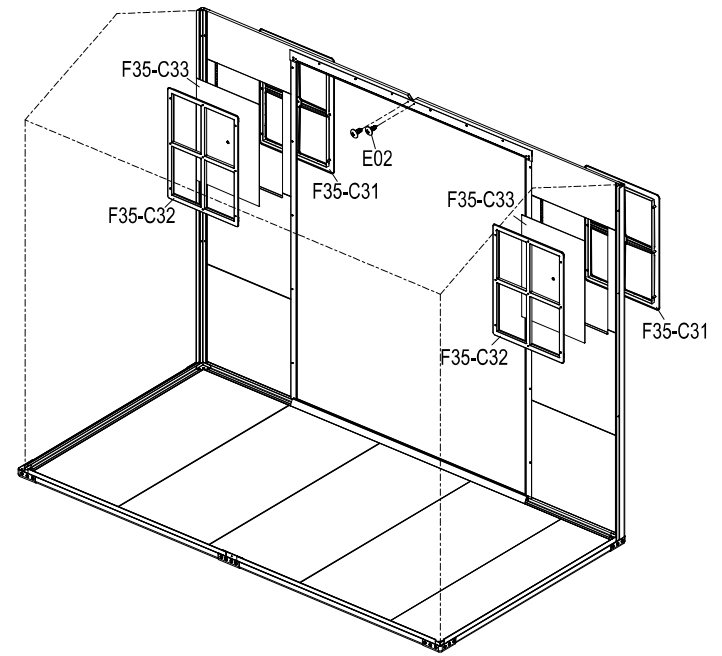
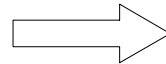
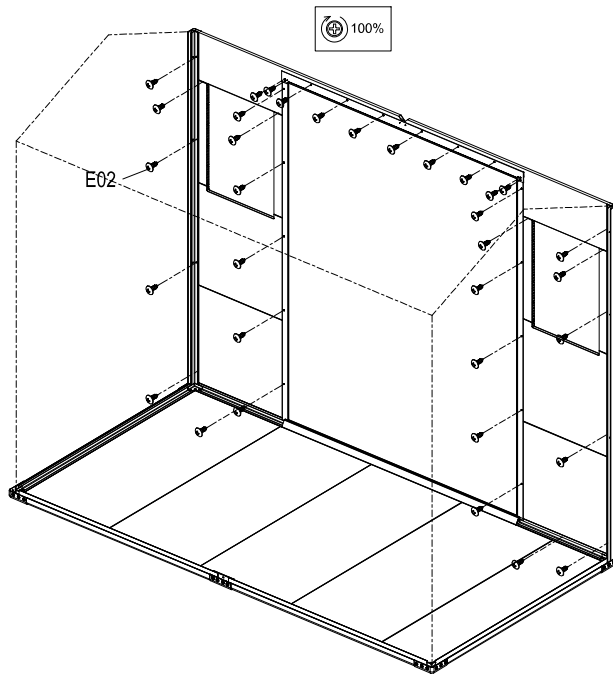
F35-C33 x2

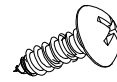


F35-C32 x2

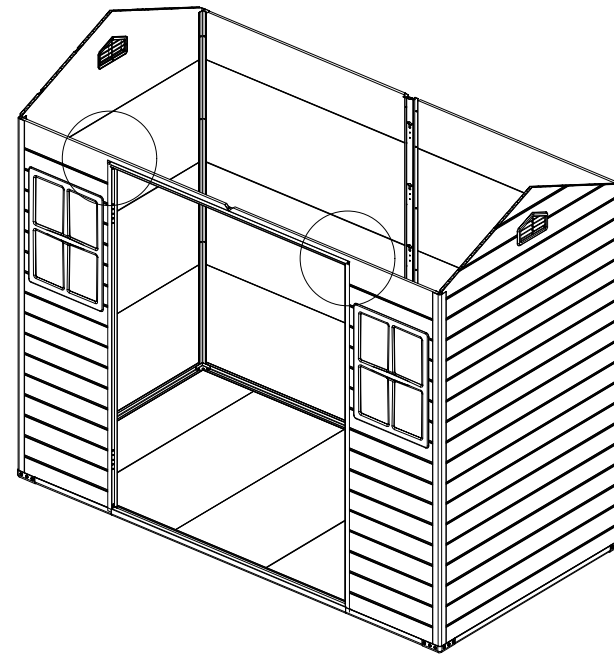
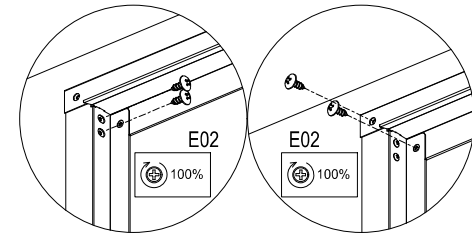
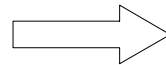
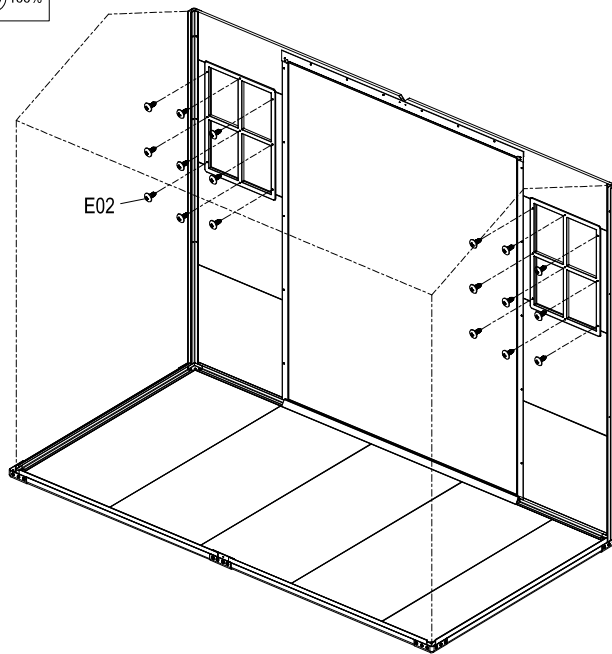


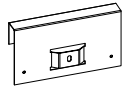
(ST4.2x12)
E02x36





(ST4.2x12)
E02x22





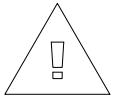
A64-A12 x4



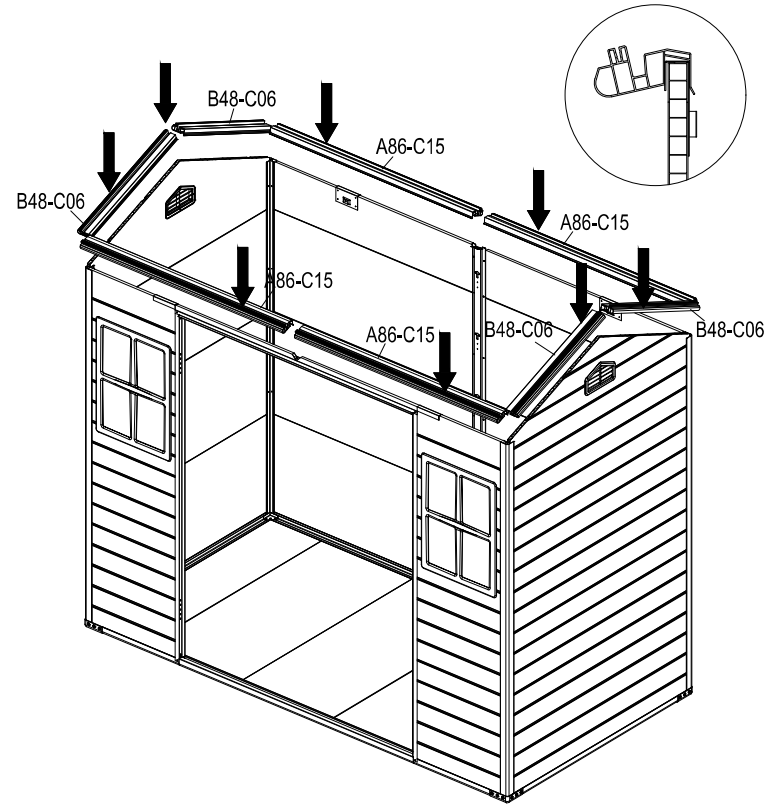
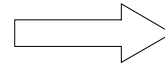
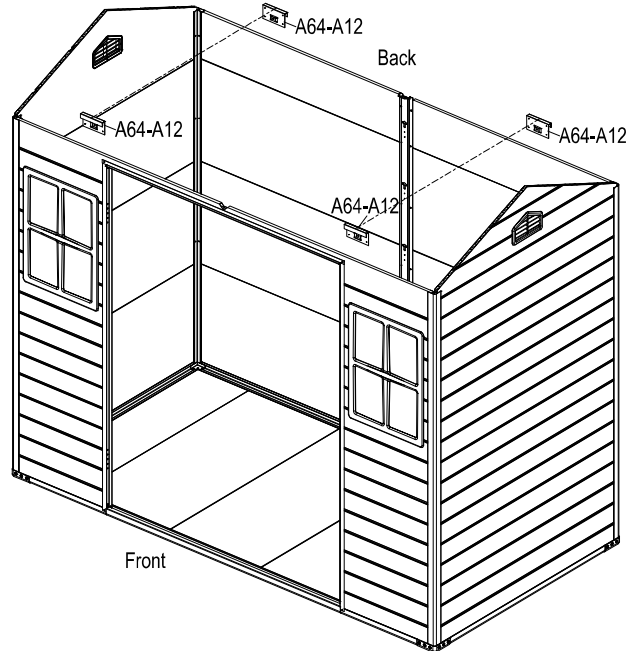
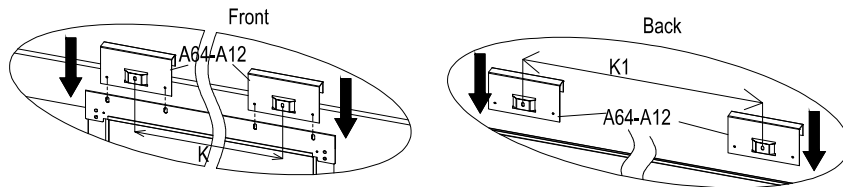
A86-C15 x4

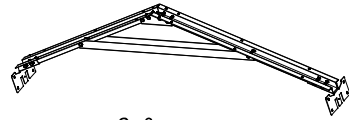


B48-C06 x4

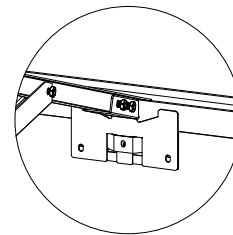
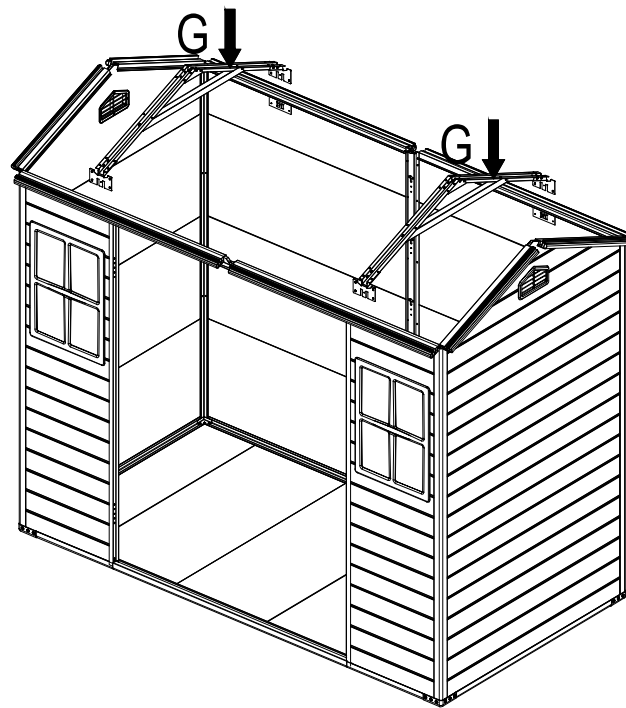


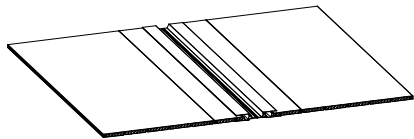
Note: You should assemble the front parts firstly, Please kindly confirm the distance of "K1" is same as the distance of "K"





G x2

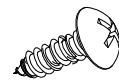




E x2

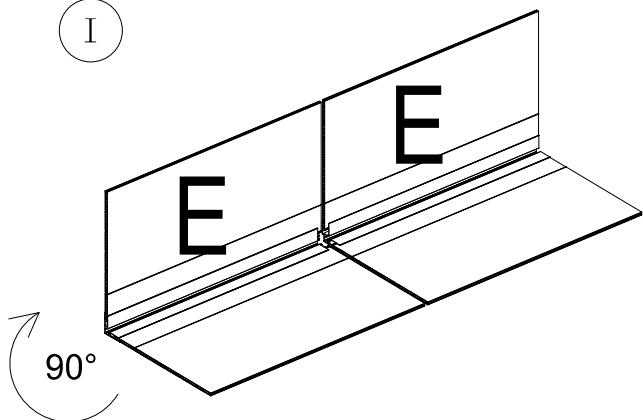


B48-C11 x2

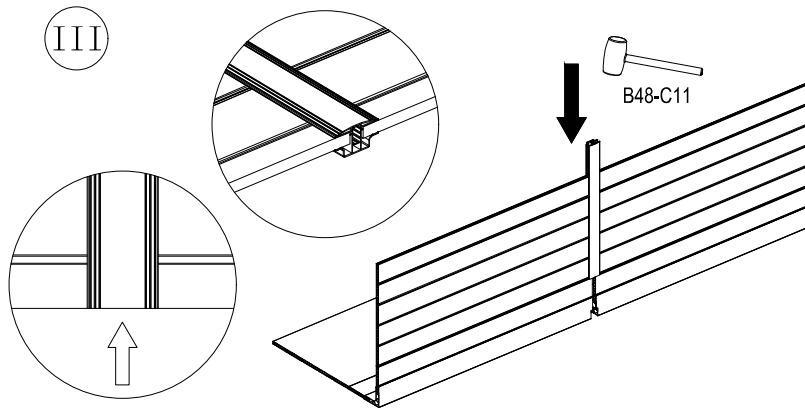


(ST4.2x12)
E02x12

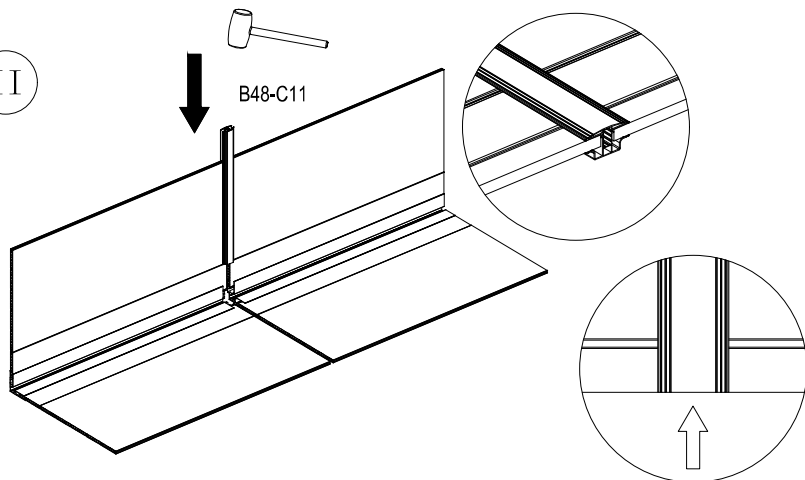
I



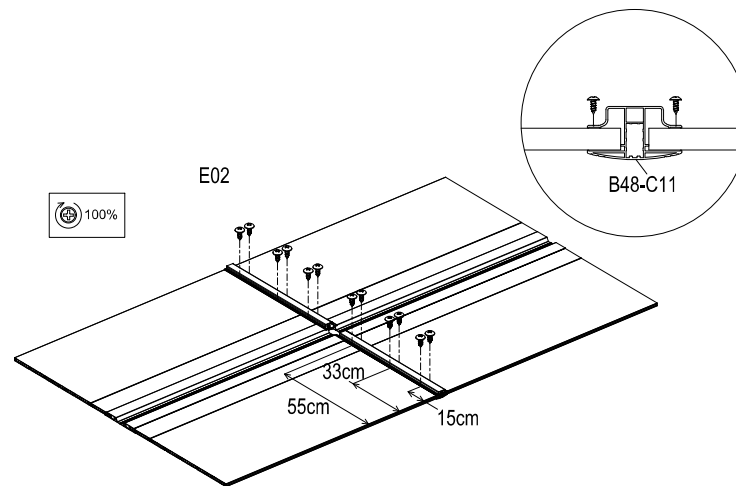
III

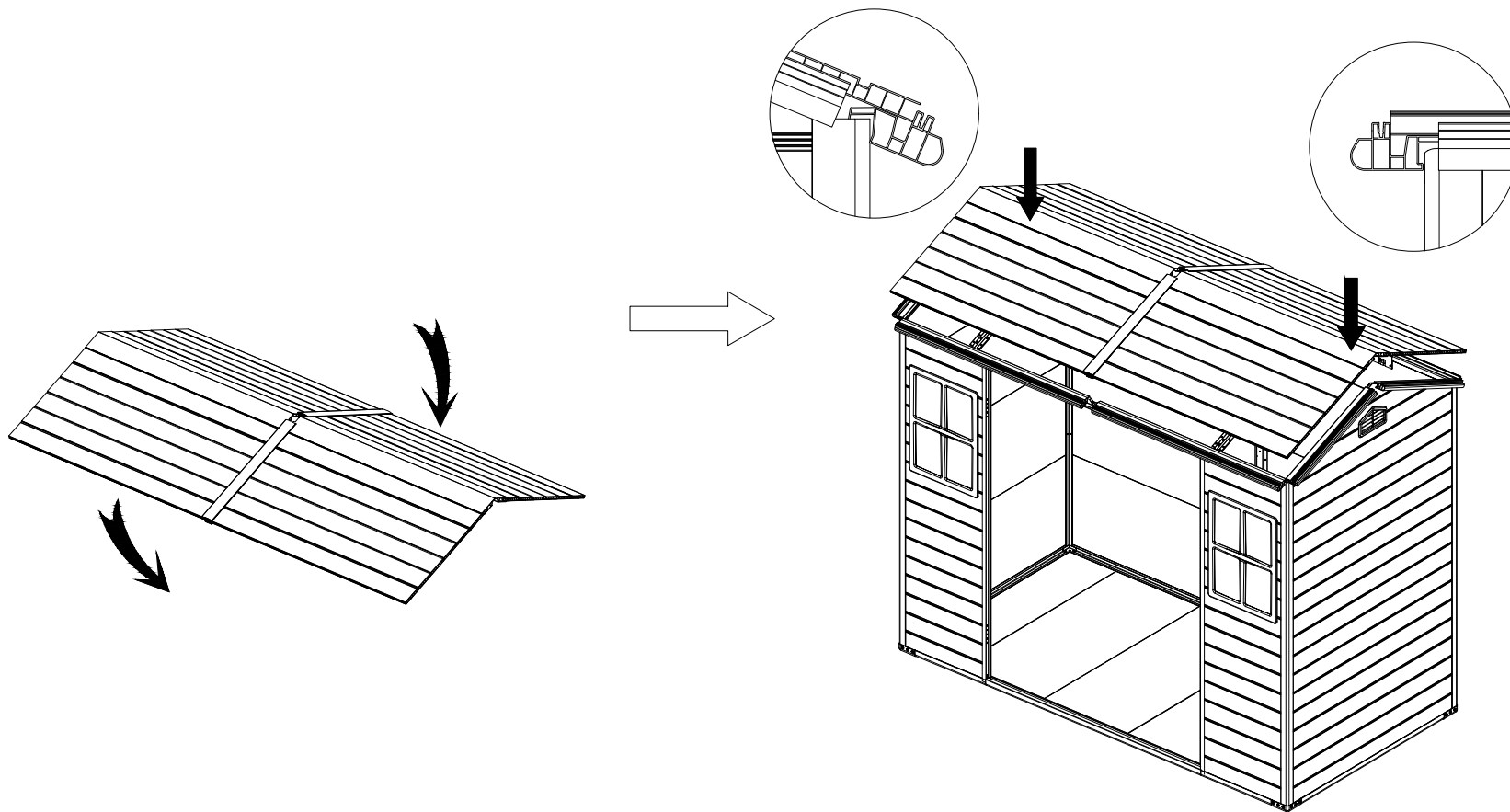


II



IV



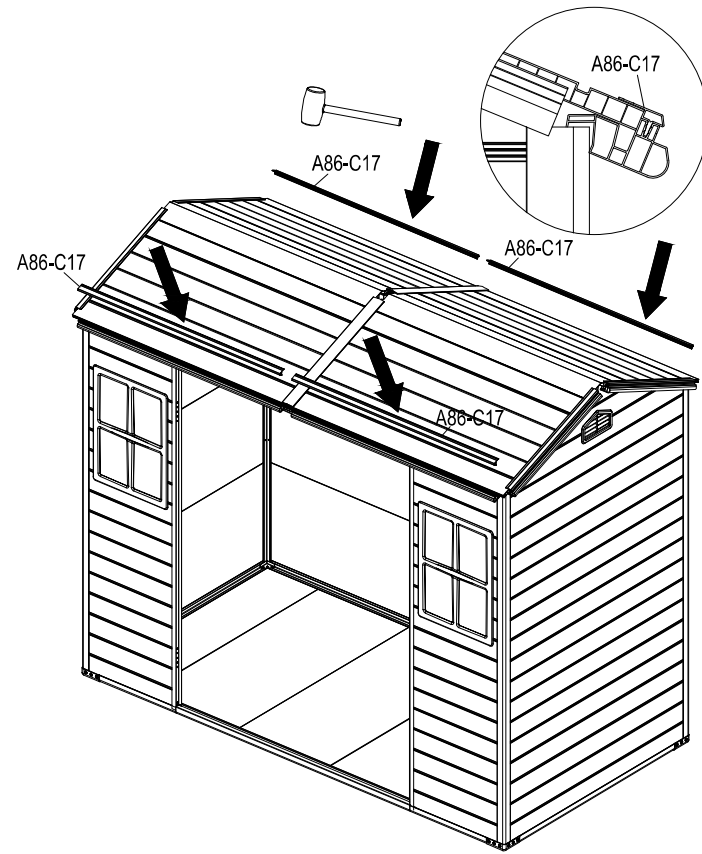
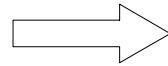
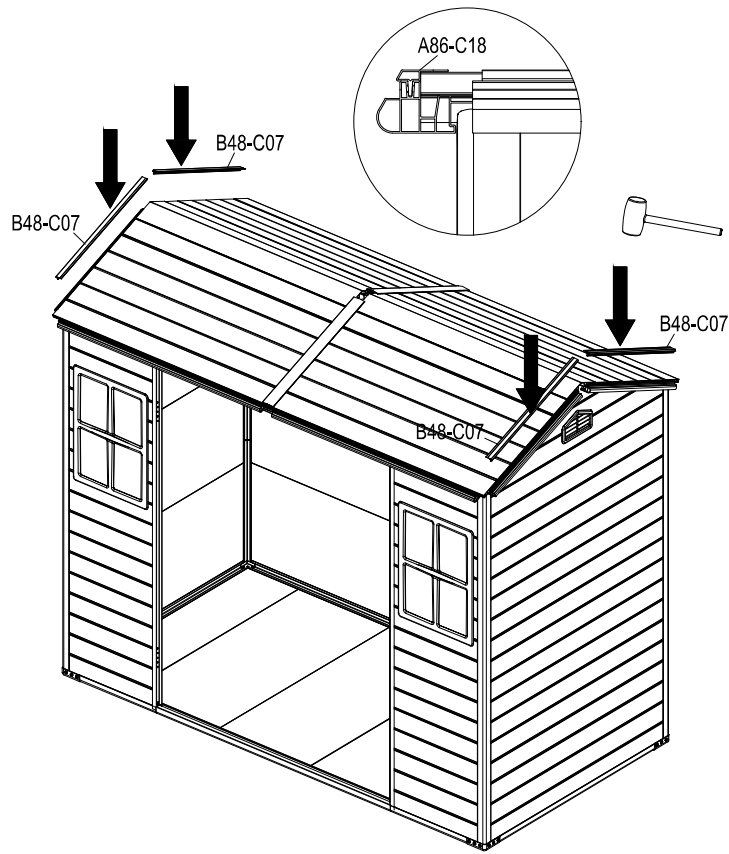


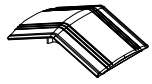


A86-C17 x4

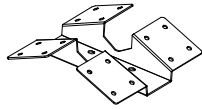


B48-C07 x4





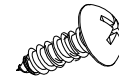
A64-C34 x1



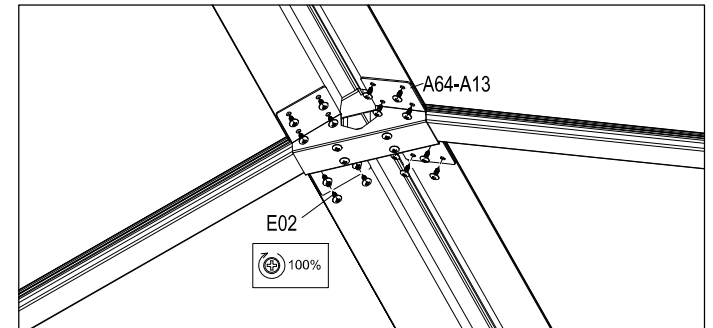
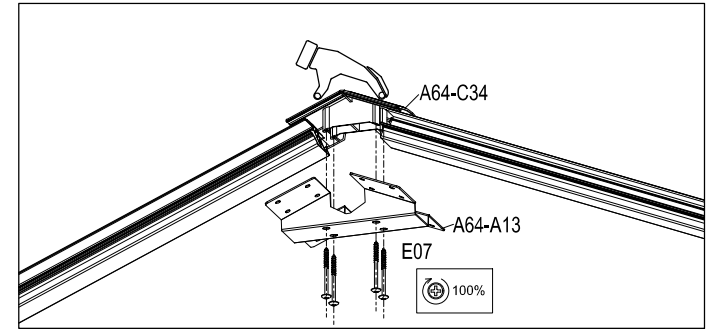
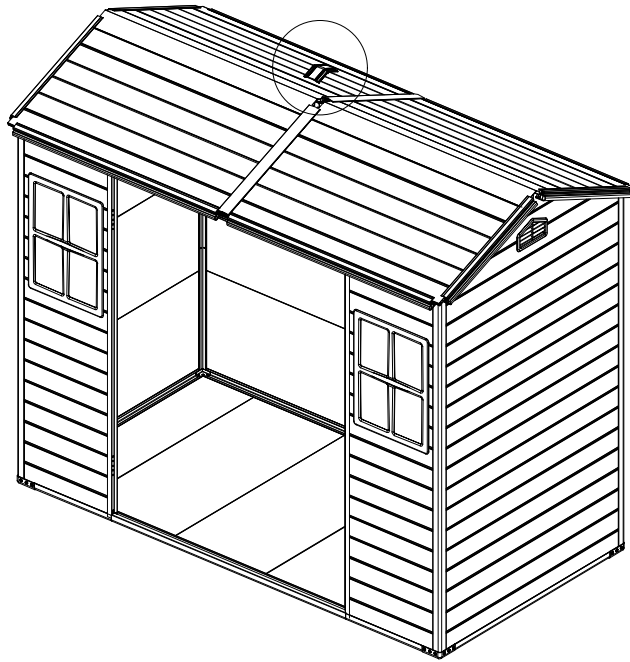
A64-A13 x1

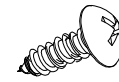


(ST4.2x55)
E07x4

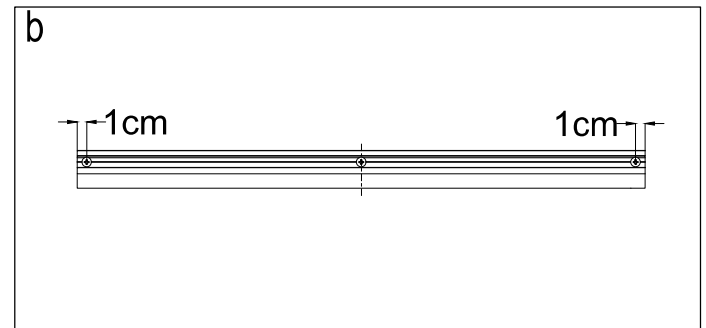
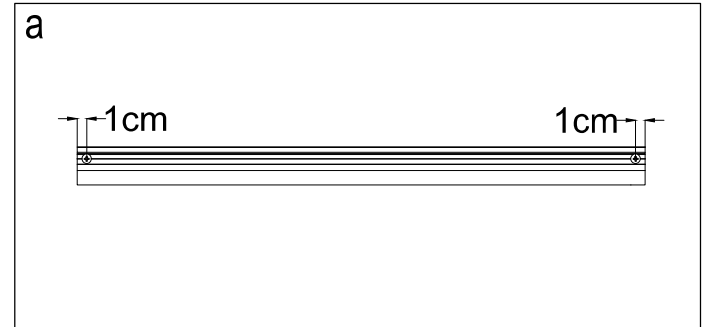
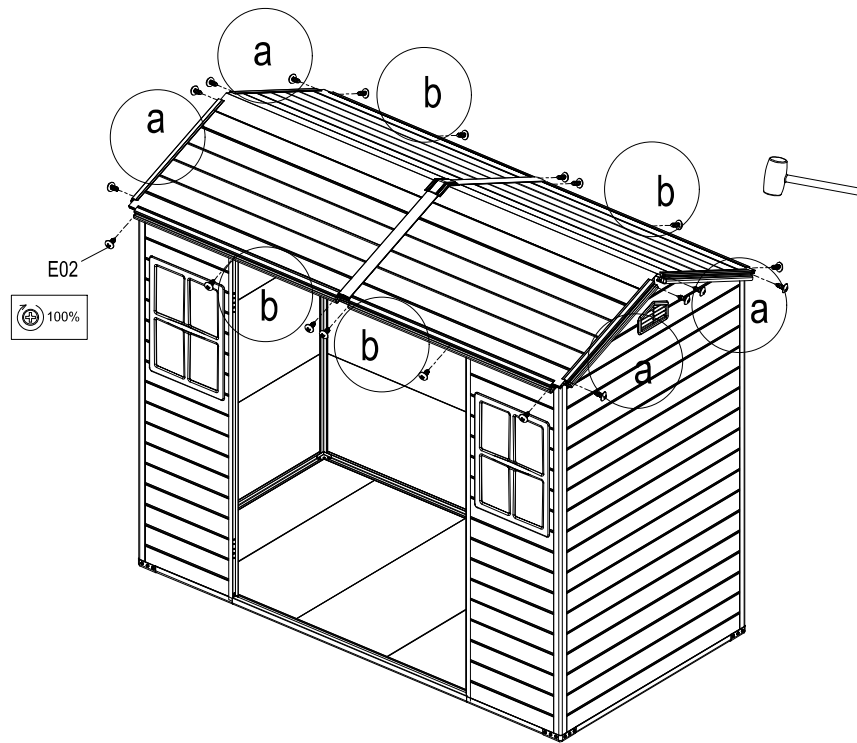


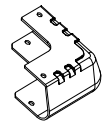
(ST4.2x12)
E02x16



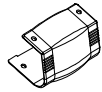


(ST4.2x12)
E02x20

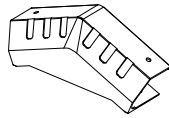




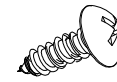
F35-C30 x4



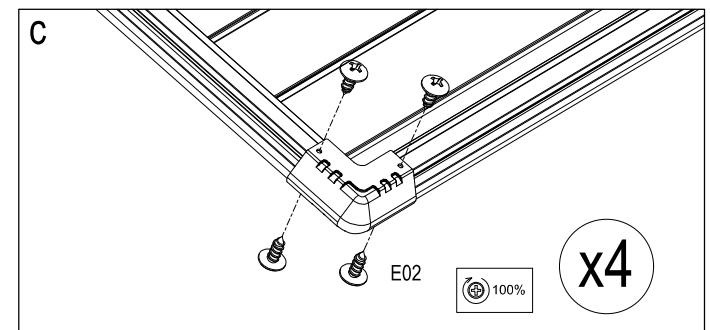
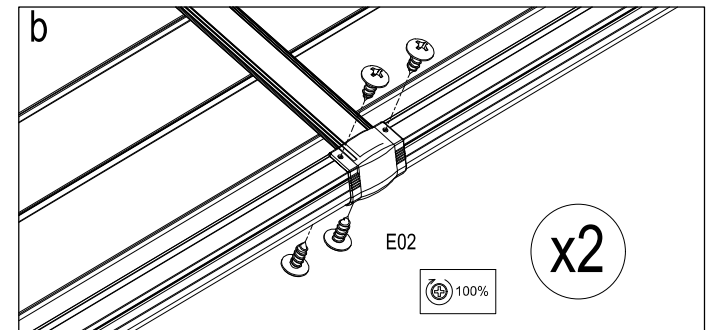
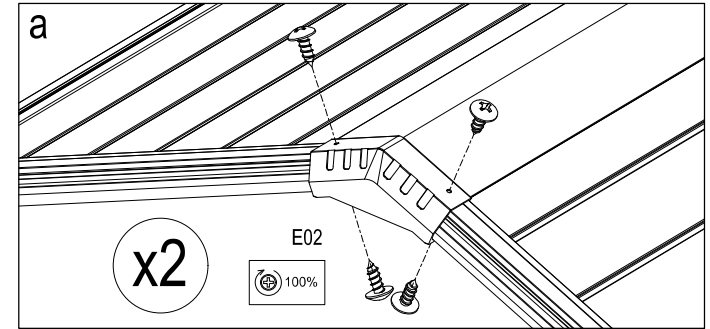
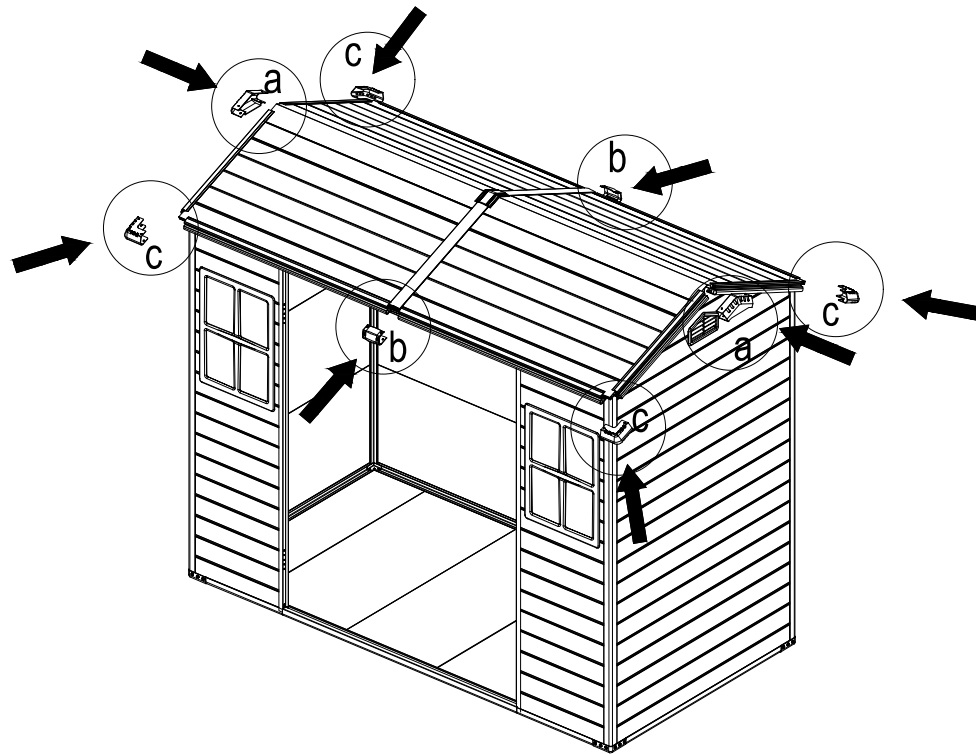
A64-C31 x2



A64-C29 x2



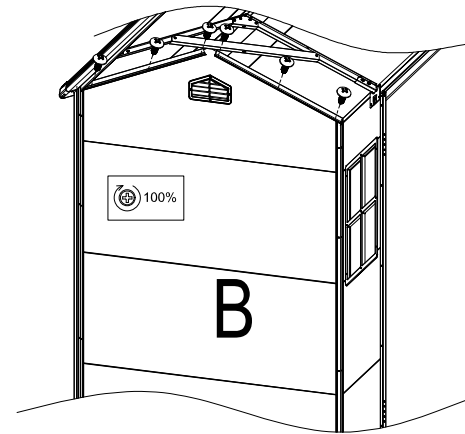
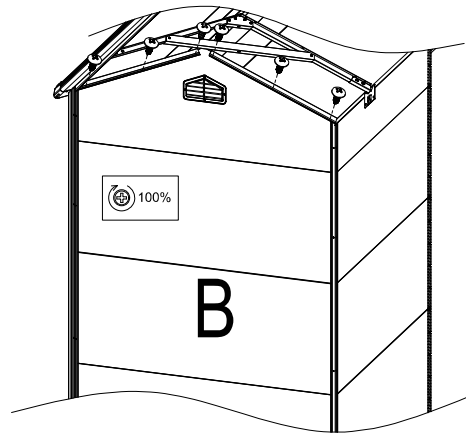
(ST4.2x12)
E02x32



Internal View



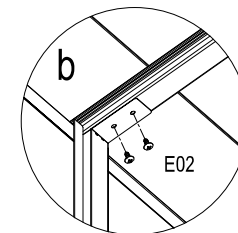
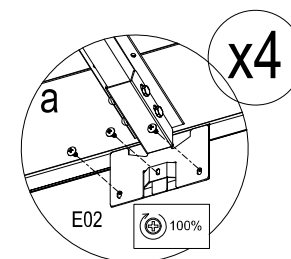
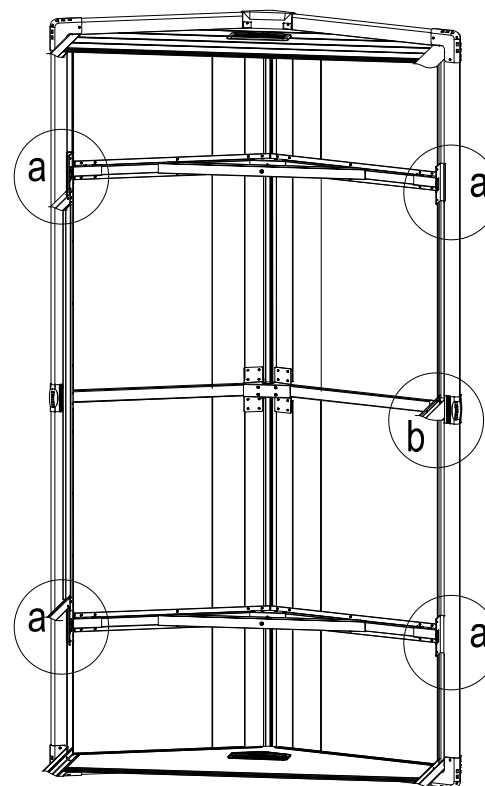
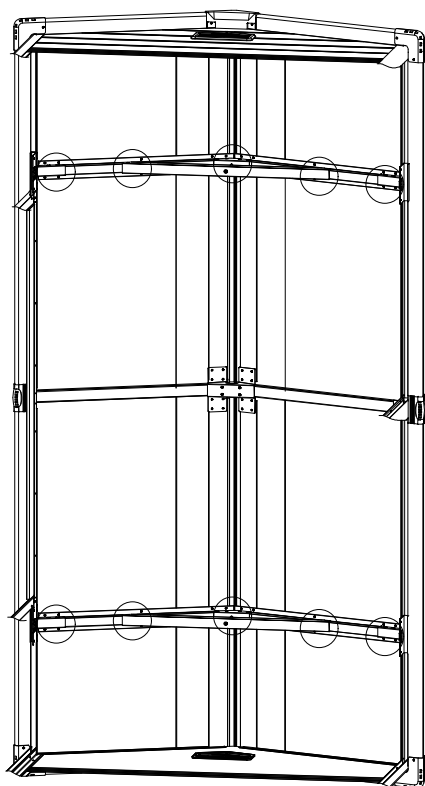
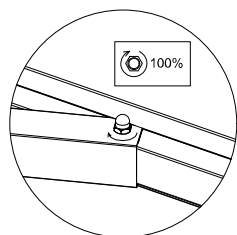
(ST4.2x12)
E02x12



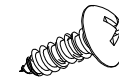
Internal View



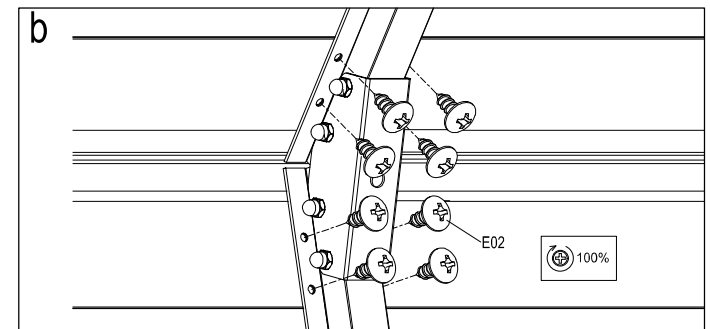
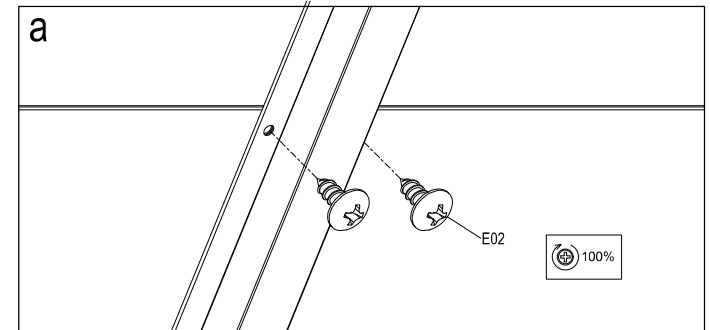
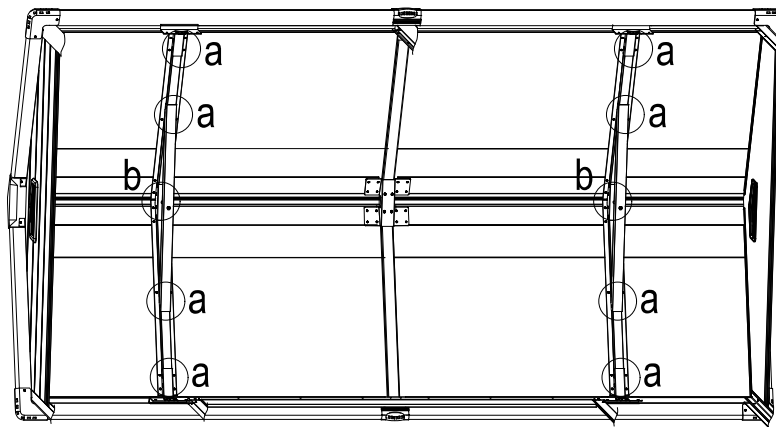
(ST4.2x12)
E02x14



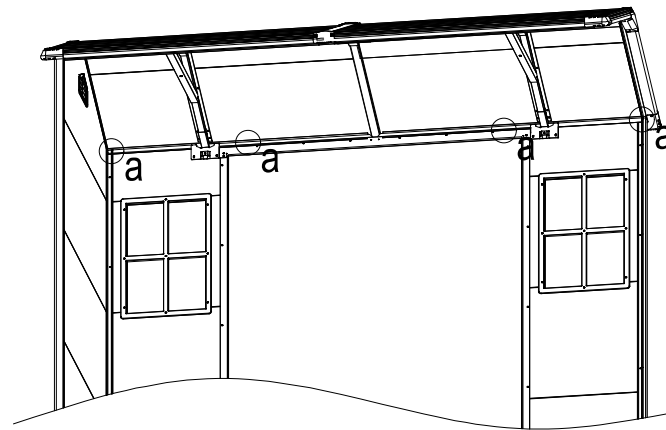
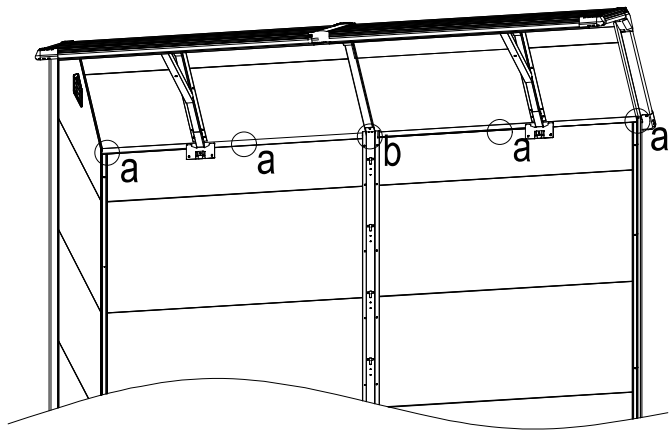
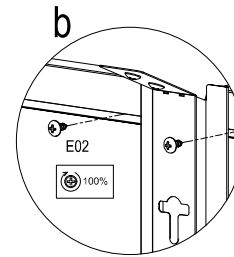
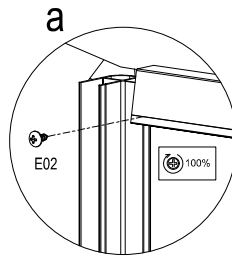
Internal View

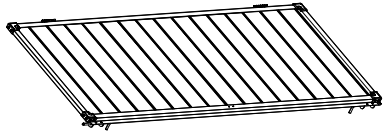


(ST4.2x12)
E02x40

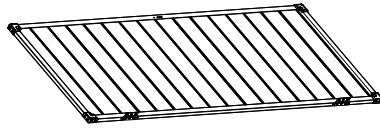


Internal View

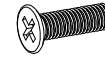




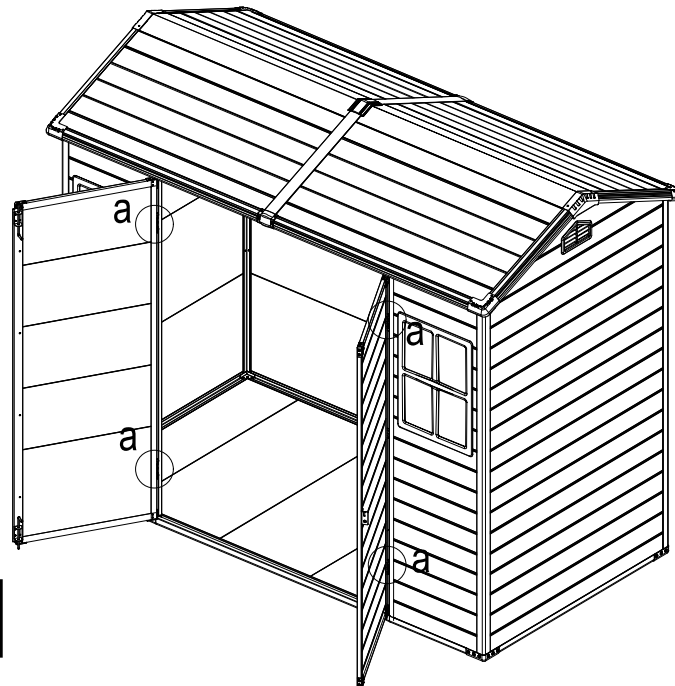
F-1



F-2

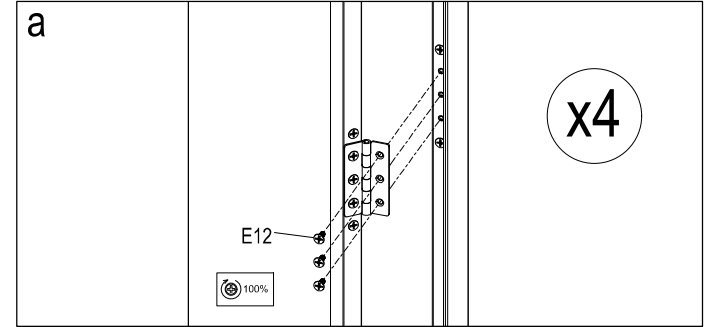


(M4x10)
E12x12



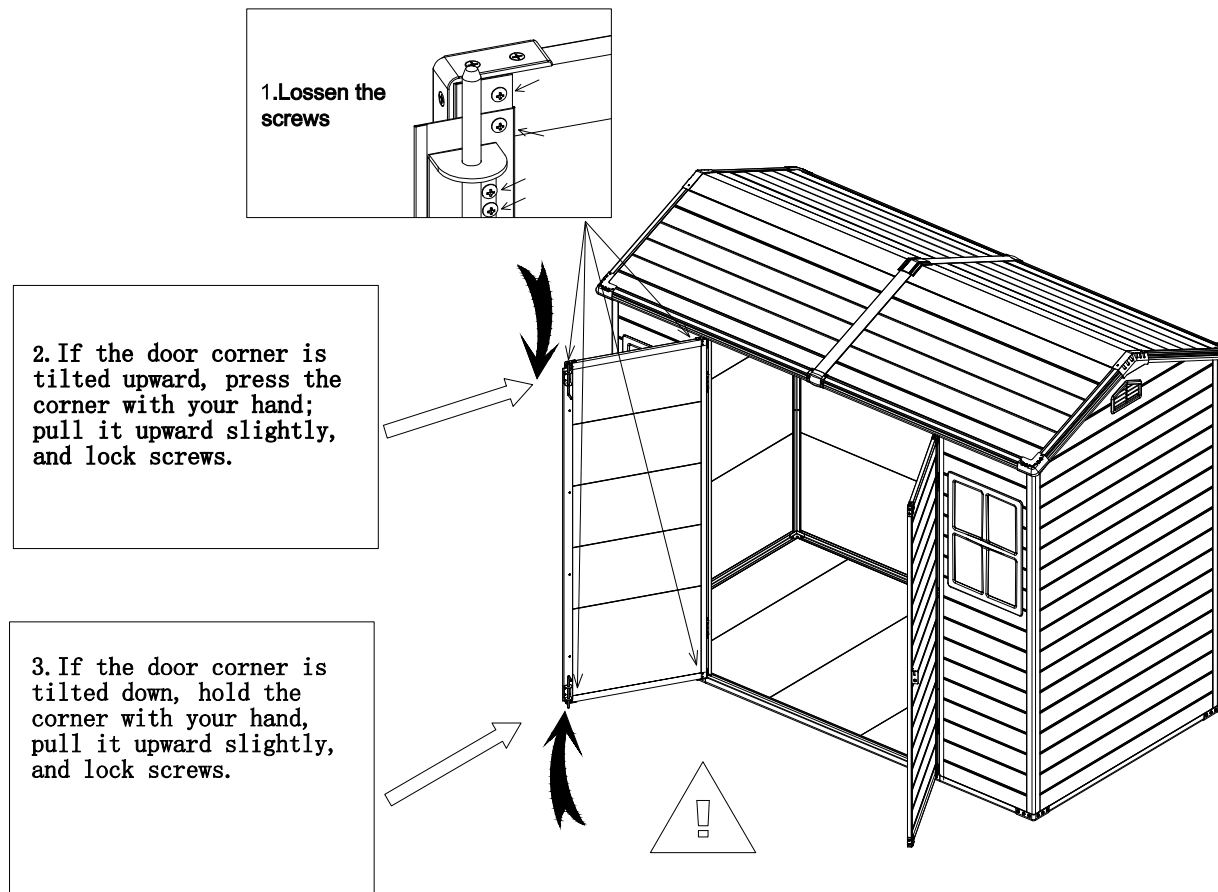
F-1

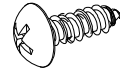
F-2



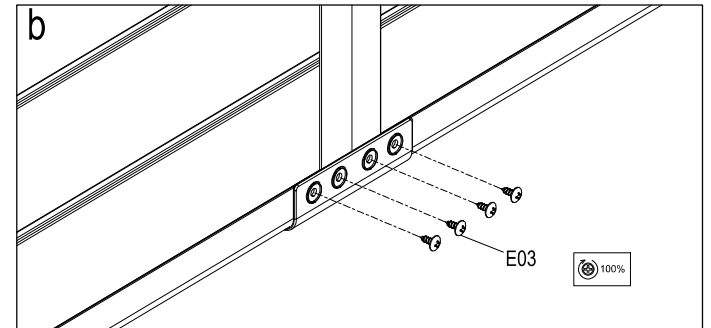
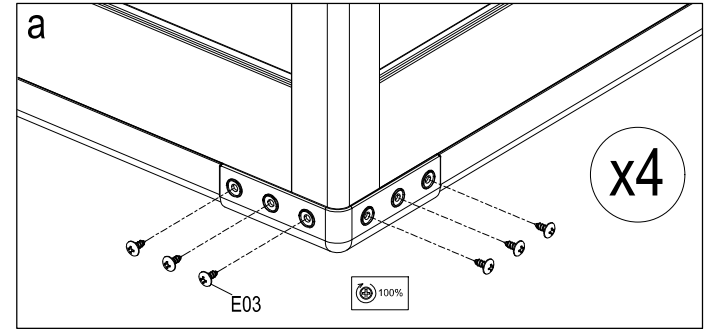
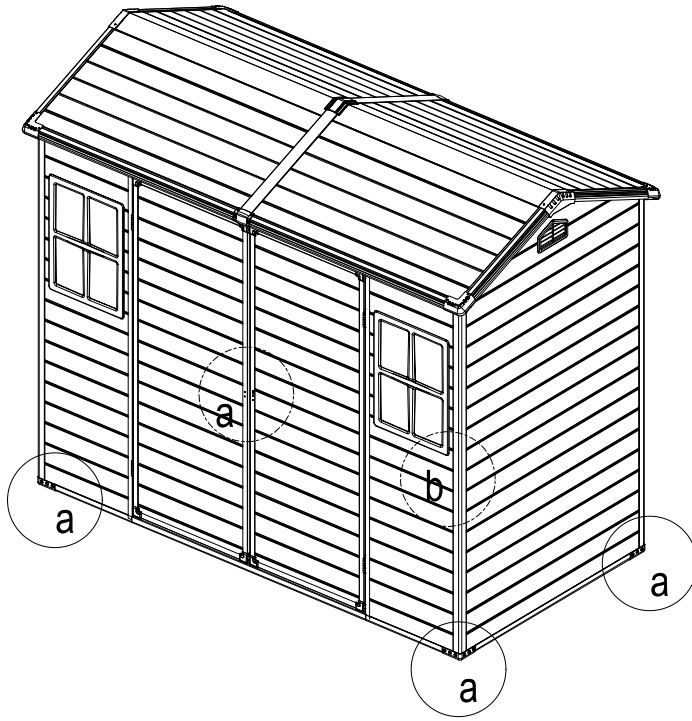
ATTENTION!!!

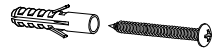
When the door is not vertical or parallel after installation, please make appropriate adjustments according to the following figure.



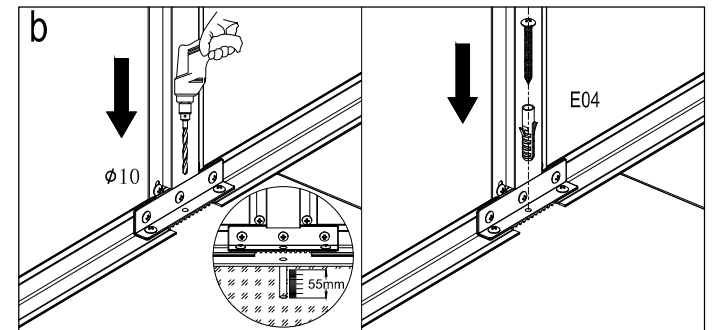
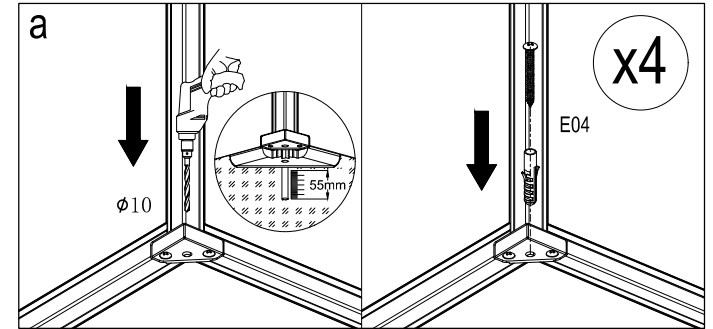
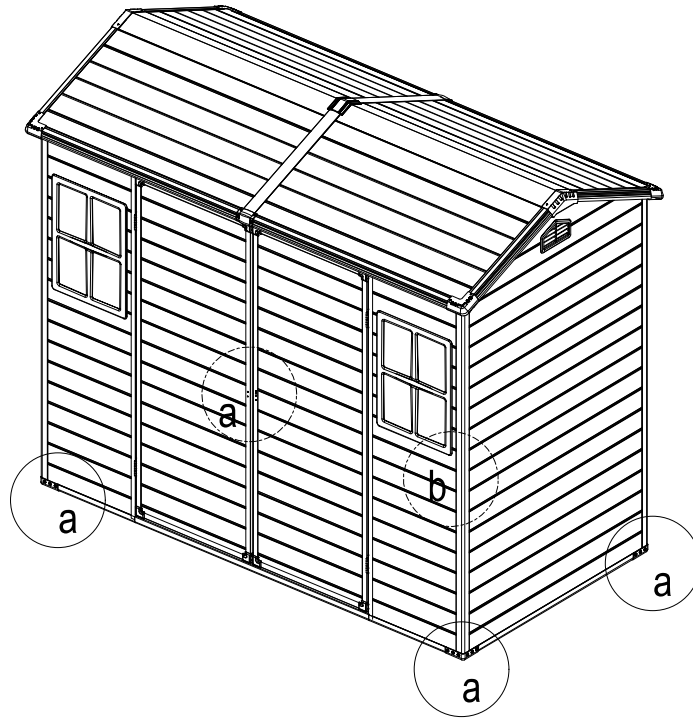


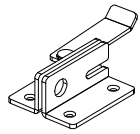
(ST4,8x19)
E03x28



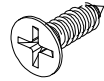


E04x5





F35-D02x1



(ST4.2x13)
E01x4

