



Jewelry Armoire

Assembly INSTRUCTIONS

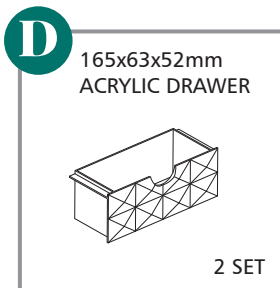
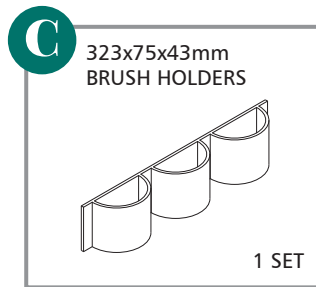
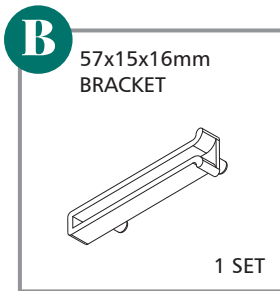
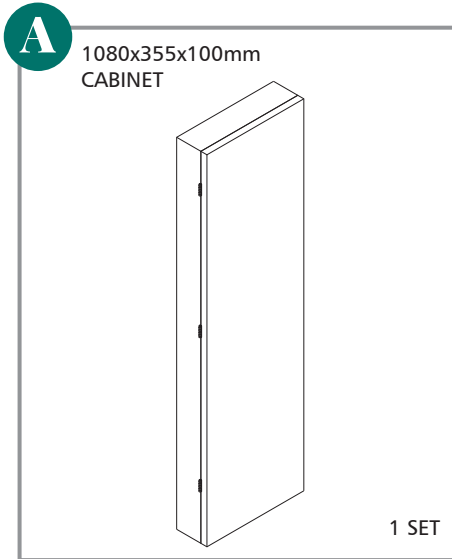
Designed by Professionals, for Professionals

Important Reminders

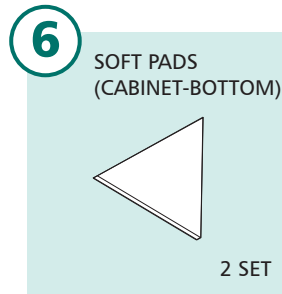
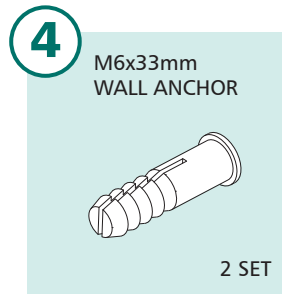
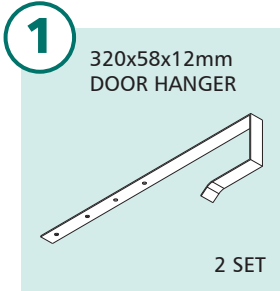
Please read the important reminders below before you begin with the assembly

- Use the product in accordance with the intended purpose.
- When transferring the product to a third party, please hand on the instruction and safety warning as well.
- During the assembly process, if you need further information, or have special difficulties, which are not included in the instruction, please consult with the manufacturer.
- This work is copyrighted and belongs to us.
- No part may be reproduced by any process, including copying, selling, revision, translating, etc. without written permission from us.
- The product is mainly used as a mirror and storage cabinet.
- Do not use the product in a way inconsistent with the manufacturer's instructions or intended purpose.
- The seller does not assume any responsibility or liability with respect to any damage caused by incorrect assembly or improper use.
- Please check if the cabinet body is intact and if the accessories are complete before use.
- Follow the assembly steps shown in the diagram to position and adjust the parts, then gradually tighten all screws (note: do not tighten excessively).
- Tighten bolts and screws every 90 days for optimum performance.

Parts & Components



Hardware



Additional Facts



10 min
Assembly Time
(Approx)



8.5kg
Load Capacity



Can be assembled
by 1 person

Required Tools & Accessories



Philips
Screwdriver



6 AA Batteries

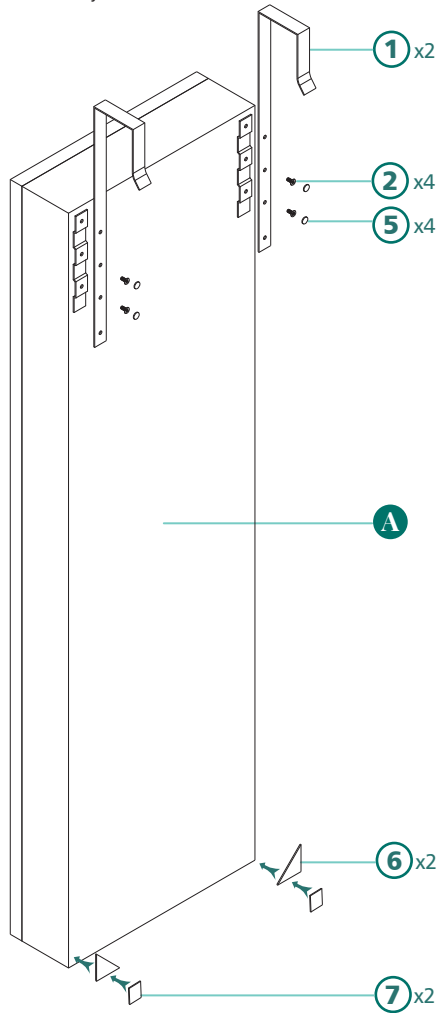
Over-The-Door Assembly

STEP

1

Setting Up

- Make sure that all parts are complete and securely fastened
- Use the EVA pads at the bottom to add more stability



Designed by Professionals, for Professionals

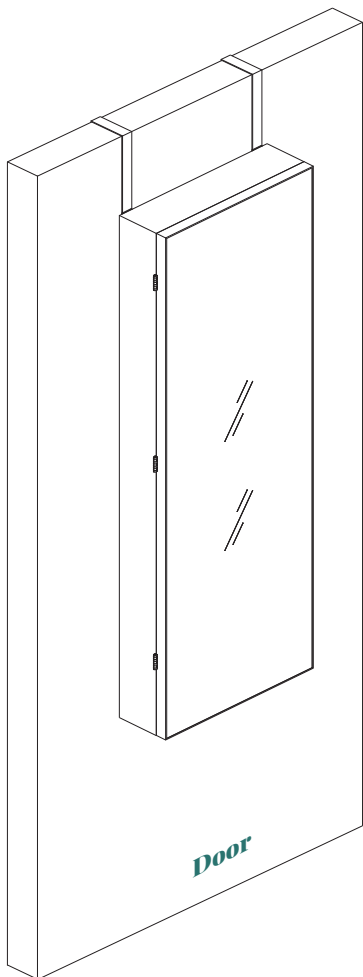
Over-The-Door Assembly

STEP

2

Align and Hang

- Determine your desired height preference and choose from 3 levels
- Make sure that both hangers are properly aligned
- Hang over the door carefully



Designed by Professionals, for Professionals

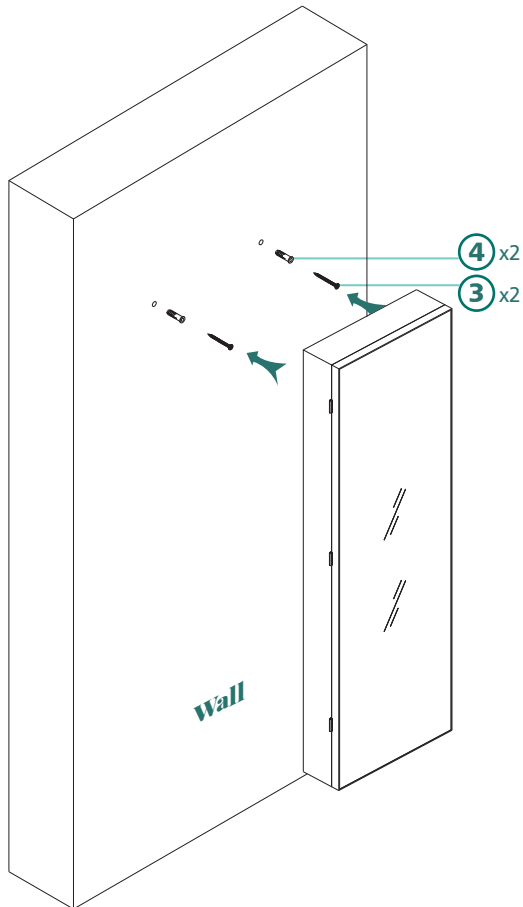
Wall-Mounted Assembly

STEP

1

Mark

- Determine your height preference
- Mark the wall and drill in two holes
- Insert the wall anchors before inserting the screws
- Make sure that the screws are securely fastened before mounting the cabinet



Designed by Professionals, for Professionals

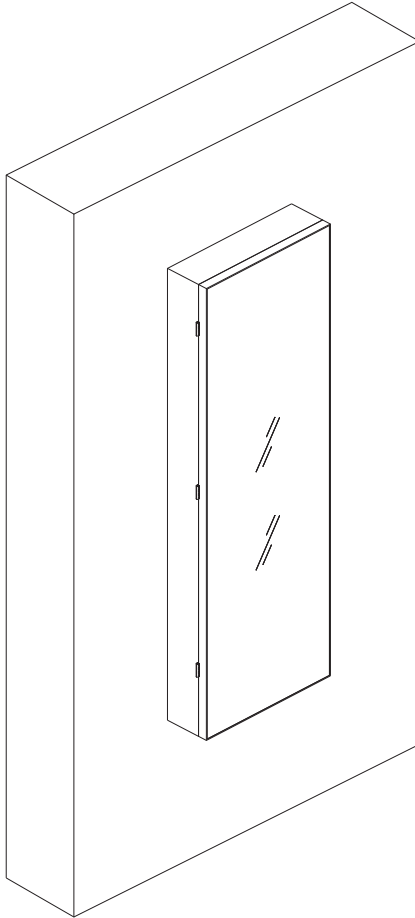
Wall-Mounted Assembly

STEP

2

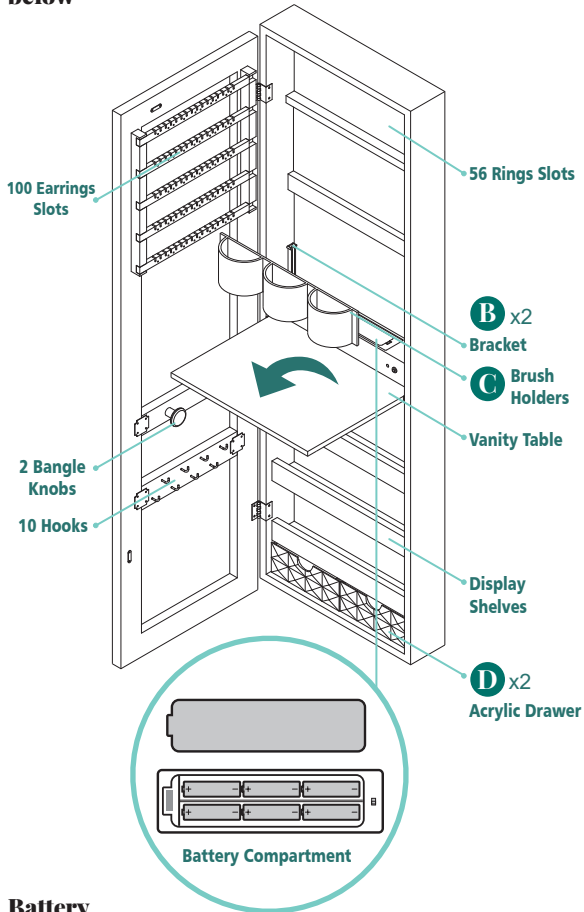
Mount

- Mount the cabinet towards the screws on the wall
- Make sure that the cabinet is properly aligned and firmly attached
- Note: The door should not close or open by itself if the cabinet is properly aligned to the wall



Designed by Professionals, for Professionals

Follow the assembly steps shown in the diagram below



Battery

- Remove the battery cover and insert the 6 (AA) batteries
- Align the batteries to the correct terminals (+/-) and cover

LED Light Settings

- Press the left switch to shift to different color temperatures
- Right switch automatically activates the lights when the table is down

Designed by Professionals, for Professionals