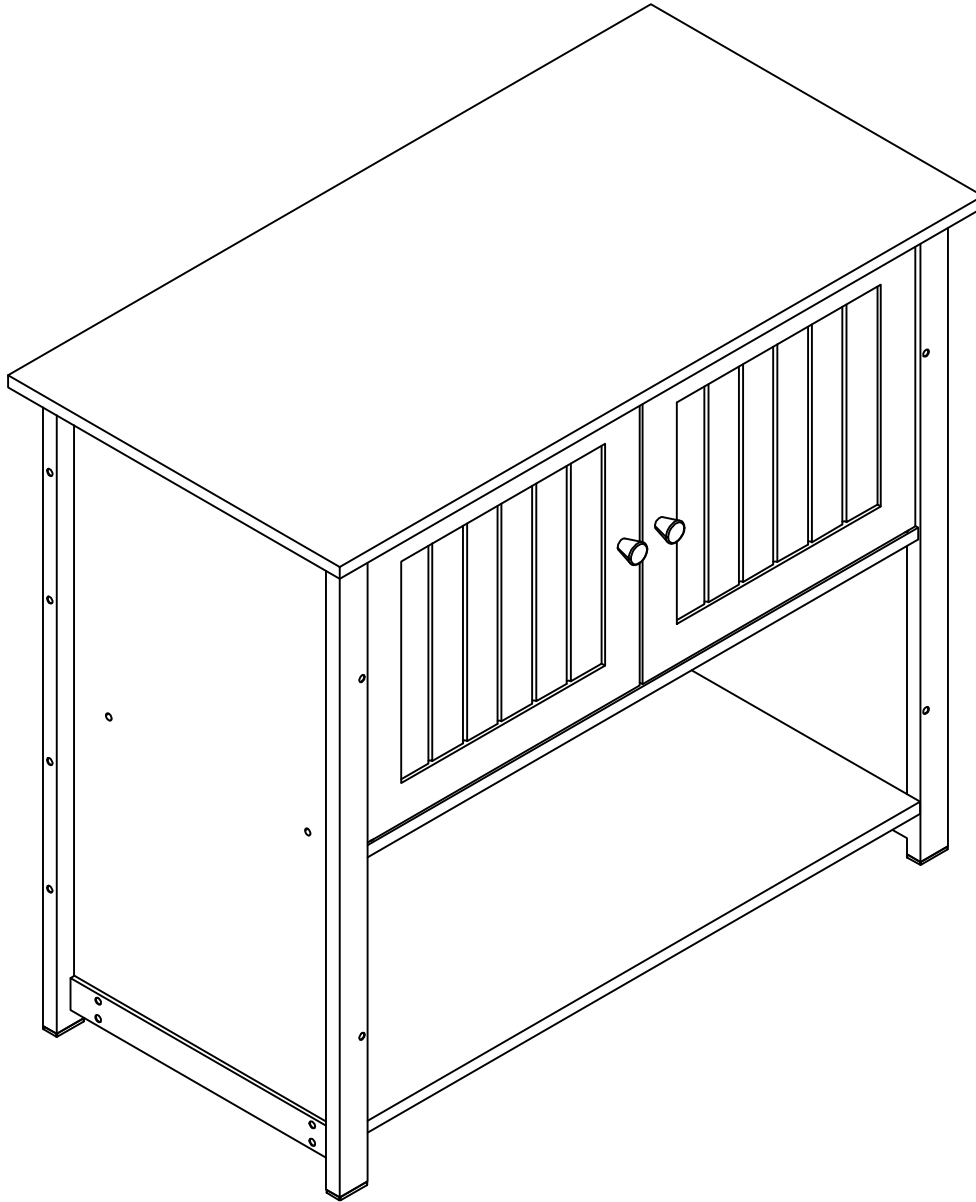


# Fish tank cabinet





## General Guidelines

- Please read the following instructions carefully and use the product accordingly.
- Please keep this manual and hand it over when you transfer the product.
- This summary may not include every detail of all variations and considered steps. Please contact us when further information and help are needed.

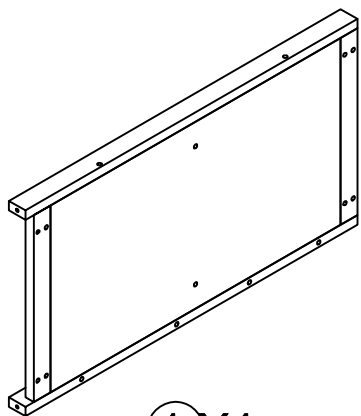
## Notes

- The product is intended for indoor use only. The product must be assembled and used in accordance with the provisions of the manual. Personal injury and/or damage to the product may occur if products are used outside of their intended purposes and/or if products have been changed/modified from their original design.
- The seller does not assume any responsibility or liability with respect to any injury/damage caused by incorrect assembly or improper use.
- Avoid long-term exposure to humid environments to prevent mildew.
- Keep the product away from fire sources and high temperatures. Do not expose the product to direct sunlight.
- Do not place any hot objects on the surface of the product.
- If there are any defective or missing parts after unpacking, please cease assembly immediately and contact us.
- Please assemble the item on a spacious surface and do not place the unwrapped product directly on the ground to avoid product damage.
- Please do not stand or sit on the wooden boards.
- Please wear gloves during the assembly and/or disassembly process to avoid scratches from any sharp edges.
- Please match the corresponding part and fitting based on the part number in the manual.
- If the part does not match with the fitting, please check the piece as specified in this manual.
- During assembly, first loosely align all screws with the corresponding pre-drilled holes and then tighten the screws one by one.
- Periodically inspect screw tightness while the product is in use. If necessary, retighten to ensure structural integrity.
- If you accidentally spill water or another liquid on the surface, immediately wipe clean with a dry towel.
- Please keep the product away from sharp, pointed objects and corrosive substances to prevent product damage.
- Please place this item on level, solid ground during use.

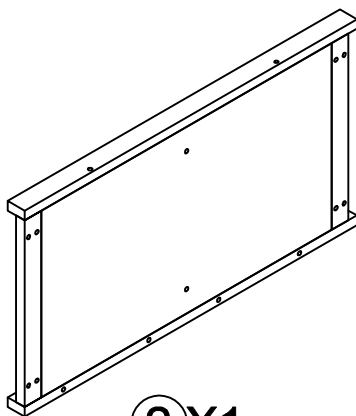
## Warnings

- During assembly, keep all small parts out of the reach of children. It may be fatal if swallowed or inhaled.
- Children should not climb or play on the product in order to avoid tipping over the furniture and causing serious injury.
- To avoid the potential dangers of suffocation, please keep all parts and packaging (film, plastic bags, foam, etc.) away from babies and children.
- Keep sharp objects and corrosive items away from the product to avoid any damage or injury.
- Do not shake or move violently during use to avoid tipping over the product.

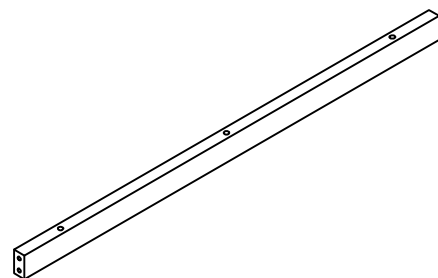
# Part list



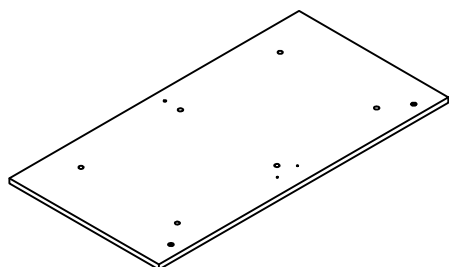
① X1



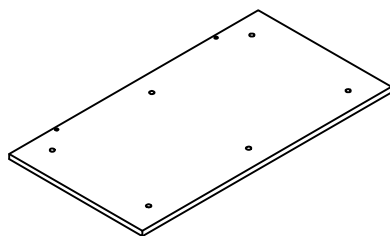
② X1



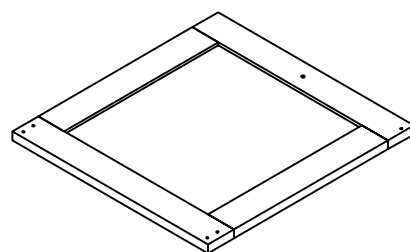
③ X4



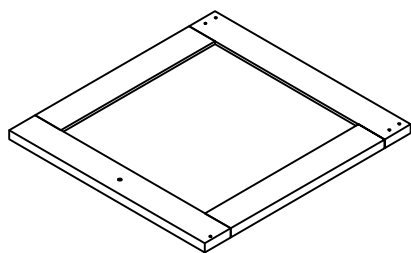
④ X1



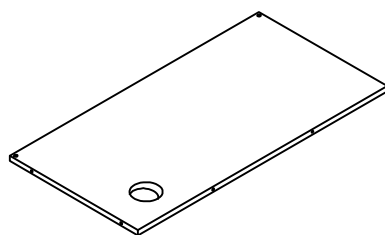
⑤ X1



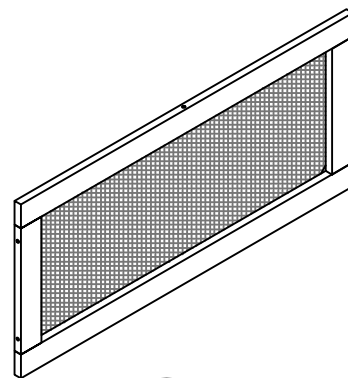
⑥ X1



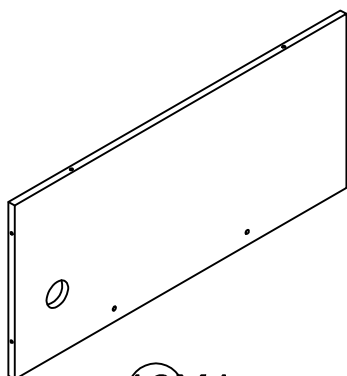
⑦ X1



⑧ X1

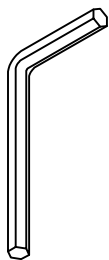


⑨ X1

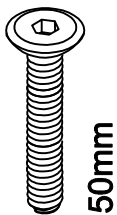


⑩ X1

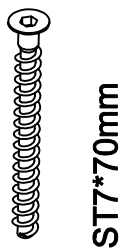
# Hardware list



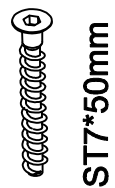
Ⓐ X1



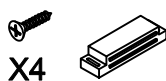
Ⓑ X28



Ⓒ X8



Ⓓ X8

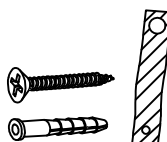


X4

Ⓔ X1



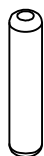
Ⓕ X4



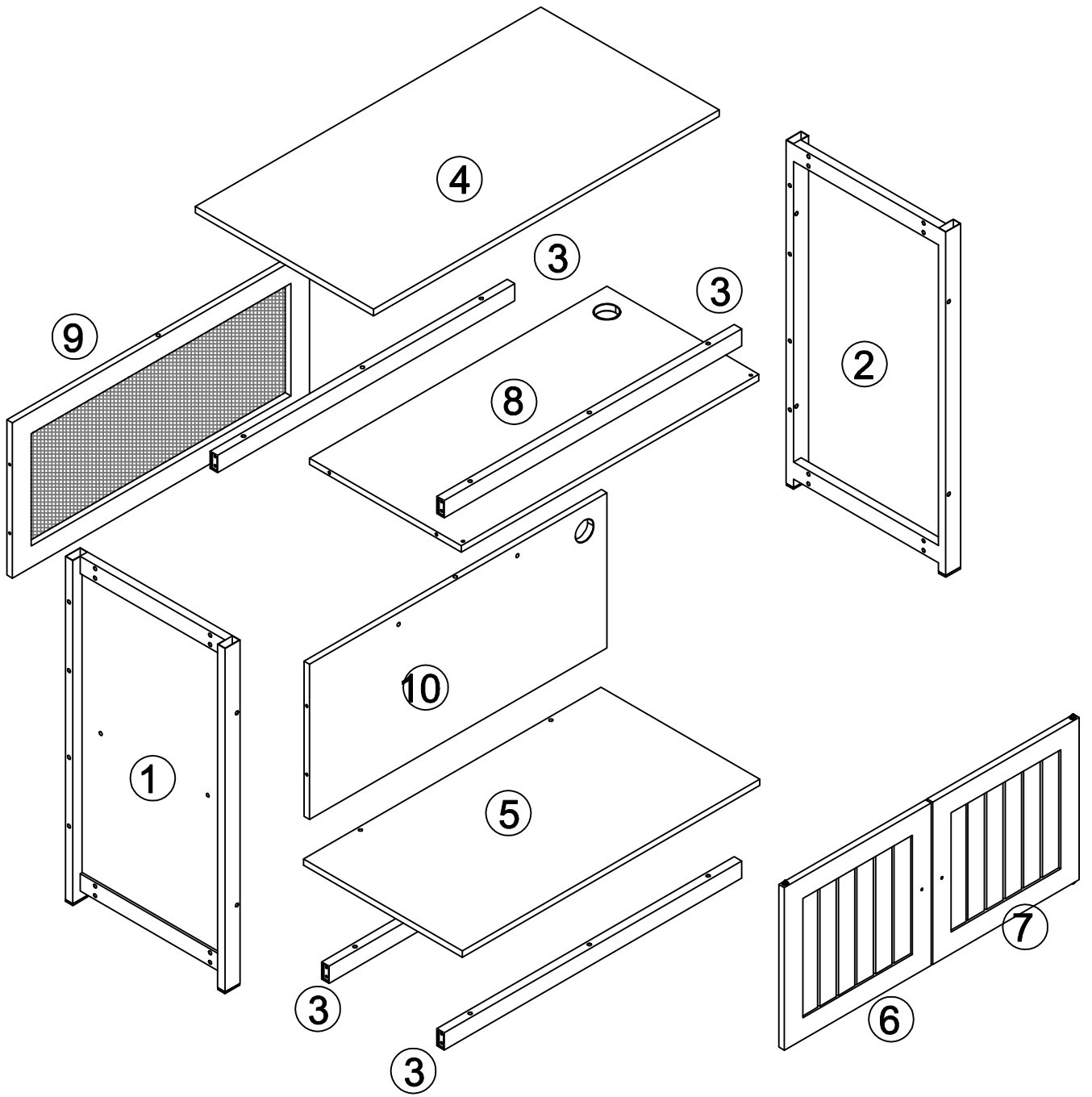
Ⓖ X2



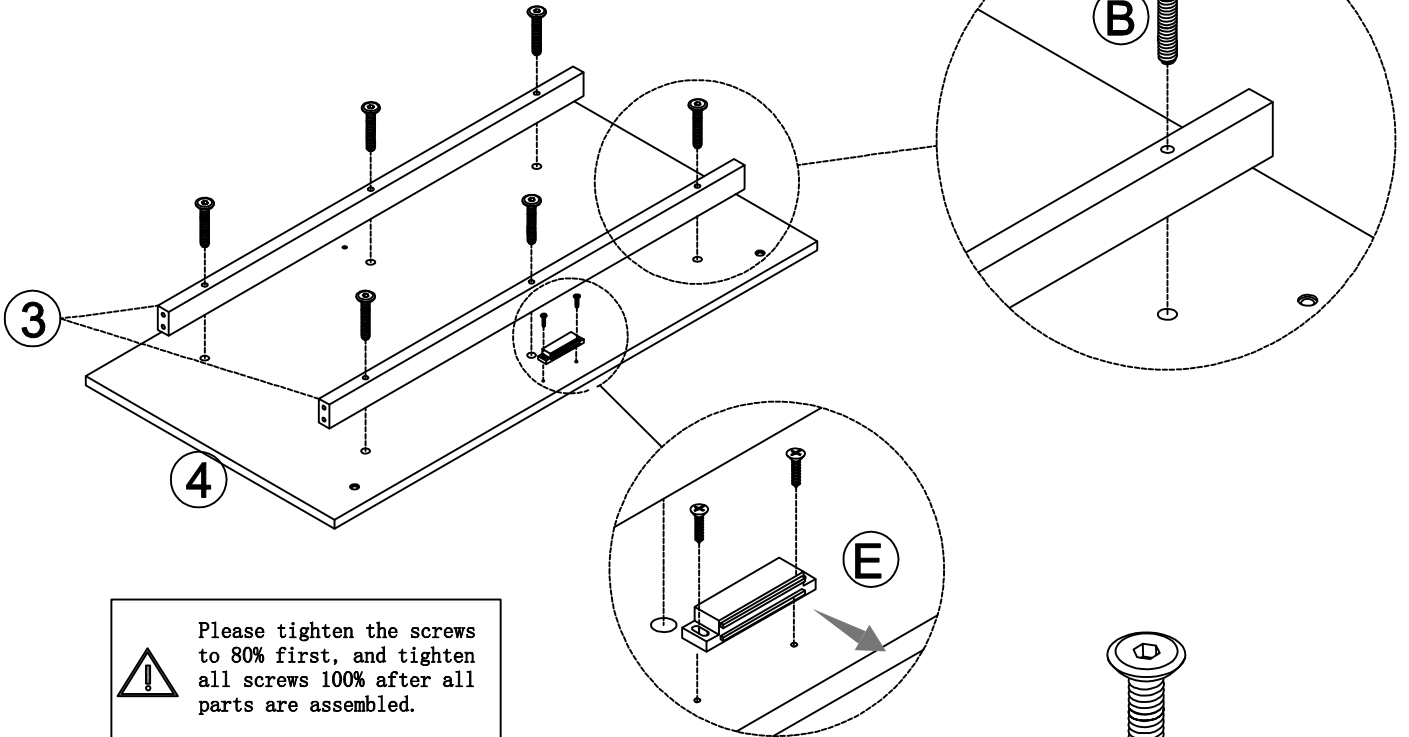
Ⓗ X2




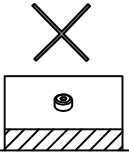
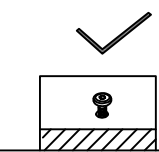
Ⓘ X2

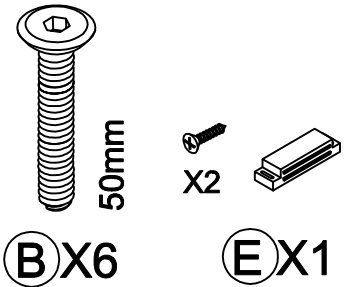


1

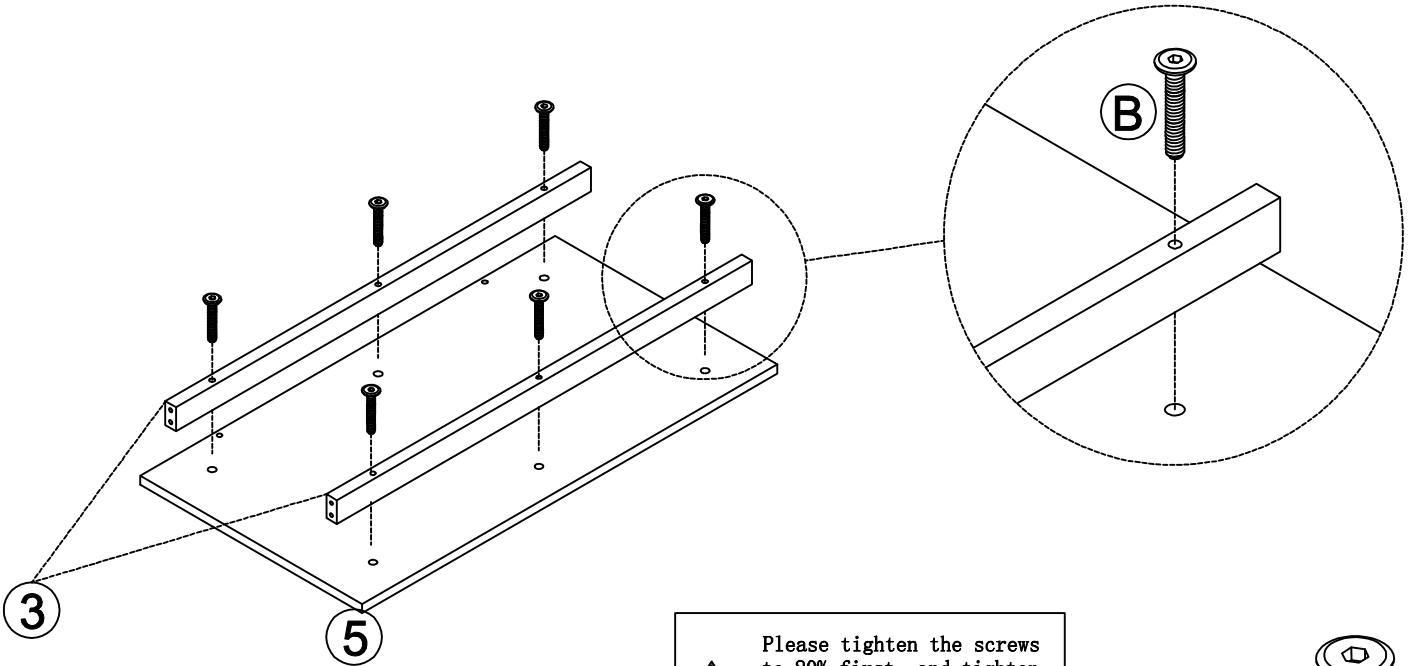




 Please tighten the screws to 80% first, and tighten all screws 100% after all parts are assembled.

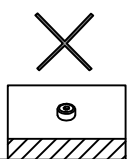
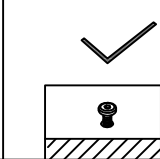
	
--	--

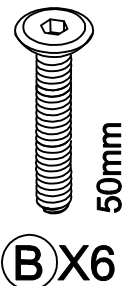


2



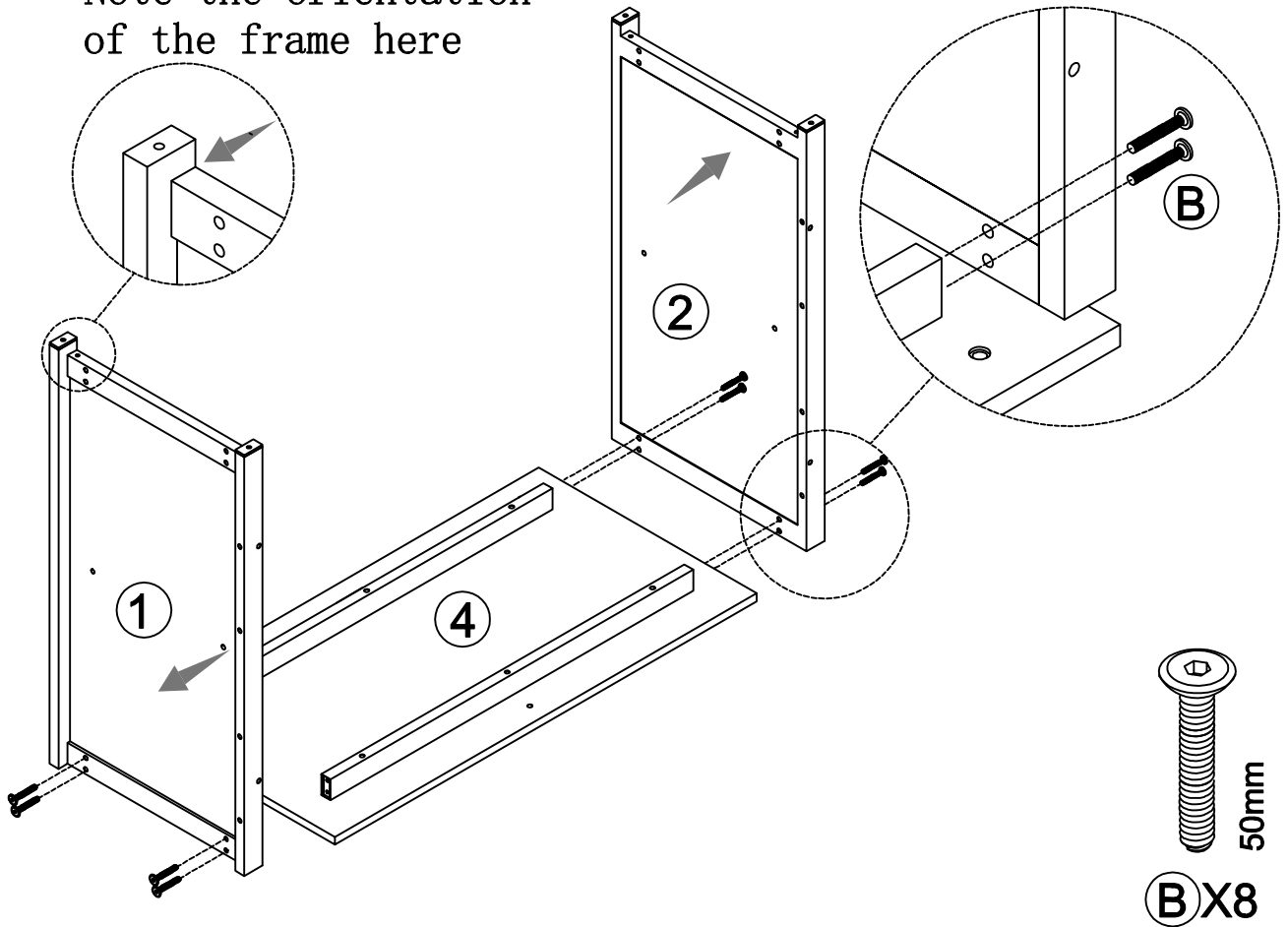

 Please tighten the screws to 80% first, and tighten all screws 100% after all parts are assembled.

	
---	--

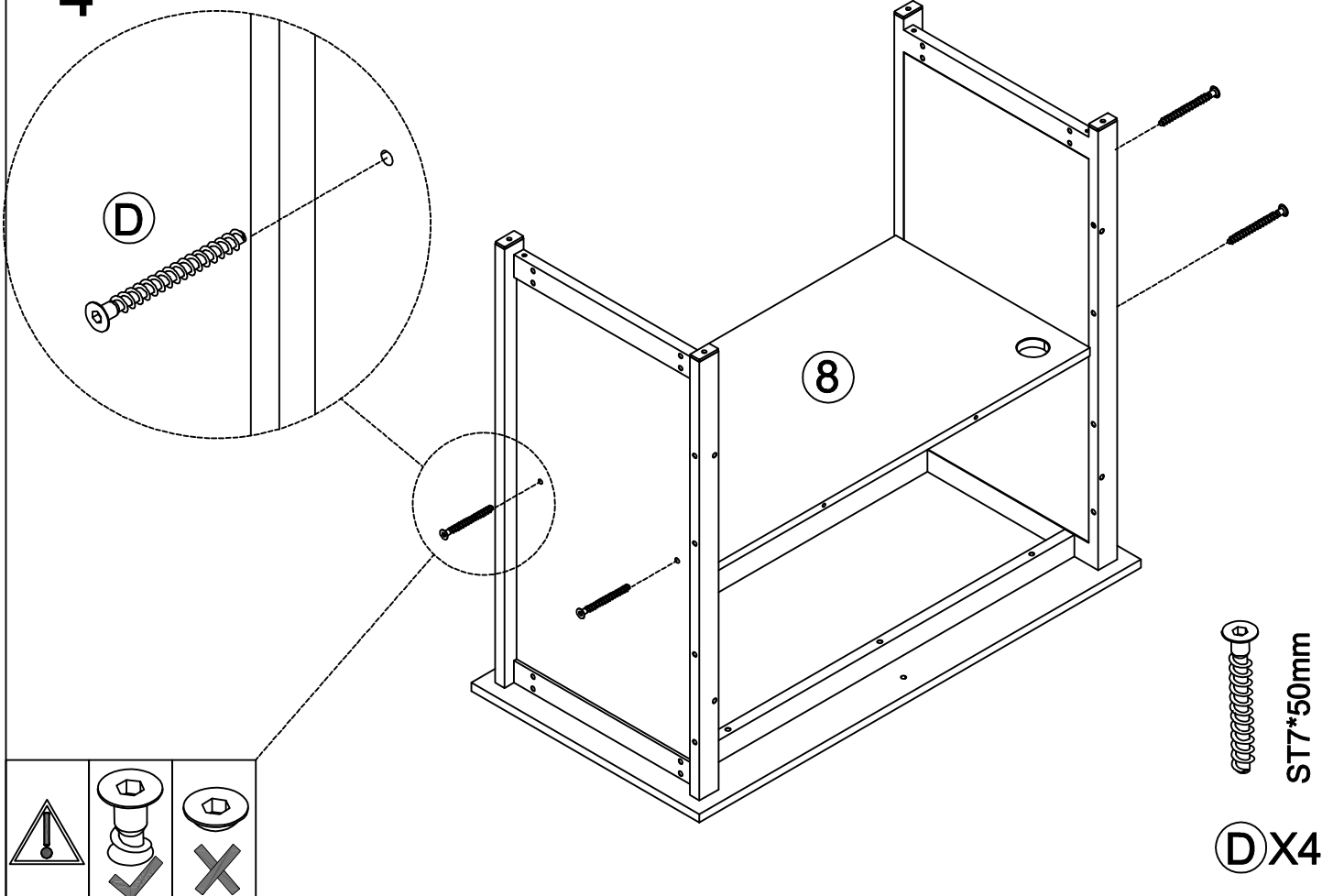


3

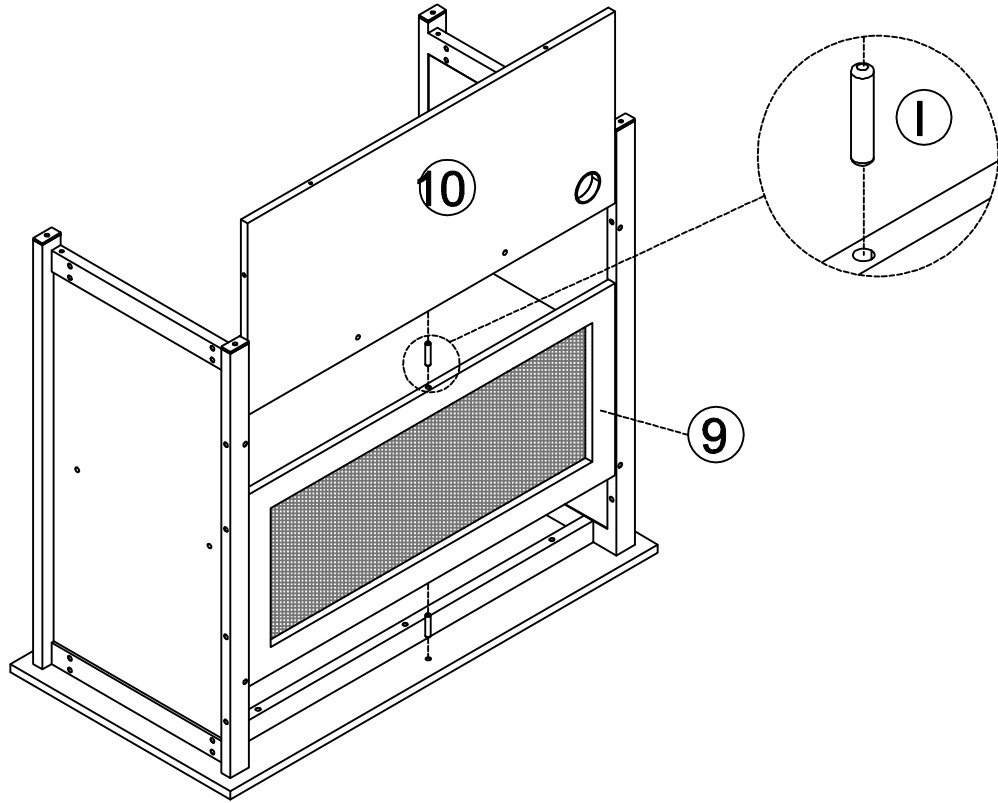
Note the orientation  
of the frame here




4

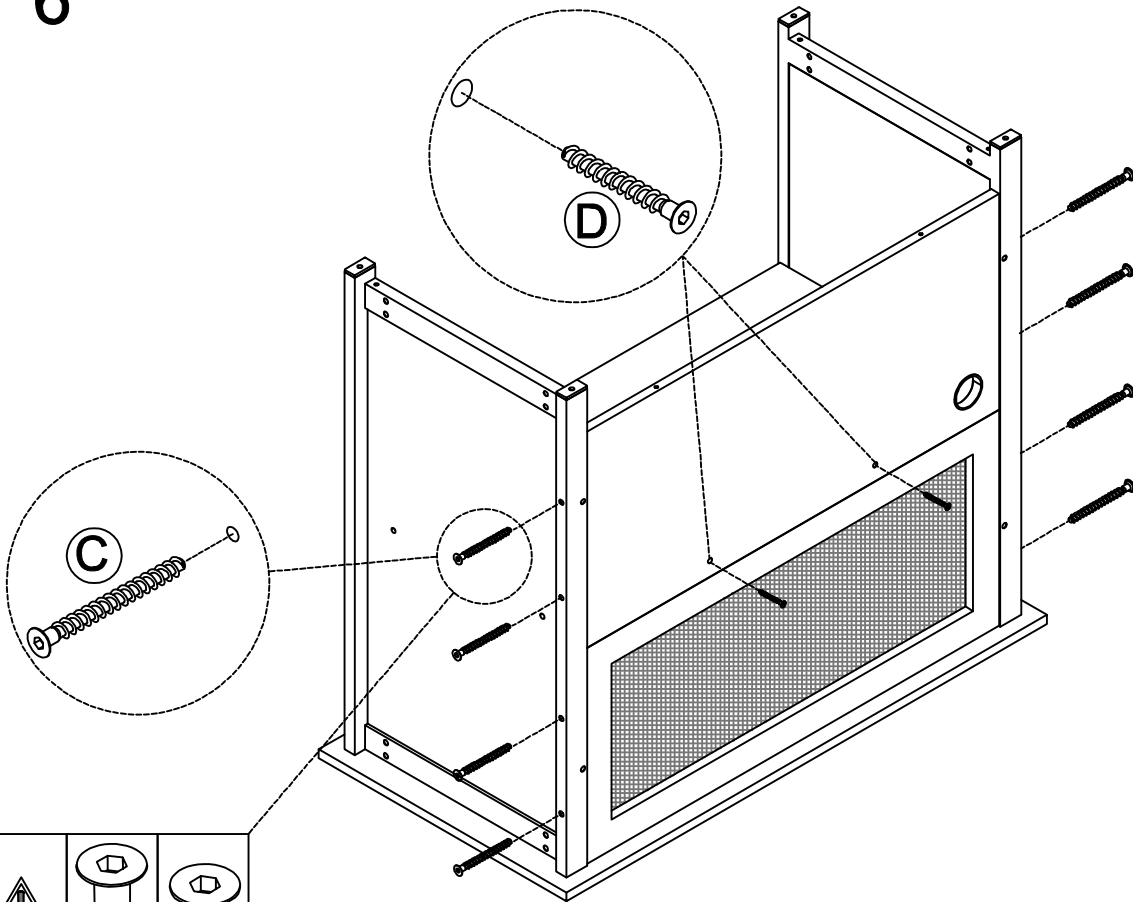



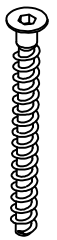
5



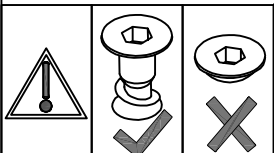
  
I X2

6

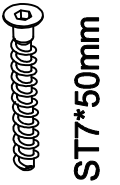
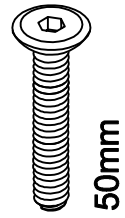
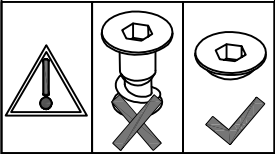
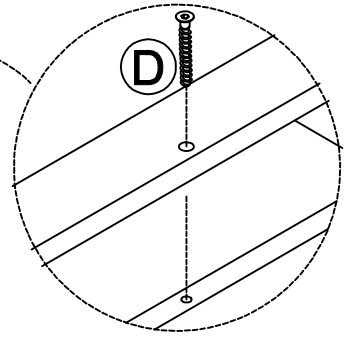
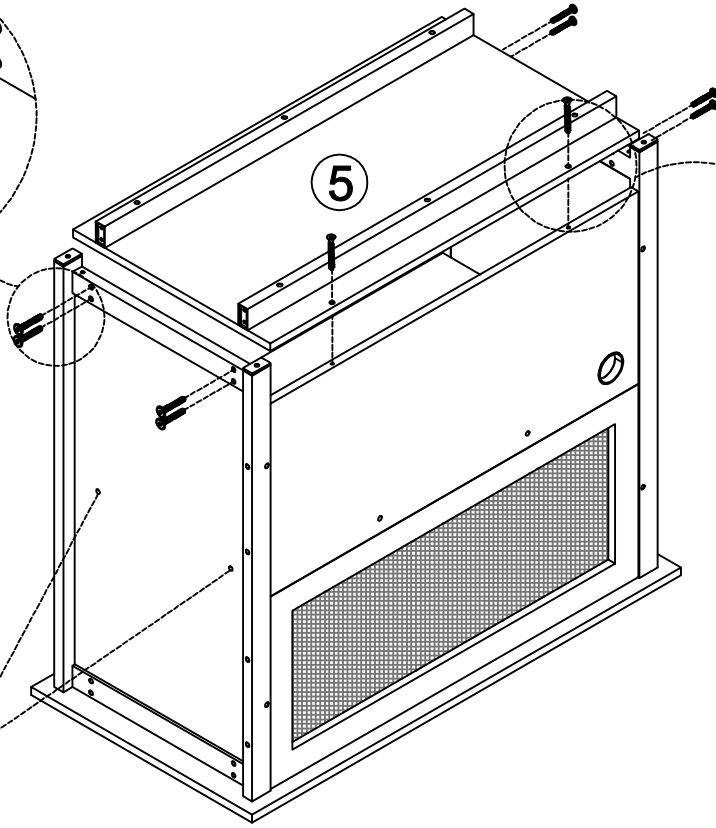
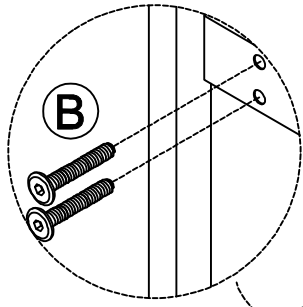


 ST7\*50mm  
 ST7\*70mm

D X2 C X8

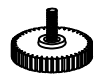
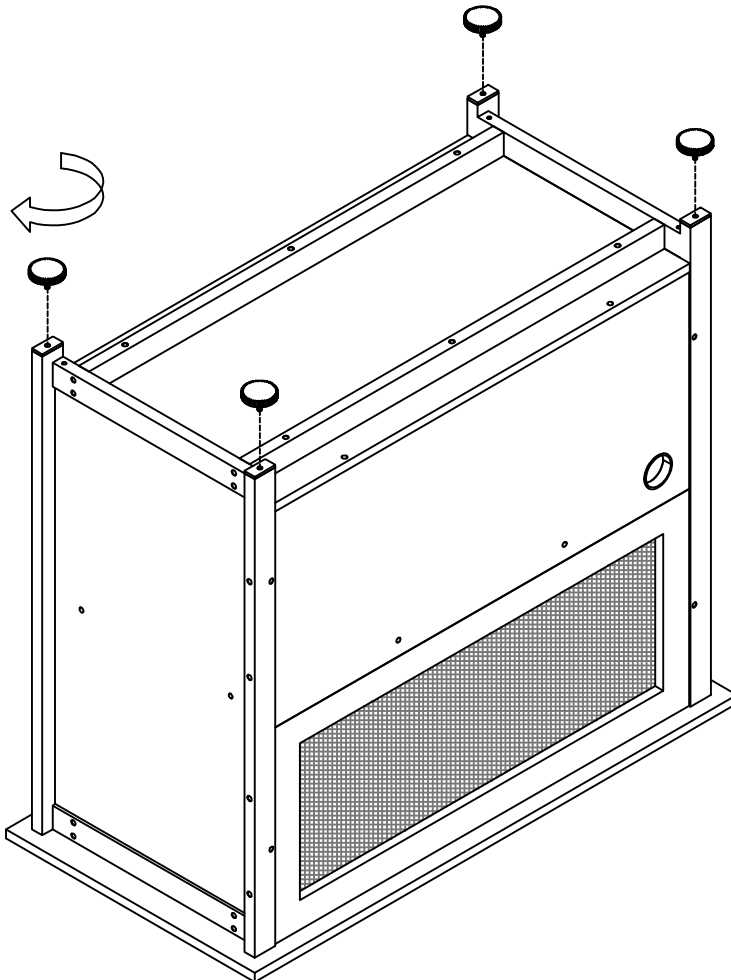


7



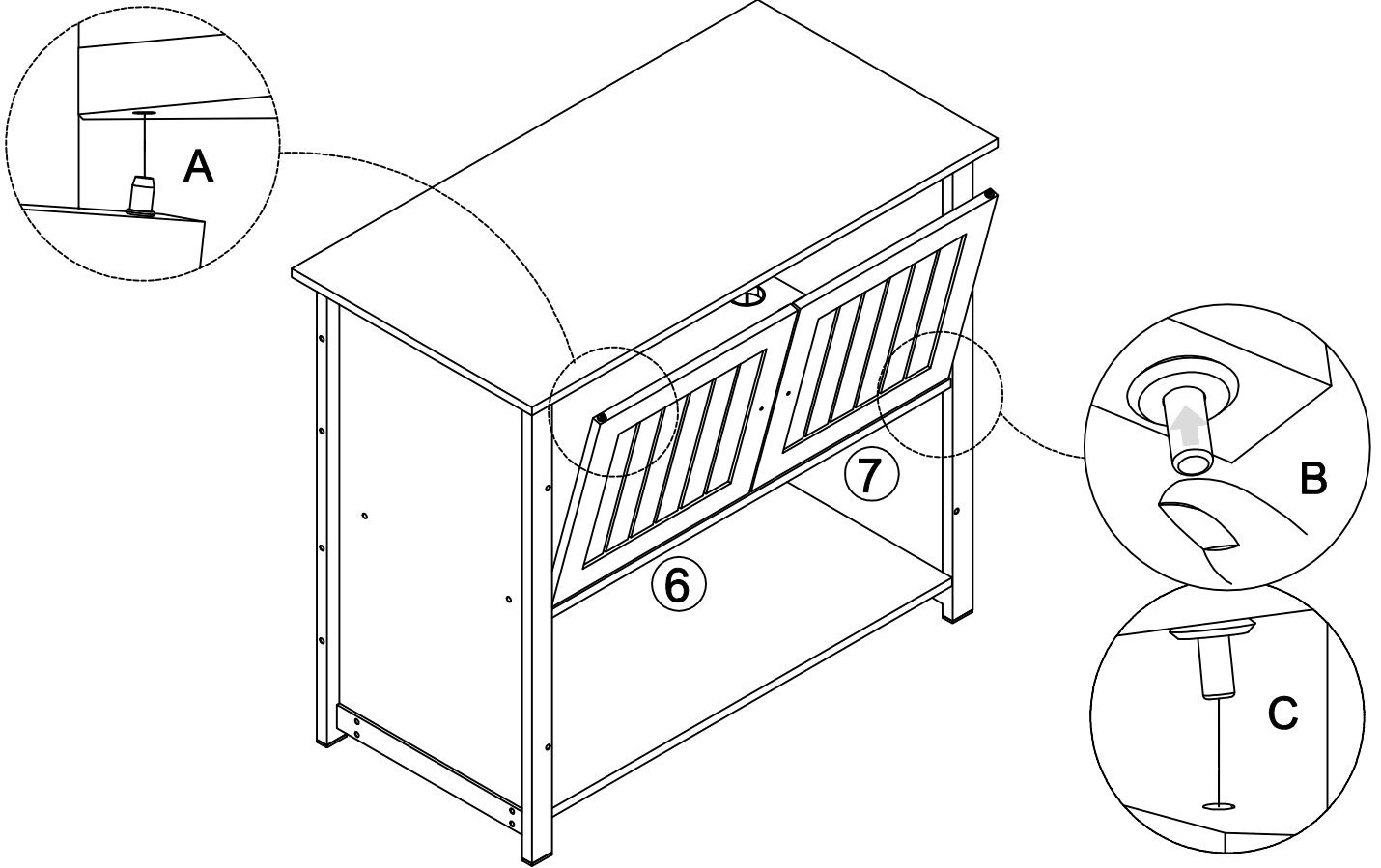
(B) X8 (D) X2

8

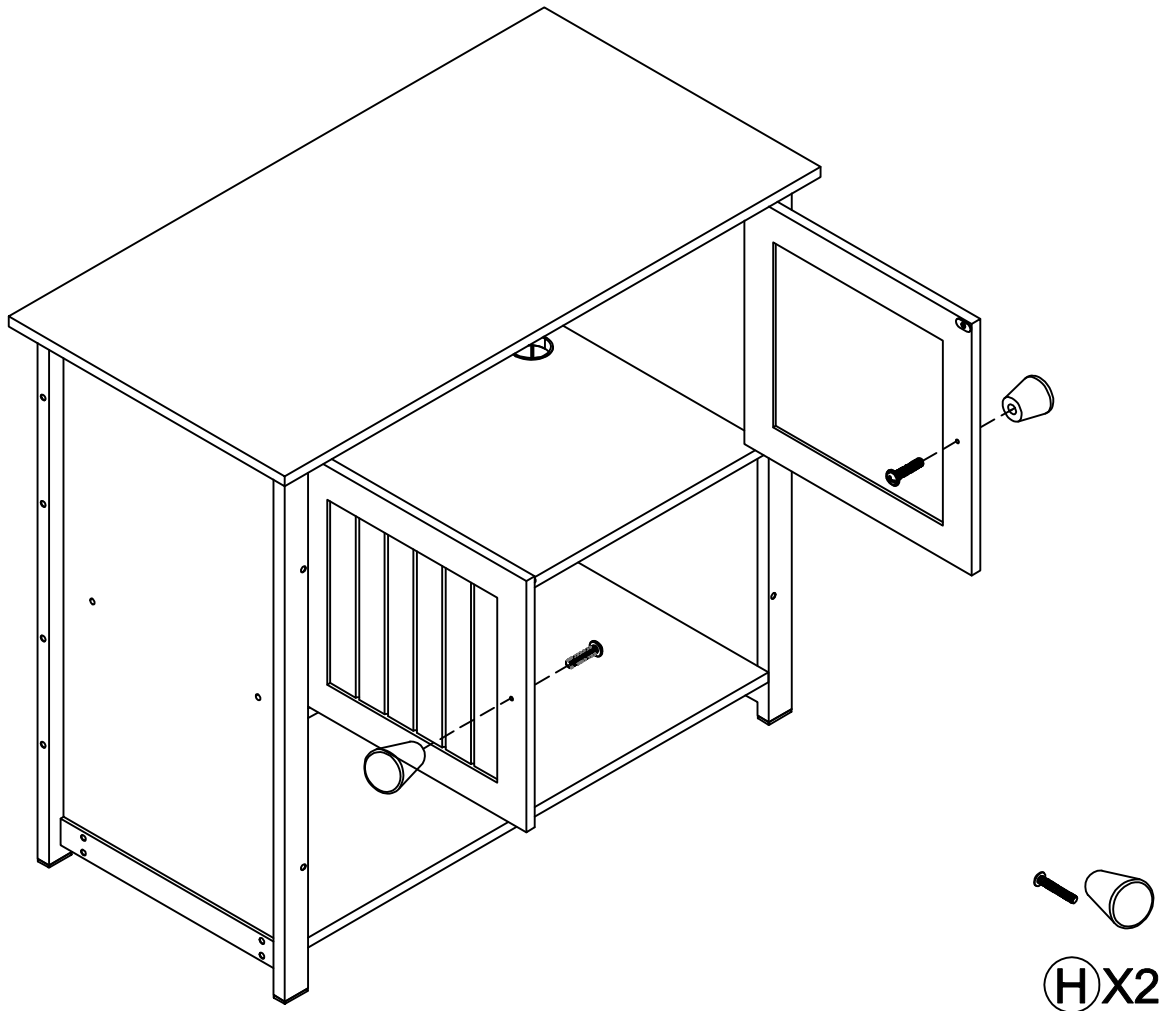


(F) X4

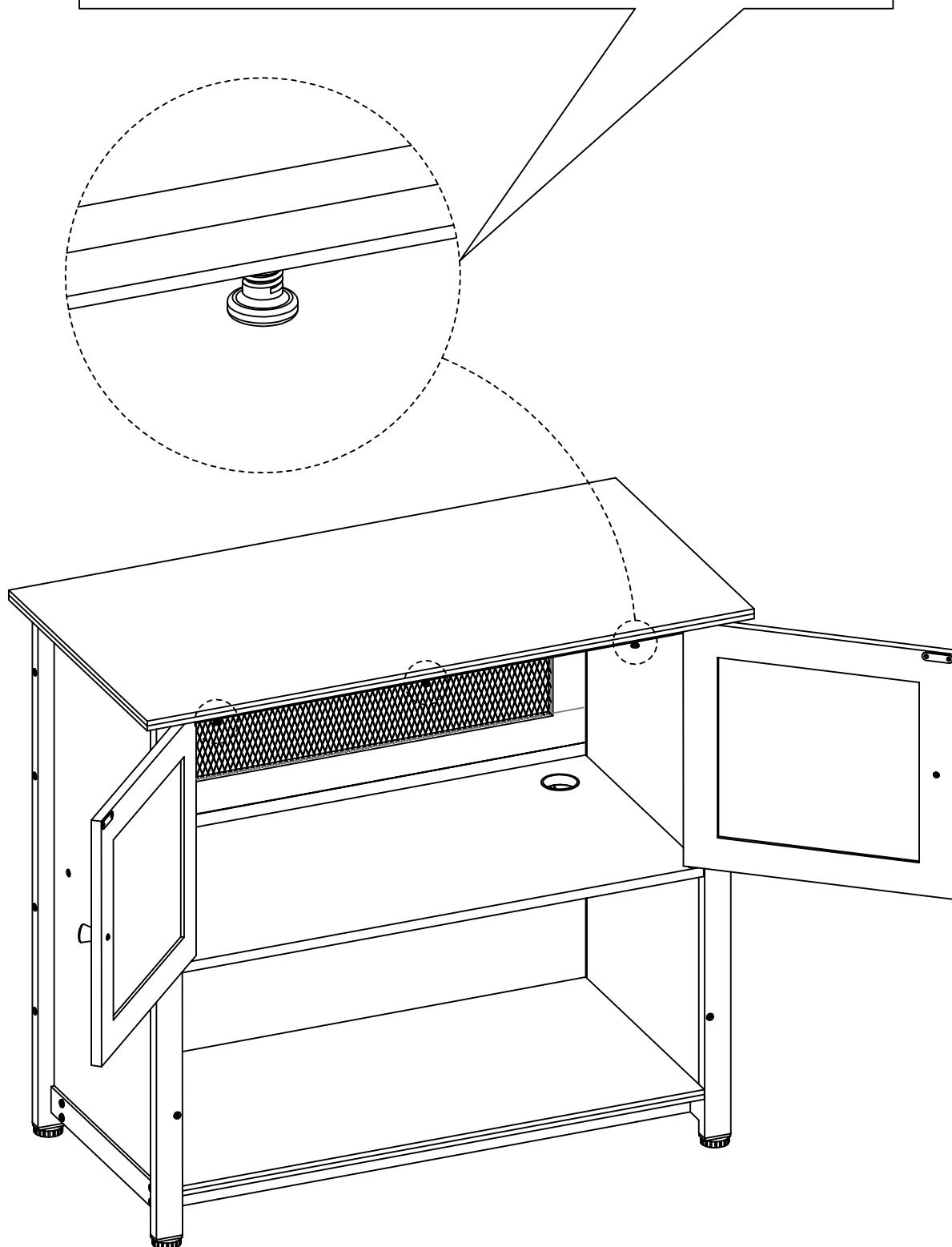
9



10

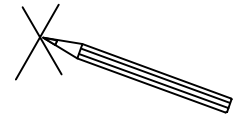


**Note:** After the door panel is installed, adjust the position of the top plate screws and turn the previously untightened screws to 100%

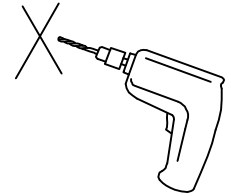


12

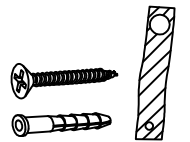
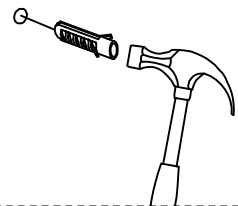
Draw positioning



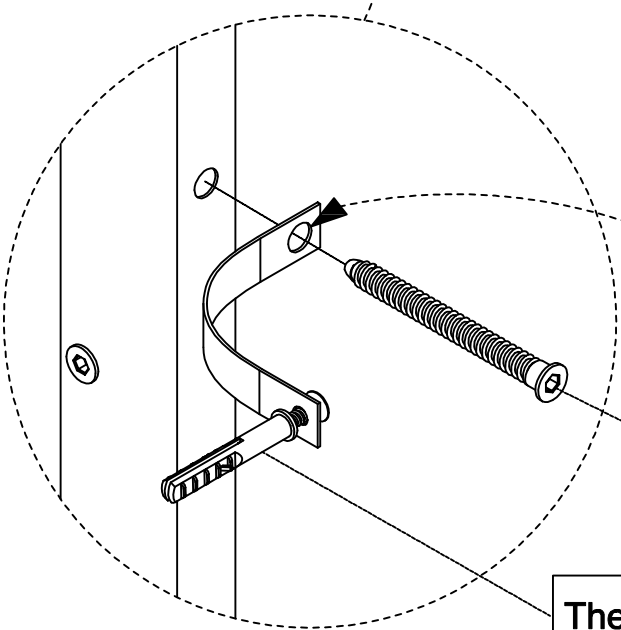
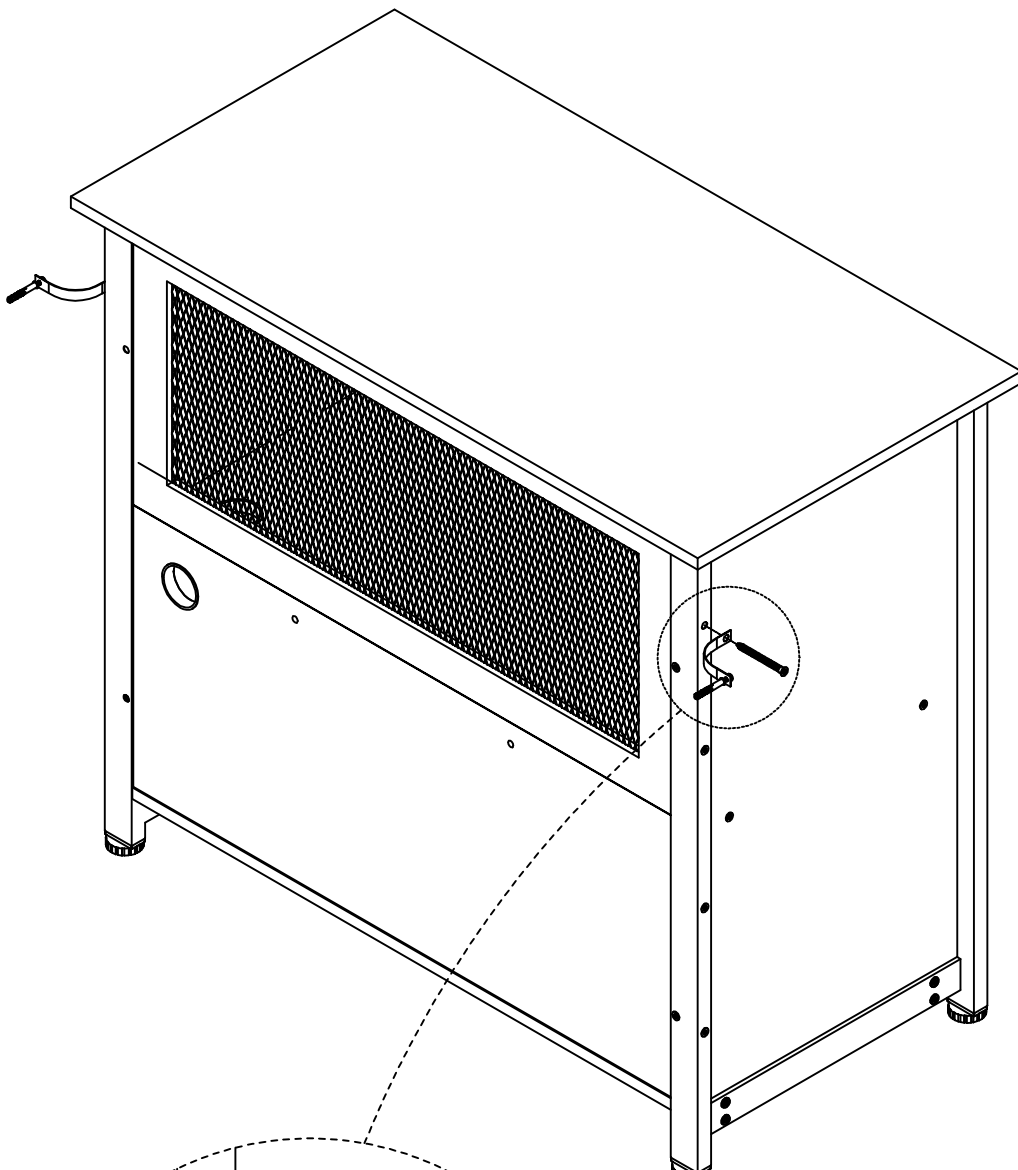
Punch holes



Mounting screws



ⓐ X2



This is the installation position of the anti-tipping device, and the side with the larger hole is installed on the product

This screw is pre-installed on the product

The screw is installed in the wall