

User Guidelines

It is our pleasure to provide you with our products.
Please read this manual carefully before installation and use.

Thank you for purchasing the sofa carefully designed and manufactured by our company for you.

In order for you to be satisfied with our products and services, please read this Instruction Manual carefully before use and save it for future reference. According to the recommendations in this manual, you can use and maintain your sofa correctly. And we will not compensate for below personal injuries and losses caused by failure to read this

instruction manual carefully before installation: Not properly installed according to the procedures of the instruction manual. Not in accordance with the normal operation of the use of the program so that the parts slip or

fall and hit the human body. Damage caused by force irresistible reasons, such as earthquake, fire, etc. No warranty certificate and valid invoice, the product model on the certificate does not match

the actual product. The warranty period is exceeded. The company reserves the right of final interpretation of this manual

Thank you again for choosing our products!

AFTER-SALE&NOTES FOR QUALITY ASSURANCE

4. Not in accordance with the product manual requirements (such as dropping, impact, extrusion and other man-made, external causes) caused damage of product.
5. Damage caused by improper disassembly and installation by individuals.
6. The failure or damage caused by accidental factors or man-made reasons: such as long-term exposure to the sun caused by the product damage caused by cigarette burns, sharp objects, pet bites or corrosive chemical liquids. Products have been colored dyes, ball-point pens, oily markers or juice, coffee and other colored beverages caused by the surface contamination.
7. Damage to the product caused by immersion in open water, etc; external equipment, additional third-party products or parts and products or parts that customers request to be loaded, attached parts.
8. Damage caused by natural disasters and other irresistible reasons (e.g. fire, earthquake).

■ Product after-sales notes

● The transportation process will lead to some irregular creases in the sofa, which will gradually disappear in the course of use. The cover will shrink back and forth due to your repeated pressure, long may appear wrinkled phenomenon are normal natural phenomenon. You can often tap the seat cushion and backrest to help restore the shape of the sofa.

● Sofa in use for a period of time, due to natural weathering, pollution after cleaning, etc., will make the fabric color lighter, commonly used parts and not commonly used parts, due to the different friction force will also gradually produce color differences, commonly used parts may be due to frequent friction of normal loss.

● Because the sofa in the material and production process is completely different, the degree of absorption and reflection of light is also different, therefore, through the exposure to different light will appear a slight color difference;

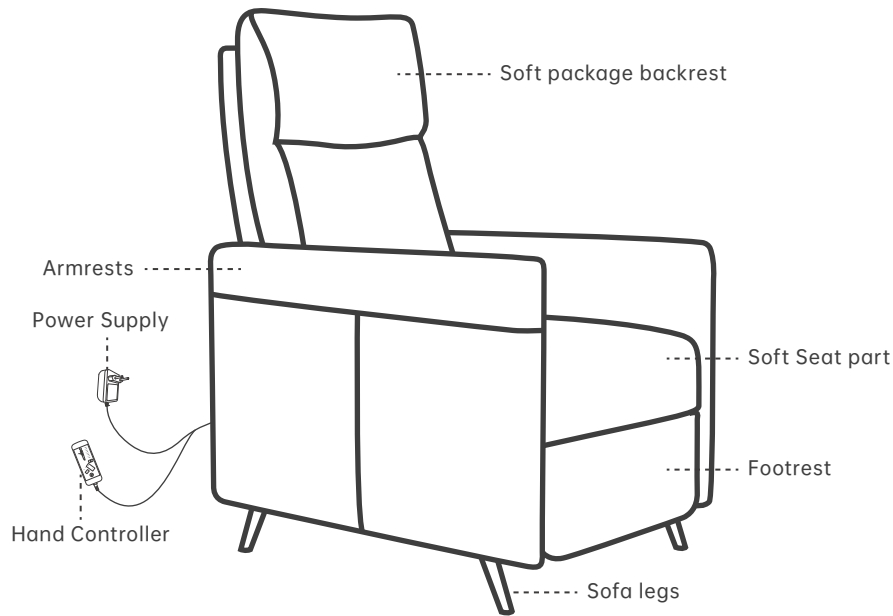
■ Product Warranty Notes:

● The following cases do not implement free after-sales service, only paid service

1. The product or accessories have exceeded the warranty period.
2. The sale has been clearly informed of the existence of defects in the product and indicated on the valid voucher.
3. Those that are sold at a reduced price due to product failure and have announced that they will not provide after-sales service.

CATALOGUE

■ PRODUCT MIX&TECHNICAL CHARACTERISTIC	01
■ ACCESSORIES LIST	02
■ INSTALLATION STEPS	03-08
■ MANUAL CONTROLLER FUNCTION MANUAL	09-10
■ TRANSPORTATION AND INSTALLATION	10
■ METHOD OF APPLICATION&MATTERS NEED ATTENTION	11-12
■ MAINTAIN AND NURSING METHODS	13-14
■ SAFETY NOTES FOR CHILDREN	14
■ AFTER-SALE&NOTES FOR QUALITY ASSURANCE	15-16



Product Name: Multifunctional sofa

Specification size: total length-27inch, total depth-35inch, total height-40inch; Seat depth-20.8inch, seat width-20inch, seat height-19.68inch

Main raw materials: textile fabric, sponge, functional alloy frame

Weight-bearing: 300 lbs

■ How to clean effectively?

In general, a soft cotton cloth can be soaked with a 1:20 soap tablet solution or 1:20 advanced shampoo, wrung out Wring out the water and wipe the stain gently. If the stain is too heavy, repeat several times and the stain will be removed. But do not use too much Do not use too much force, otherwise the fabric will be discolored.

■ How to remove stubborn stains?

If the sofa is stuck with chewing gum and other gum, available ice pack or ice water cooling, and then take a fine silk cloth gently wipe to remove.

SAFETY NOTES FOR CHILDREN

■ It is recommended that children are not allowed to use the device alone. The following aspects must be taken into account:

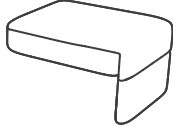
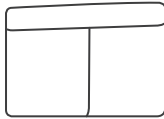
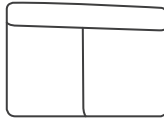


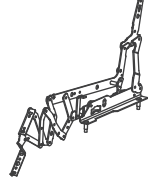
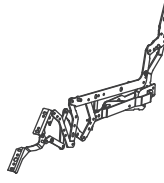
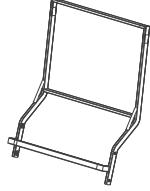
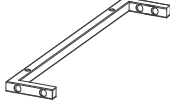
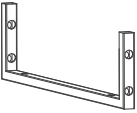

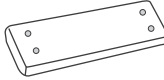

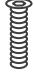
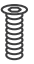





- 1.Never let children play alone on the sofa at will without adult supervision! Limbs may get caught in the product gaps and the sofa may tip back and cause the child to fall.
- 2.Do not allow children to stay near the sofa without adult supervision during the opening and closing process to avoid unnecessary injuries.

■ If you have to use the solvent to remove the stain spots, avoid applying directly to the stain spots, but should first be poured on a clean cloth, for the sake of safety first in the back of the hidden for cleaning treatment experiments. When cleaning the stain spot, you should wipe it in a circle from outside to inside until the dirty place is completely removed. Immediately after wiping, use a low-powered hair dryer to blow dry the cleaned area from the outside inwards one by one. When wiping stain spot must be gentle and careful, not too hard.

■ The massage sofa can be covered with a removable tight-fitting protective cover.

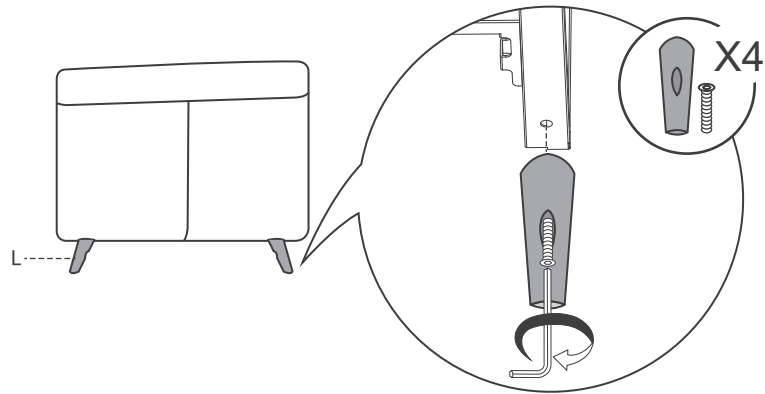
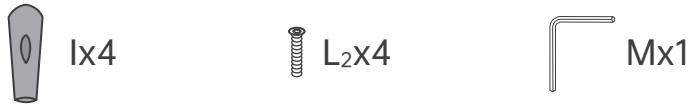
■ If you have covered the sofa with a protective cover, follow the instructions on the cover and use an oxidizing solution without bleach. cleaning solution that does not contain bleach or oxidizing agents. Otherwise, the texture and color of the fabric will change.

■ Vacuum regularly once a week, paying particular attention to removing dust from between the folds of the fabric. If there is a stain, you can wipe it off with a clean cloth dipped in water to avoid leaving a mark, preferably from the periphery of the stain.

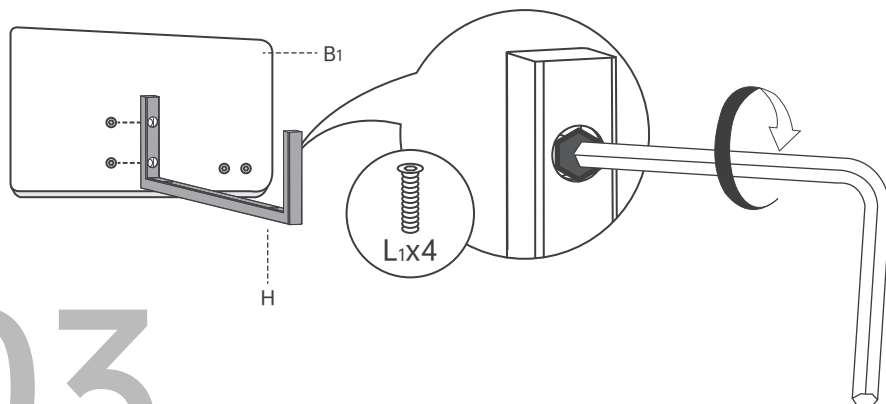
<p>A</p>  <p>Soft Seat Cushion</p>	<p>B₁</p>  <p>Armrests(right)</p>	<p>B₂</p>  <p>Armrests(left)</p>	<p>C</p>  <p>Soft Backrest Cushion</p>	<p>D</p>  <p>Iron Seat frame</p>
<p>E₁</p>  <p>Retractable Iron Frame (Right)</p>	<p>E₂</p>  <p>Retractable Iron Frame (Left)</p>	<p>F</p>  <p>Iron Backrest Frame</p>	<p>G</p>  <p>Linking Rod 1</p>	<p>H</p>  <p>Linking Rod 2</p>
<p>I</p>  <p>Sofa Legs</p>	<p>J</p>  <p>Lower legs Support Plate</p>	<p>K</p>  <p>Ankle support Plate</p>	<p>L₁</p>  <p>Hexagonal Screws (4)</p>	<p>L₂</p>  <p>Hexagonal Screws (4)</p>
<p>L₃</p>  <p>Hexagonal Screws (8)</p>	<p>L₄</p>  <p>Hexagonal Screws (8)</p>	<p>M</p>  <p>Hexagonal Wrench</p>	<p>N</p>  <p>Power Supply</p>	<p>O</p>  <p>Hand Controller</p>

INSTALLATION STEPS

Step 1 Sofa Legs



Step 2 Two linking rods



METHOD OF APPLICATION & MATTERS NEED ATTENTION

10. In order to avoid discomfort or injury caused by the use of this sofa, the following people should consult a physician or professional before using this product:

- People with serious malignant tumors
- Persons with serious heart disease
- Patients with osteoporosis and sciatica
- Pregnant women, women in labor, or those who are menstruating
- Those who have just undergone surgery and whose wounds have not yet healed
- Patients with medical electronic devices implanted in their bodies
- People with spinal cord disease, spinal fractures, muscle strains or breaks caused by accidents

MAINTAIN AND NURSING METHODS

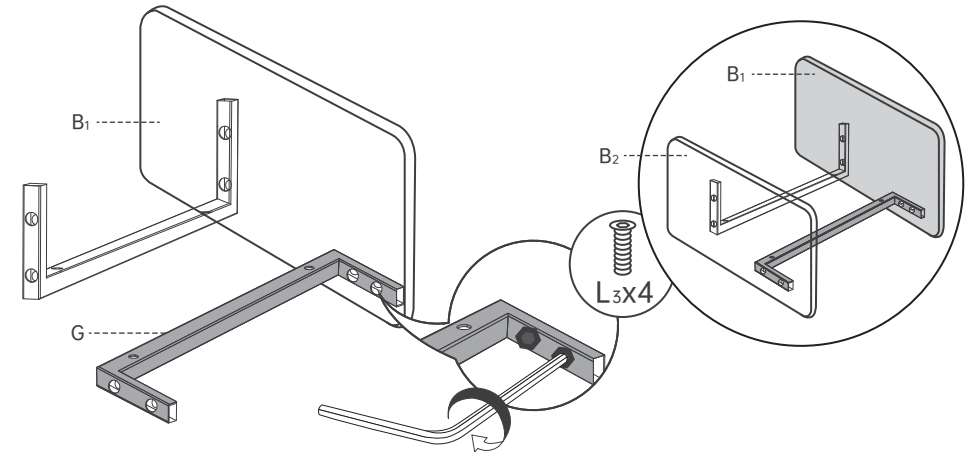
- You should avoid placing the sofa in direct sunlight. Remove dust, etc. with a vacuum cleaner every 10-15 days.
- When the stain is first applied, remove it immediately to avoid scraping or other destructive treatment, so as to preserve the quality of the fabric's finish. You can cover the surface of the sofa with a tightly fitting protective cover and wipe it with a soft white cloth or absorbent paper towel when it is stained with ink-like stains.

METHOD OF APPLICATION&MATTERS NEED ATTENTION

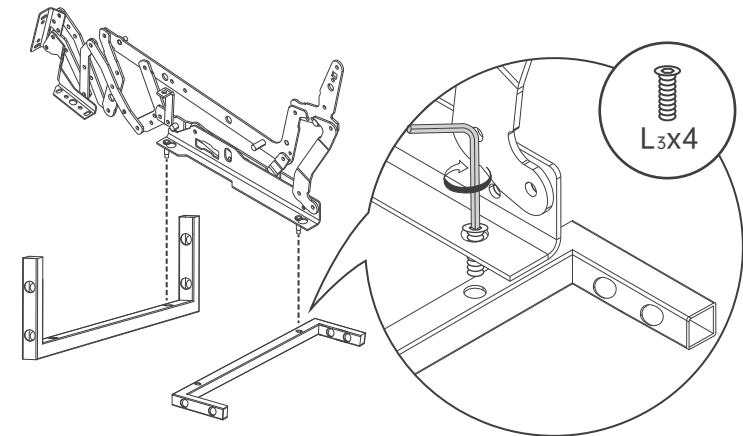
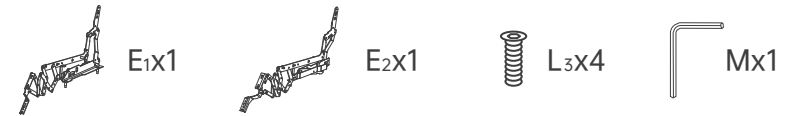
■ Please read all instructions for use before use.
■ If there is any doubt about the safety of this product, be sure to contact a professional technician for inspection. If there is any doubt about the installation, please contact a professional technician. When using this product, to avoid the risk of injury to persons, basic safety precautions must be observed, including the following.

1. Do not use the product in an environment with high humidity.
2. Do not store or use the product outdoors or in direct sunlight.
3. Be sure to have someone present when children, disabled people, or people with limited mobility are near the sofa or using the sofa.
4. After use, please close the sofa backrest/footrest open/close function completely before getting up, so as not to cause accidents.
5. Do not sit on the footrest of the massage sofa during use to avoid accidents.
6. Do not try to stand on the armrests or backrests to avoid the massage sofa from tipping over, which may lead to an accident.
7. Please always keep the sofa clean and avoid inserting other objects into the seams of the sofa.
8. Please make sure that when lowering the footrest or backrest, there is no other obstacle underneath it, especially children.
9. Please check whether there are abnormal cracks in the leather of massage sofa backrest and other places before each use. If there are any abnormalities, please do not use and contact the after-sales service center immediately.

INSTALLATION STEPS

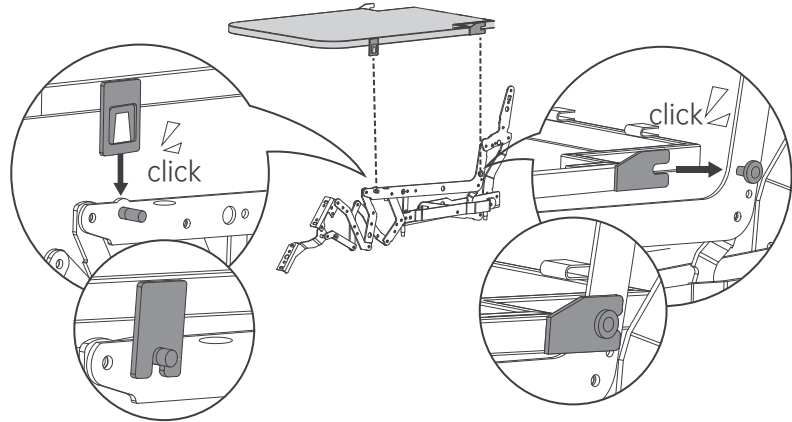
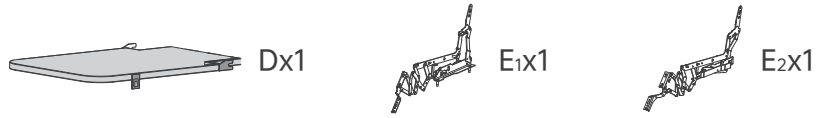


Step 3 Retractable Iron Frames

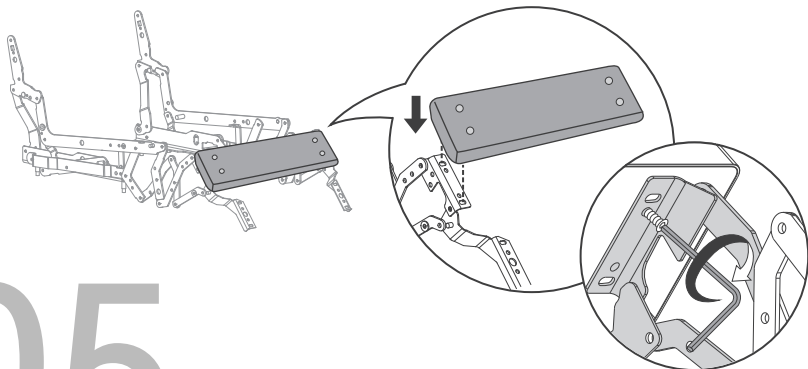


INSTALLATION STEPS

Step 4 Iron Seat Frames



Step 5 Lower legs Support Plate



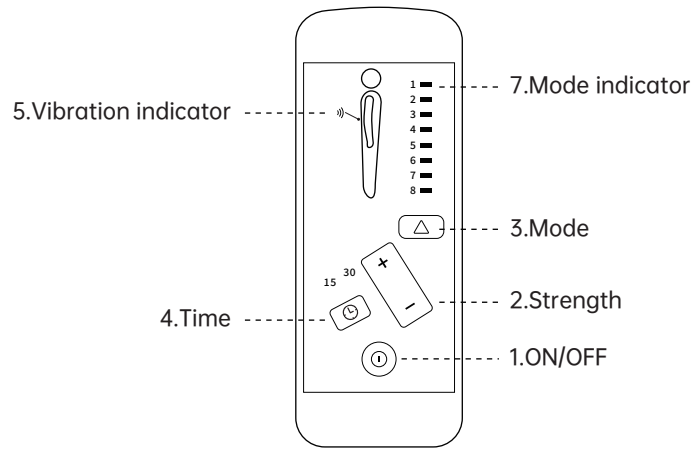
MANUAL CONTROLLER FUNCTION MANUAL

■ Product features

1. 8 kinds of motor vibration mode (the default boot mode 1)
2. 5 gear motor vibration intensity adjustment + / - (the default boot file 4)
3. Second timer (15/30 minutes)

TRANSPORTATION AND INSTALLATION

- During the transportation of the sofa, pay special attention to rain, moisture and heavy extrusion to avoid quality problems when using it;
- Sofa before entering your place of use, please make sure to provide the sofa to enter the required safety channel;
- Sofa is mainly solidly installed, there are few disassembled sofas. when you buy sofa, please fully consider the size of the door frame and the swing space into the door. If necessary, you can ask professional skilled workers to disassemble the sofa and assemble it after entering the door, which will not damage the inner structure, sitting feeling and surface effect of the sofa.



■ Specifications of power adapter

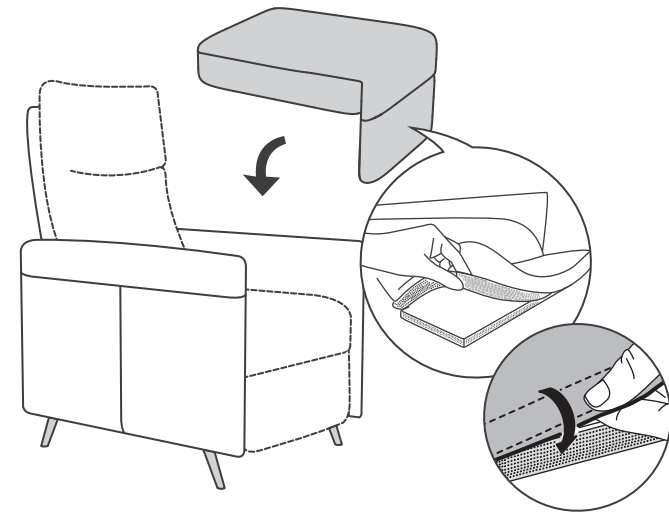
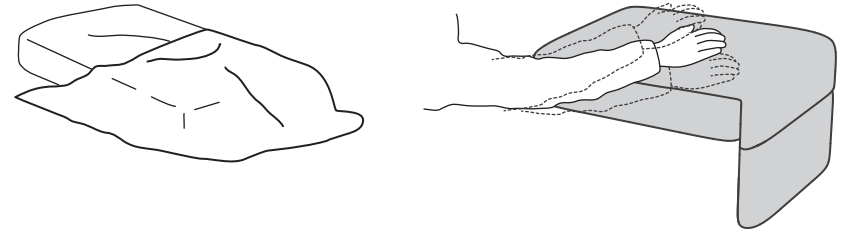
Power on in standby state. The user can realize the function through the hand controller control

Input :AC 100-240V, 50Hz/60HZ; Output: DC12V. 0.5A.

■ Function details

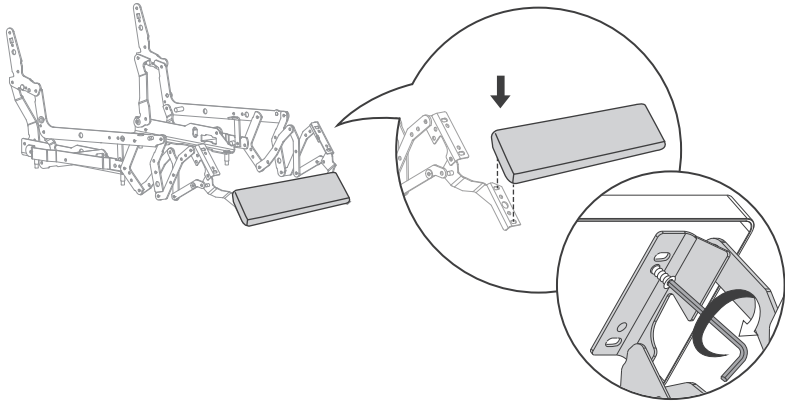
1. Click the switch machine
2. Press "+" to strengthen the vibration, and press "-" to weaken the intensity
3. Click on 8 modes to rotate
4. Click the timing (15/30 minutes) cycle switch
5. Mode indicator
6. Vibration indicator

STEP 6 SOFT SEAT CUSHION

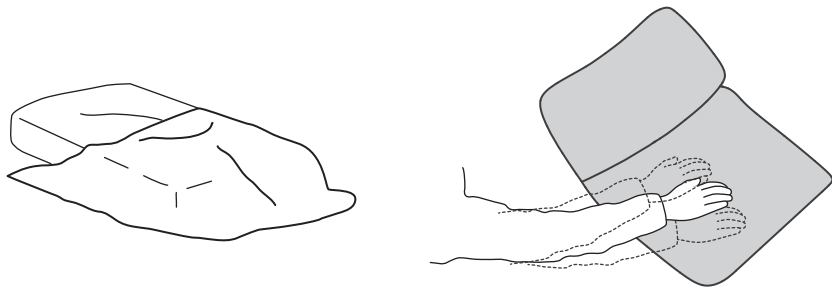


INSTALLATION STEPS

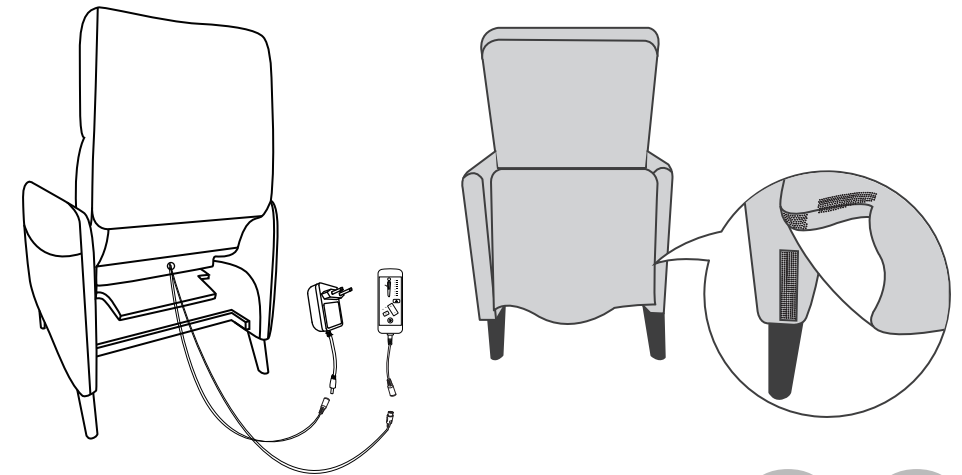
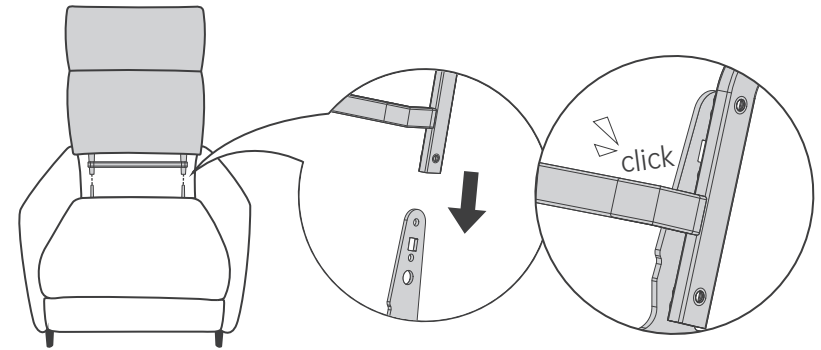
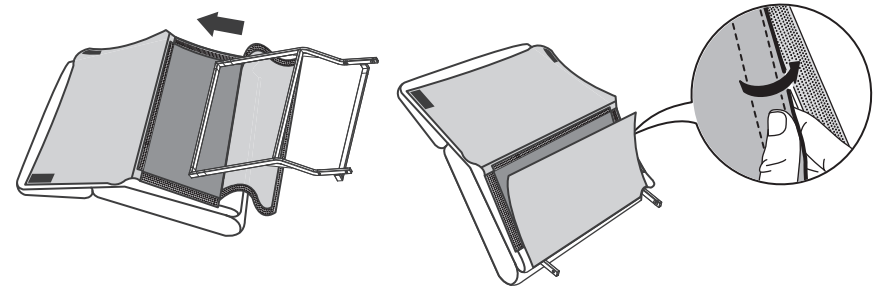
STEP 7 ANKLE SUPPORT PLATE



STEP 8 SOFT BACKREST



INSTALLATION STEPS



07

08