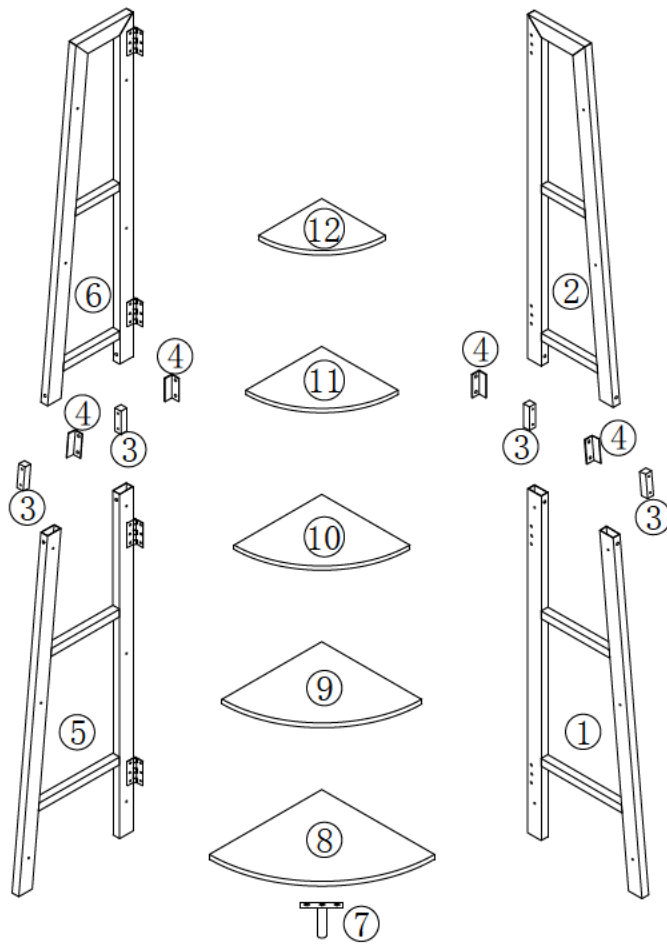
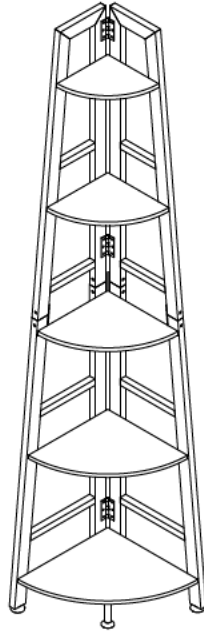
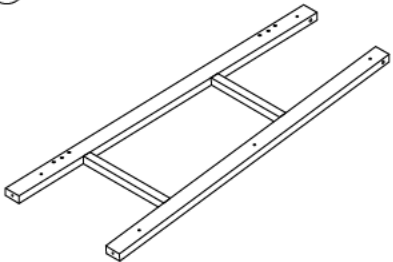
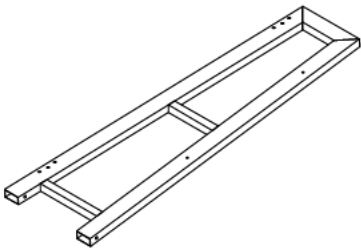


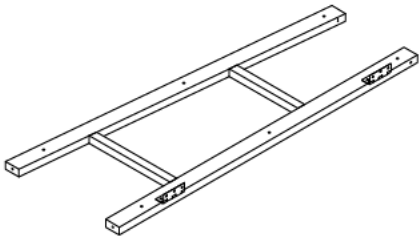
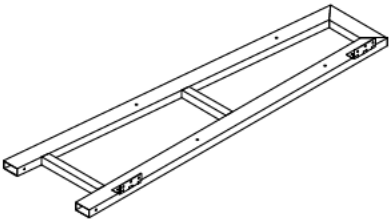
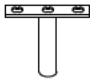


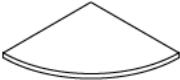





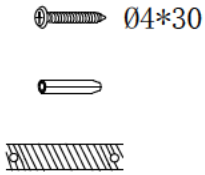




# ASSEMBLY INSTRUCTION

## Instruction Manual of Corner Shelf



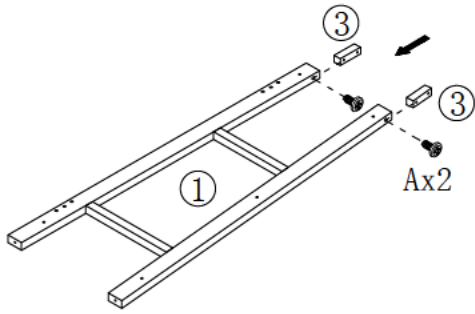
# ASSEMBLY INSTRUCTION

<p>① 1PC</p> 	<p>② 1PC</p> 	<p>③ 4PCS</p> 
<p>④ 4PCS</p> 	<p>⑤ 1PC</p> 	<p>⑥ 1PC</p> 
<p>⑦ 1PC</p> 	<p>⑧ 1PC</p> 	<p>⑨ 1PC</p> 
<p>⑩ 1PC</p> 	<p>⑪ 1PC</p> 	<p>⑫ 1PC</p> 
<p>A 18PCS</p>  <p>M6*12</p>	<p>B 12PCS</p>  <p>M4*16</p>	<p>C 20PCS</p>  <p>M5*38</p>
<p>D 2PCS</p>  <p>Ø4*30</p>	<p>E 5PCS</p>  <p>M8</p>	<p>F 1PC</p> 

# ASSEMBLY INSTRUCTION

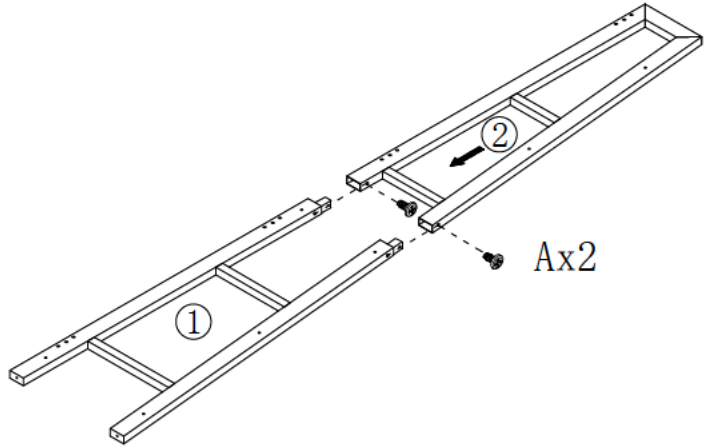
step 1

A 2PCS  
M6\*12



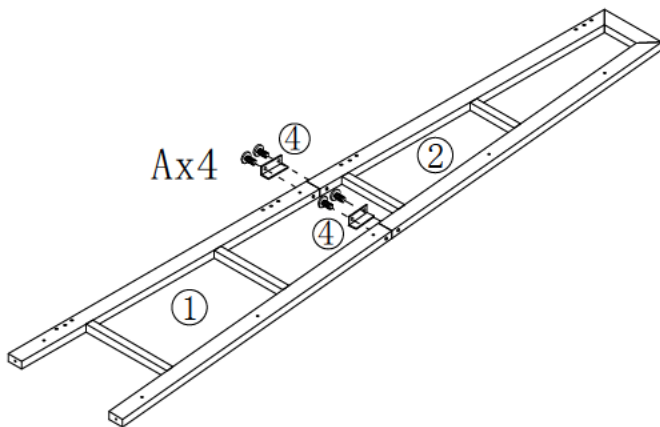
step 2

A 2PCS  
M6\*12



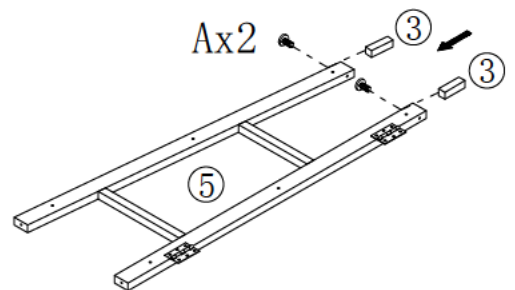
step 3

A 4PCS  
M6\*12



step 4

A 2PCS  
M6\*12

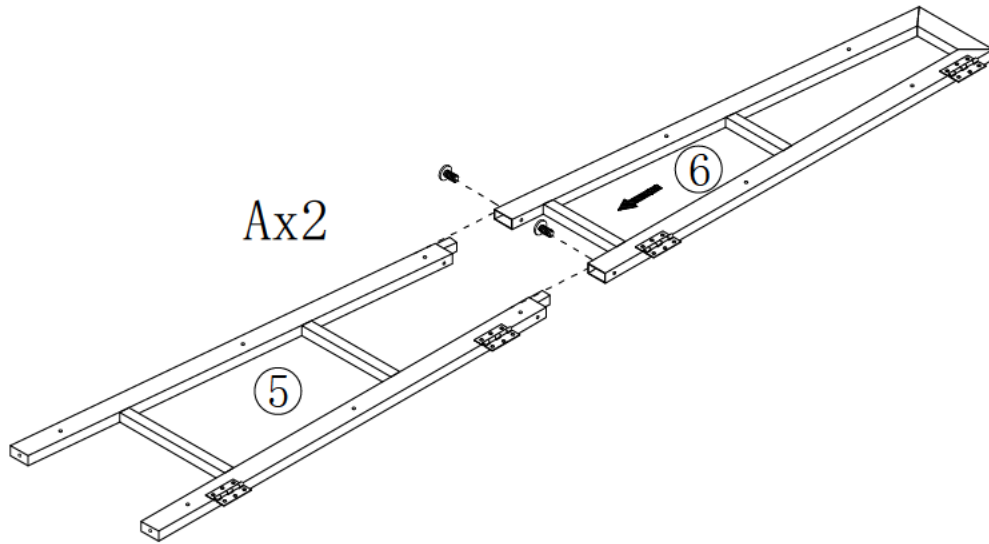


## step 5

A 2PCS



M6\*12

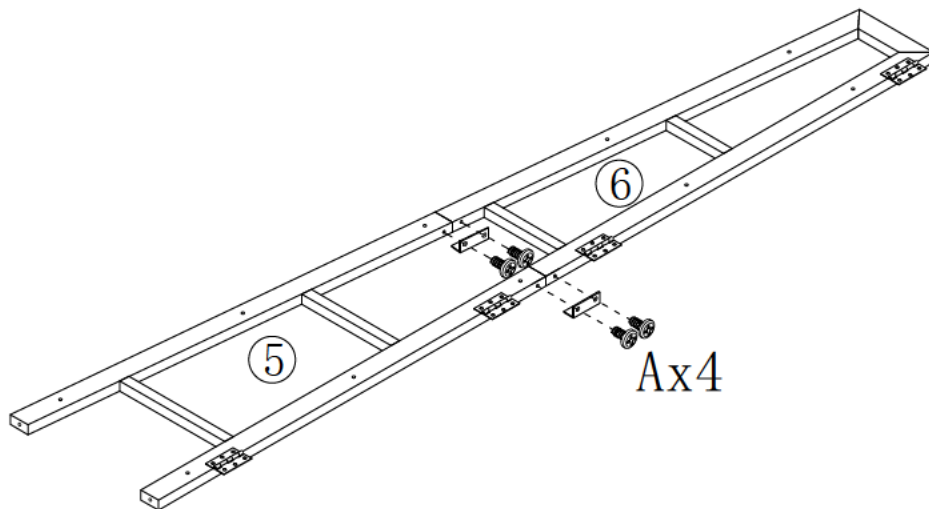


## step 6

A 4PCS

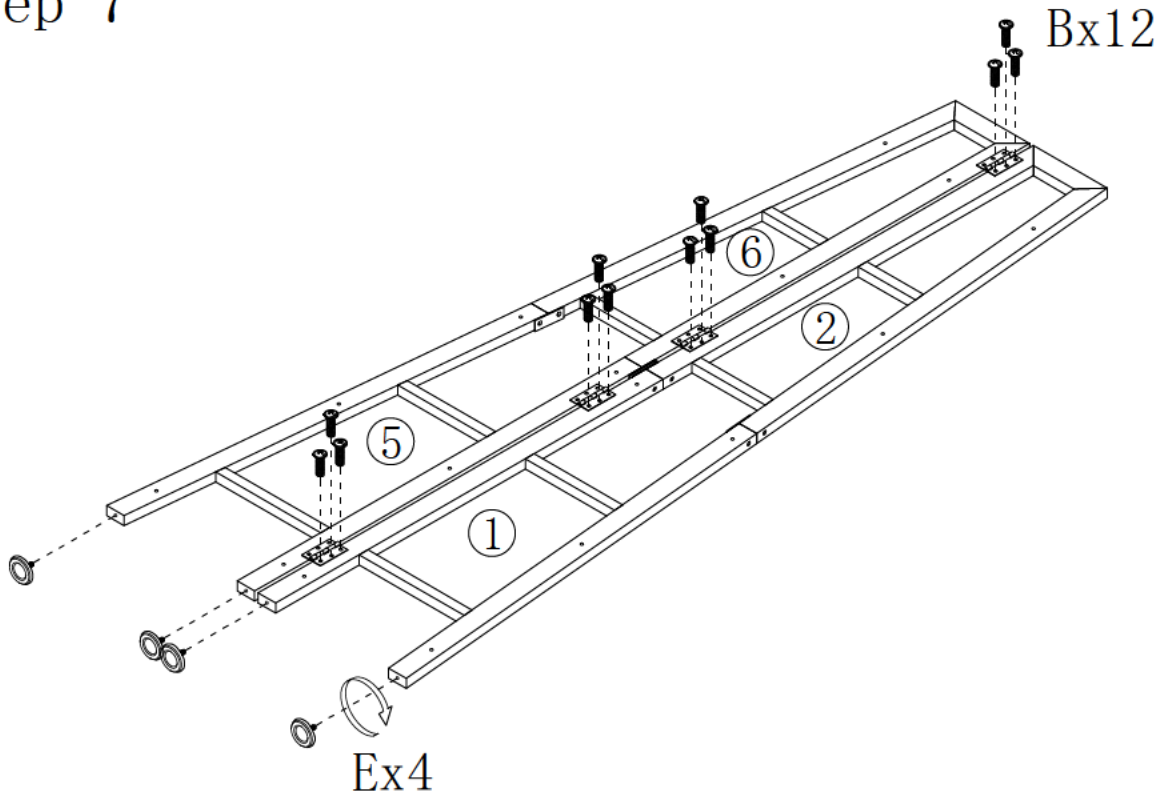




M6\*12



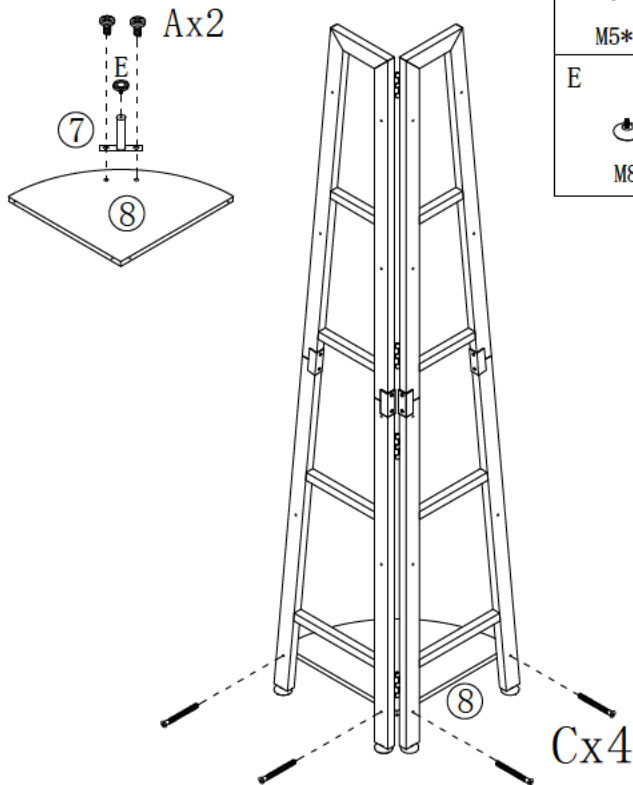
# ASSEMBLY INSTRUCTION




## step 7



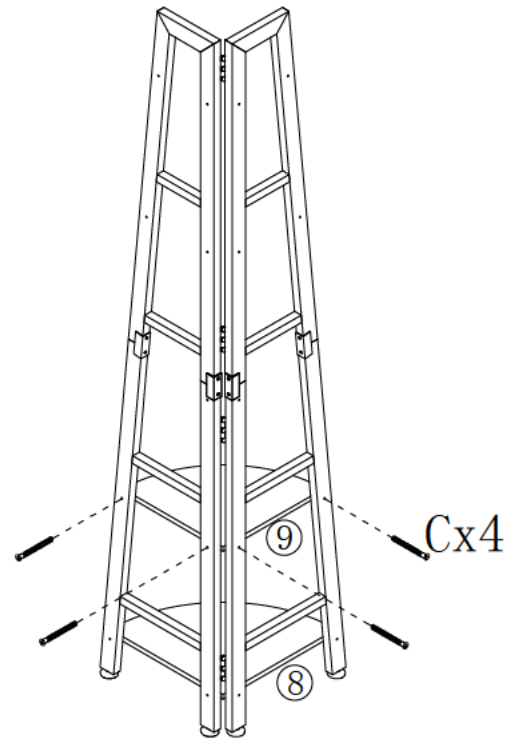
B	12PCS
	M4*16
E	4PCS
	M8


## step 8



A	2PCS
	M6*12
C	4PCS
	M5*38
E	1PC
	M8

## step 9

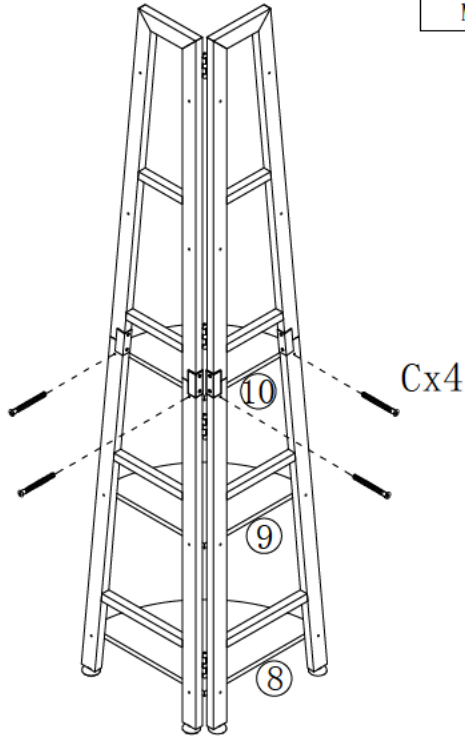


C	4PCS
	M5*38

# ASSEMBLY INSTRUCTION

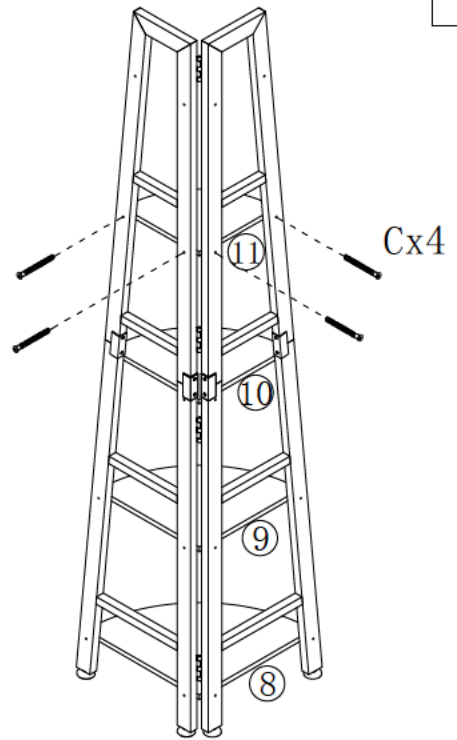
step 10

C 4PCS  
M5\*38



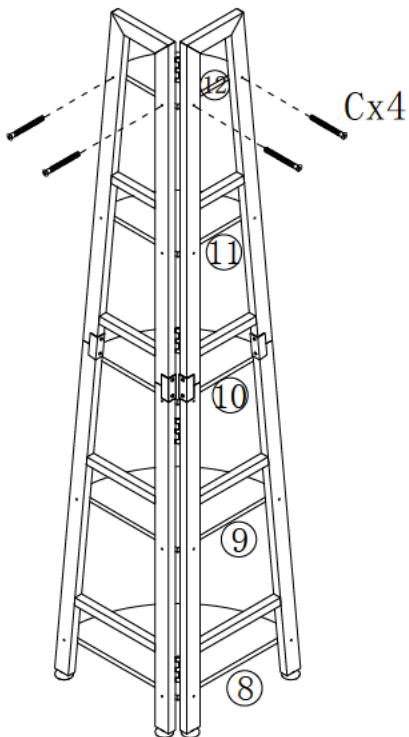
step 11

C 4PCS  
M5\*38



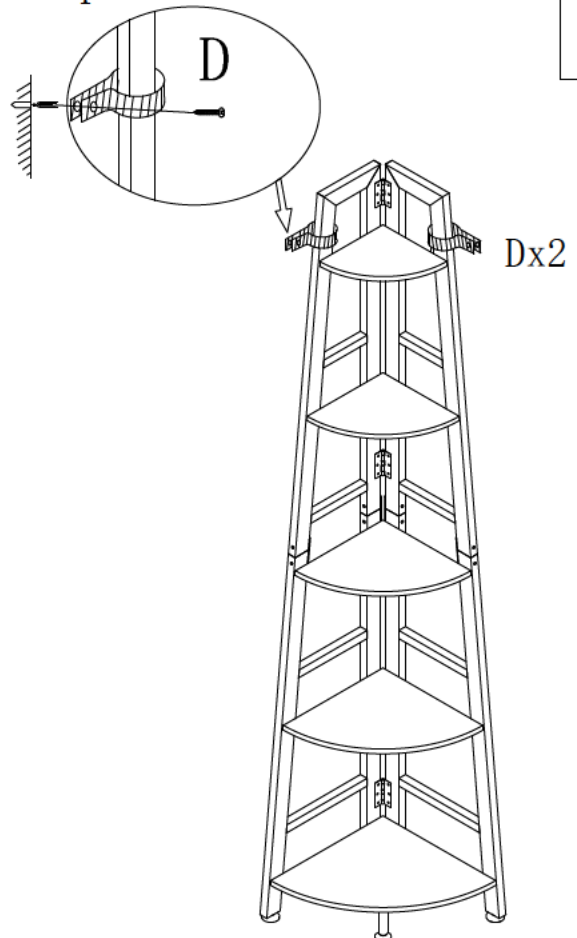
step 12

C 4PCS  
M5\*38



step 13

D 2PCS



OK