

ASSEMBLY INSTRUCTION

Pay Attention:

When the vacuum packages to be opened up that might be wrinkles at that stage, which will need you to place them on the chair for few days after assembling, and they will be recovered afterwards.










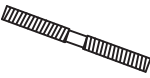




So we highly recommend you to sit on chair more often during this period that helps to expedite the recover time accordingly.

We are sorry for inconvenience and please reach out to customer service if you have any other questions.

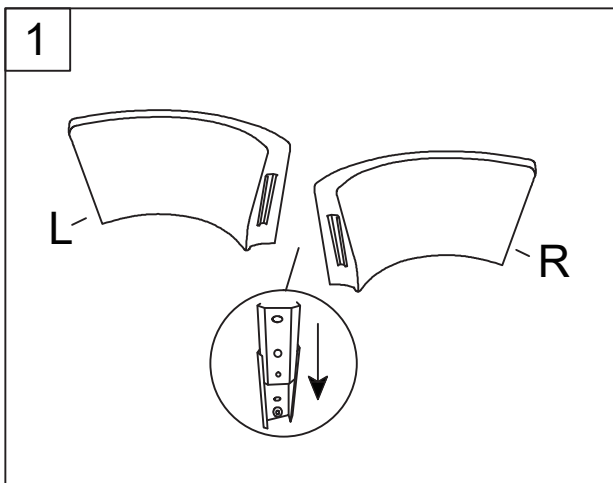
ASSEMBLY INSTRUCTION

Thank you for purchasing this quality product. Be sure to check all the packing material carefully for small parts, which may have come loose inside the carton during shipment. Identify and count all parts and compare with the **HARDWARE LIST** below.

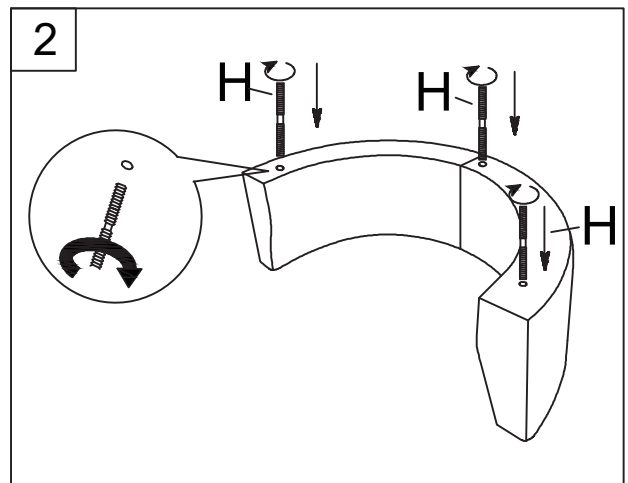
PARTS LIST (NO TOOLS REQUIRED)

NO.	DESCRIPTION	PARTS	QTY	NO.	DESCRIPTION	PARTS	QTY
L	Left Backrest		1	R	Right Backrest		1
A	Backrest Cover		1	B	Seat		1
C	Middle Pillow		1	D	Side Pillows		2
E	Seat Cushion		1	F	Swivel Base		1
G	Flat Washers		7	H	Bolts		7
I	Spring Washers		7	J	Wrench		1
K	Nuts		7	M	Felt Pads		12

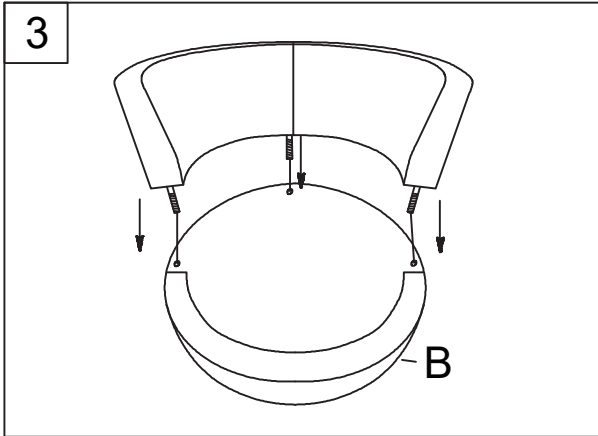
Hardware Pack Location: In the corner of inside carton



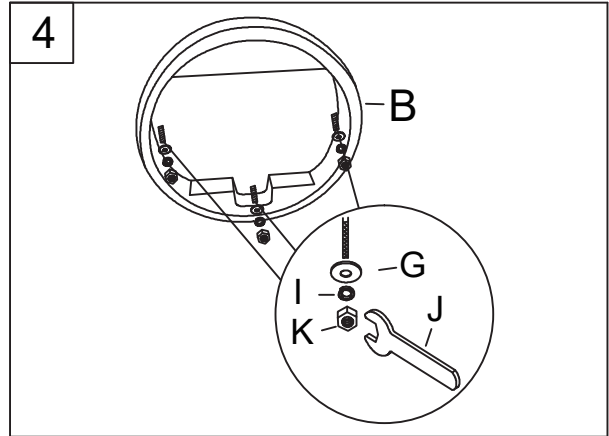
Step1.



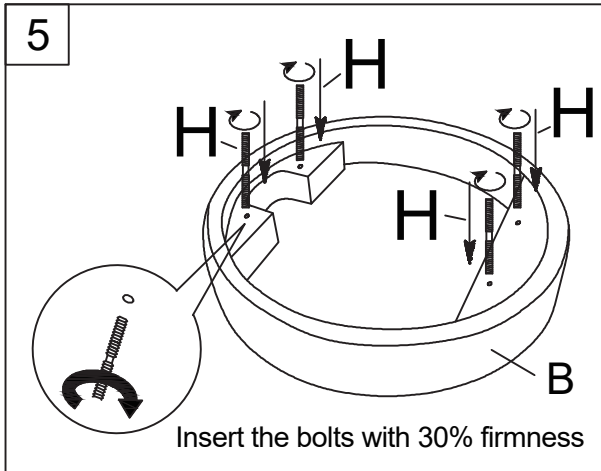
Step2.



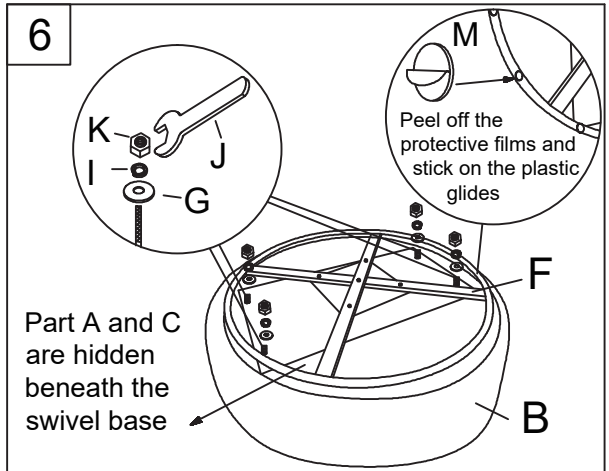
Step3.



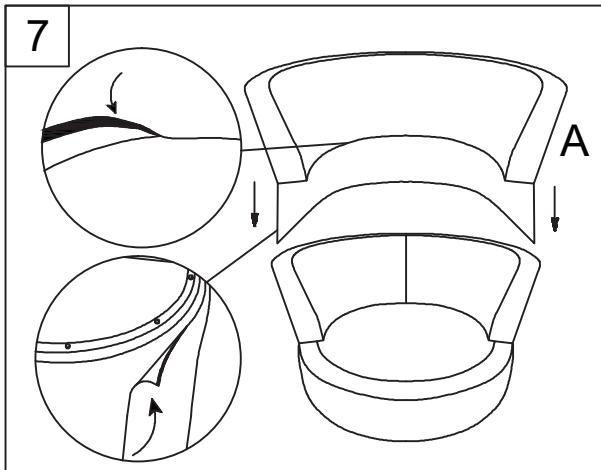
Step4.



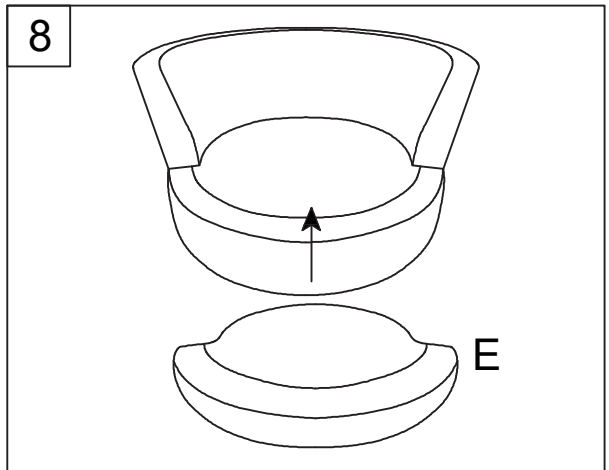
Step5.



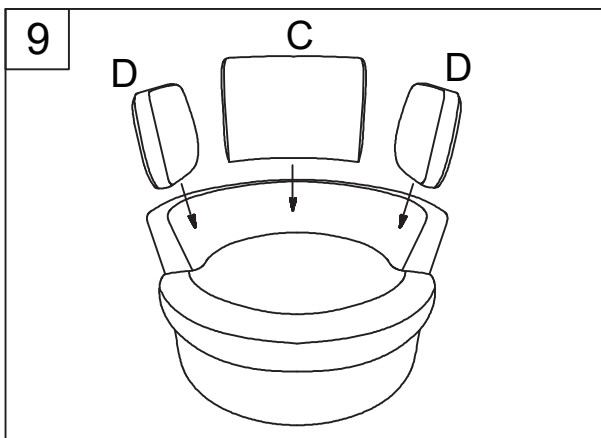
Step6.



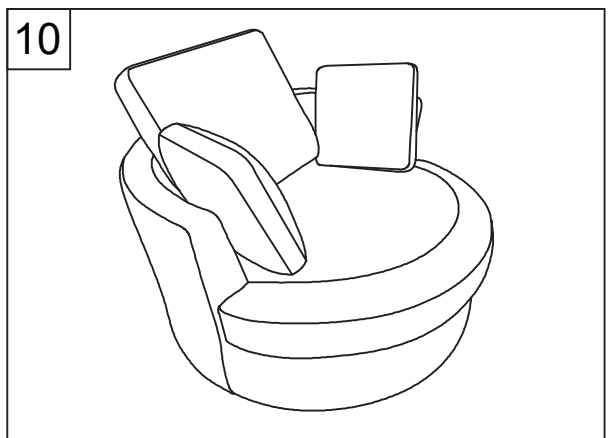
Step7.



Step8.



Step9.



Step10.