

IMPORTANT!! PLEASE READ ENTIRE INSTRUCTION SHEET BEFORE ASSEMBLY!!

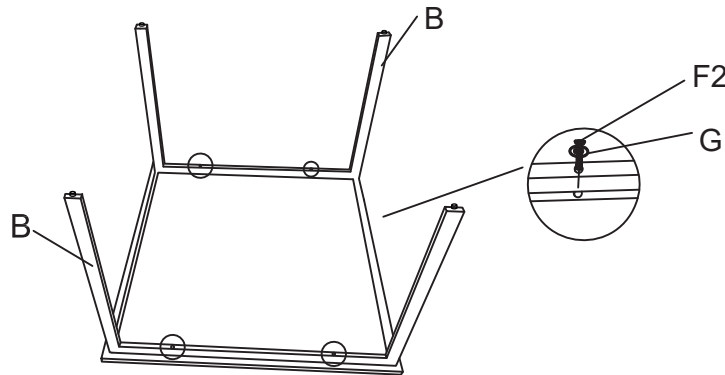
5pcs Dining Set- Dining Table

Identify all parts packed in the carton against the parts list. Remove all protective materials. Place parts on a non-abrasive surface. If you are missing any parts or Are unsure how to proceed with assembly, please call customer service center

Do not attempt to assemble the product if any parts are missing or damaged.

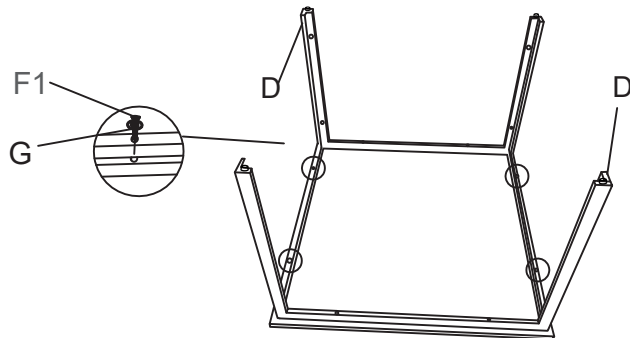
Step 1










Put the Table Rim (A) upside down on a flat, protected surface. Attach the End Leg (B) to the Table Rim (A) **using the bolts (F2)** with the washers (G). (DO NOT TIGHTEN COMPLETELY)



Step 2

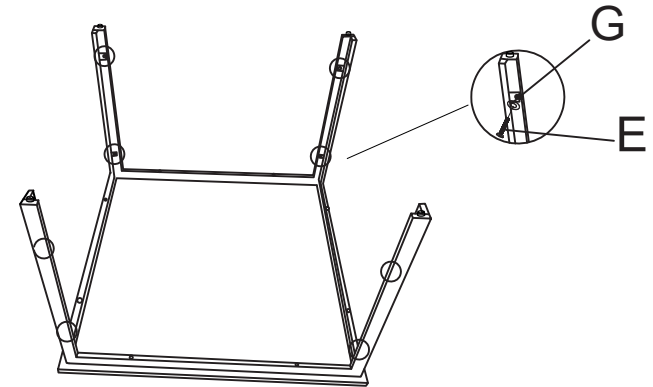
Attach the Side Leg (D) to the Table Rim (A) using the bolts (F1) with the washers (G). (DO NOT TIGHTEN COMPLETELY)



| Parts List | | | | | | | |
|------------|--------------|---|---|----|------------------------------|---|----|
| A | Table rim |  | 1 | B | End Leg With Adjustable Foot |  | 2 |
| C | Glass |  | 1 | D | Side Leg |  | 2 |
| E | Bolt(M6*15) |  | 8 | F1 | Bolt(M6*50) |  | 4 |
| F2 | Bolt(M6*55) |  | 4 | G | Washer |  | 16 |
| H | Allen Wrench |  | 1 | | | | |

Step 3

Attach the Side Leg (D) to the End Leg (B) using the bolts (E) and the washers (G). Tighten all the bolts completely by Allen Wrench (H).



Step 4

Turn the Table in upright position, Place the Glass (C) into Table Rim (A).

Now the table is ready for your enjoyment.

