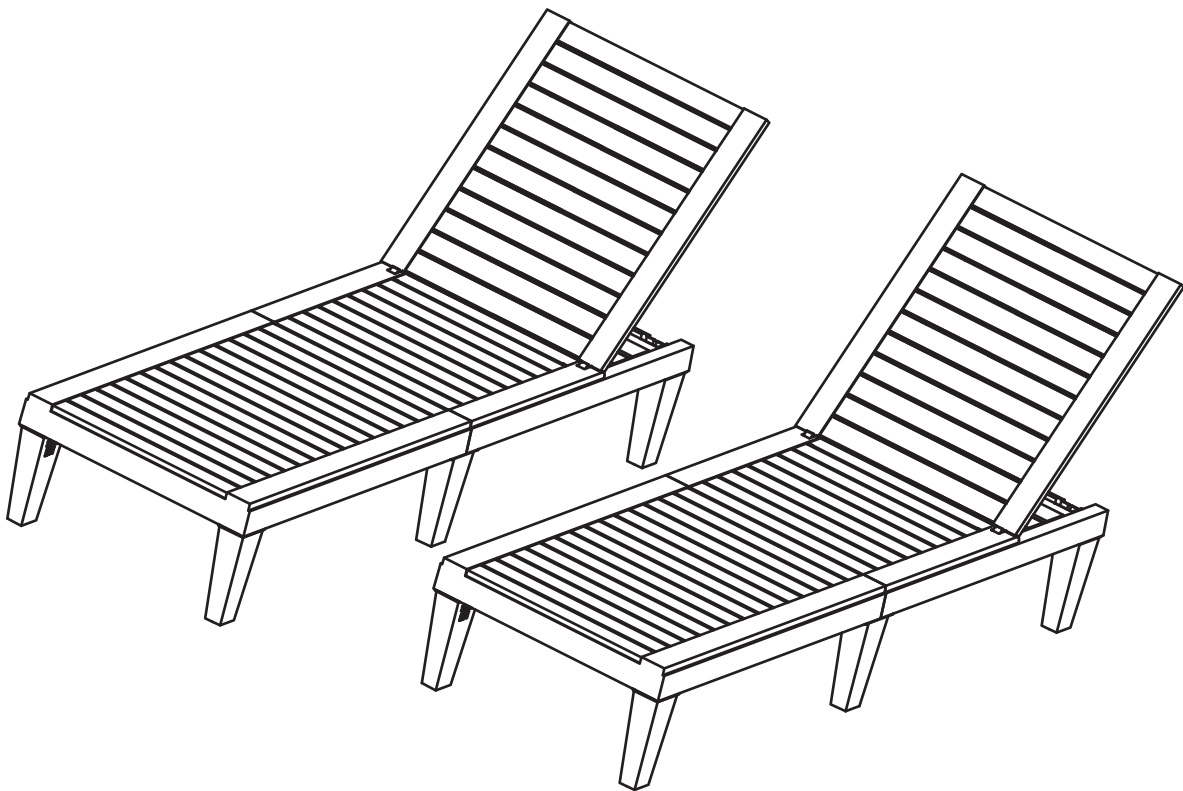


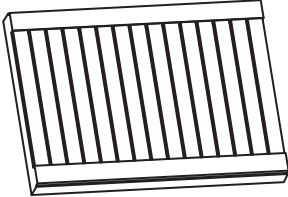
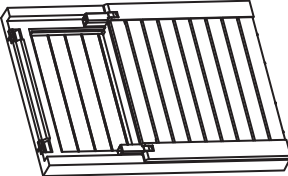
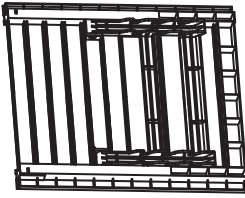
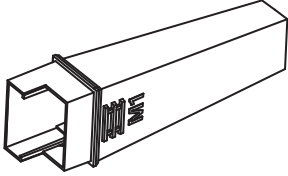
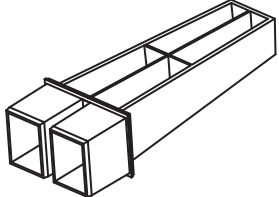
Assembly Instructions
Outdoor Lounge Chairs
Set of Two



Welcome Guide

Contents

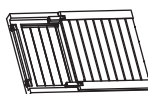
Before getting started, ensure the package contains the following components:

Part		Quantity
Chair Top Half (F)		x2
Chair Bottom Half (B)		x2
Chair Back Rest (CB)		x2
Legs (M1)		x8
Legs (M2)		x4

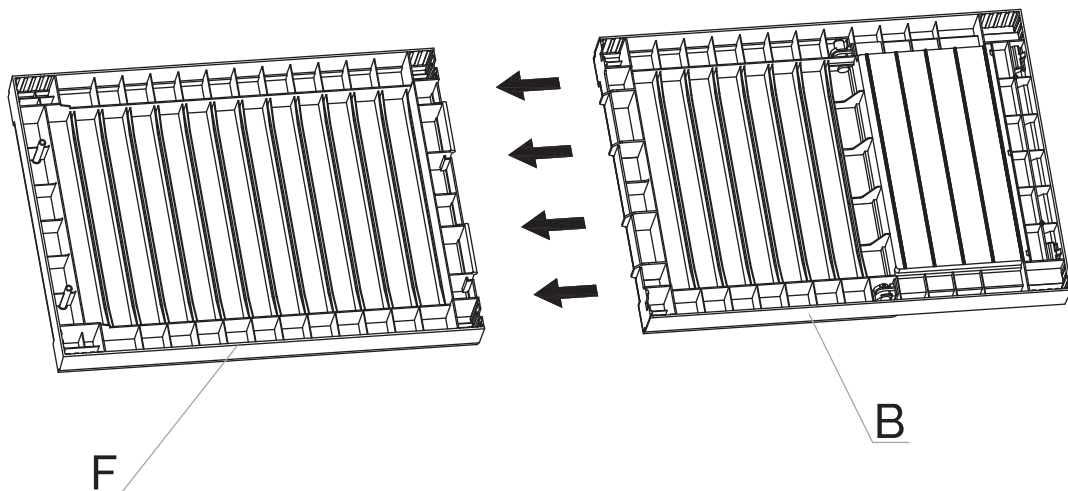
1.



F (x1)



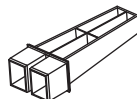
B (x1)



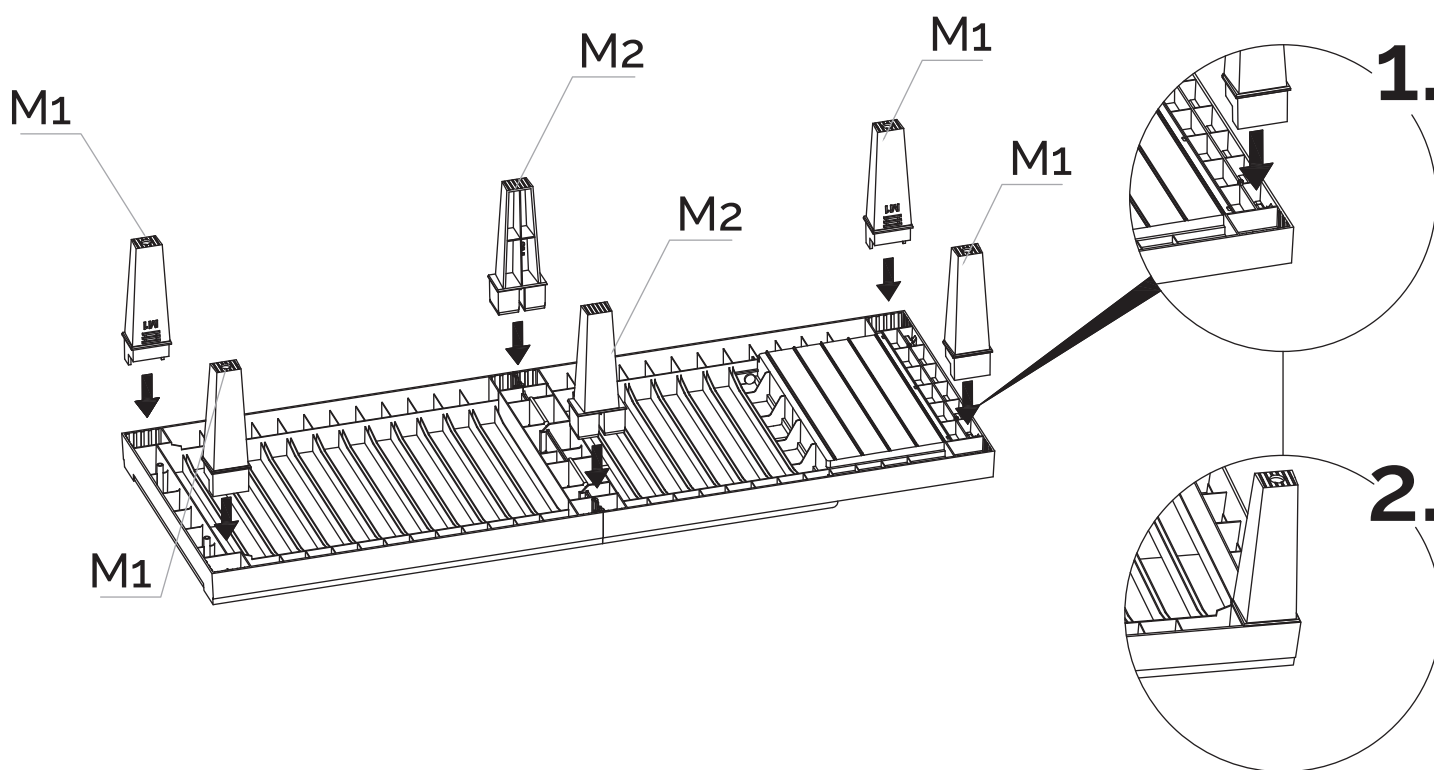
2.



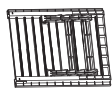
M1 (x4)



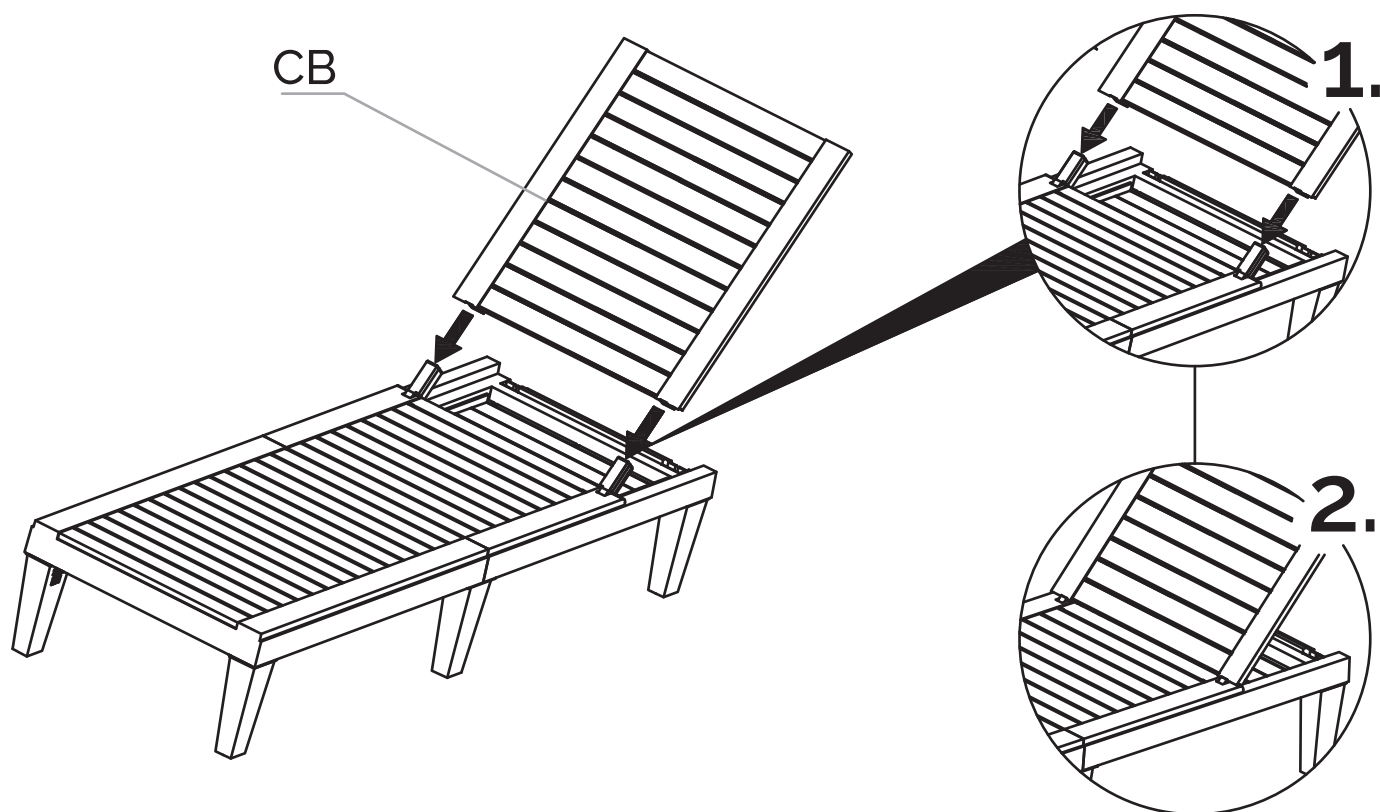
M2 (x2)



3.



CB (x1)



4. Completed



