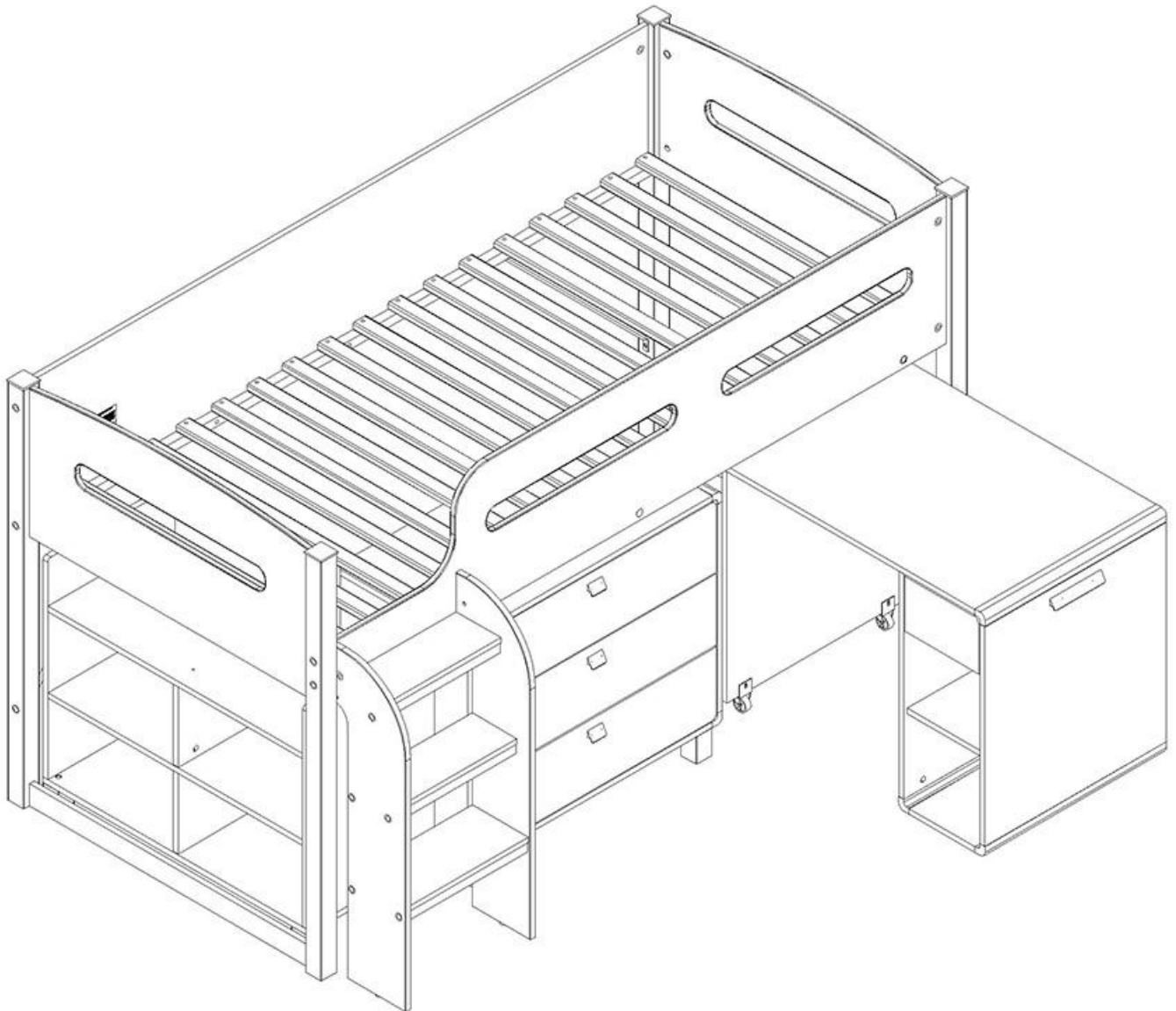
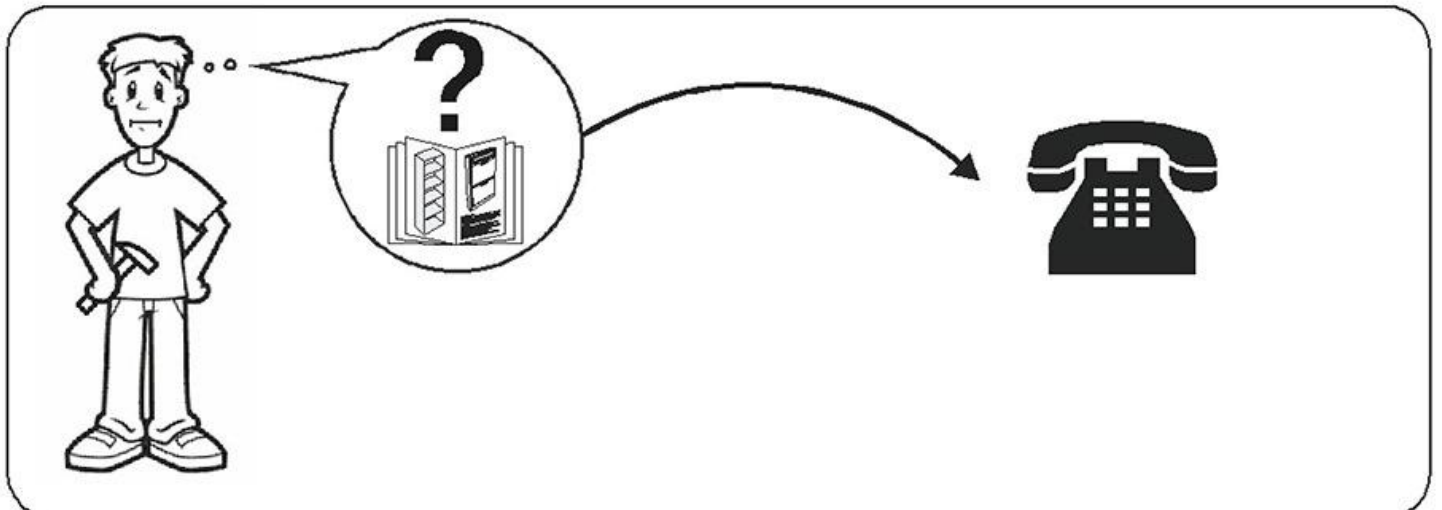
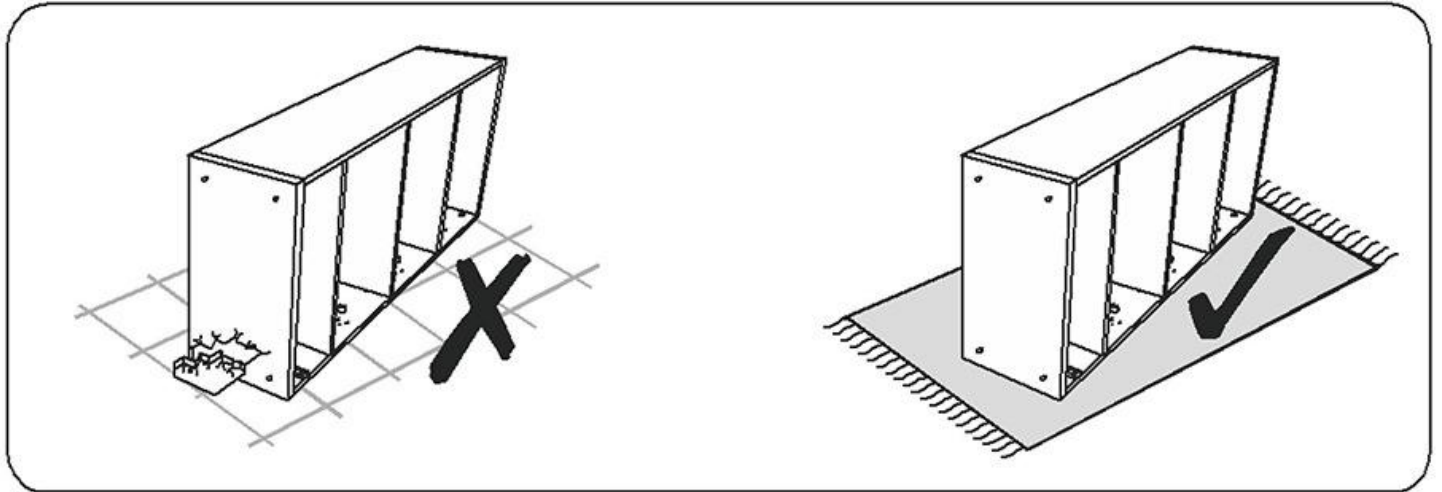
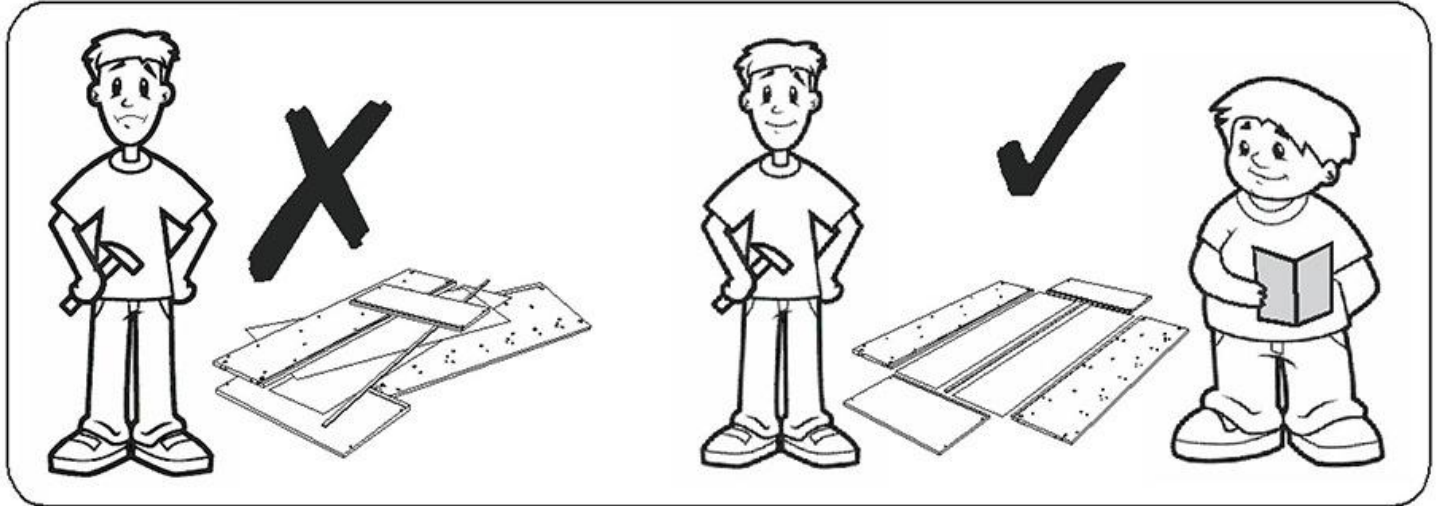
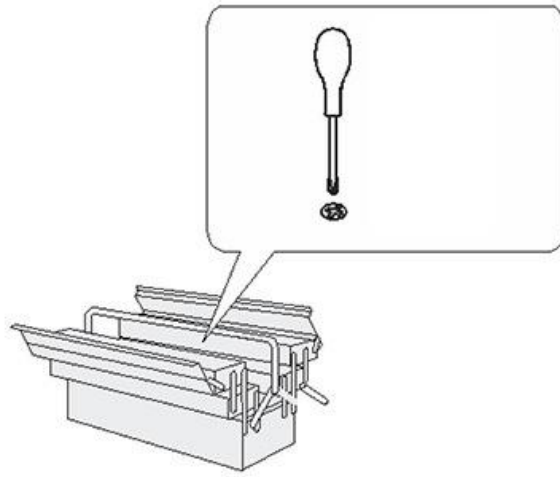
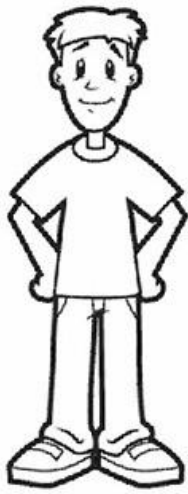


**IMPORTANT - READ CAREFULLY - RETAIN
FOR FUTURE REFERENCE**

Cabin Bed

Assembly Instructions





HARDWARE

A



Cam Stud

77PCS

B



Cam

77PCS

C



M8 x 25mm

100PCS

D



M8 x 50mm

16PCS

E



M4 x 45mm

10PCS

F



M4 x 38mm

22PCS

G



M3.5 x 14mm

44PCS

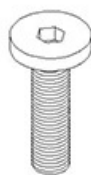
J



M5 x 15mm

4PCS

N



M6 x 25mm

2PCS

P



M6 Cap Nut

2PCS

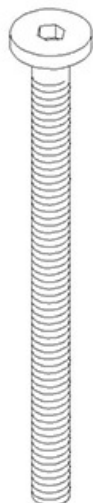
S



M6 Round Nut

14PCS

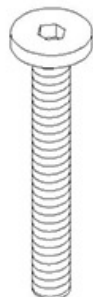
T



M6 x 90mm

8PCS

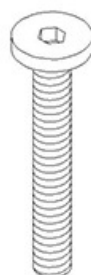
U



M6 x 50mm

6PCS

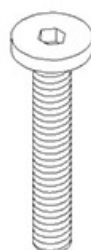
V



M6 x 45mm

2PCS

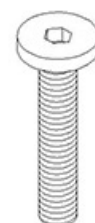
W



M6 x 40mm

12PCS

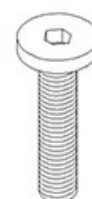
X



M6 x 35mm

10PCS

Y

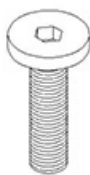


M6 x 30mm

36PCS

HARDWARE

Z



M6 x 25mm

8PCS

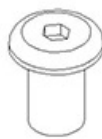
Z1



M6 x 12mm

2PCS

Z2



M6

8PCS

Z4



Sticker

36PCS

Z5



M4 x 20mm

8PCS

Z6



18mm Pin

14PCS

Z3



M4

2PCS

K



Handle (Long)

1PCS

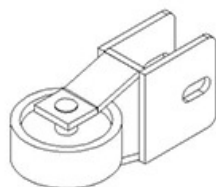
L



Handle (Short)

3PCS

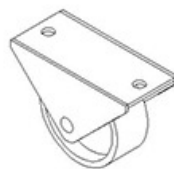
M



Caster

2PCS

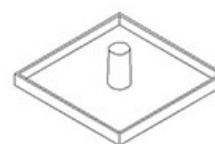
Q



Caster

2PCS

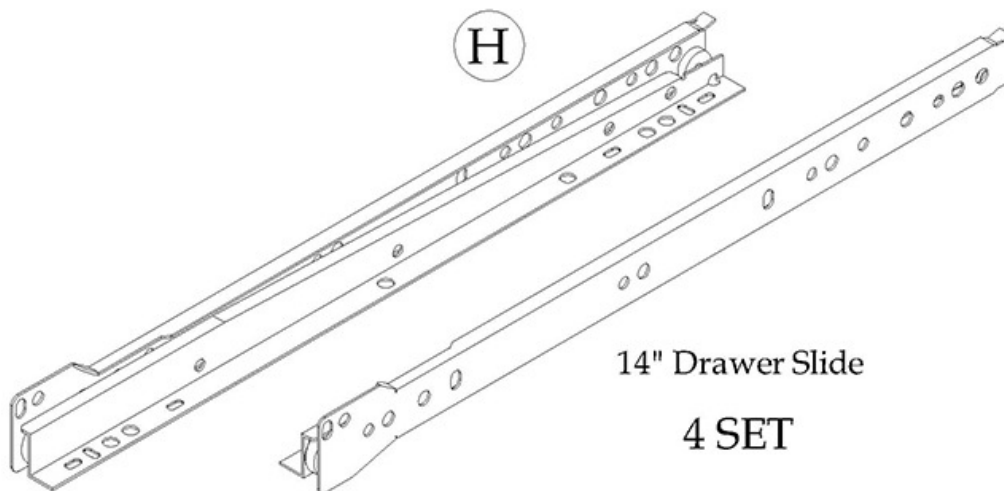
R



PVC Cap

4PCS

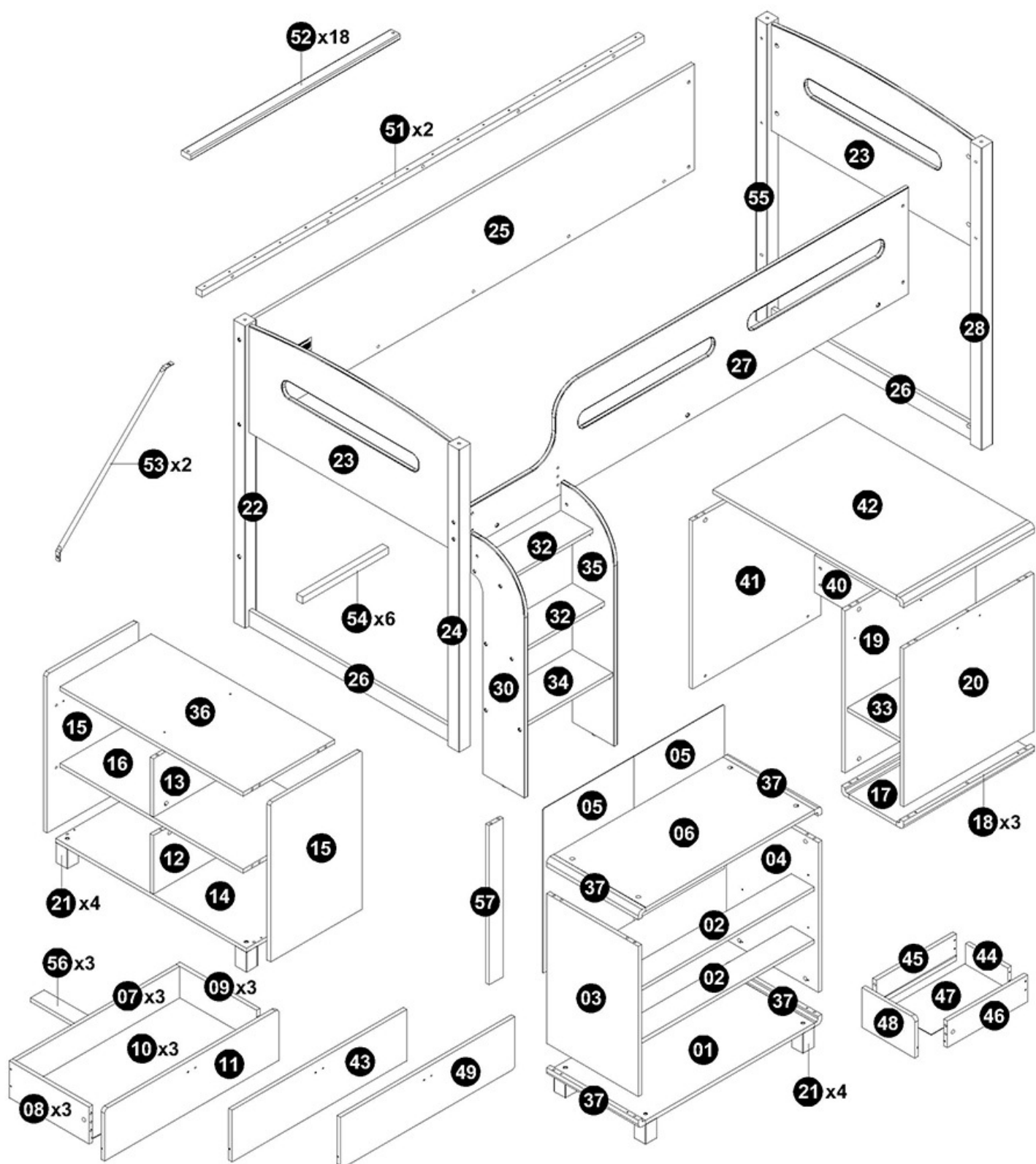
H



14" Drawer Slide

4 SET

PARTS



IMPORTANT INFORMATION

WARNING - High Beds and the upper bed of bunk beds are not suitable for children under six years due to the risk of injury from falls.

WARNING - Bunk beds and high beds can present a serious risk of injury from strangulation if not used correctly. Never attach or hang items to any part of the bunk bed that are not designed to be used with the bed, for example, but not limited to ropes, st rings, cords, hooks, belts and bags.

WARNING - Children can become trapped between the bed and the wall, a roof pitch, the ceiling, adjoining pieces of furniture (e.g.cupboards) and the like. To avoid risk of serious injury the distance between the top safety barrier and the adjoining structure shall not exceed 75mm or shall be more than 230mm.

WARNING - Do not use the bunk bed / high bed if any structural part is broken or missing. It is recommended that you always follow the manufacturer's instructions to assemble this product.

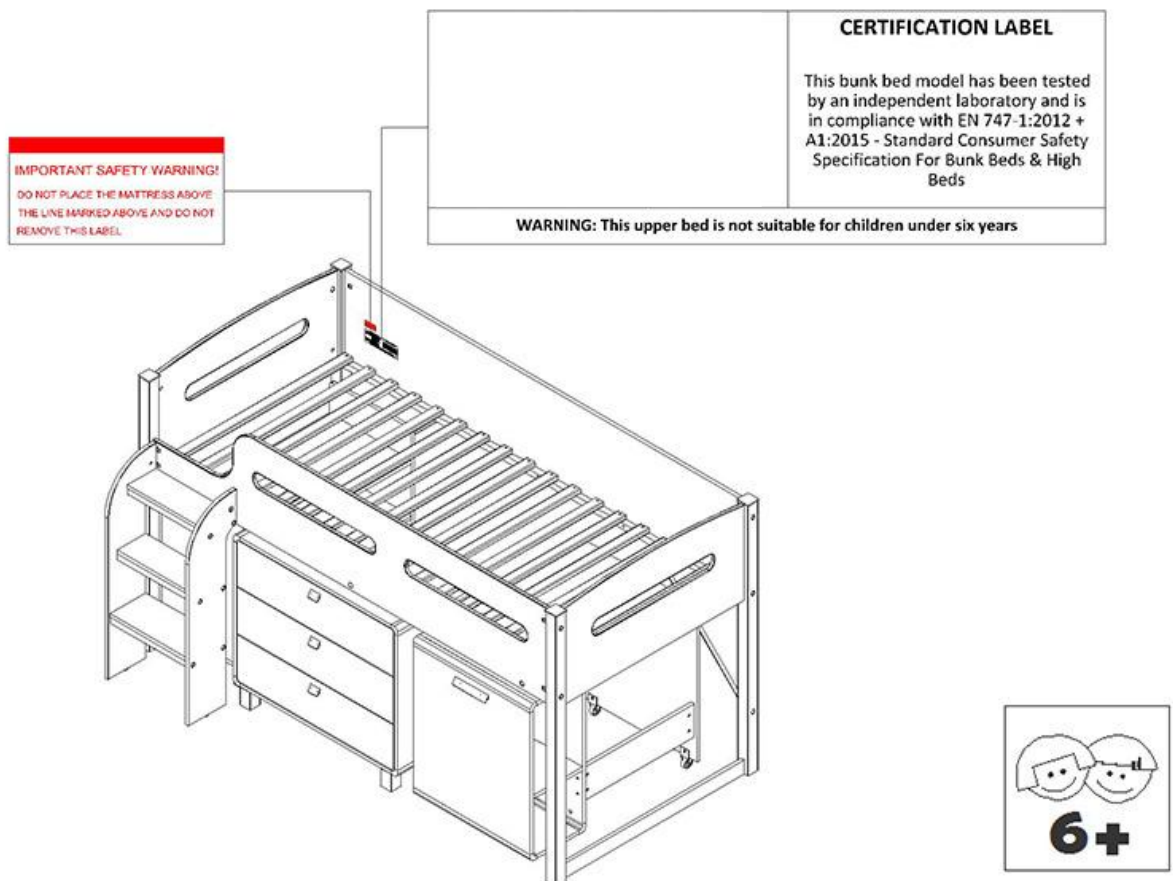
Always follow the manufacturer's recommended mattress size, as per these instructions and the bunk bed / high bed maximum mattress height marking on the item:

Recommended Mattress Size: 90cm x 190cm (UK Single) with Maximum Depth of 18.0cm

It is necessary to frequently ventilate the room in order to keep the humidity low and to prevent mold in and around the bed.

Please periodically check all the fixings of the item and re-tighten when necessary.

This item conforms to European Safety Standards - BS EN 747-1: 2012 + A1: 2015.



Safety Advice

Please take the time to carefully read through the whole of these instructions before you commence.

Keep these instructions for future reference.

Unpack, inspect and check off all of the contents.

Please dispose of all packaging safely.

Small component parts could choke a child if swallowed.

We strongly recommend that you keep children well away from the work area.

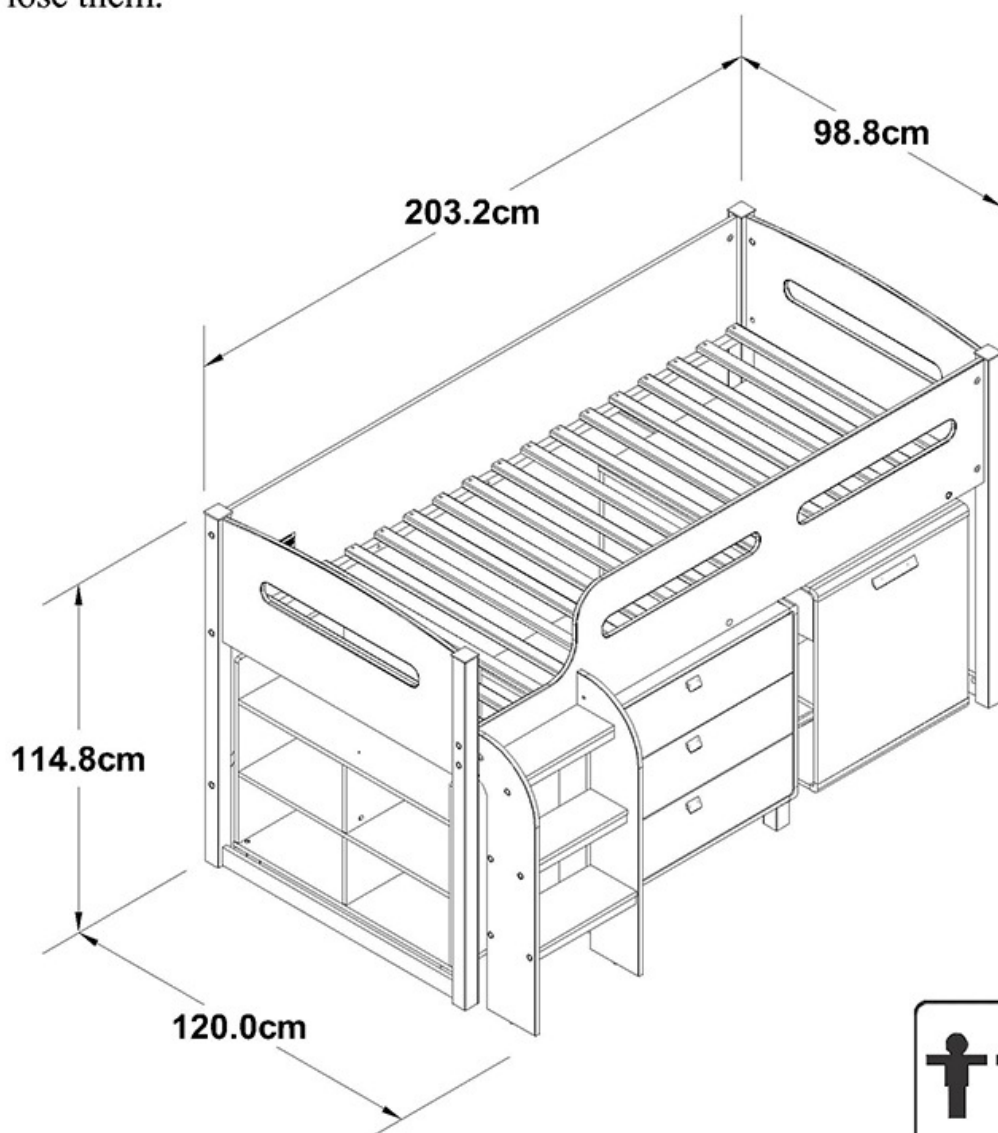
It would be sensible to lay a sheet or blanket on the floor where you intend to work to avoid scratching this product and to protect your floor.

This product is heavy. Take extreme care when lifting to avoid personal injury or damage to the product.

Assemble the product as close to its intended final position in the room as possible.

Please check the contents of boxes before attempting to assemble this product. A full checklist of parts and fittings is given in page 6 of this instruction leaflet.

HANDY HINT: If you keep the hardware in a bowl during assembly you will be less likely to lose them.

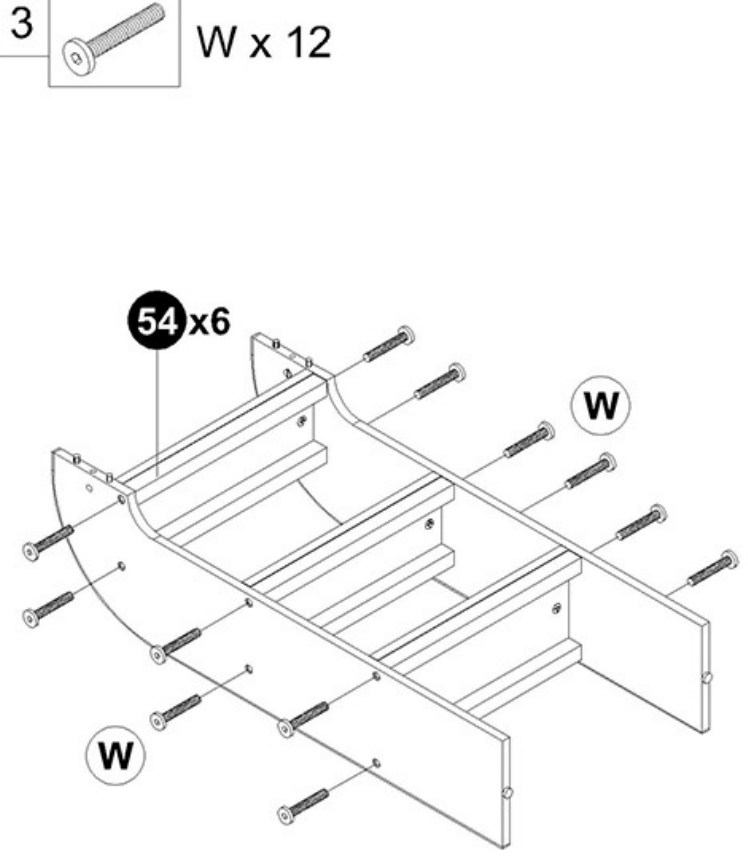
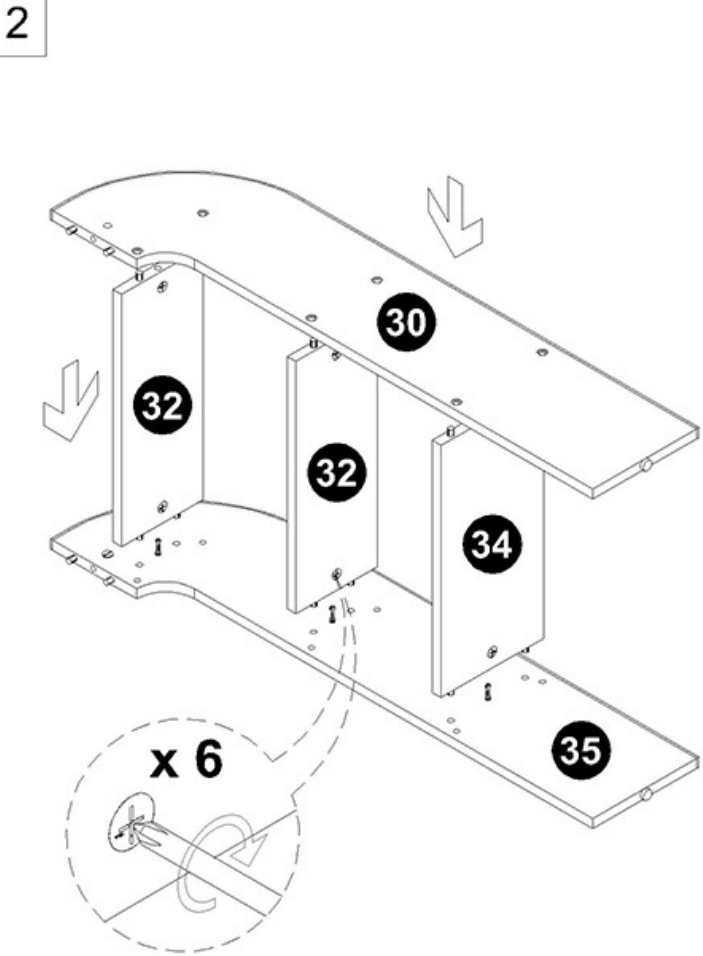
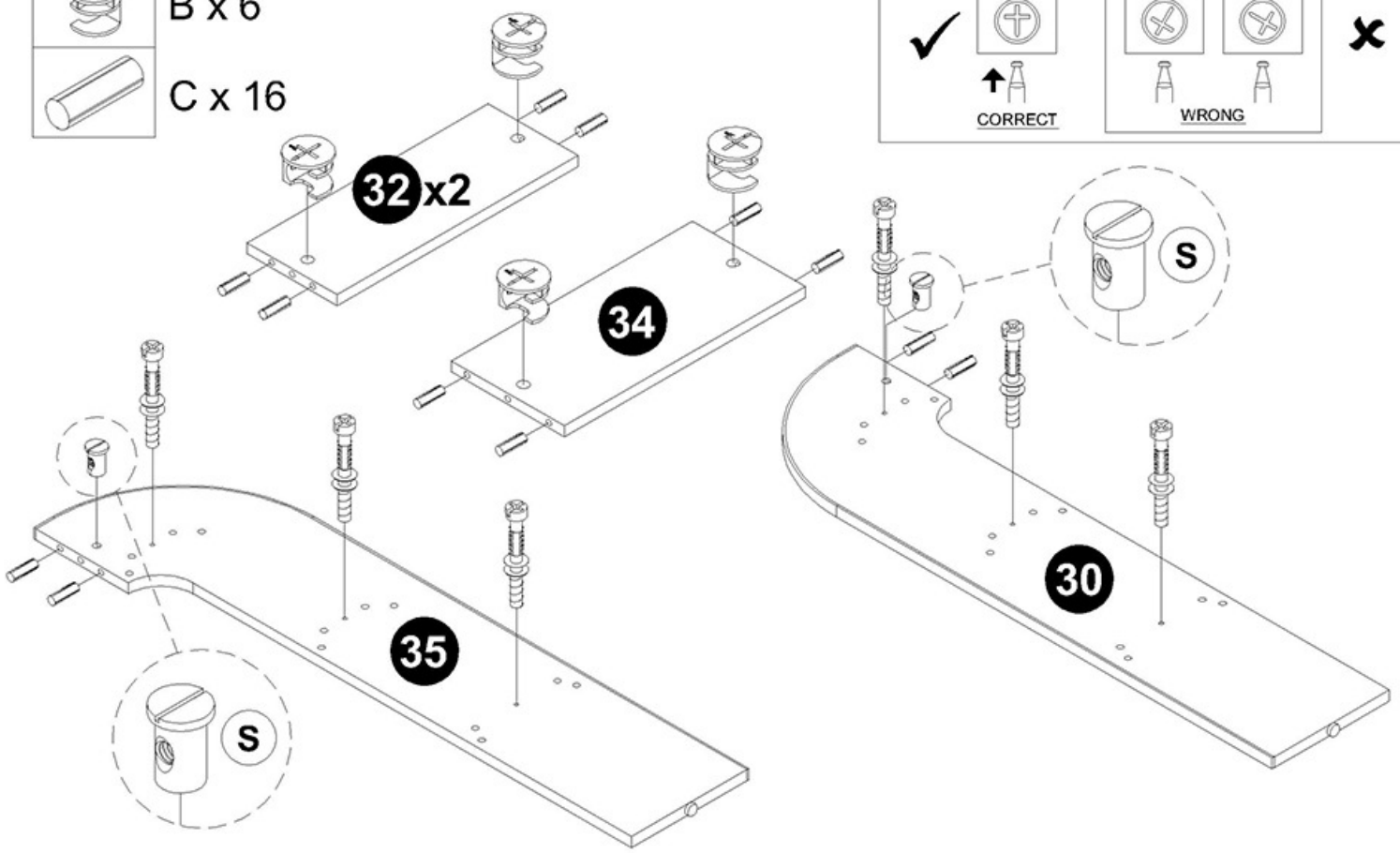
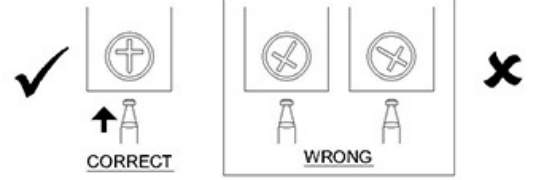


1  A x 6  S x 2

 B x 6

 C x 16

WHEN FITTING CAMS
ENSURE STARTING POSITION IS CORRECT
BEFORE YOU INSERT CONNECTING BOLT
TURN CLOCKWISE UNTIL SECURE



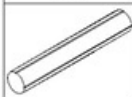
4



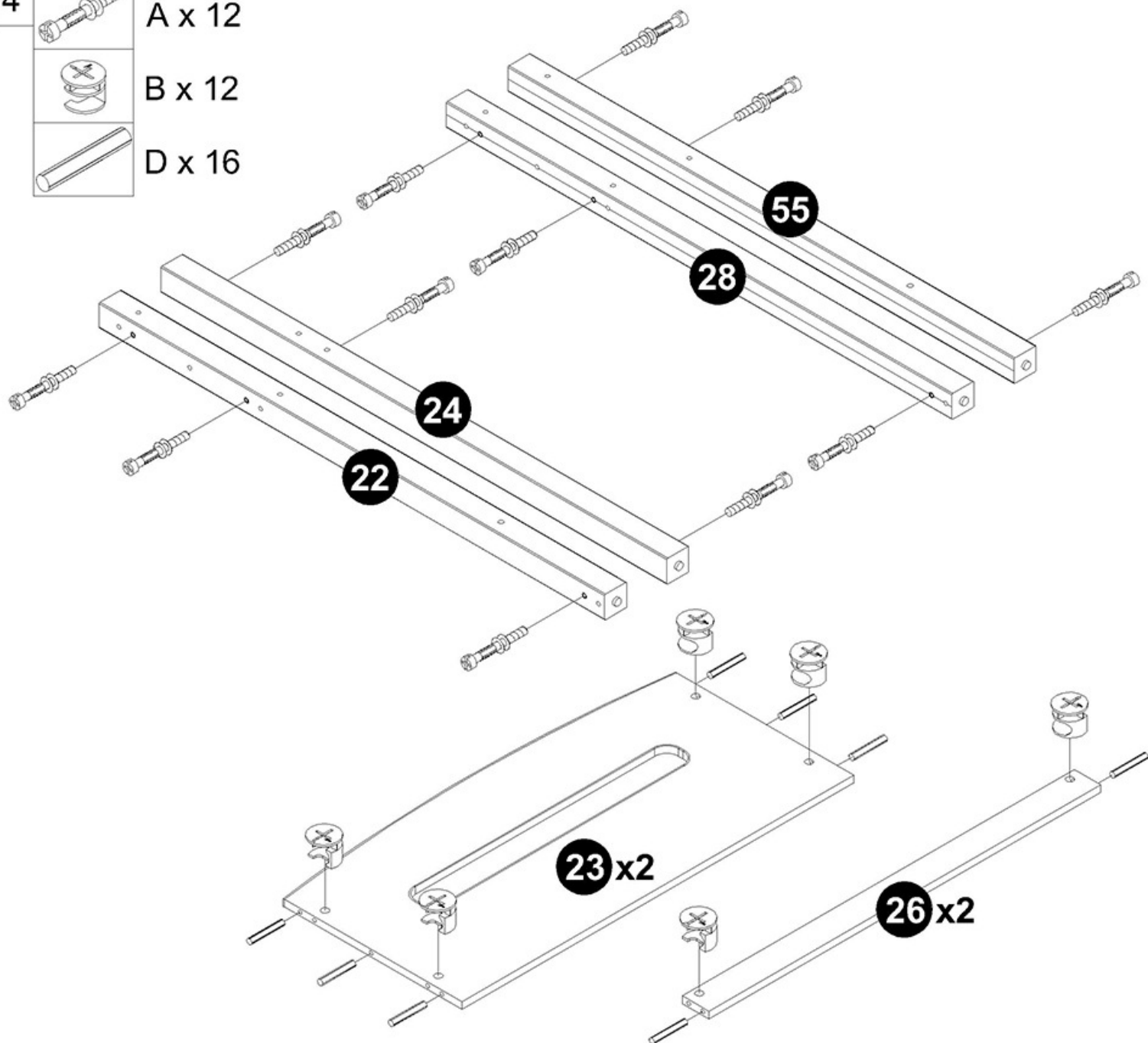
A x 12



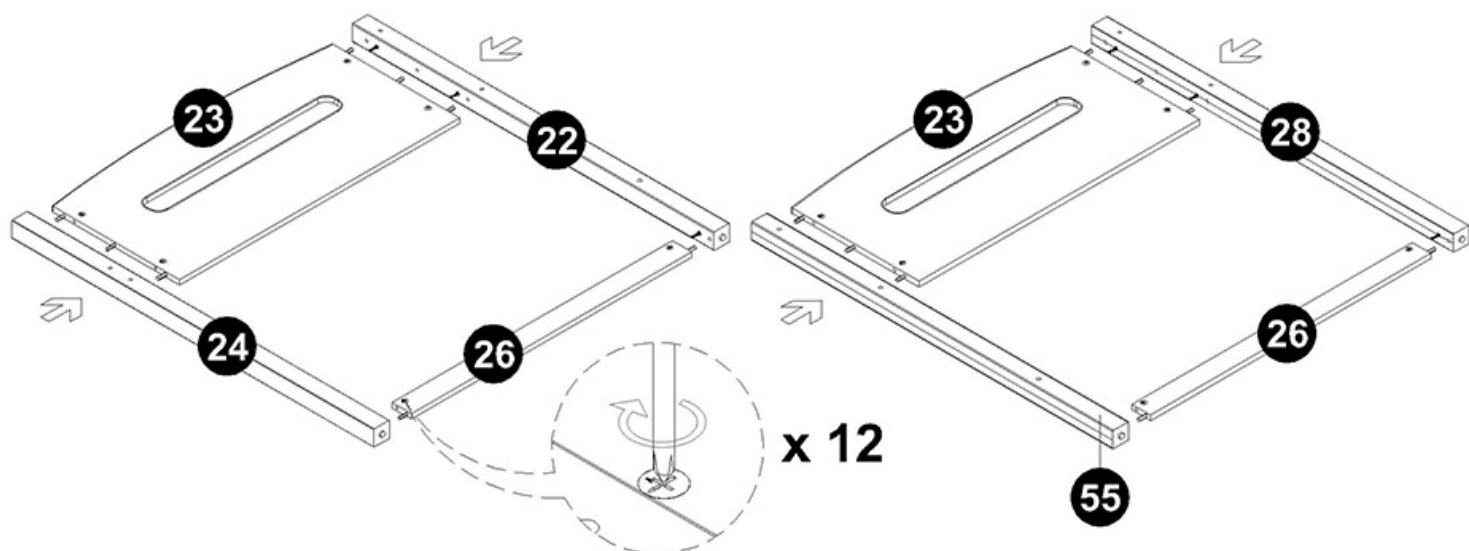
B x 12



D x 16



5



6



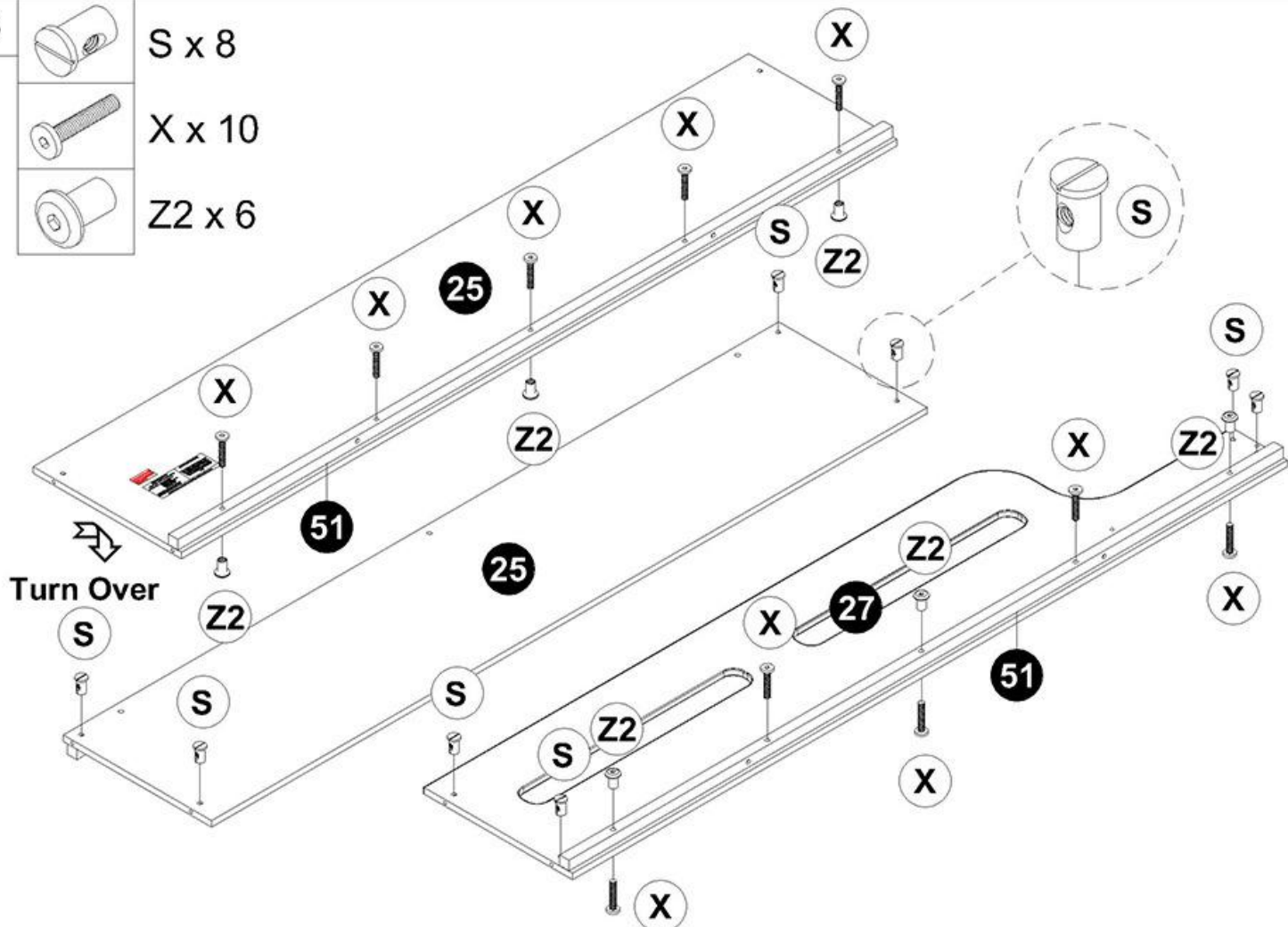
S x 8



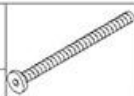
X x 10



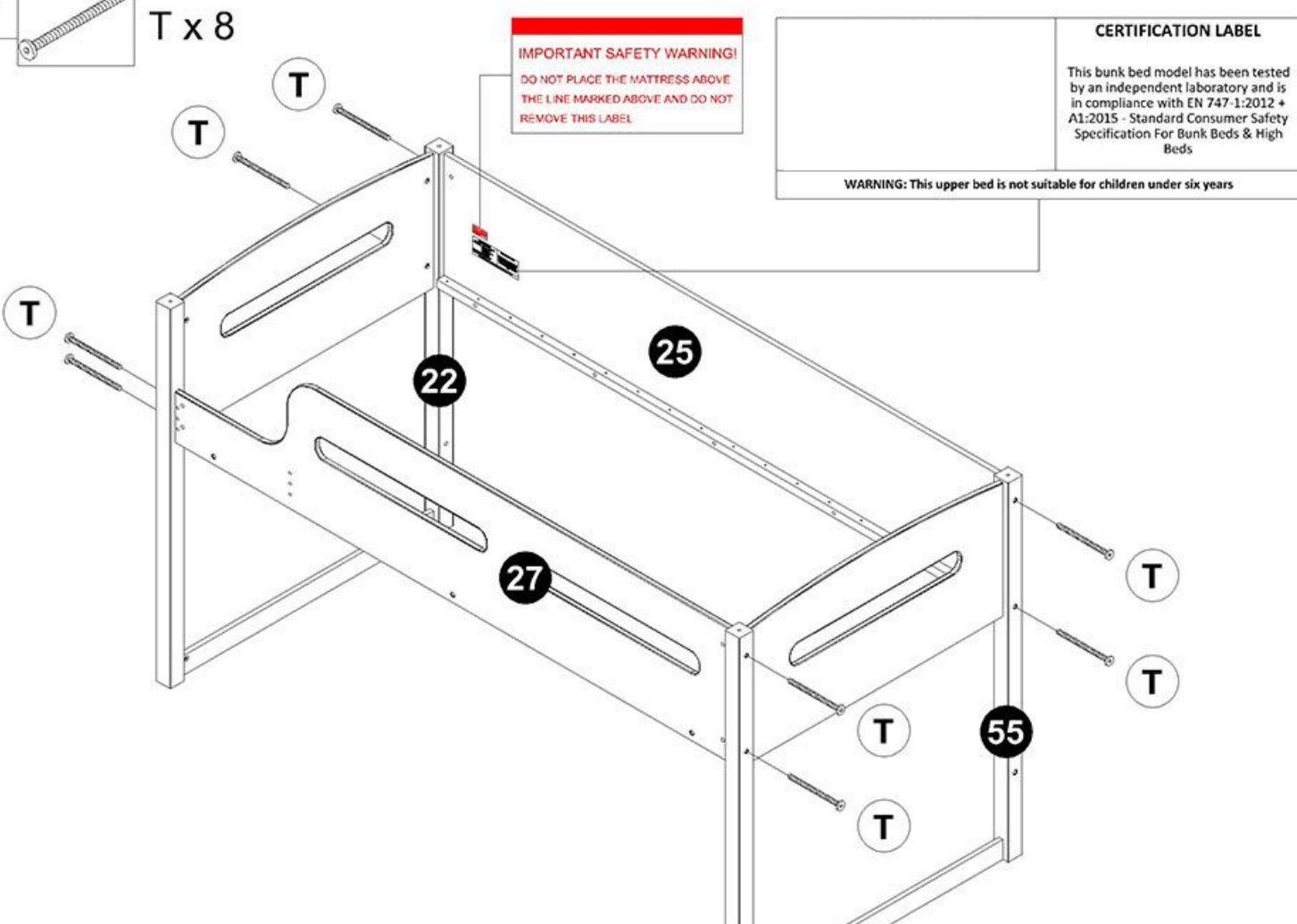
Z2 x 6



7



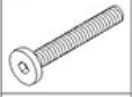
T x 8



8



U x 2



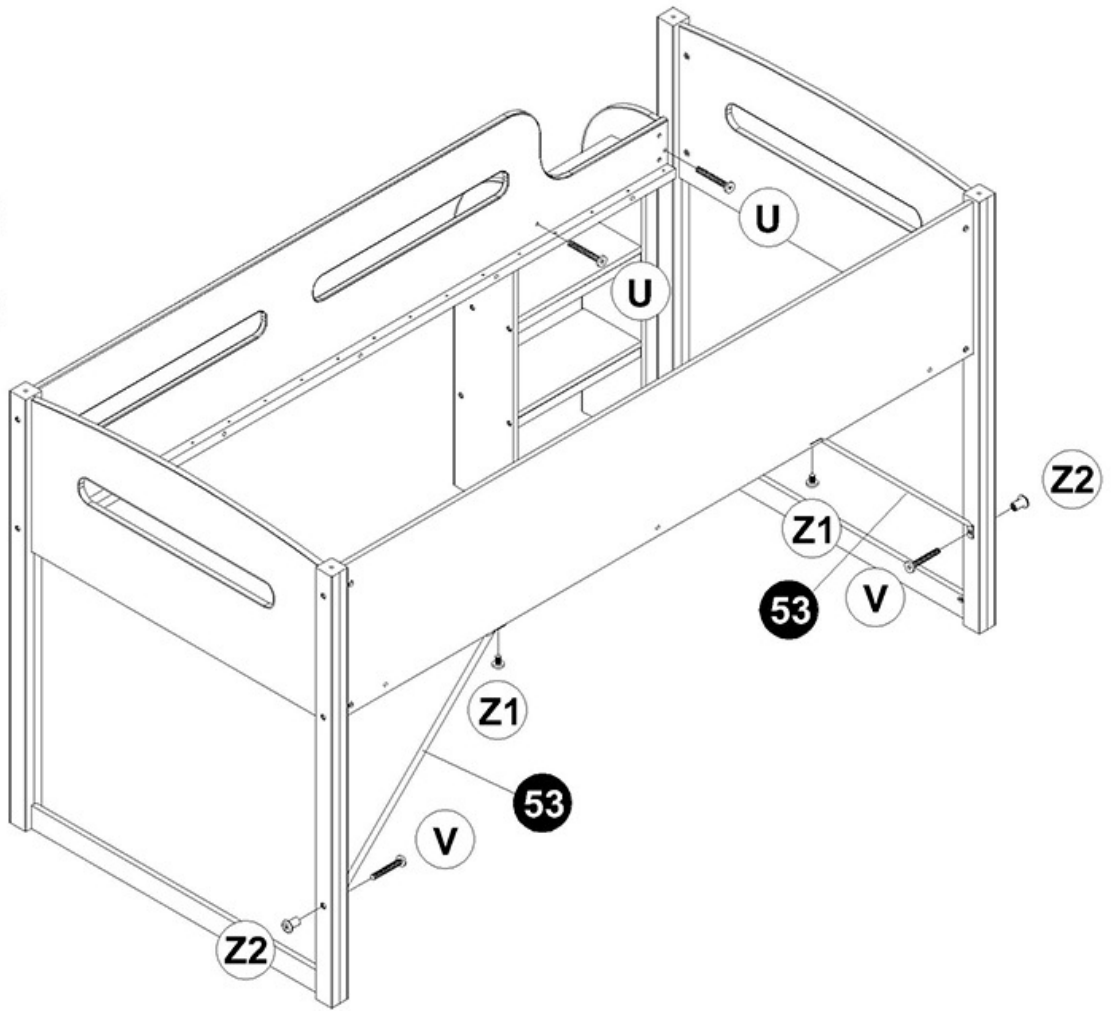
V x 2



Z1 x 2



Z2 x 2



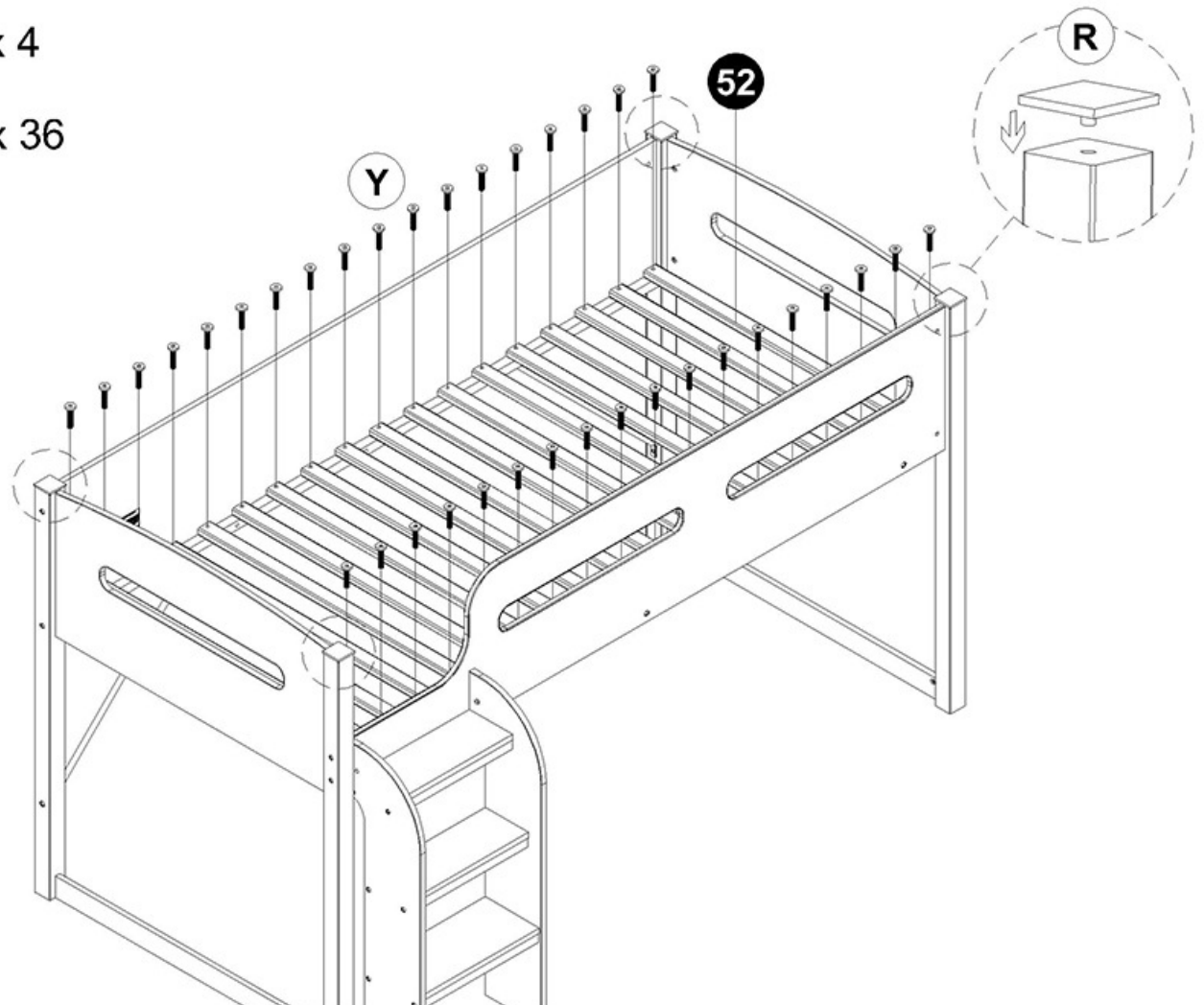
9



R x 4



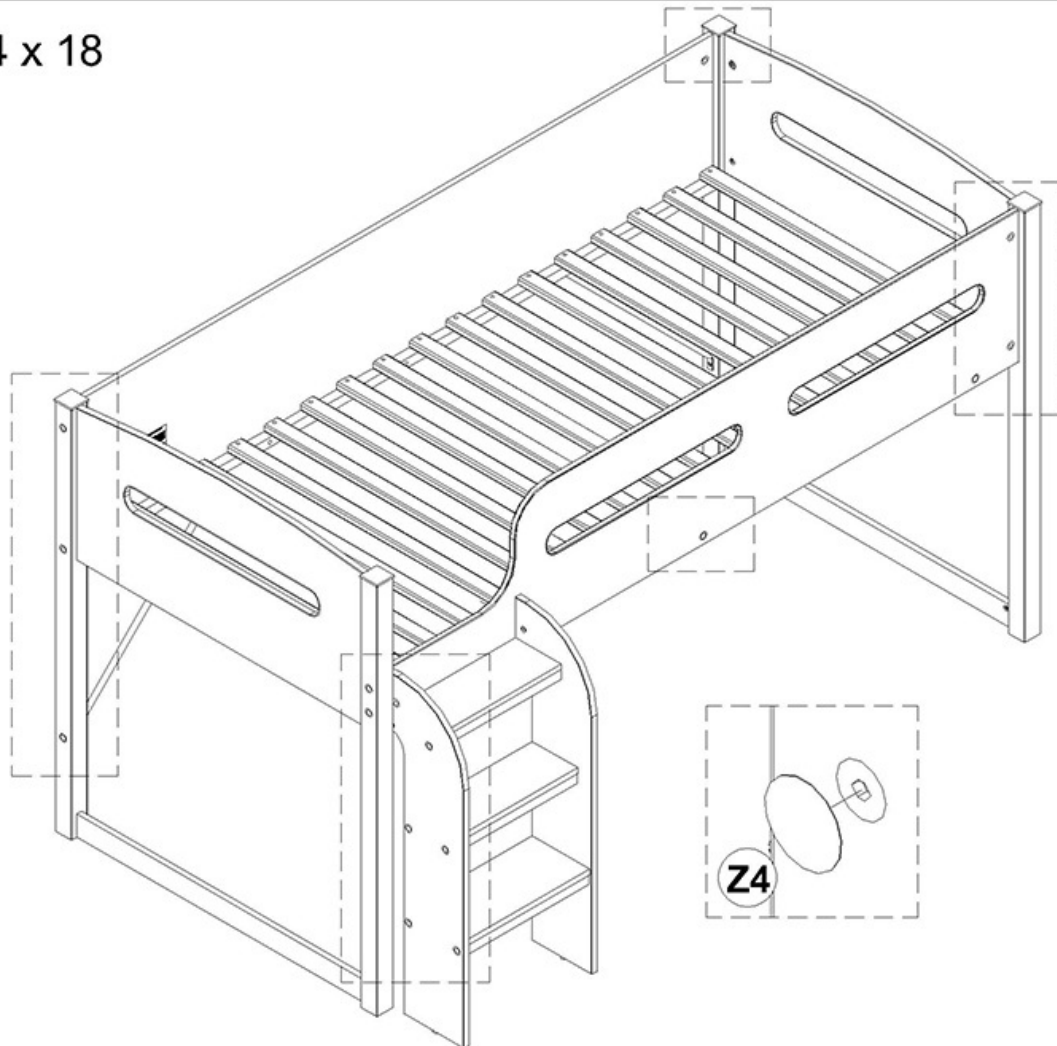
Y x 36



10



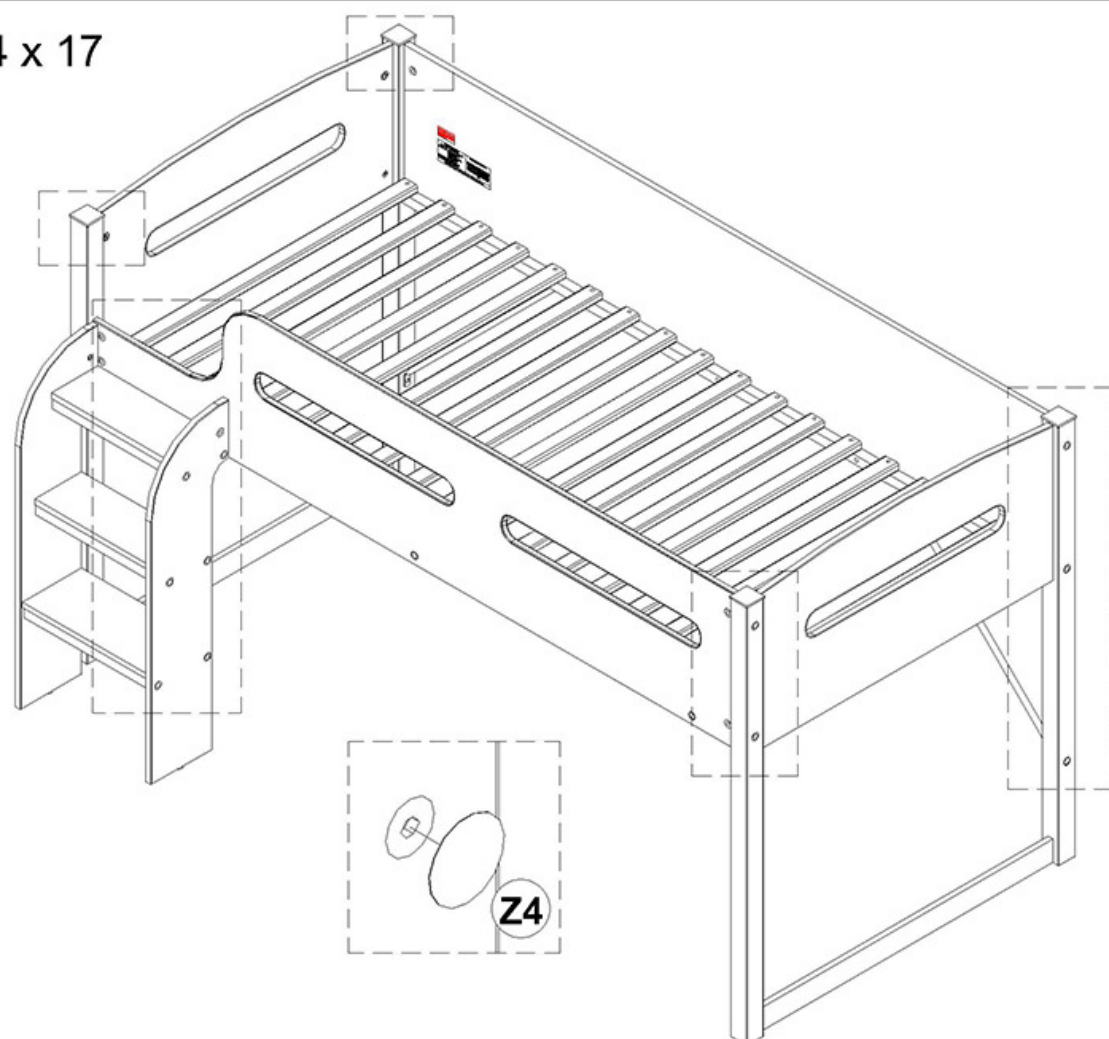
Z4 x 18



11

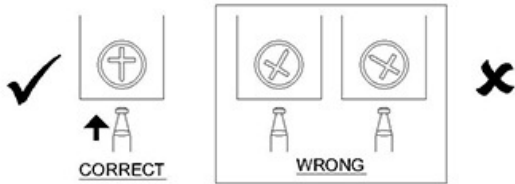


Z4 x 17

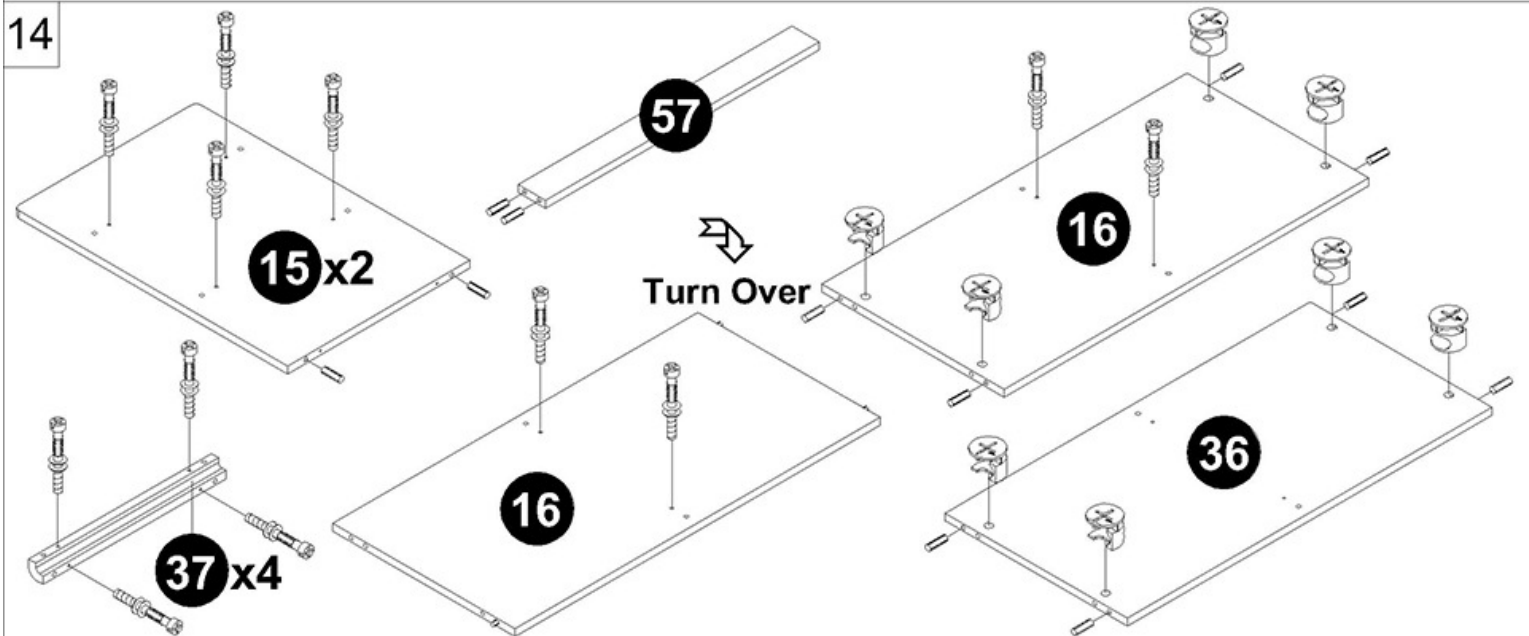
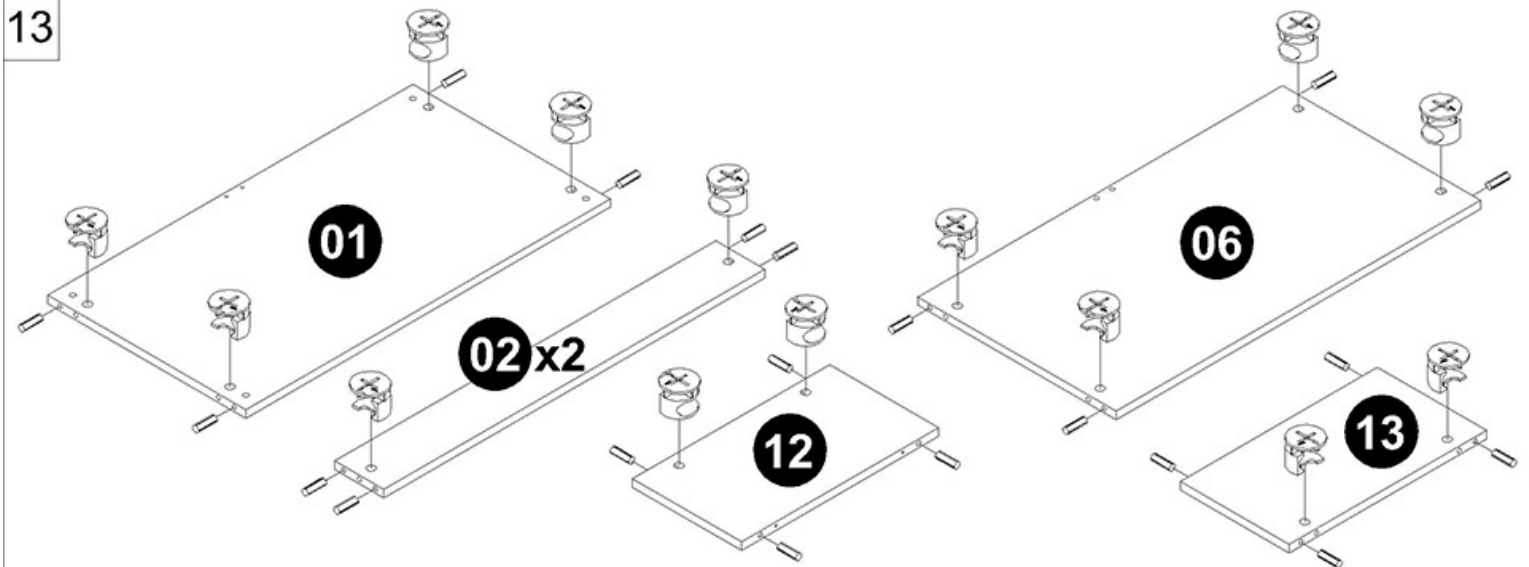
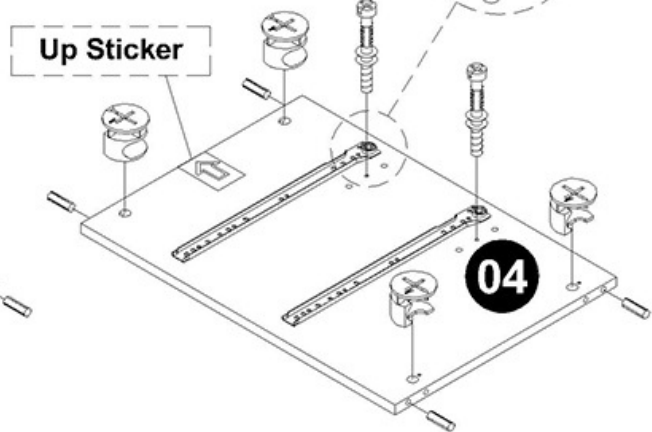
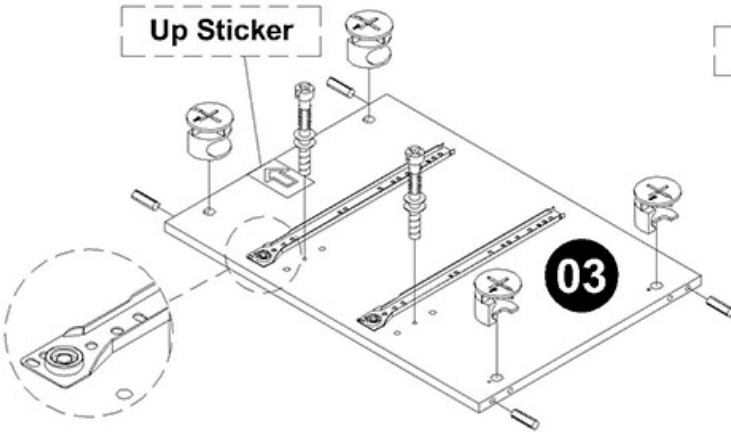
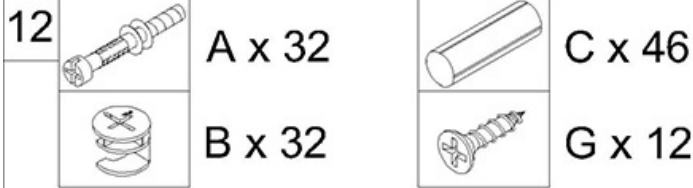
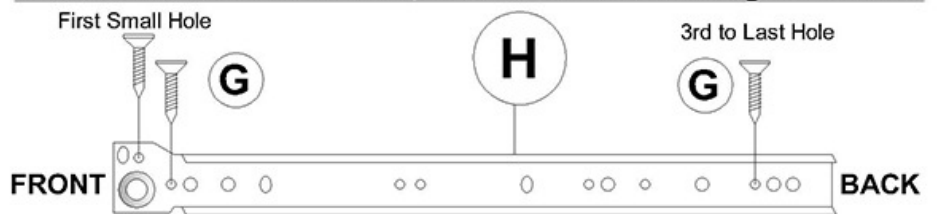


WHEN FITTING CAMS

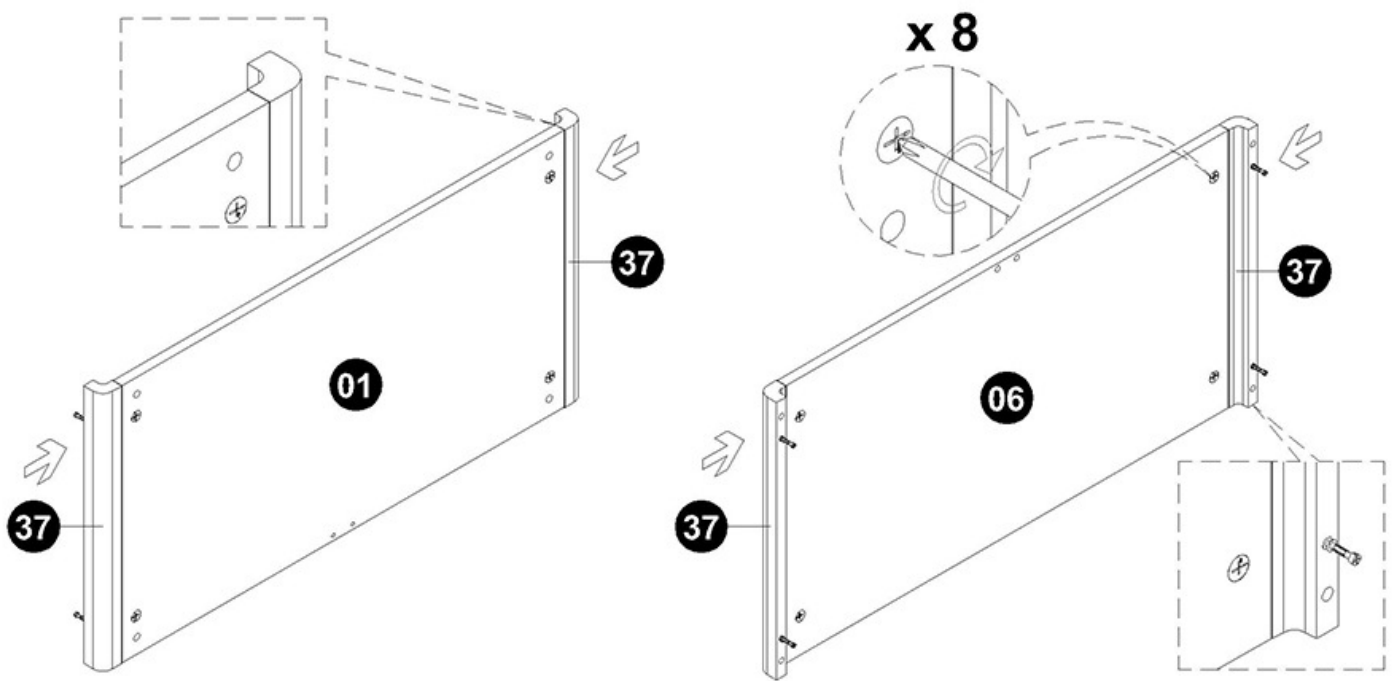
ENSURE STARTING POSITION IS CORRECT
BEFORE YOU INSERT CONNECTING BOLT
TURN CLOCKWISE UNTIL SECURE



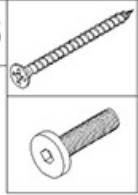
To Attach the Drawer Slide, Please Follow The Diagram Below



15



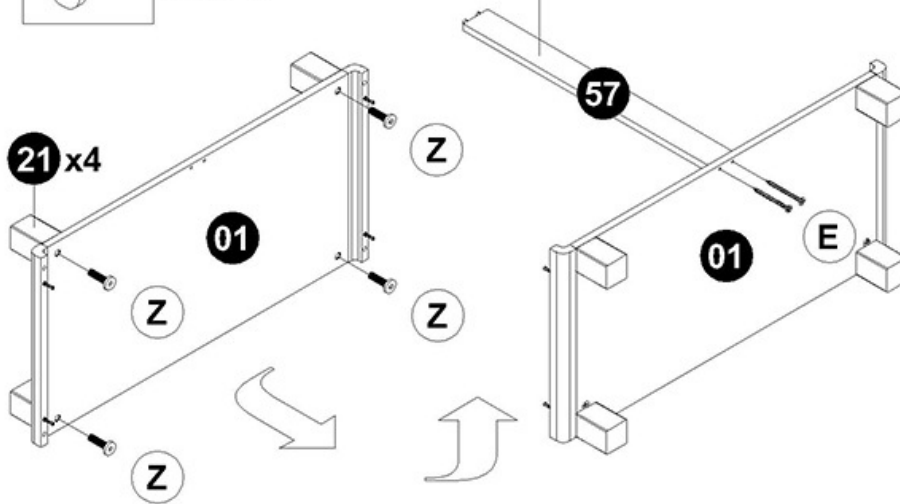
16



E x 2

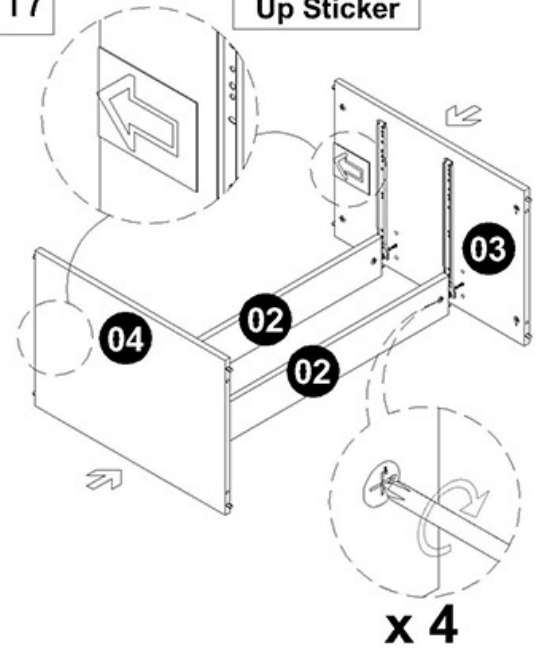
Z x 4

Hold This Panel



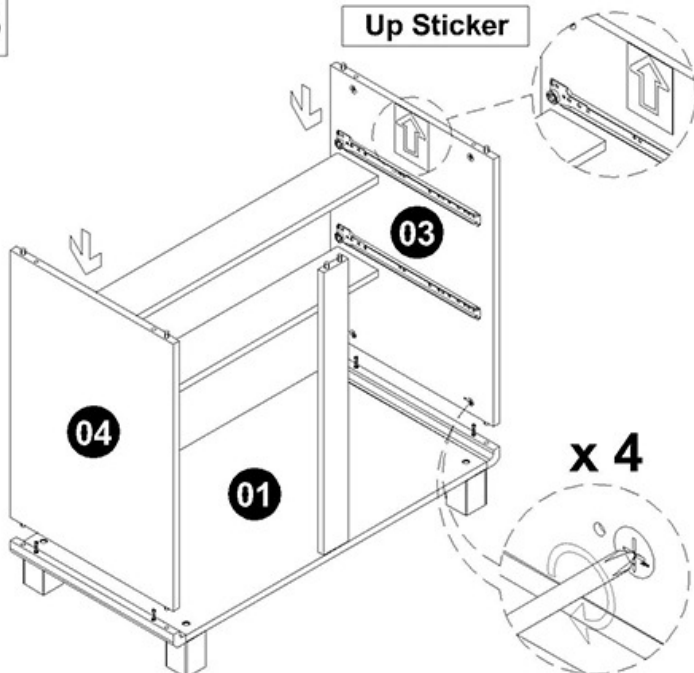
17

Up Sticker



18

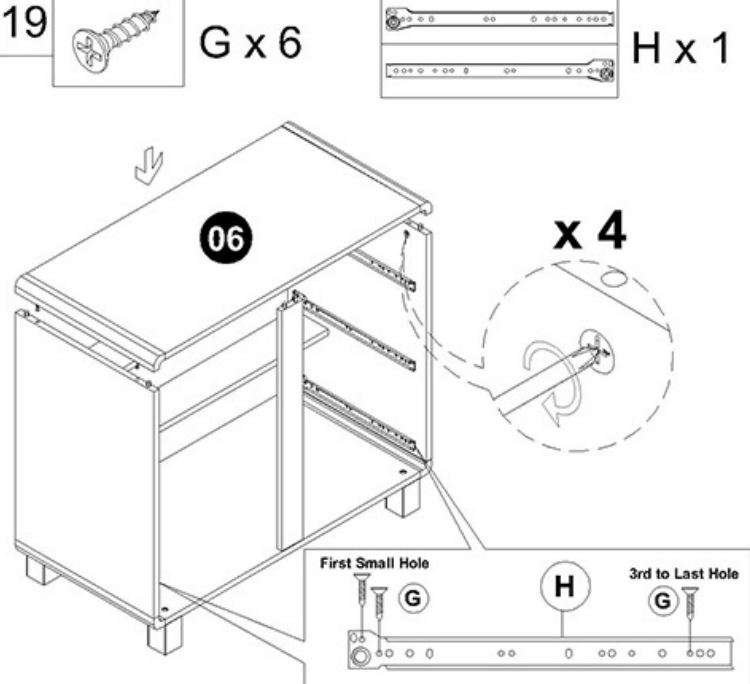
Up Sticker



19

G x 6

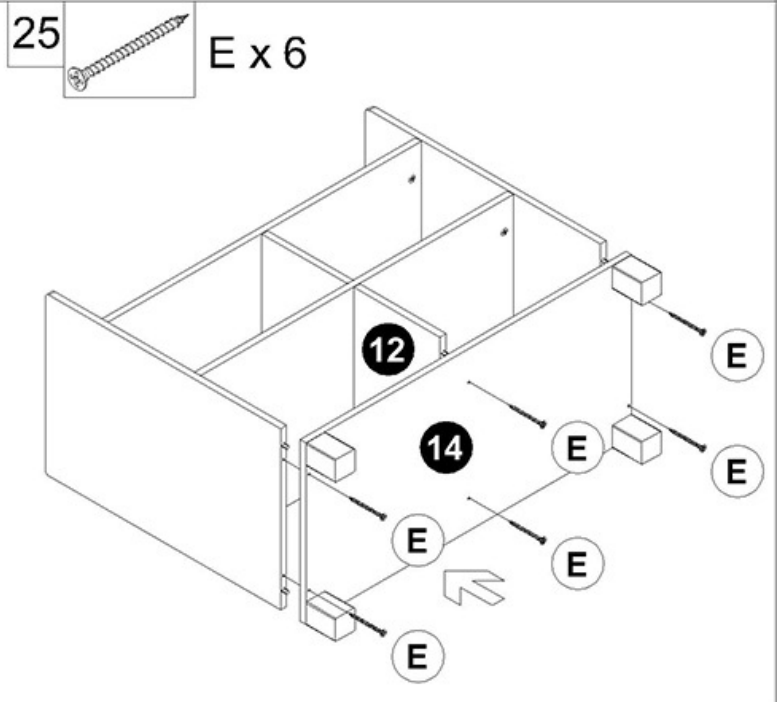
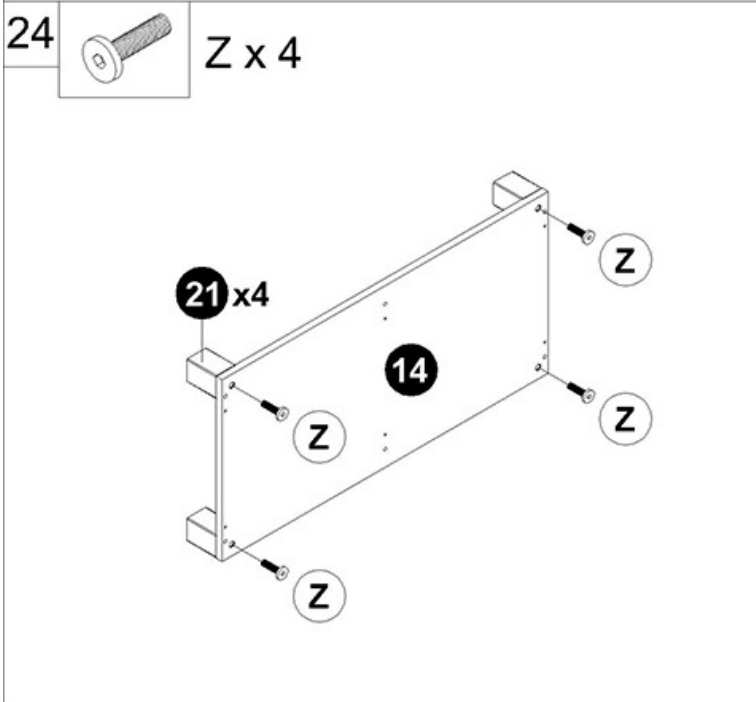
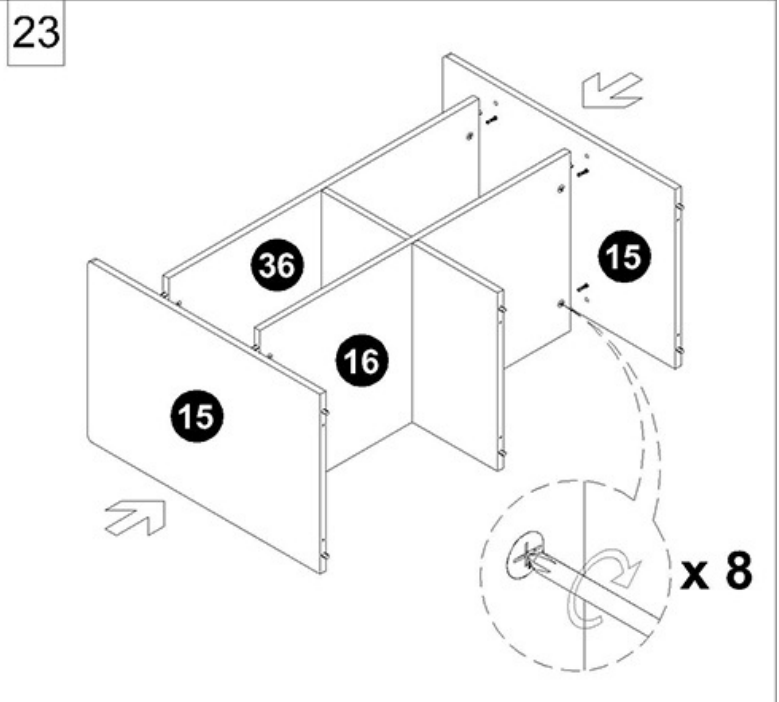
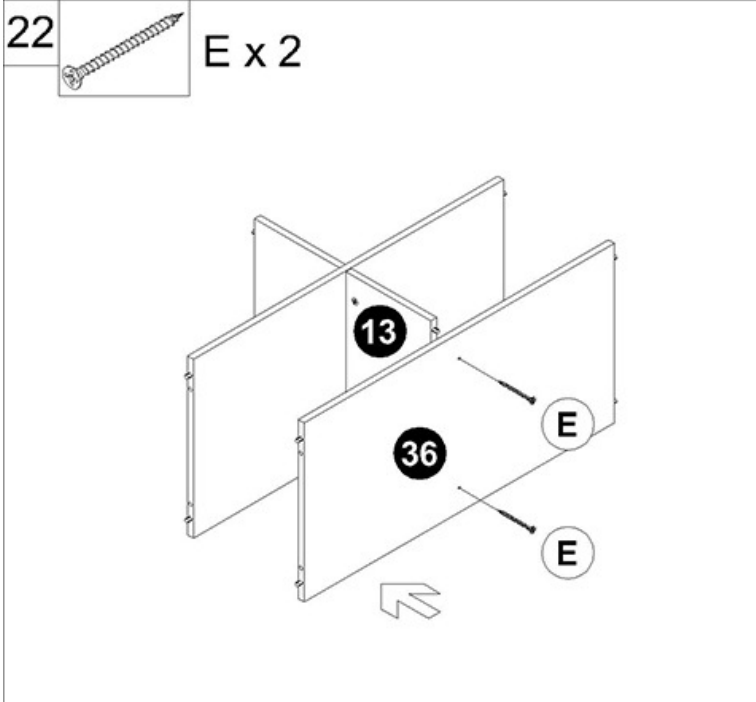
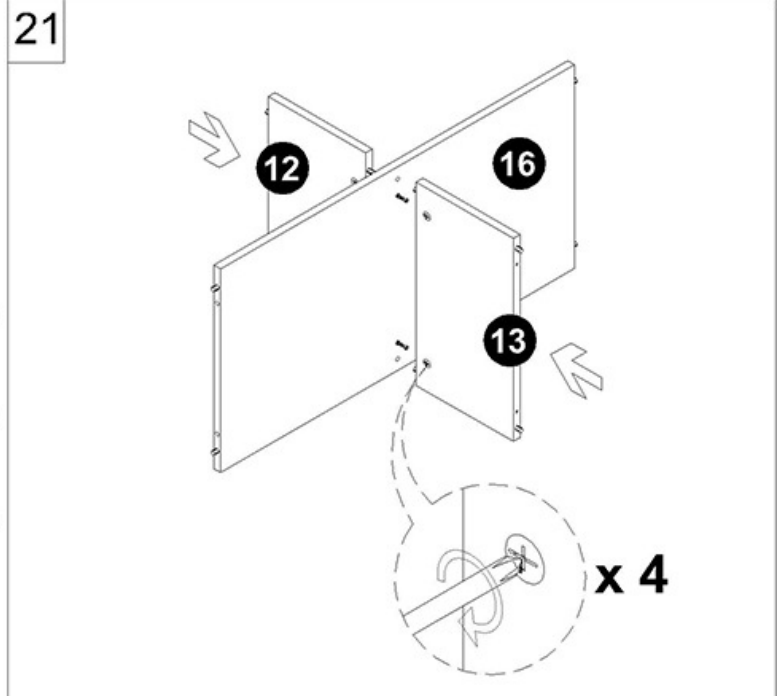
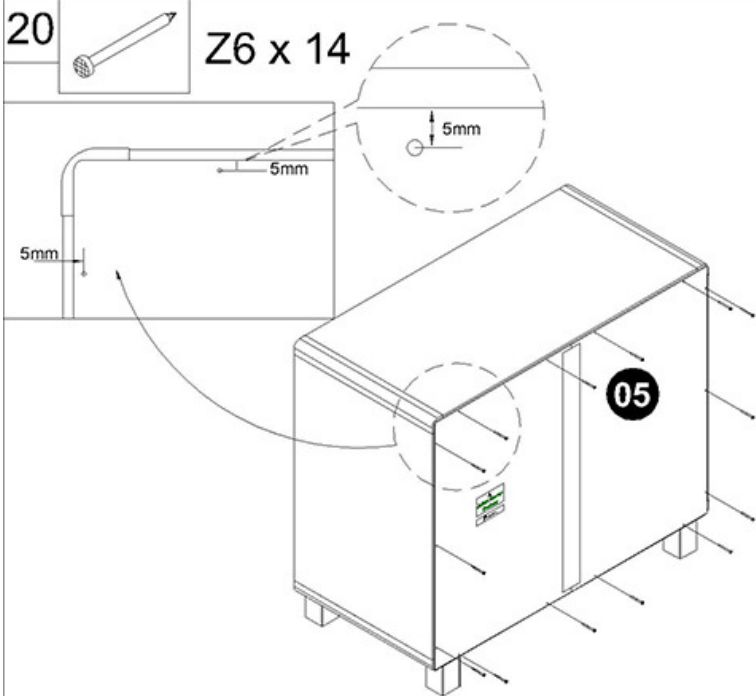
H x 1



First Small Hole

H

3rd to Last Hole



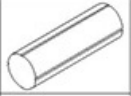
26



A x 16



B x 16



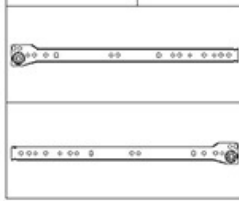
C x 24



J x 4



G x 6



H x 1

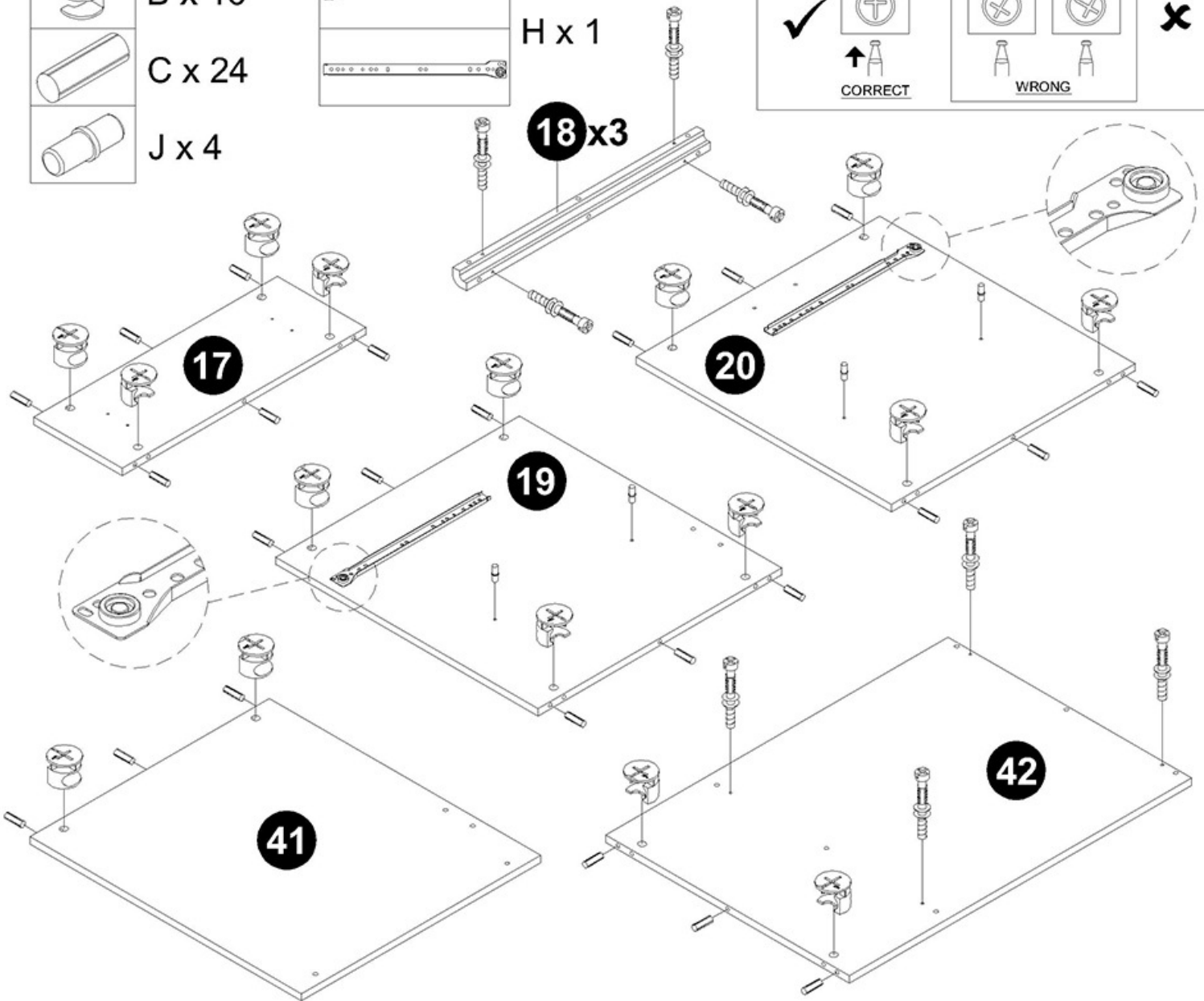
WHEN FITTING CAMS
ENSURE STARTING POSITION IS CORRECT
BEFORE YOU INSERT CONNECTING BOLT
TURN CLOCKWISE UNTIL SECURE



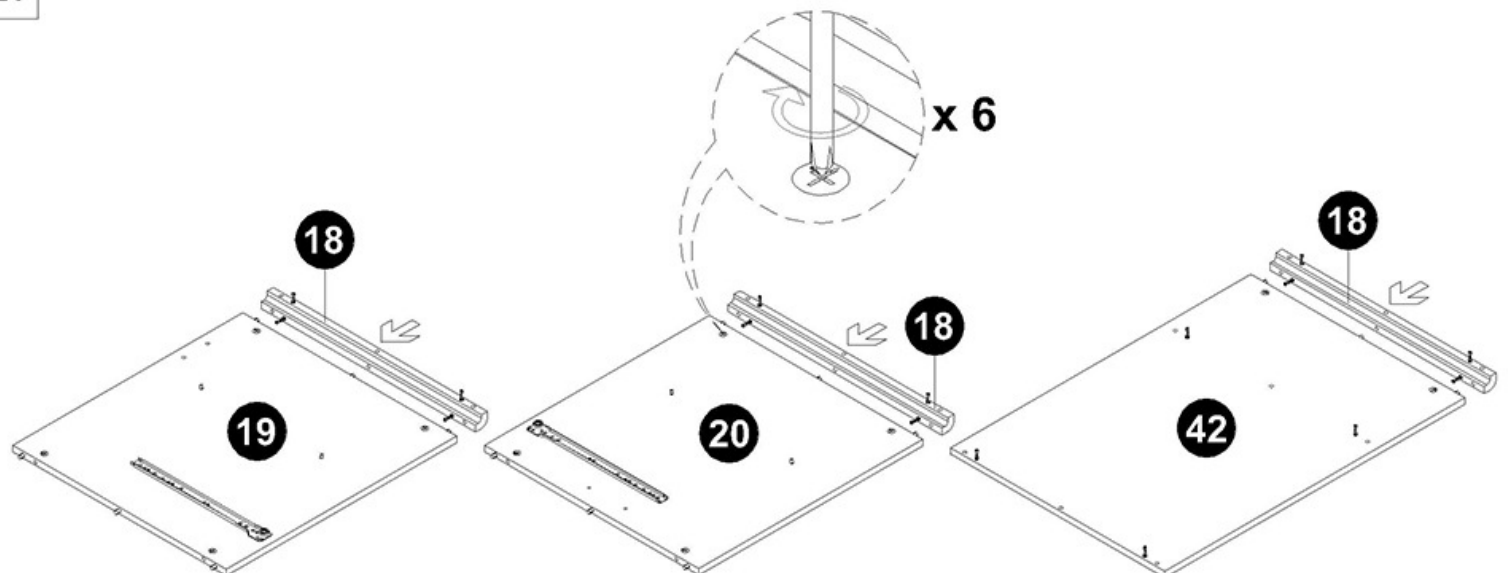
CORRECT



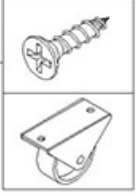
WRONG



27

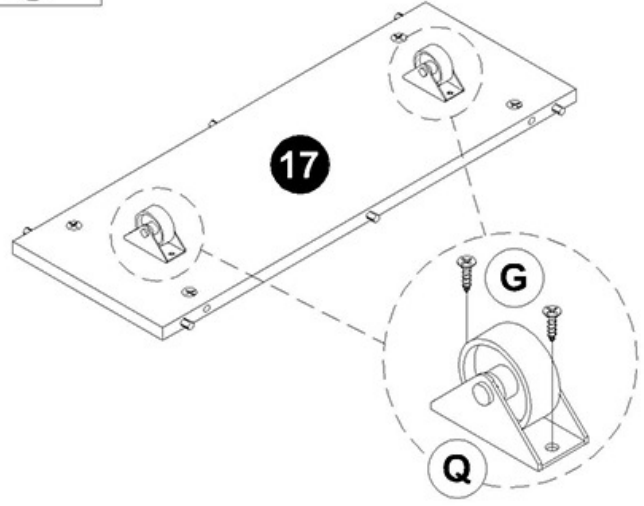


28

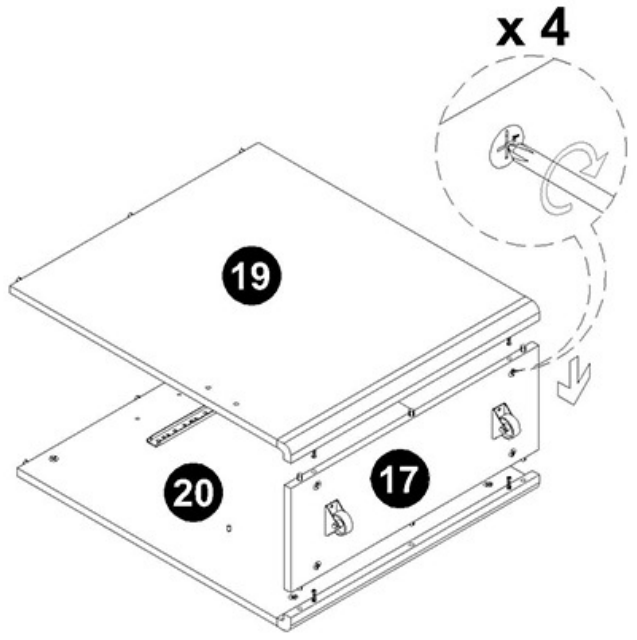


G x 4

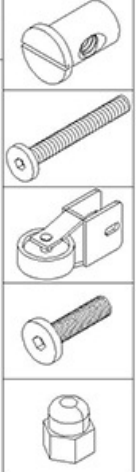
Q x 2



29



30



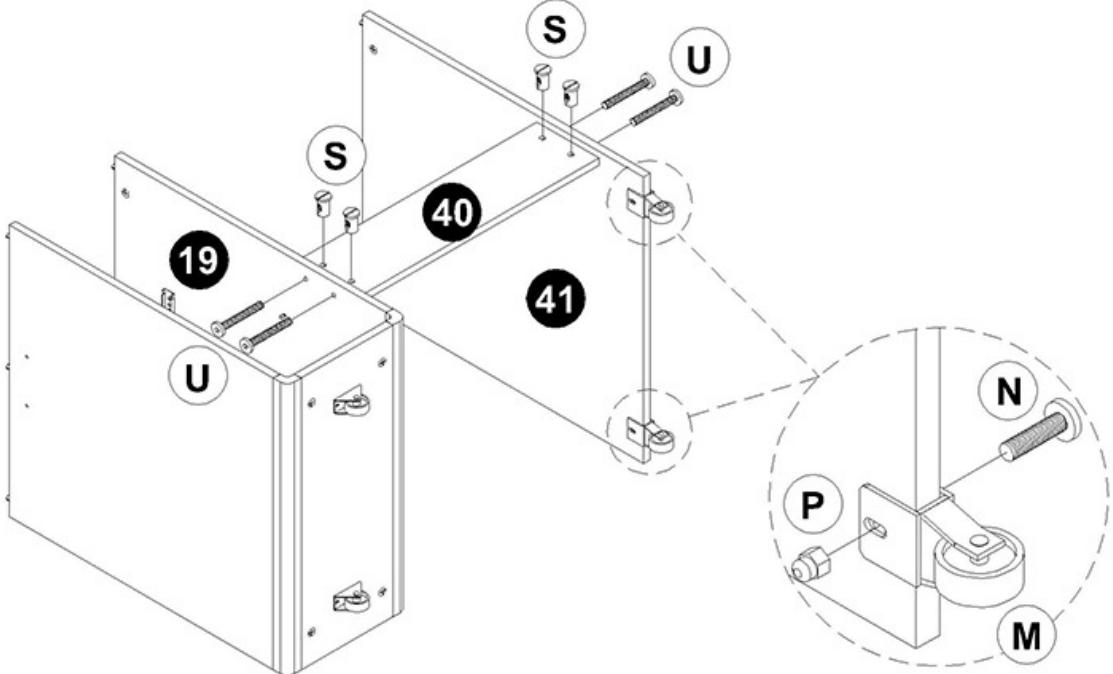
S x 4

U x 4

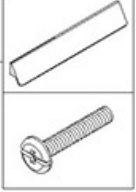
M x 2

N x 2

P x 2

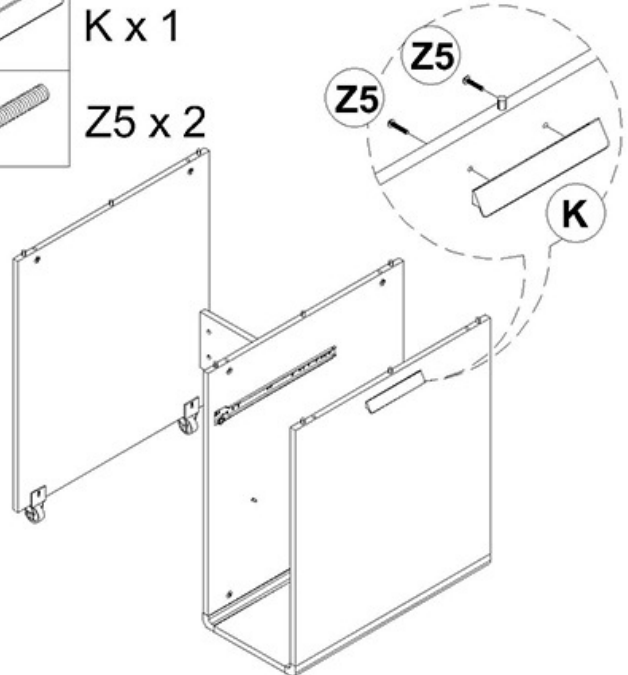


31

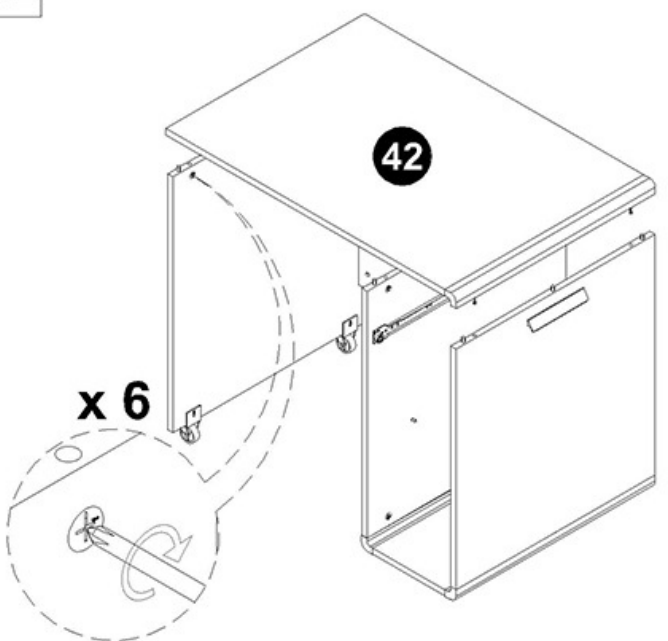


K x 1

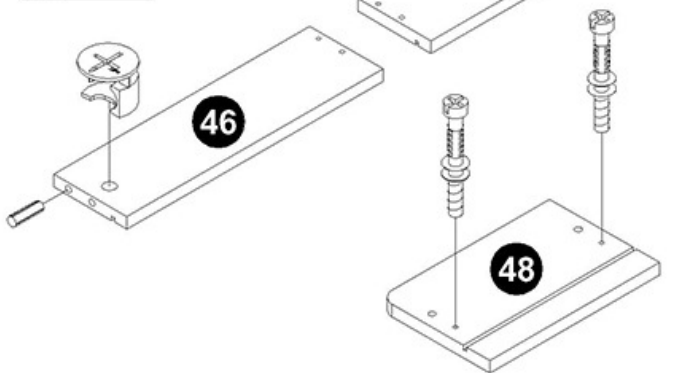
Z5 x 2



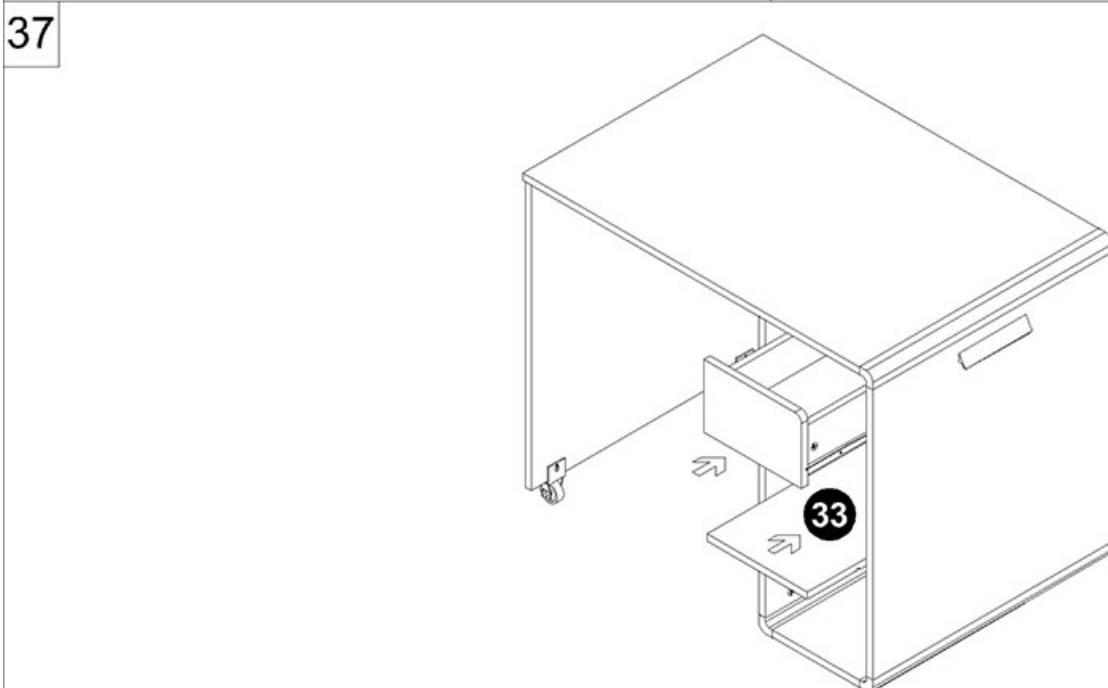
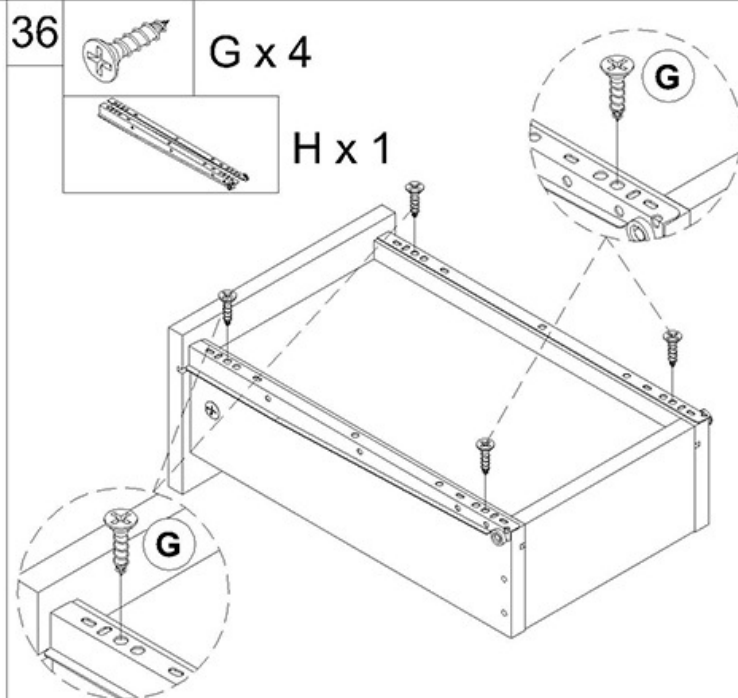
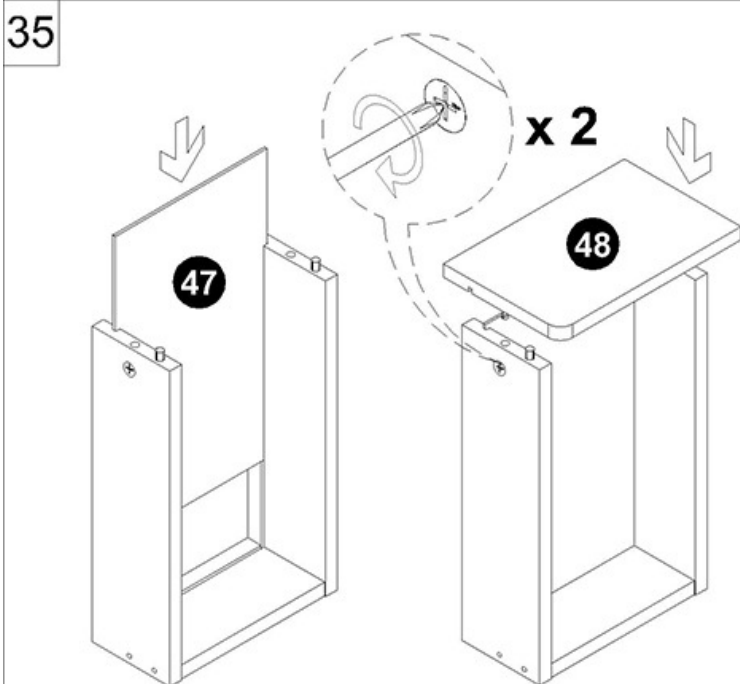
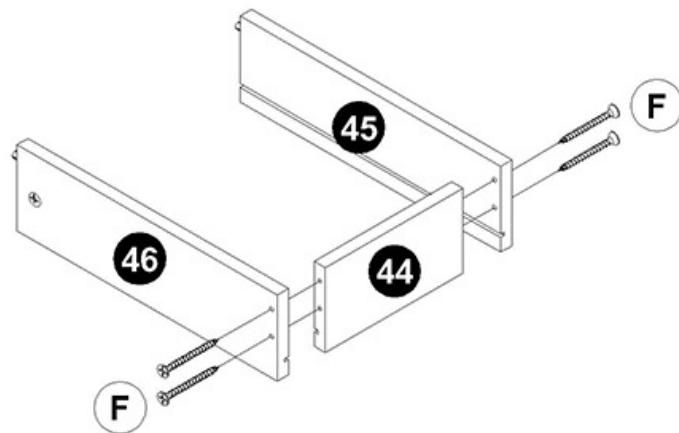
32



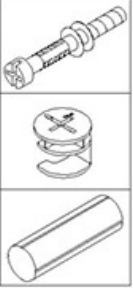
- 33
- A x 2
 - B x 2
 - C x 2



- 34
- F x 4



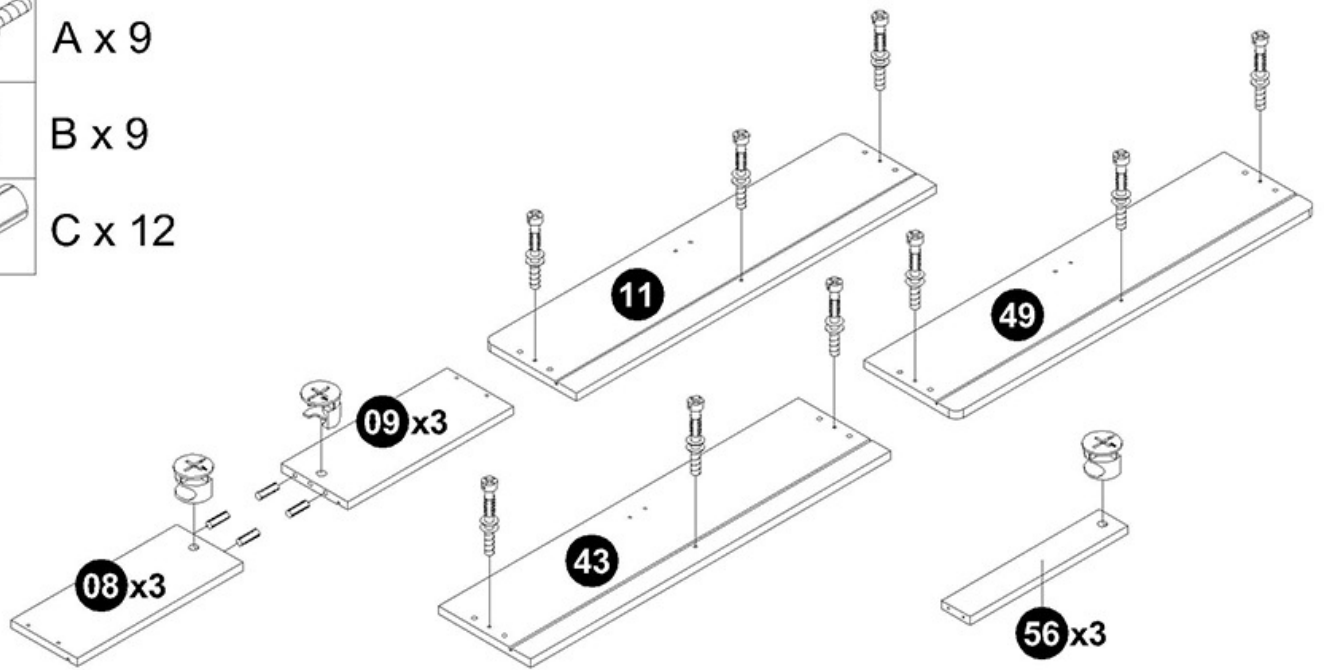
38



A x 9

B x 9

C x 12



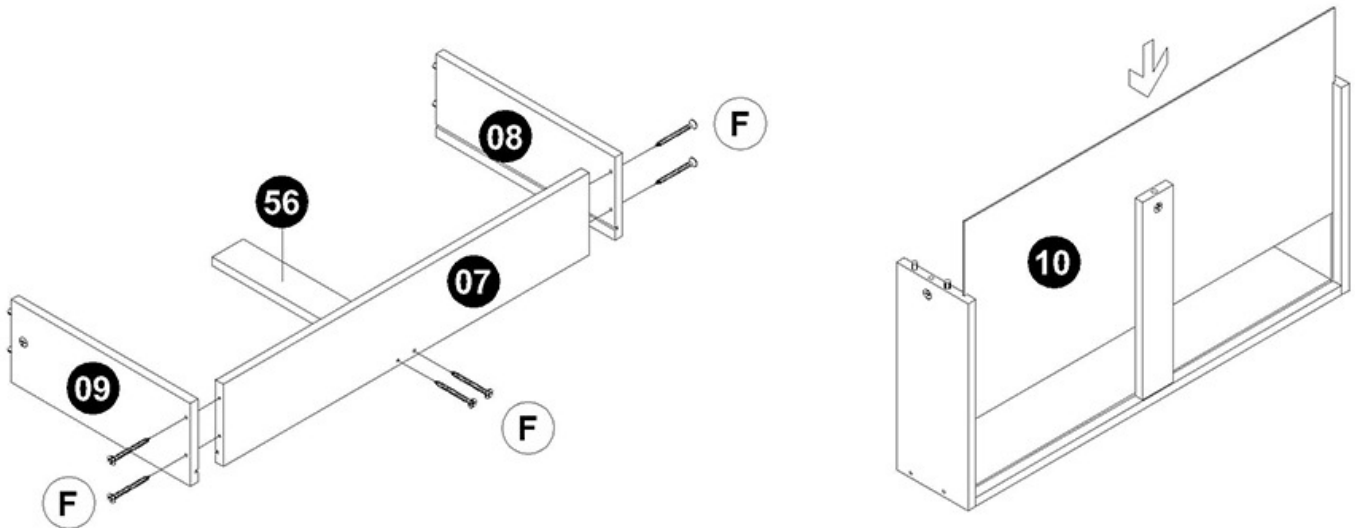
39



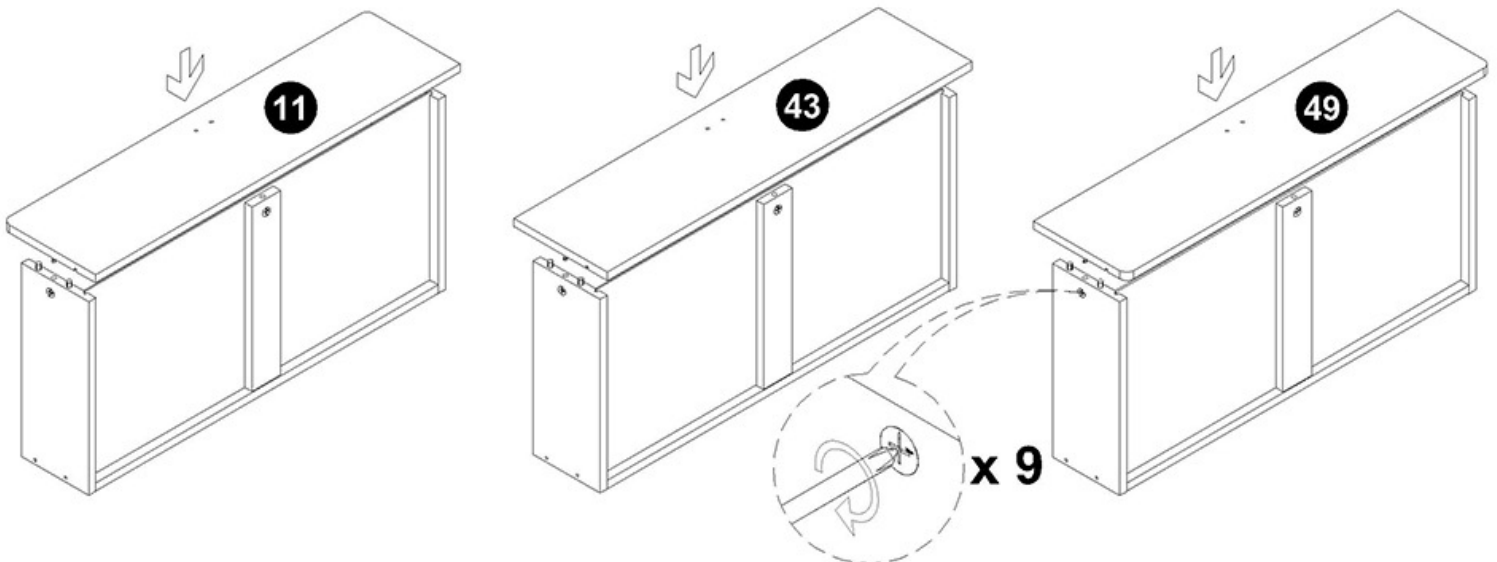
F x 18

40

X3



41



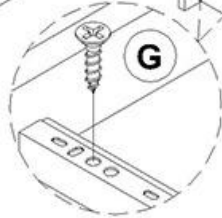
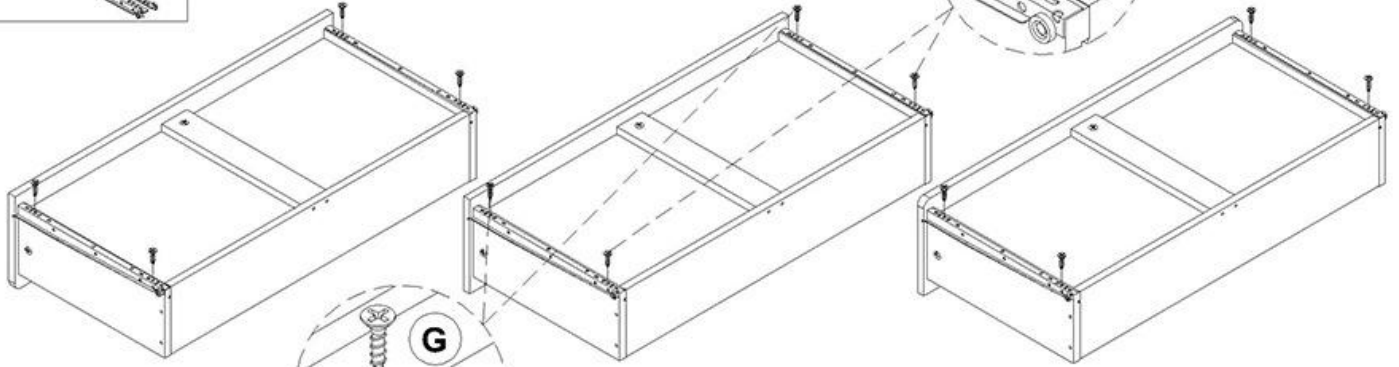
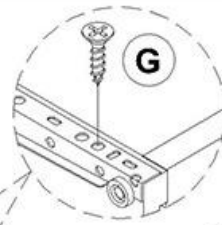
42



G x 12



H x 3



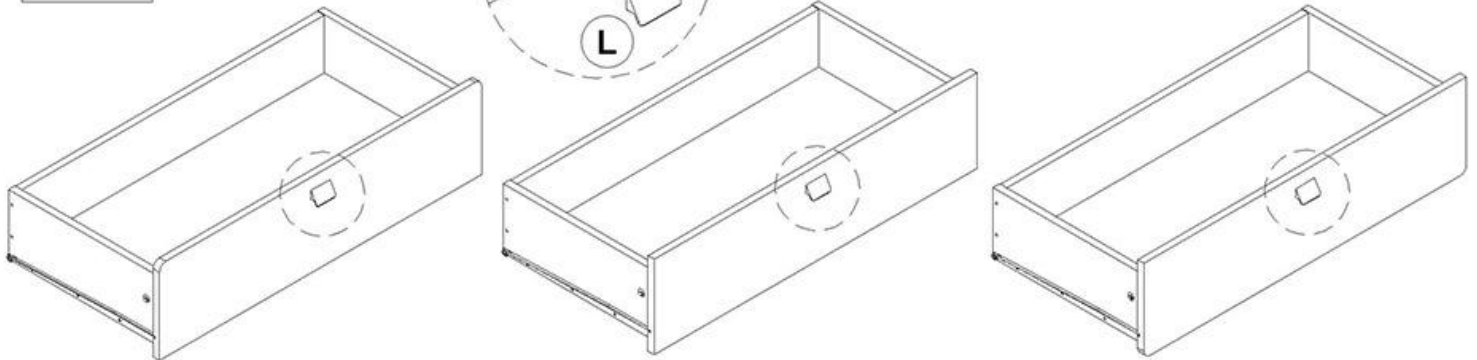
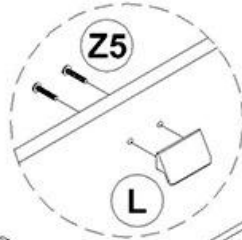
43



L x 3

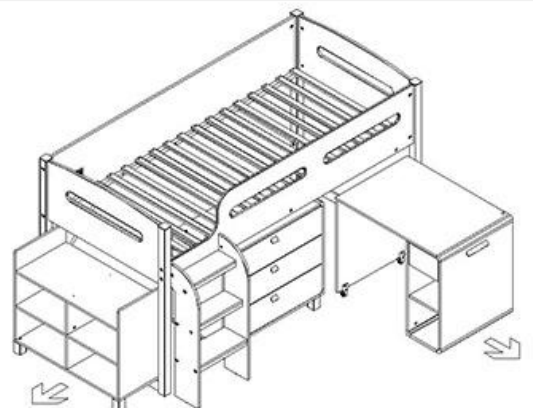
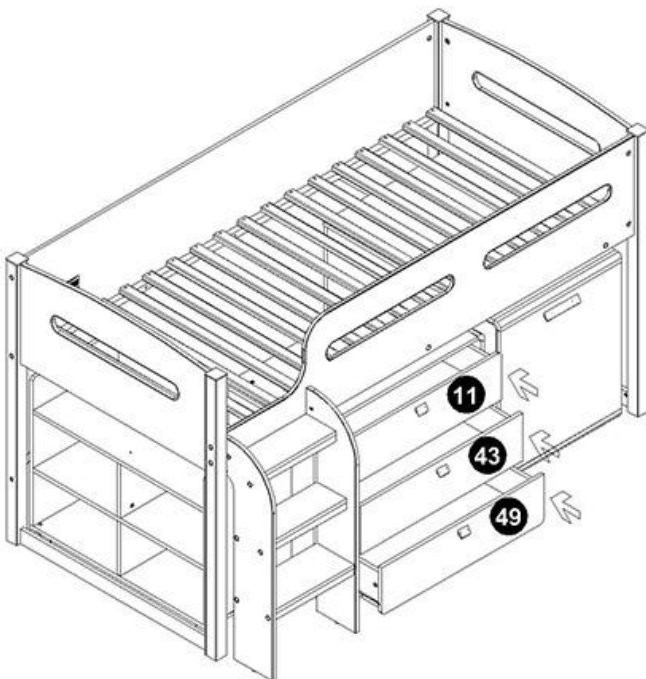


Z5 x 6



44

Your Cabin Bed is now complete and ready to use.



General Care

Wipe clean with a slightly damp soft cloth.

Avoid the use of all household cleaners and abrasives.

When moving your furniture, carefully lift into place. Never drag or push the pieces across the floor as this will cause damage to the joints and could result in failure to the product that will invalidate the warranty.

Recommendations

Periodical re-tightening of fixings.

Warning

This unit is heavy. Please use an assistant when lifting.

Notes

We've tried to make this piece of furniture as easy to assemble as possible.