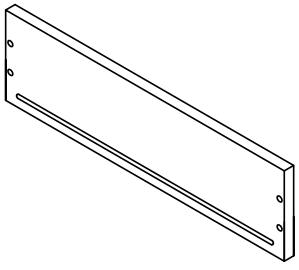
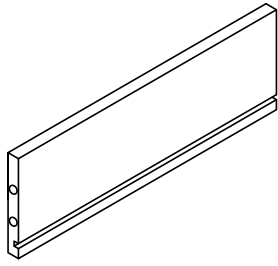


9222 Product Installation Instructions

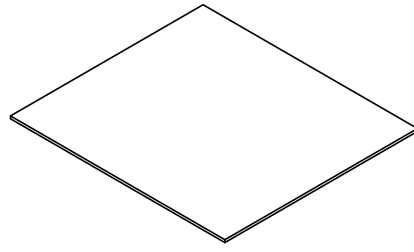




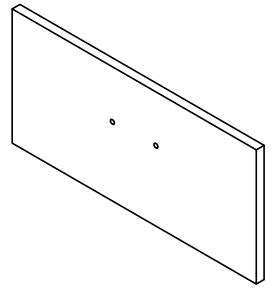
Ax3



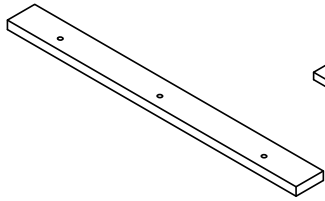
Bx6



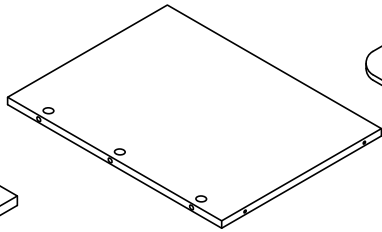
Cx3



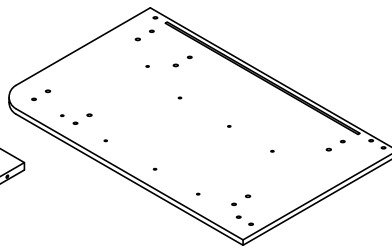
Dx3



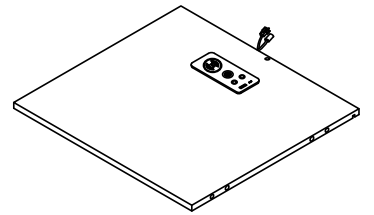
Ex1



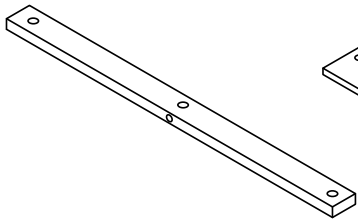
Fx1



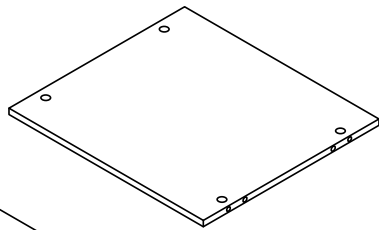
Gx1



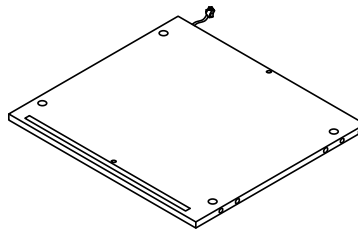
Hx1



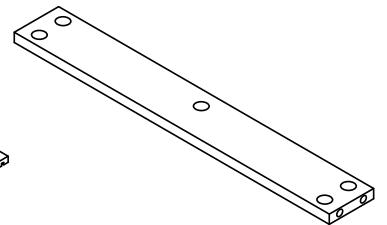
Ix1



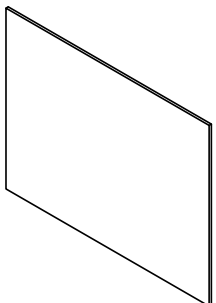
Jx1



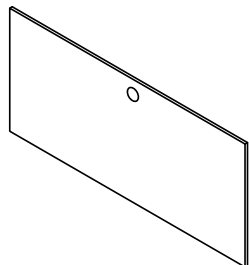
Lx1



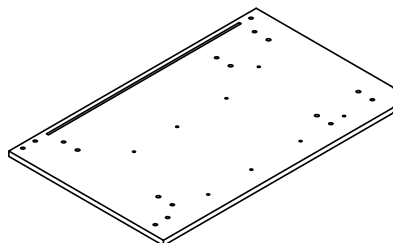
Mx2



Nx1



Ox1

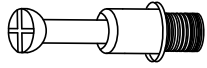

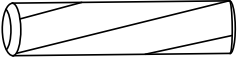
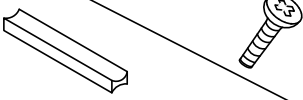
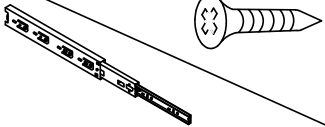

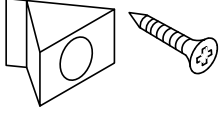
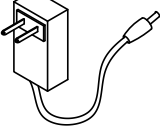


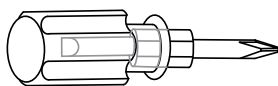
Px1



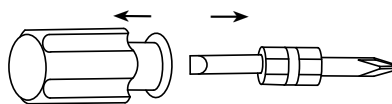
1

Accessories list

①		Two In One Screw (6x28mm)	52pcs +4pcs
②		Two In One Nut (10x12mm)	52pcs +4pcs
③		Wood Chipping (6x30mm)	12pcs +2pcs
④		Handle & Screw (4x14mm)	6pcs +1pcs 3pcs
⑤		Guide rails & screws (3x12mm)	40pcs +8pcs 8pcs
⑥		Non-slip pads	4pcs +2pcs
⑦		Fixing Clip & Screw (3x16mm)	4pcs +1pcs
		AC/DC Adapter (12V=3.0A)	1pcs

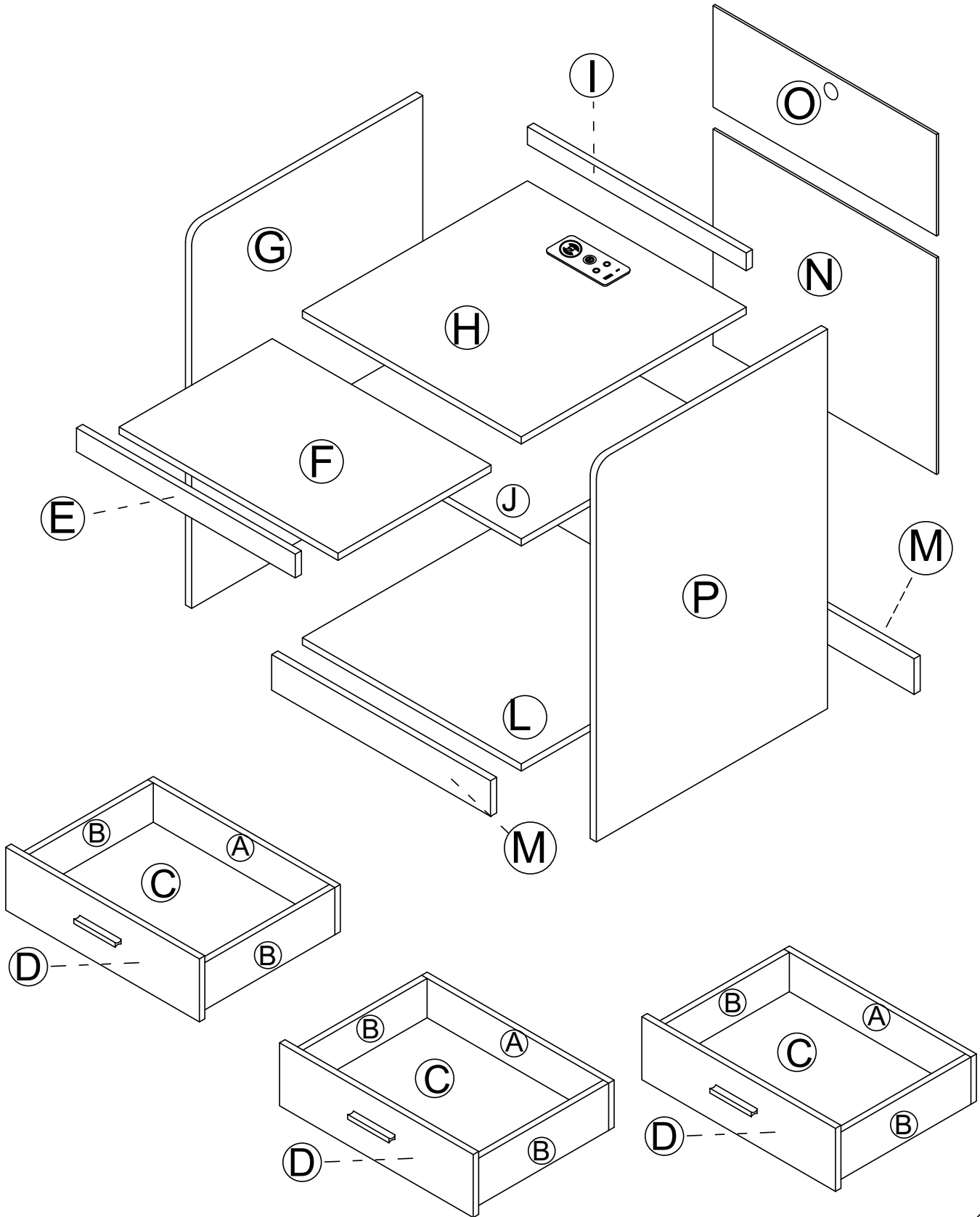


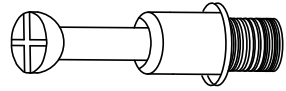
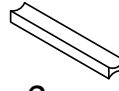


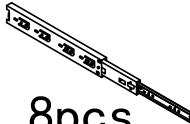
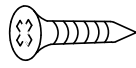
1pcs

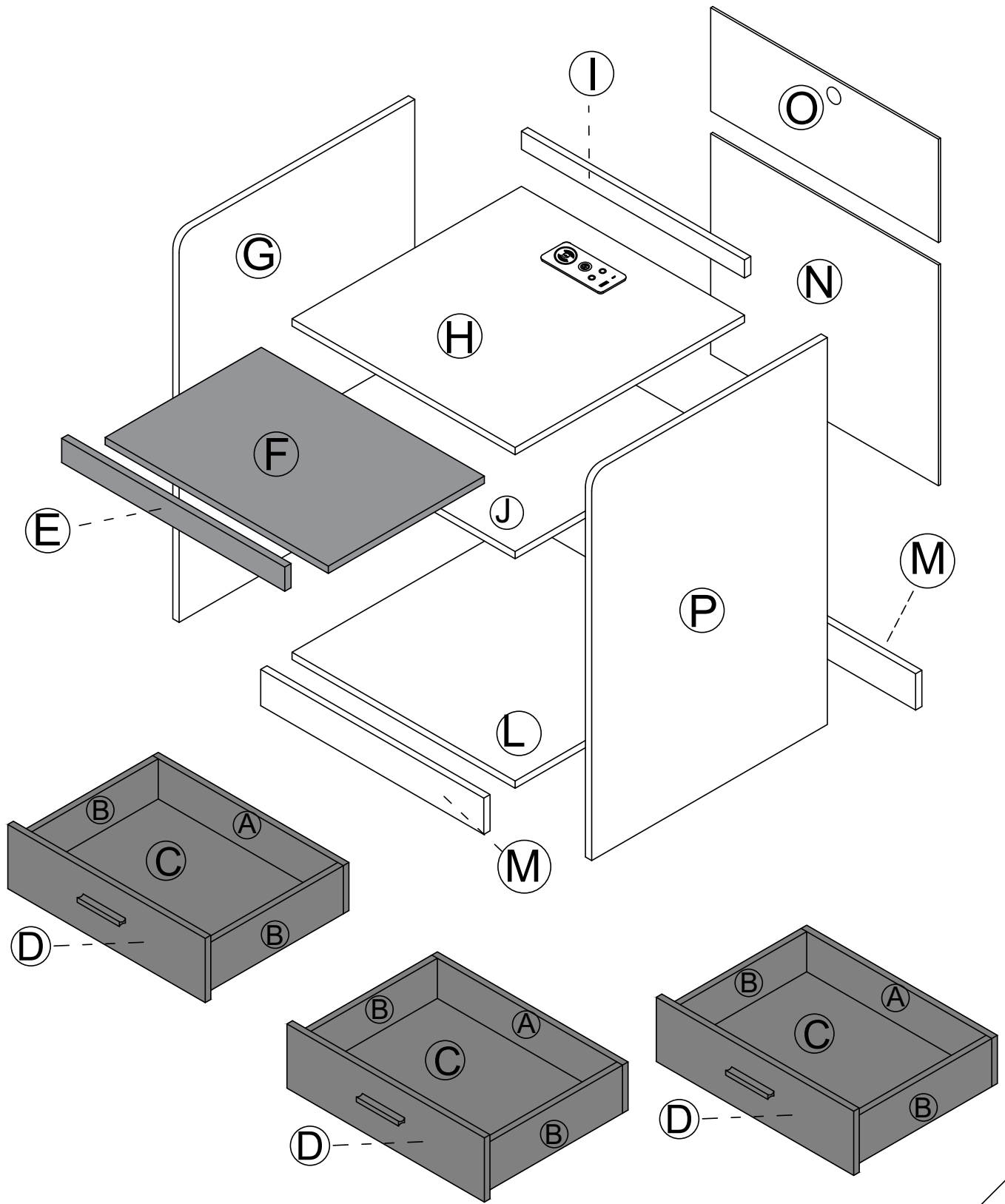


Double-head screwdriver, use as required

9222 Product structure decomposition

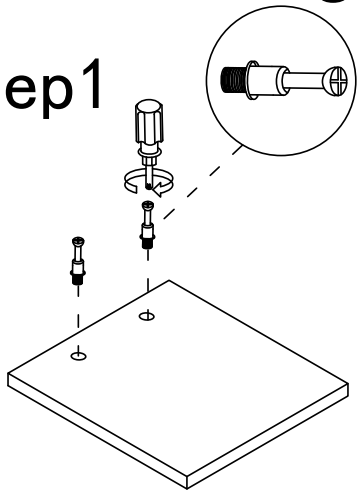


<p>1</p>		<p>27pcs</p>	<p>4</p>	 <p>3pcs</p>	 <p>6pcs</p>
<p>2</p>		<p>27pcs</p>	<p>5</p>	 <p>8pcs</p>	 <p>16pcs</p>

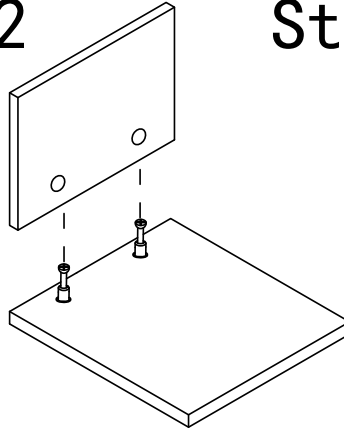


Use parts ① and ②

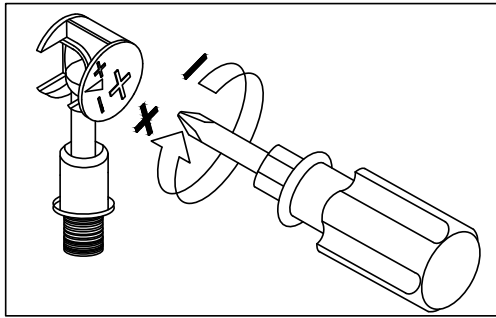
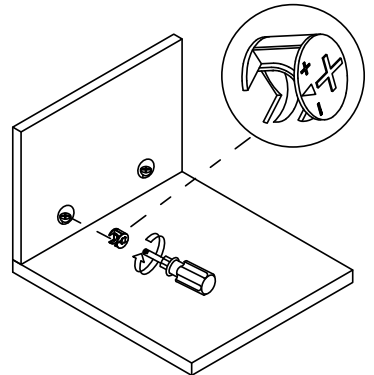
Step1



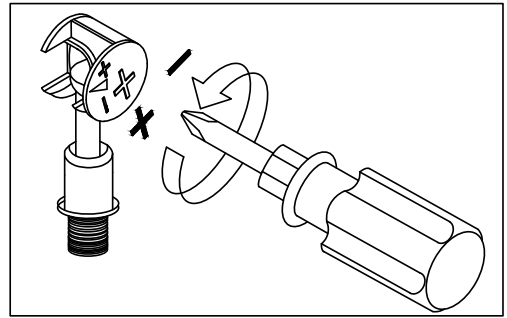
Step2



Step3

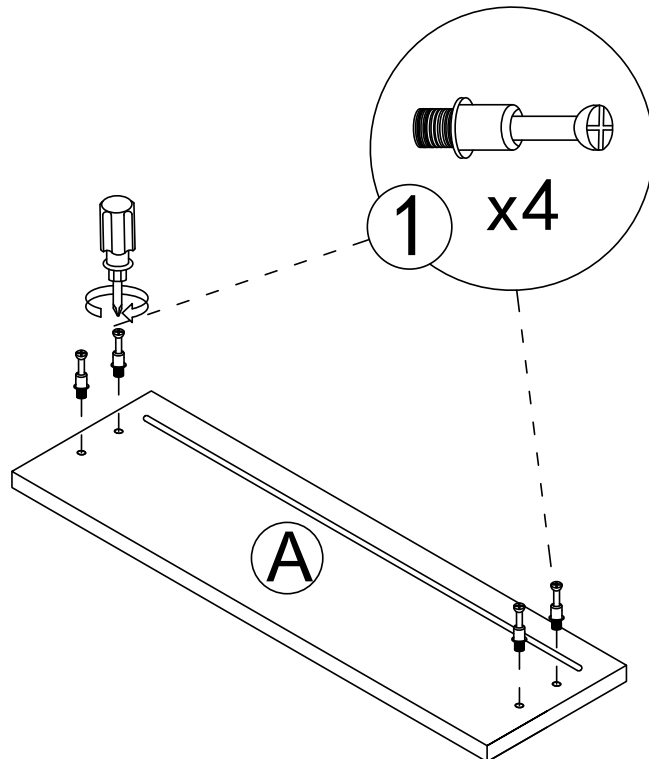
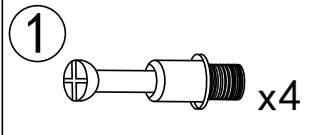


Use a screwdriver to lock in the direction of the "+" sign

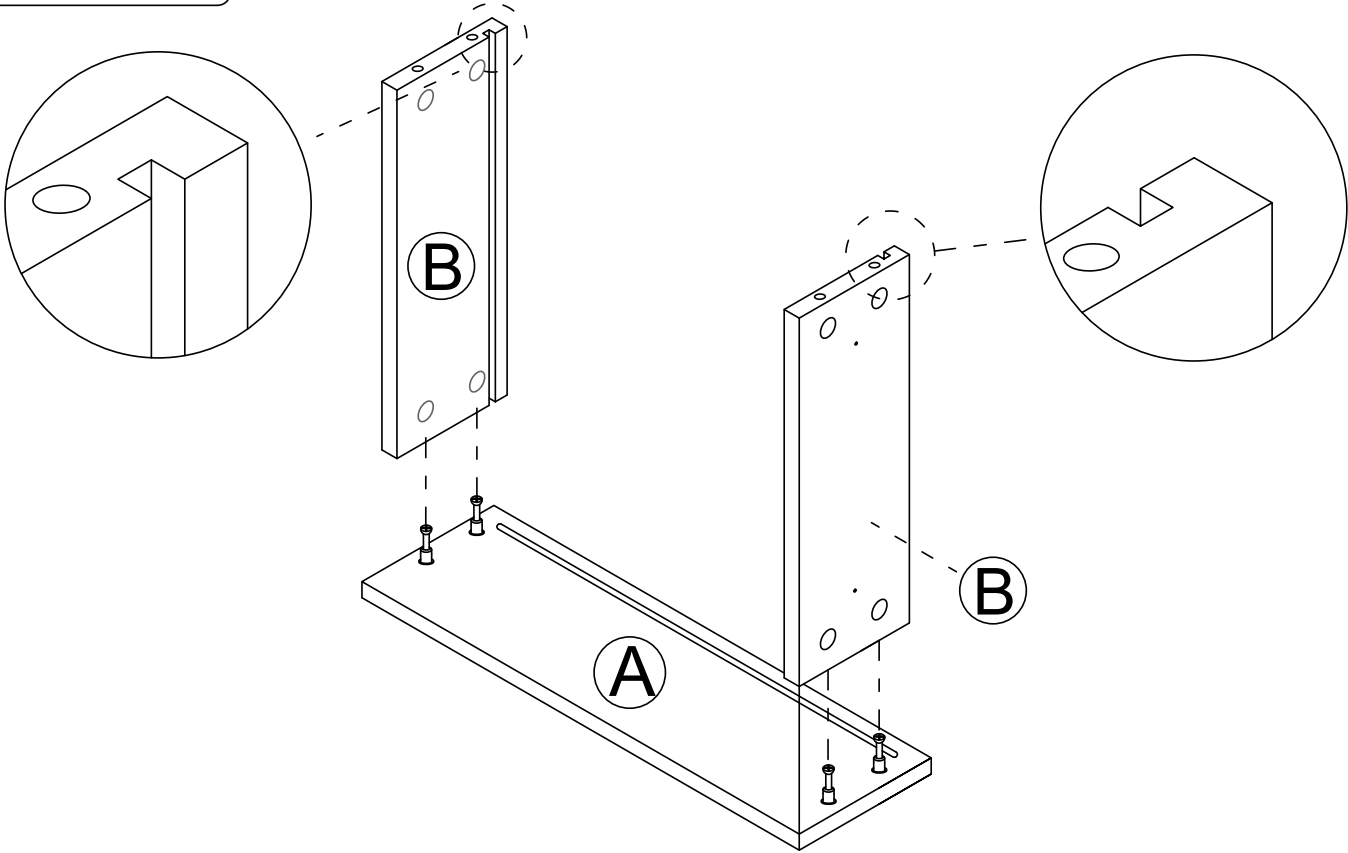


Disassemble along the direction of "-" sign

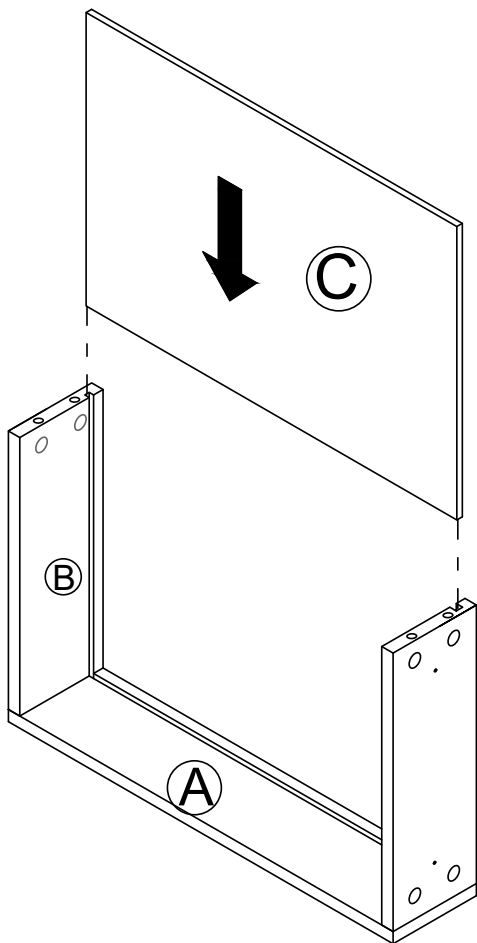
Step 1



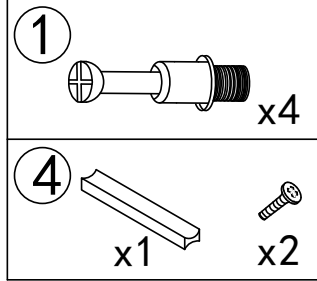
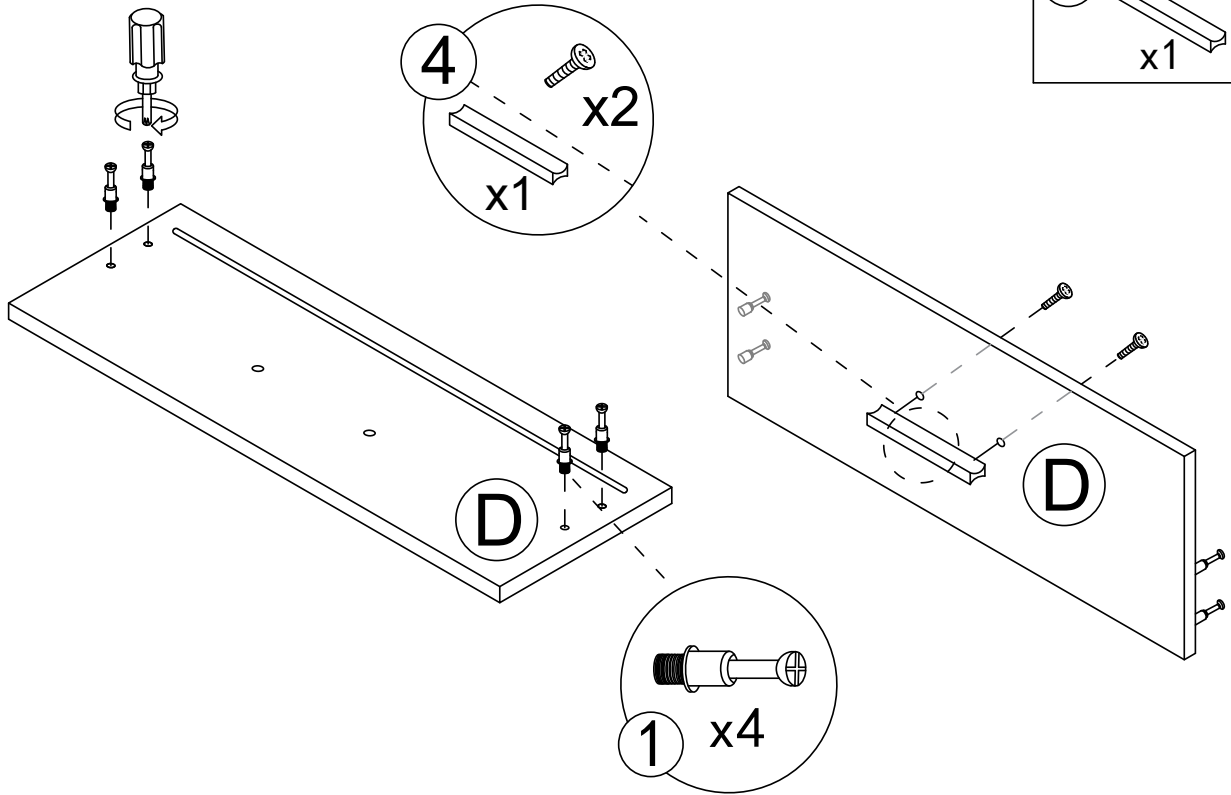
Step 2



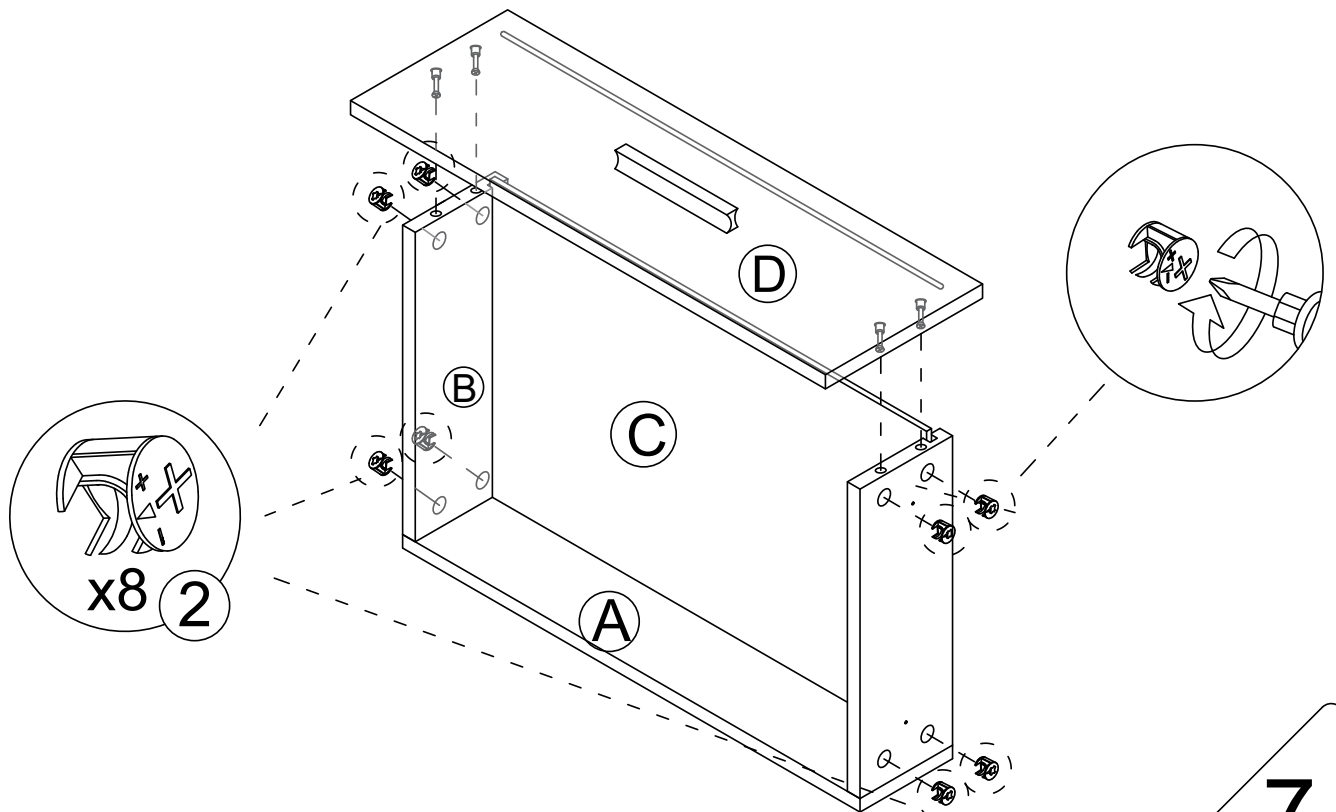
Step 3



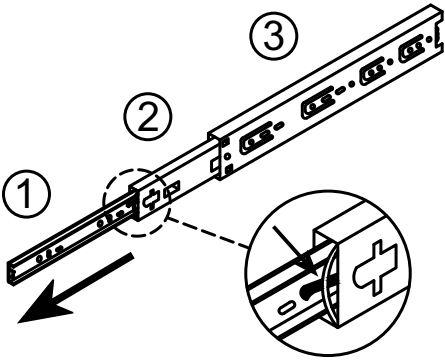
Step 4



Step 5

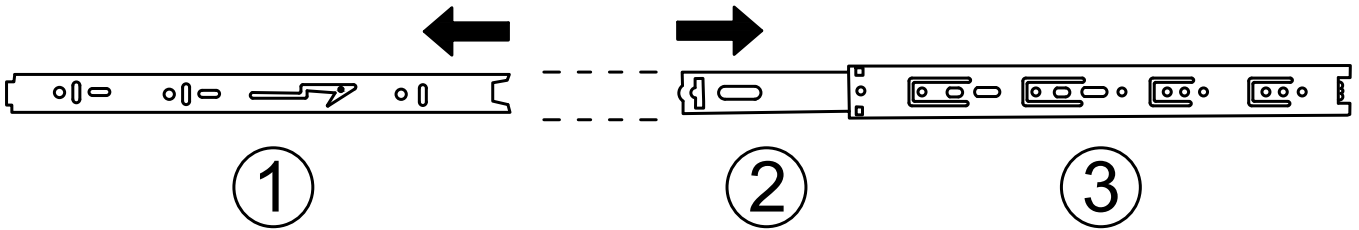
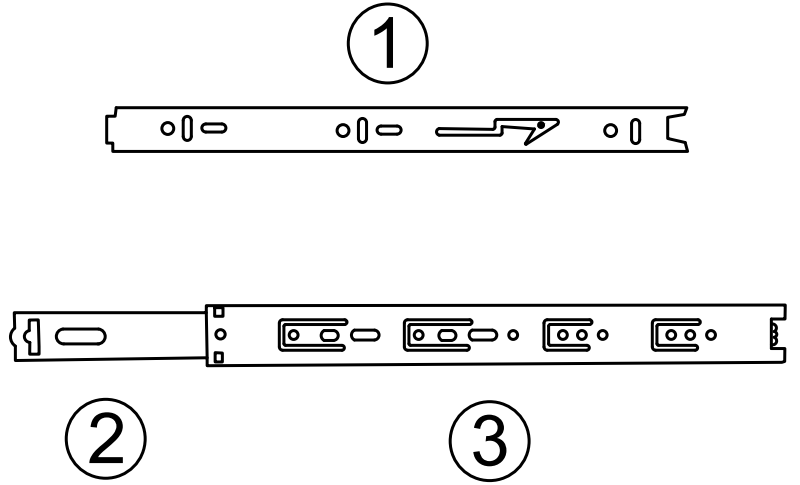


Drawer rail breakdown diagram

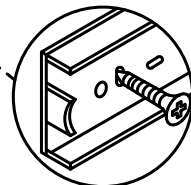
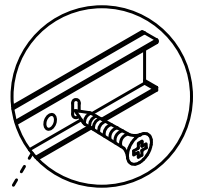
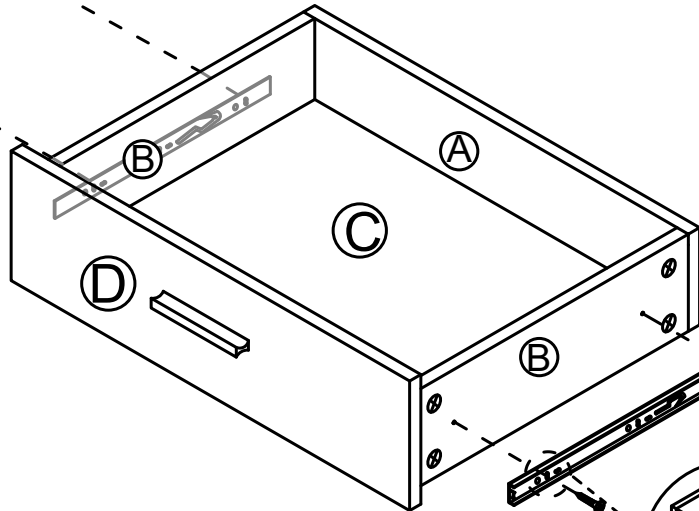
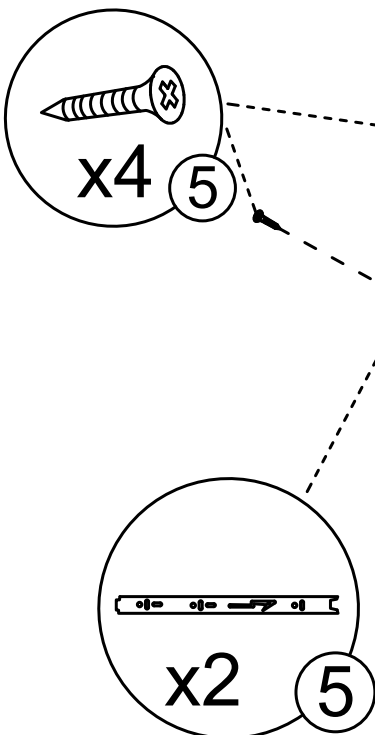
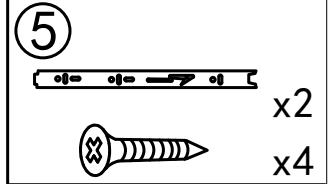
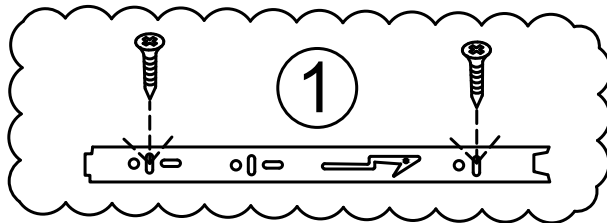


Step 1 : Pull the rails apart

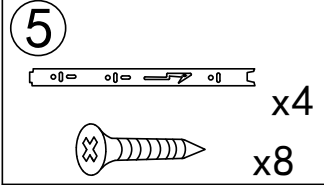
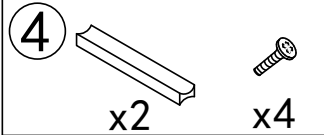
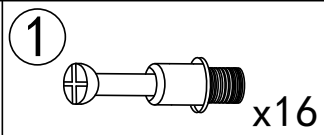
Step 2 : Push the nylon buckle outward ①



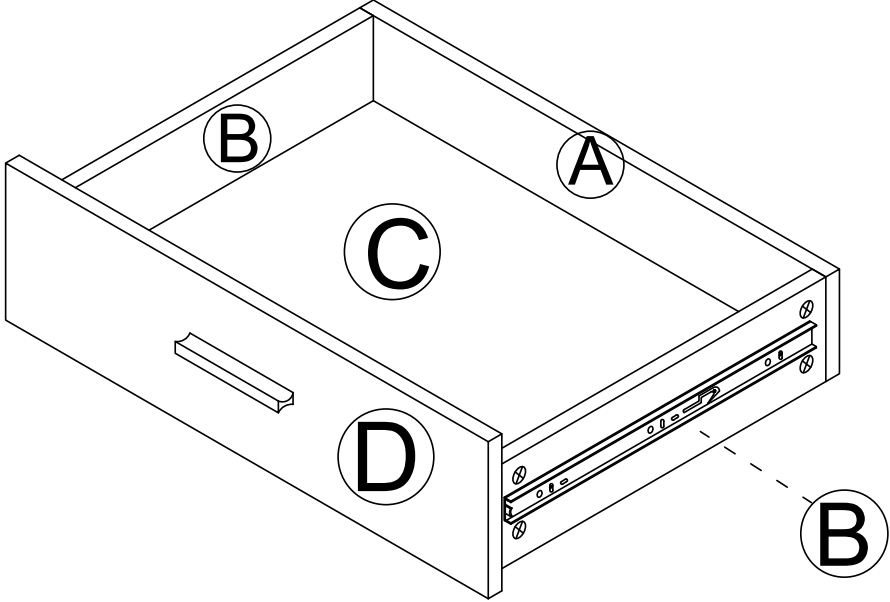
Step 6



Step 7

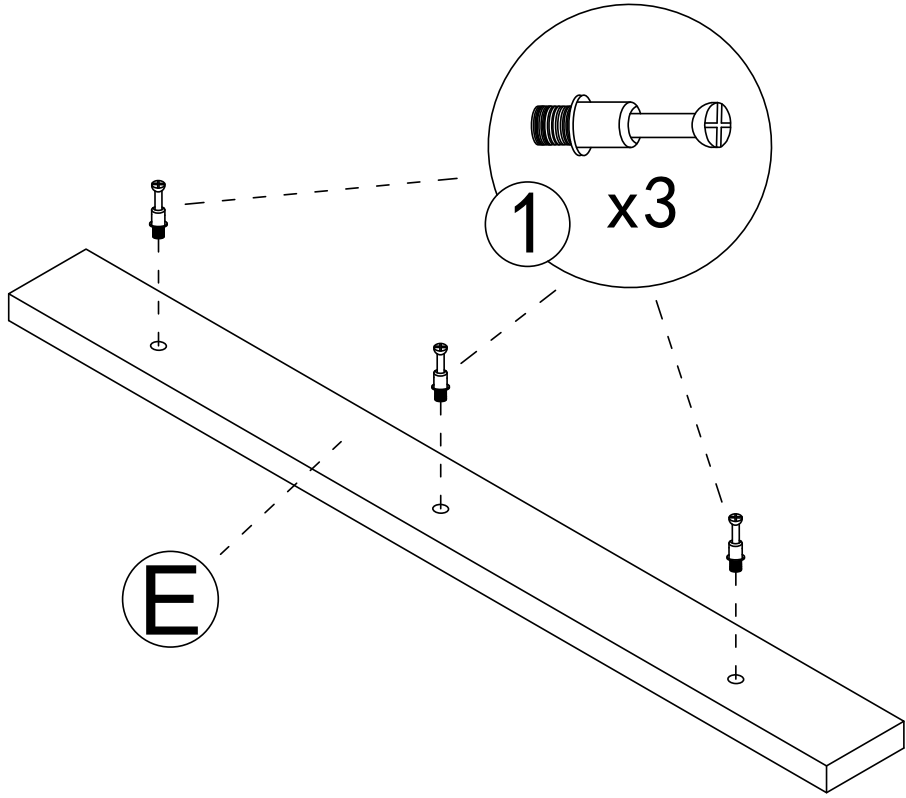
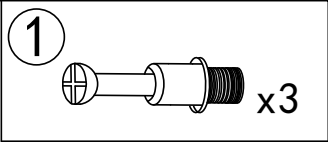


x2

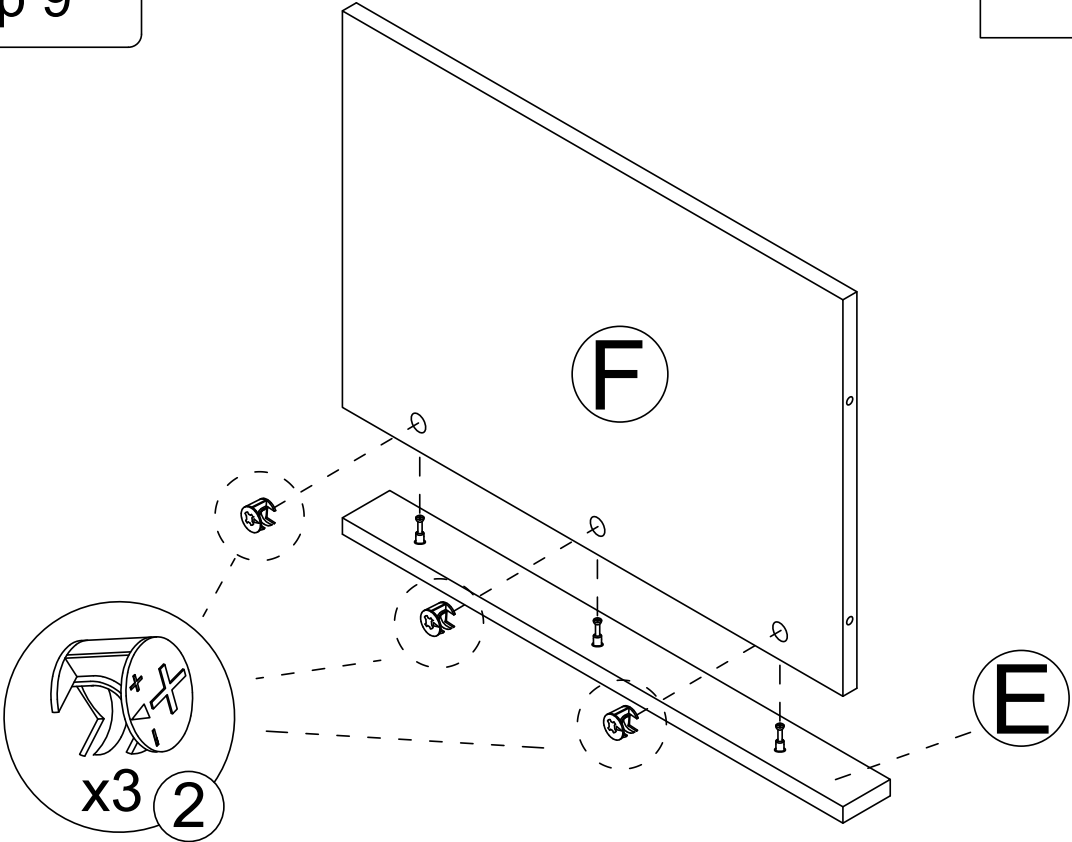


Repeat the drawer installation steps

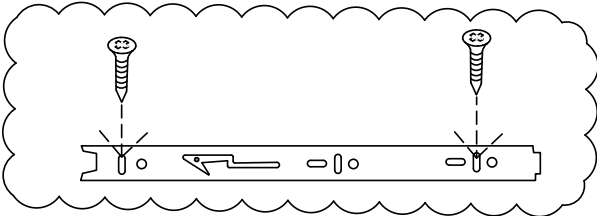
Step 8



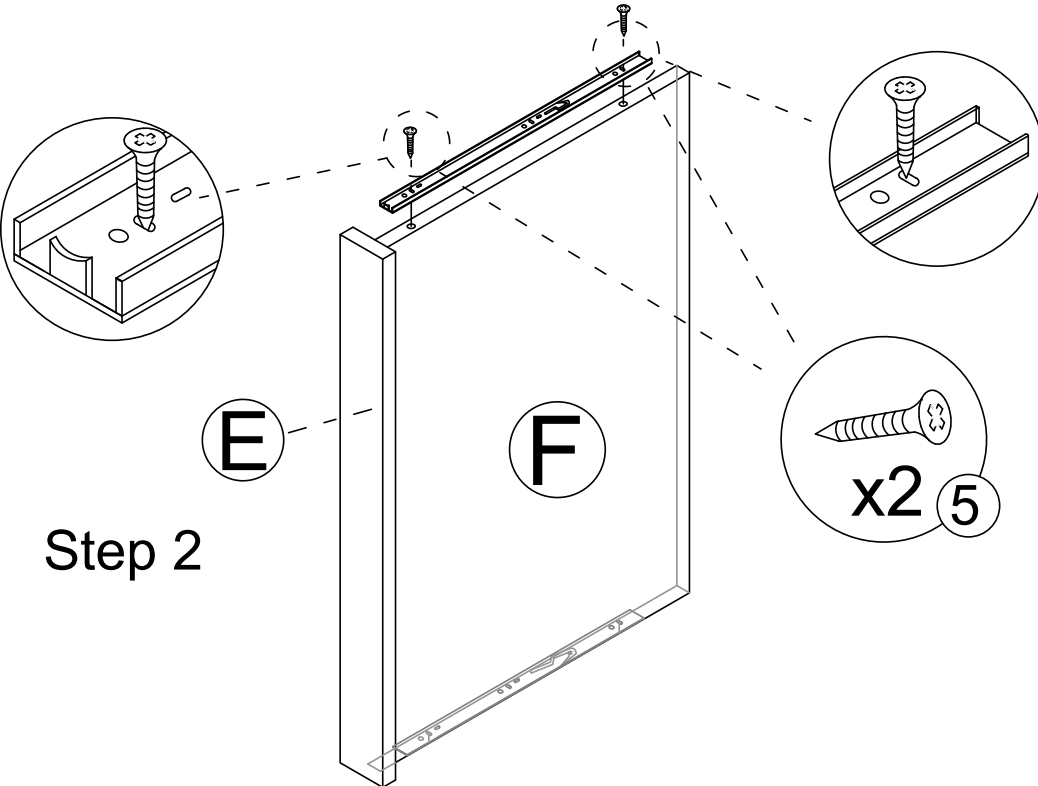
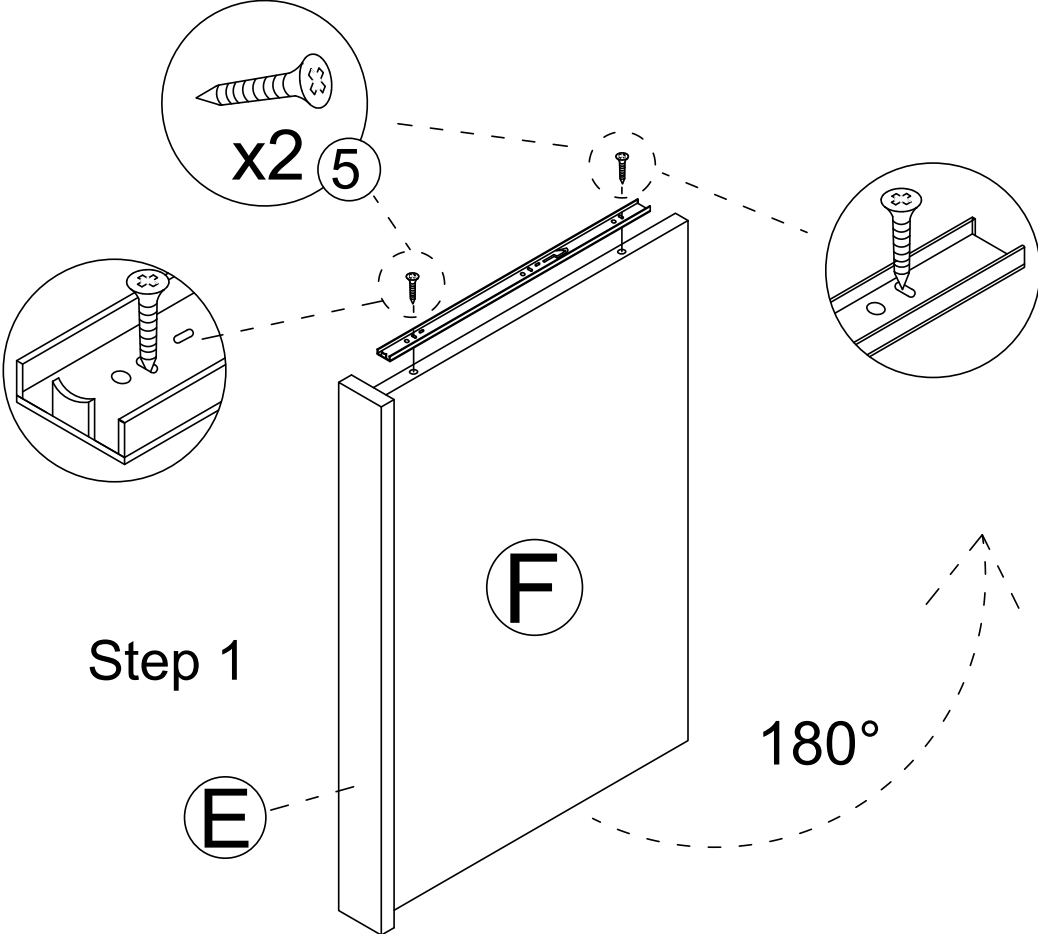
Step 9

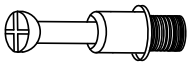

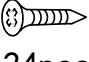


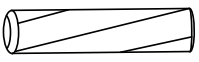
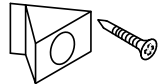
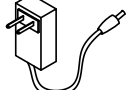


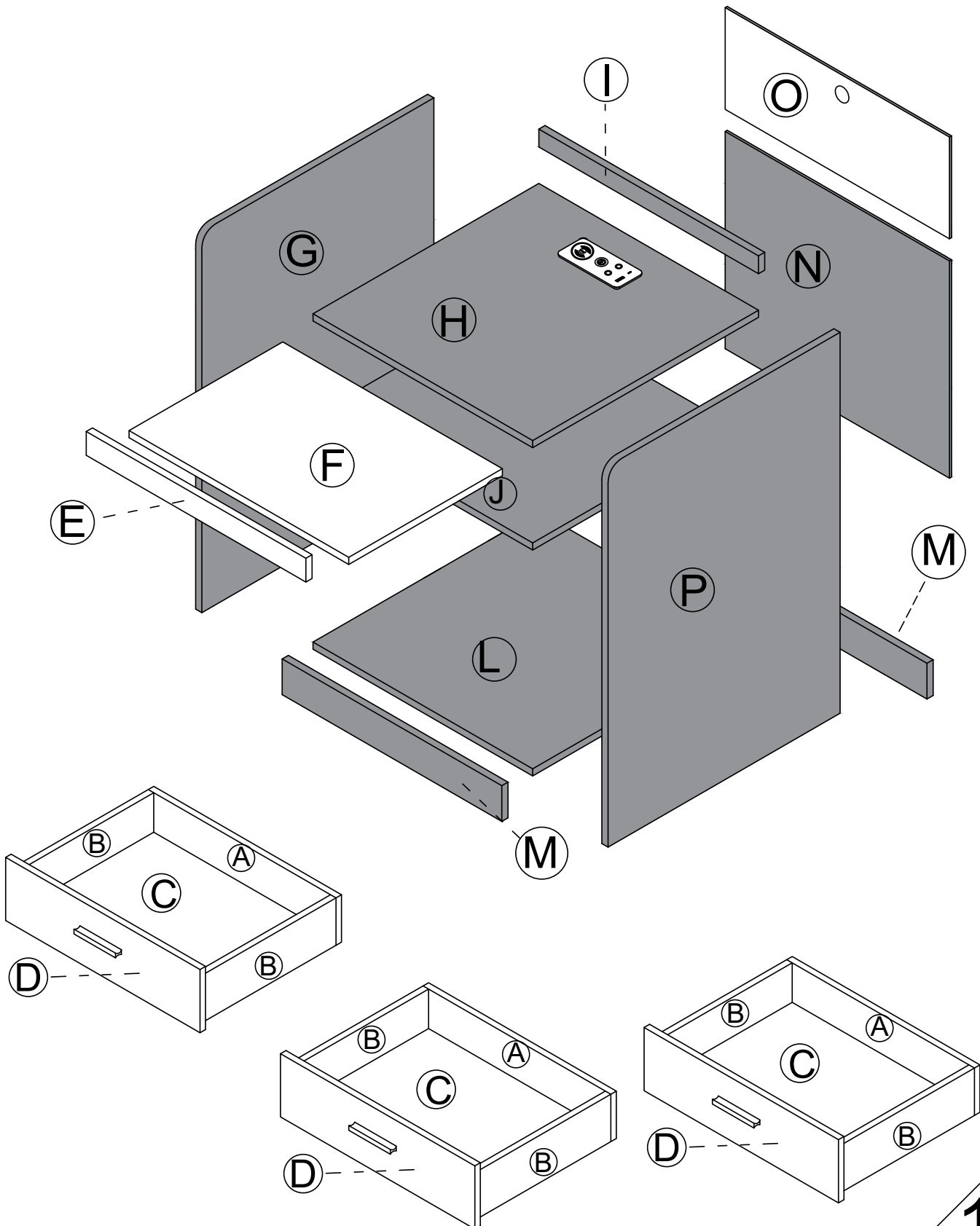
Step 10



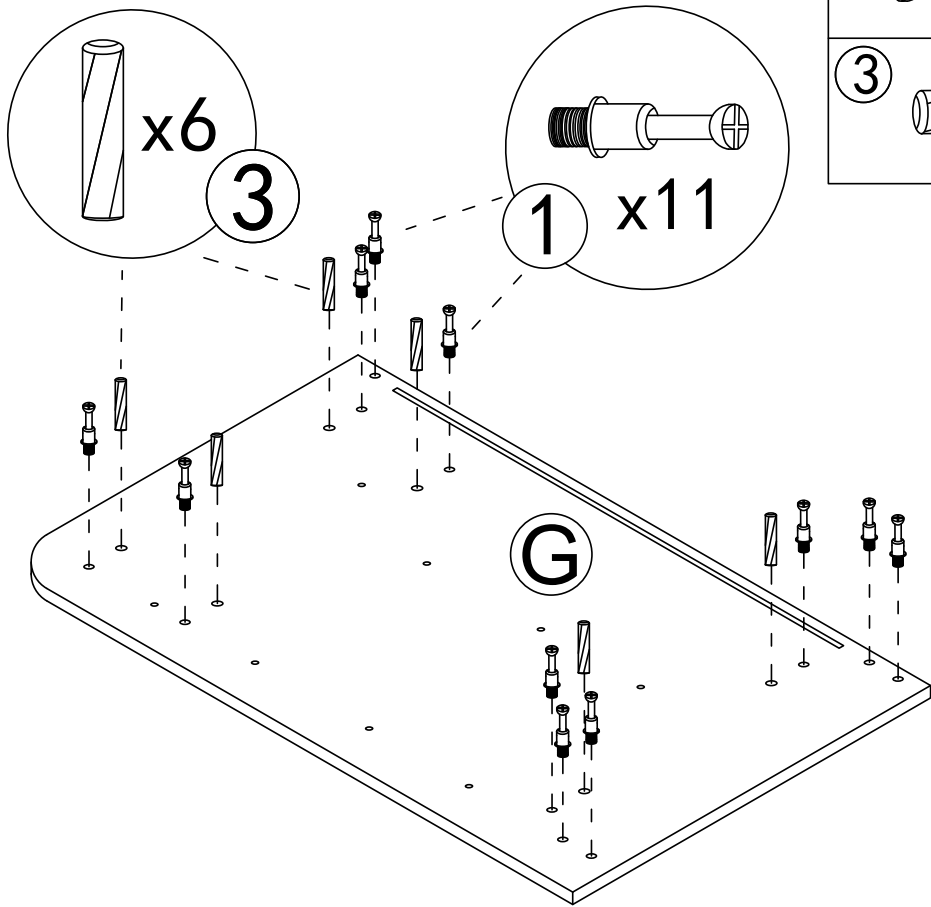
5		x4
		x2

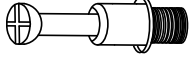



①		25pcs	⑤	 8pcs	 24pcs	⑥		4pcs
②		25pcs	③		12pcs	⑦		4pcs
		1pcs						

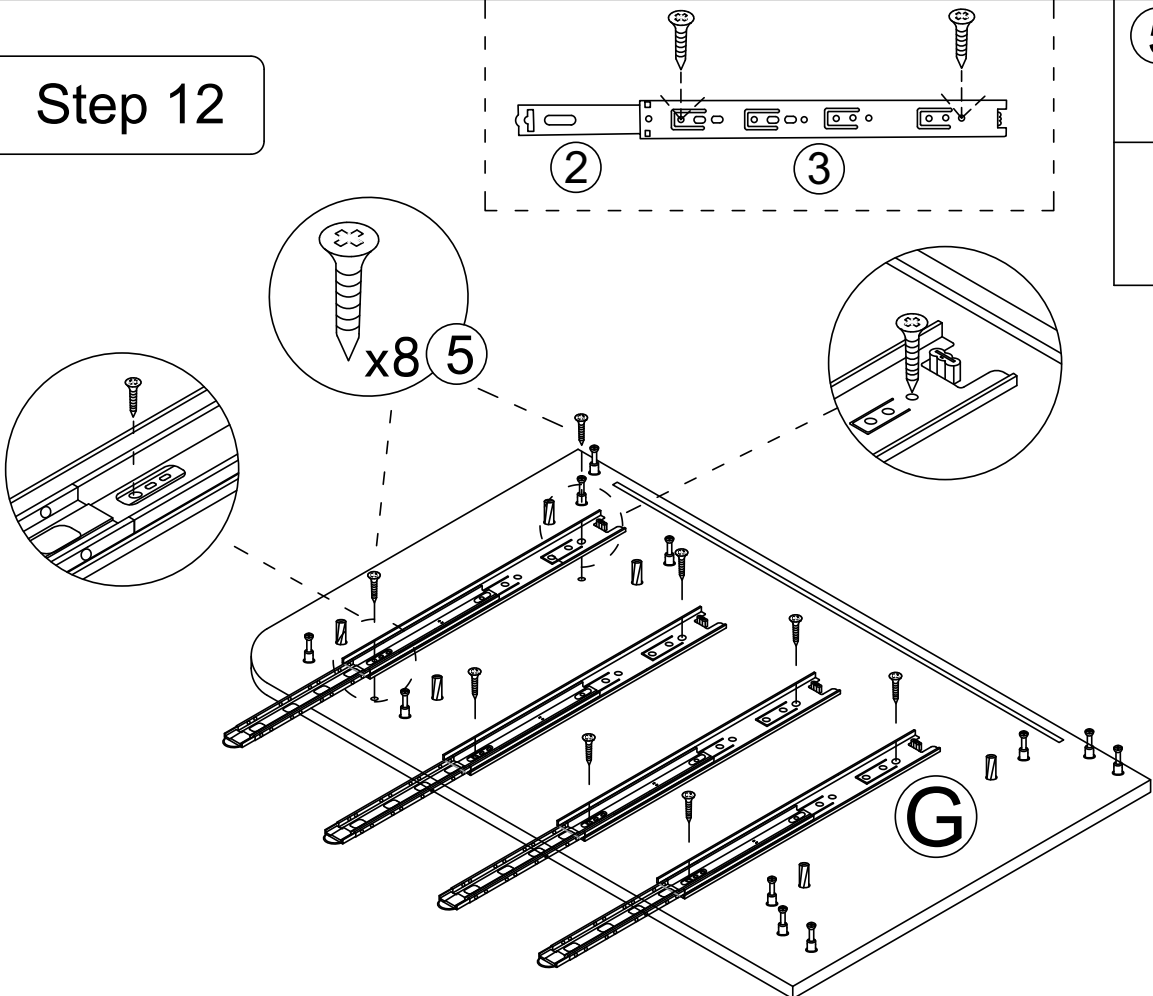


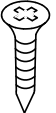
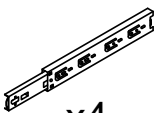
Step 11



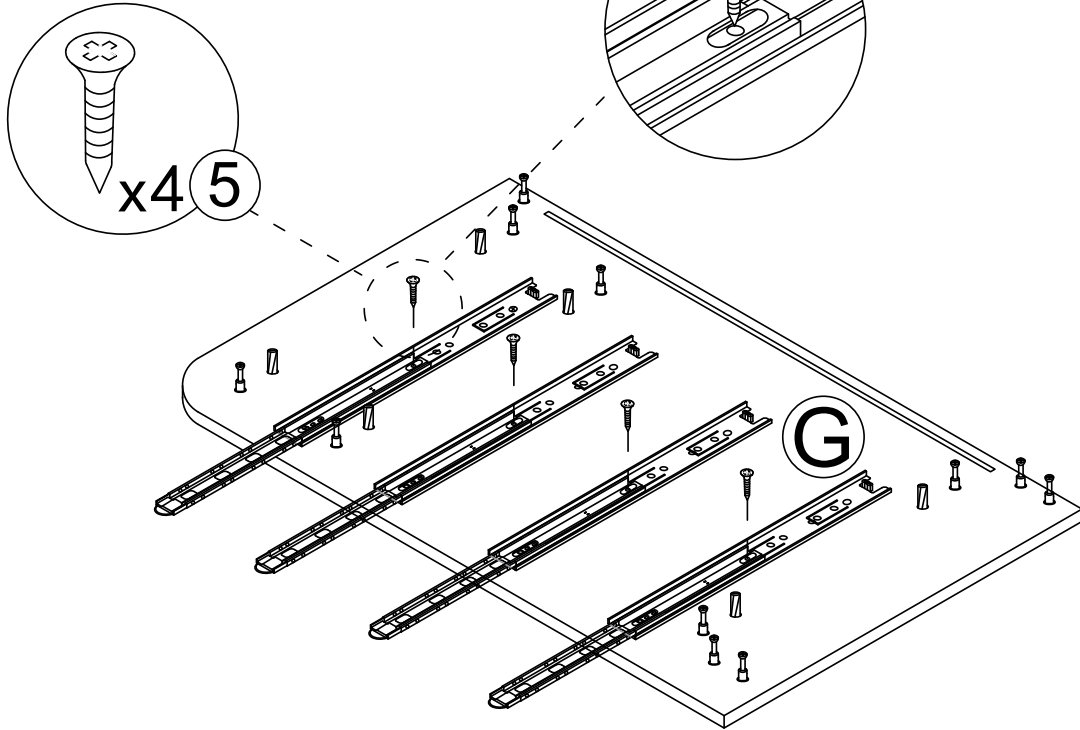
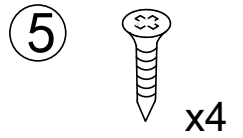
1		x11
3		x6

Step 12



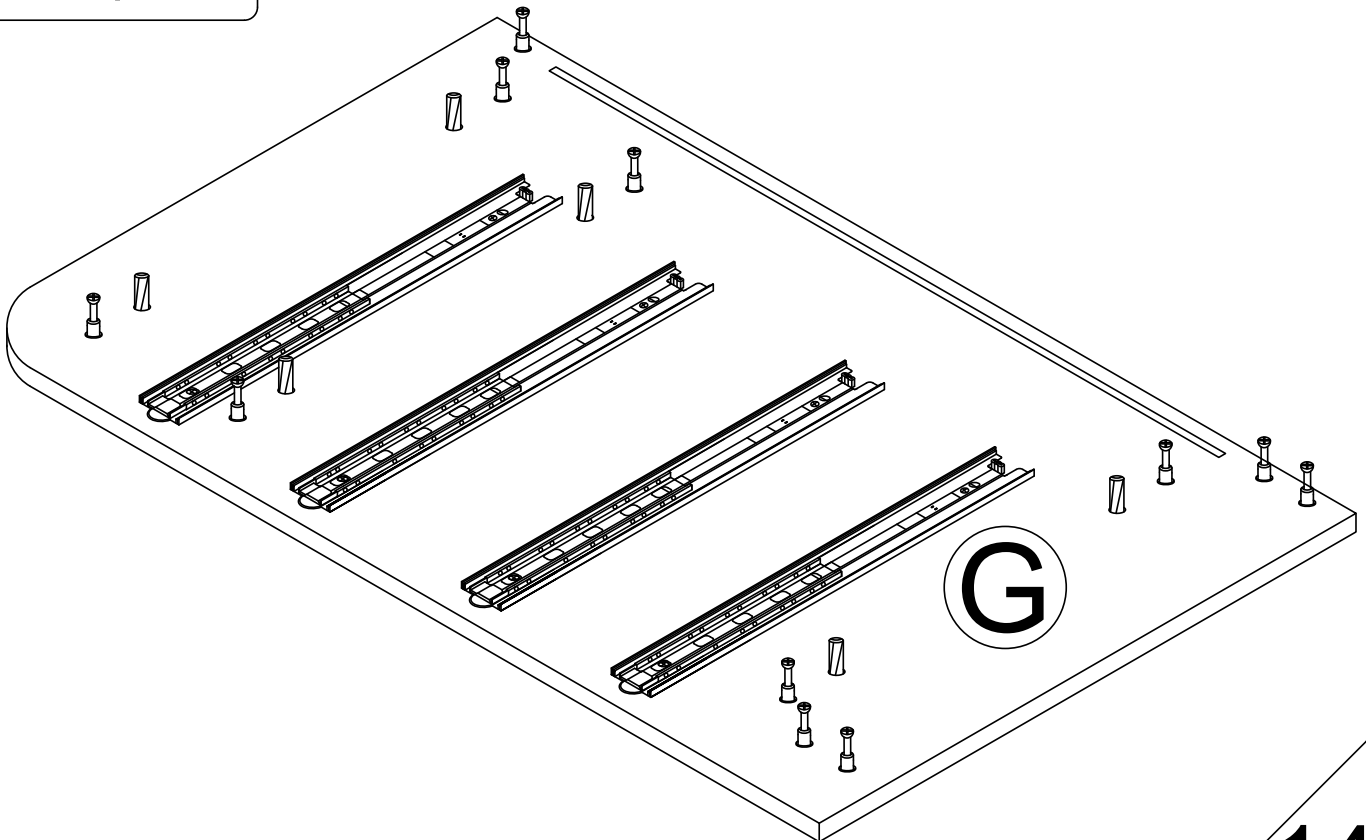
5		x8
		x4

Step 13

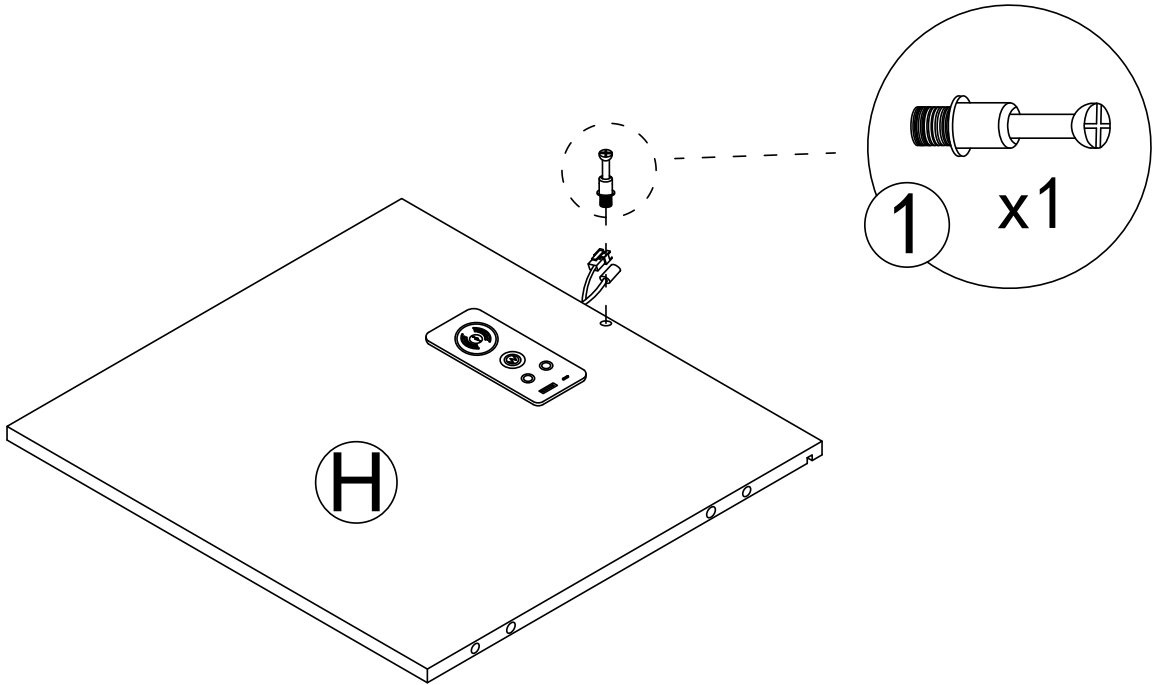
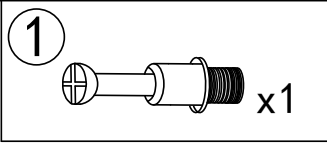


This hole is for strengthening fixed hole customers can choose to install according to their needs.

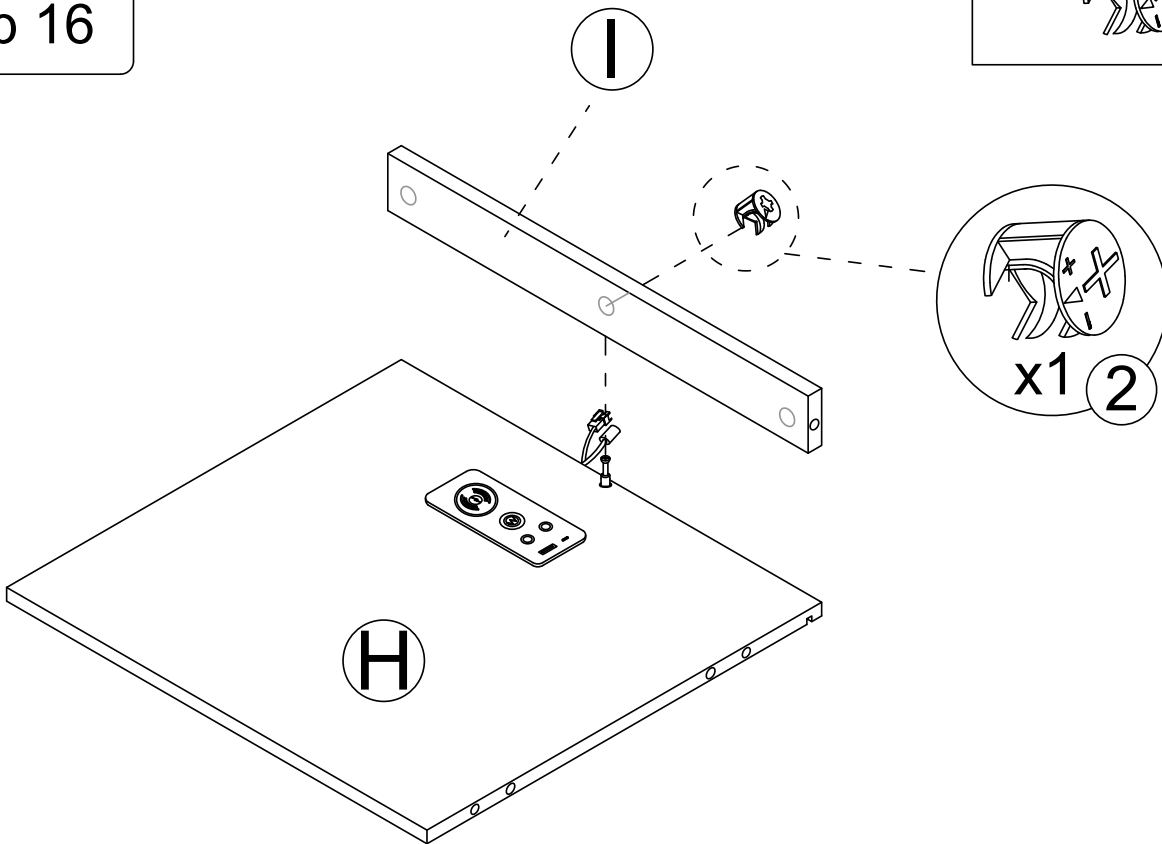
Step 14



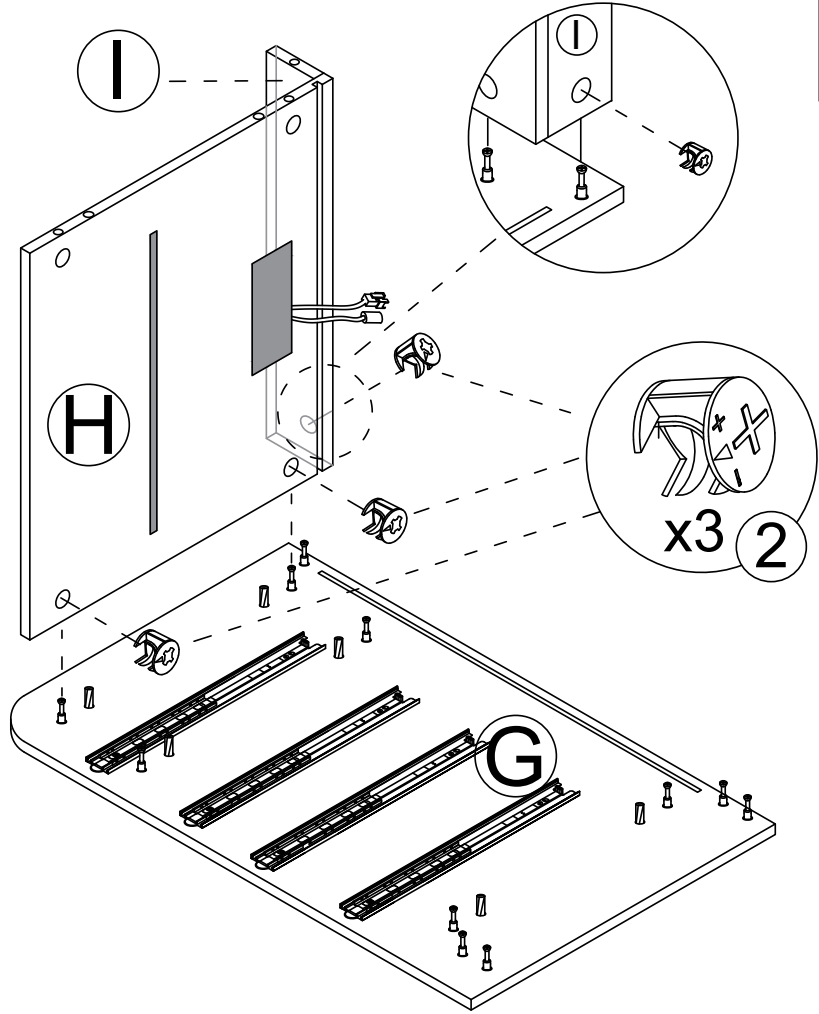
Step 15



Step 16



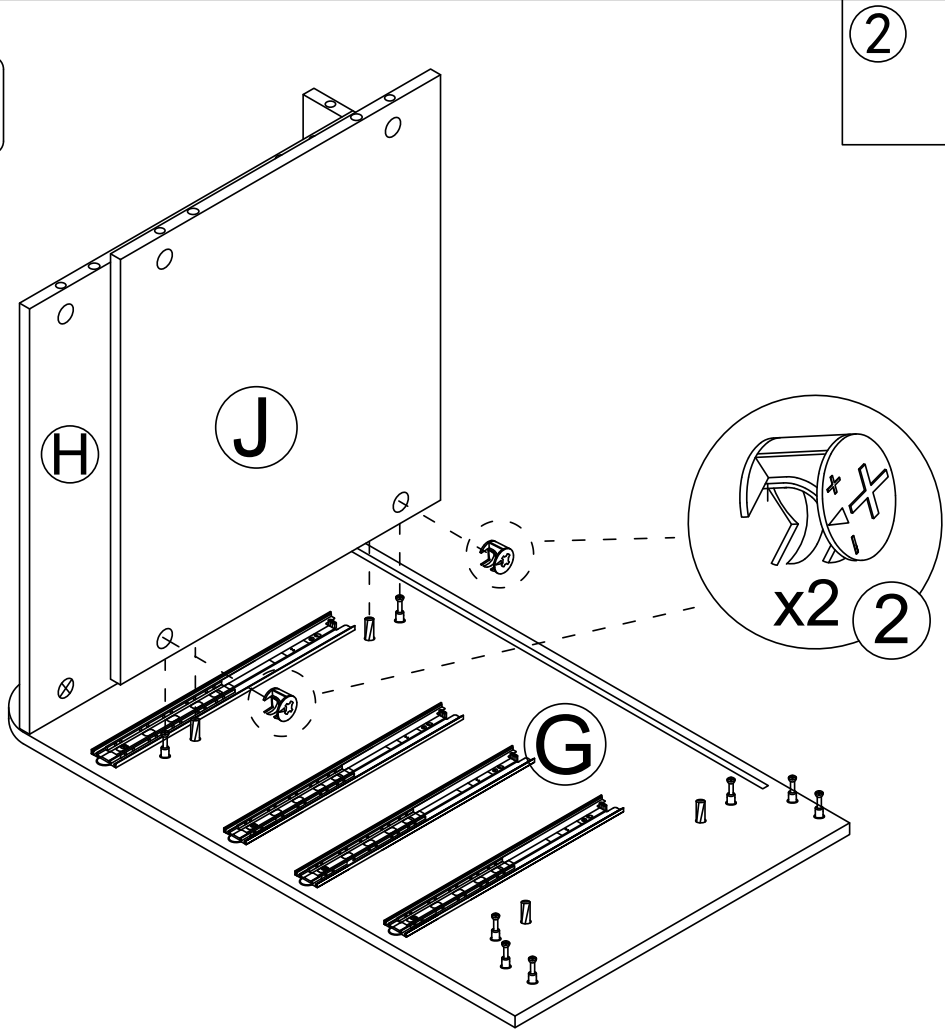
Step 17



2 x3

x3 2

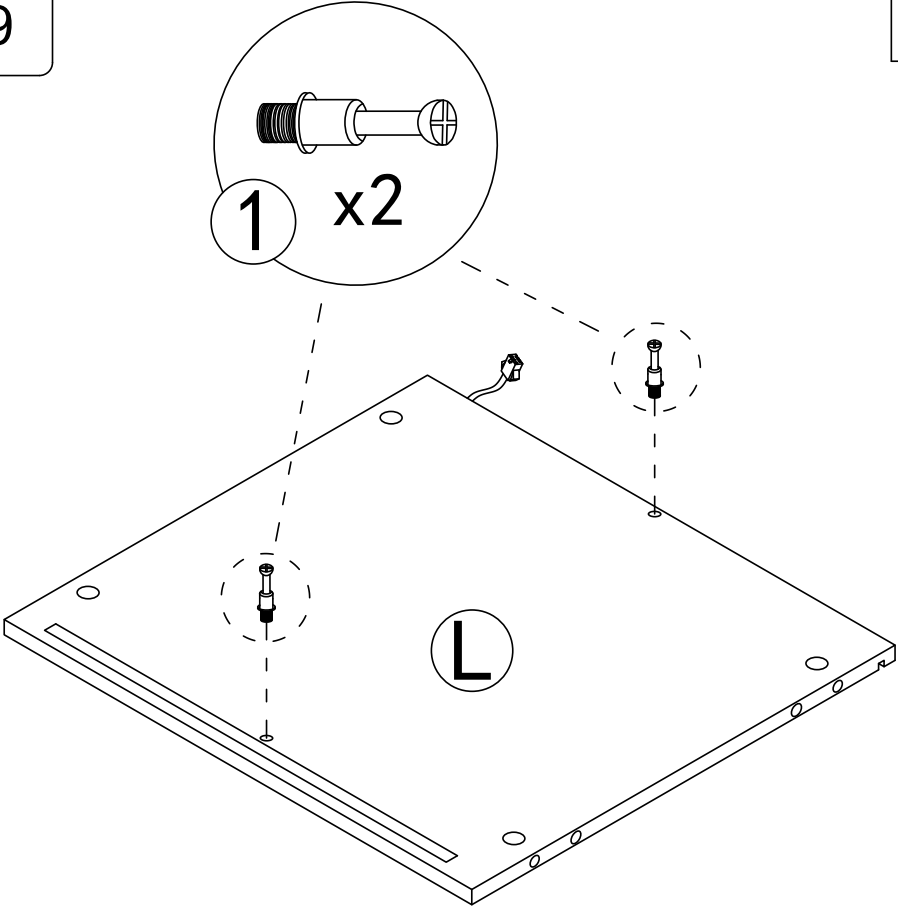
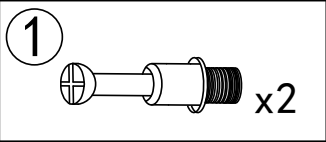
Step 18



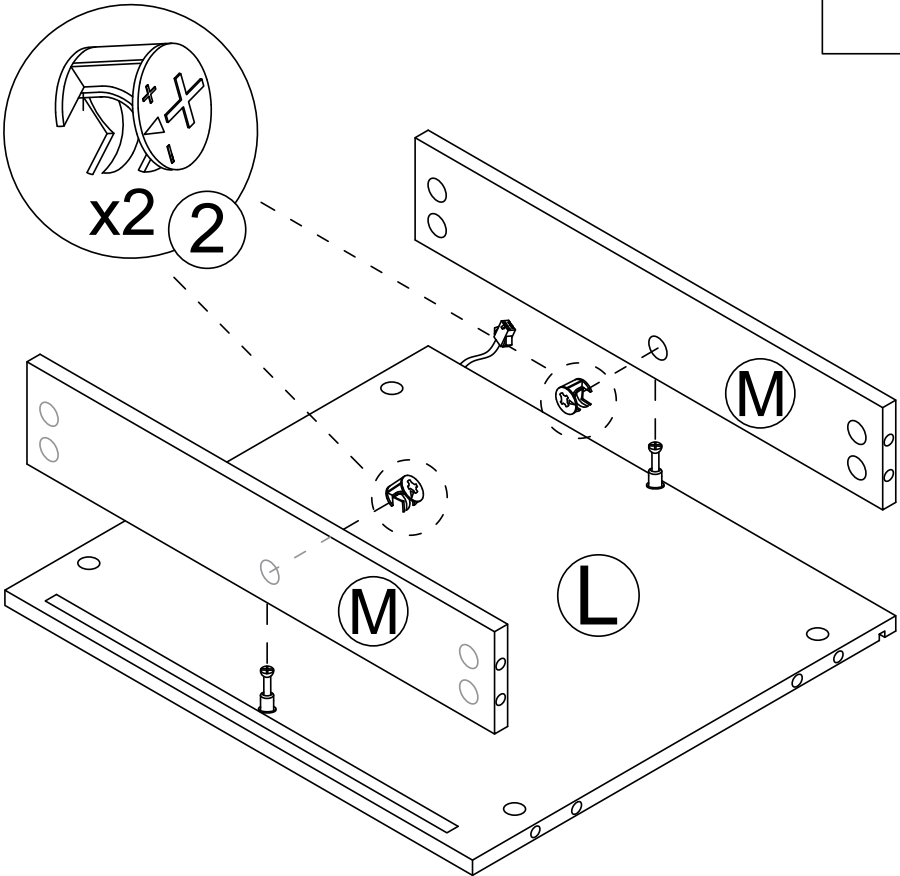
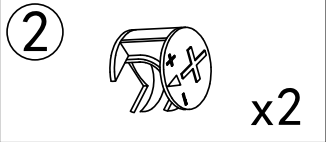
2 x2

x2 2


Step 19

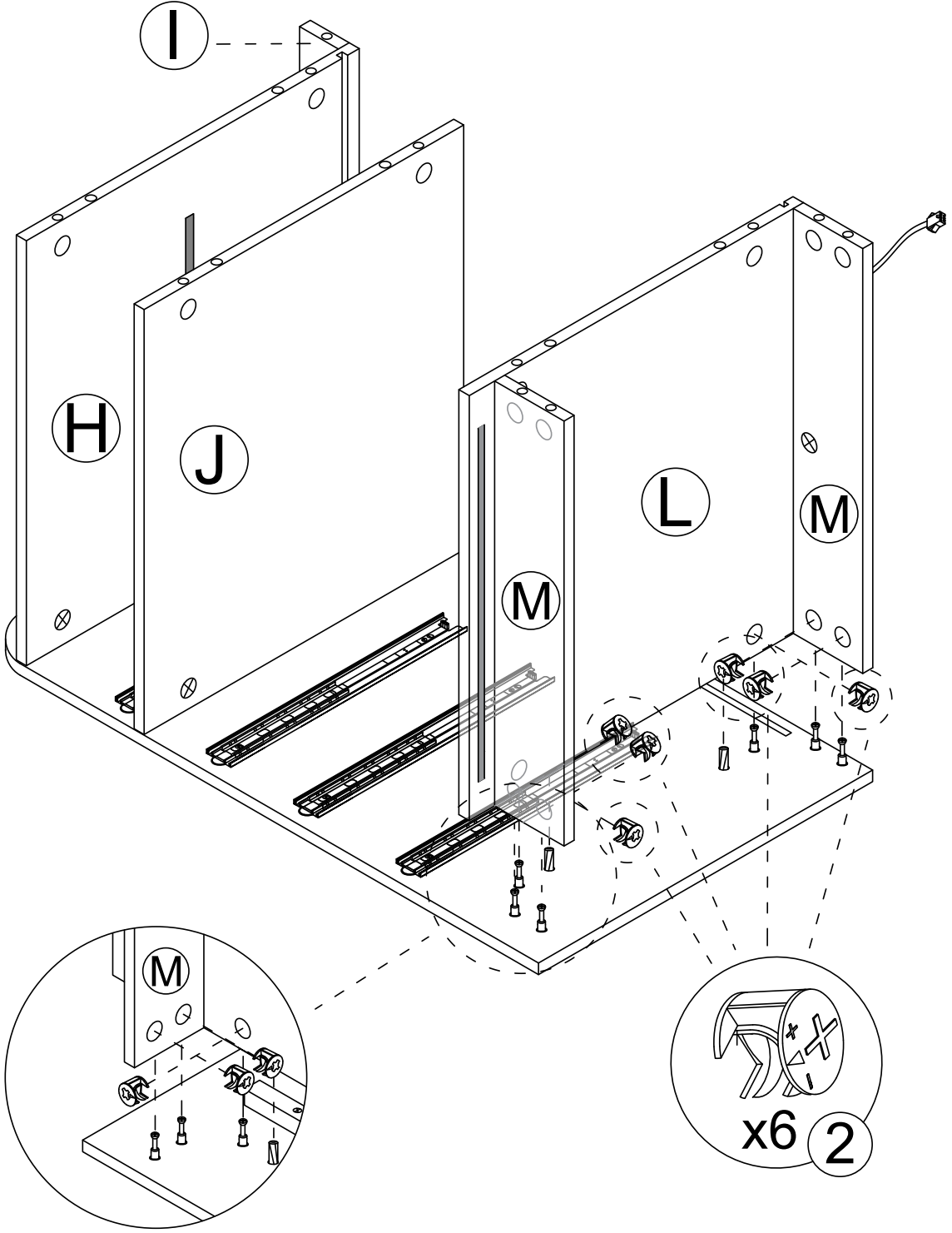


Step 20

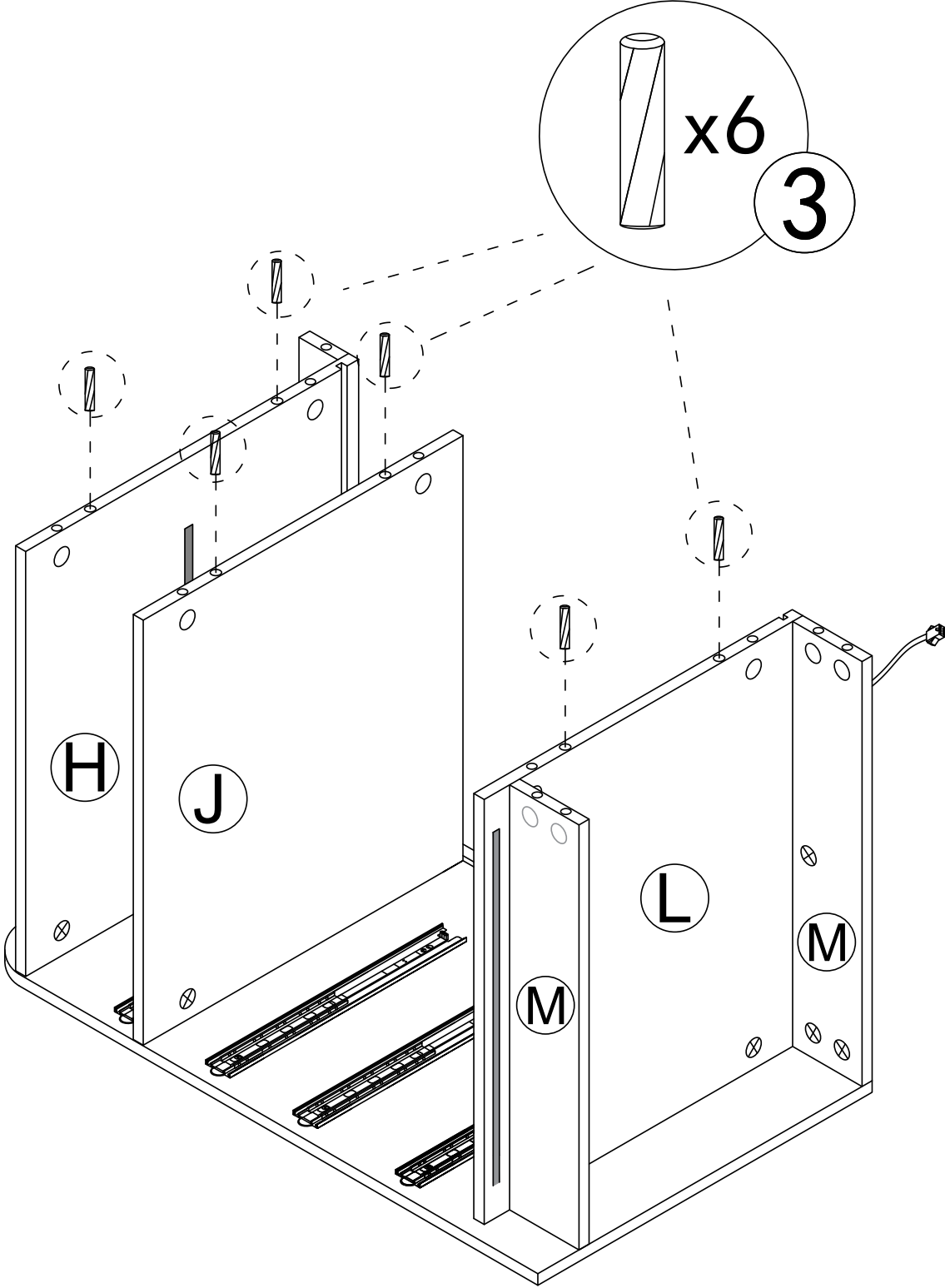
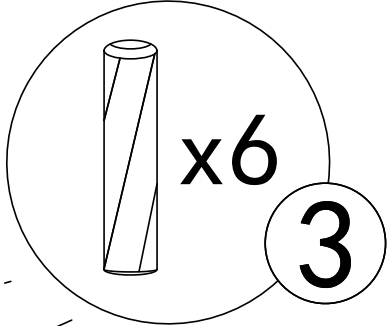
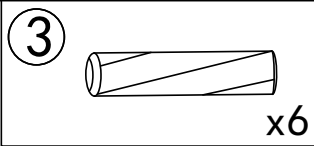


Step 21

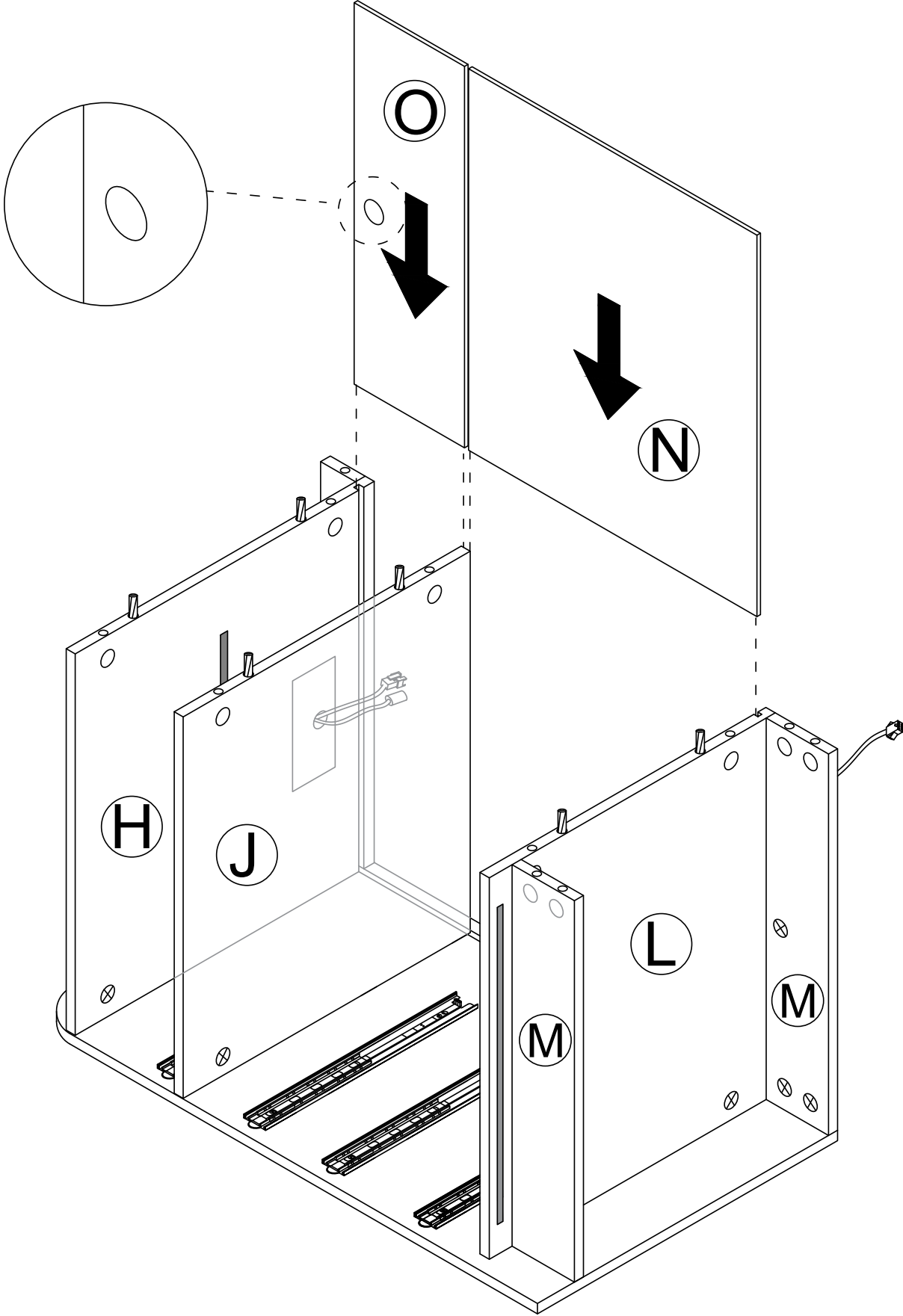
2  x6



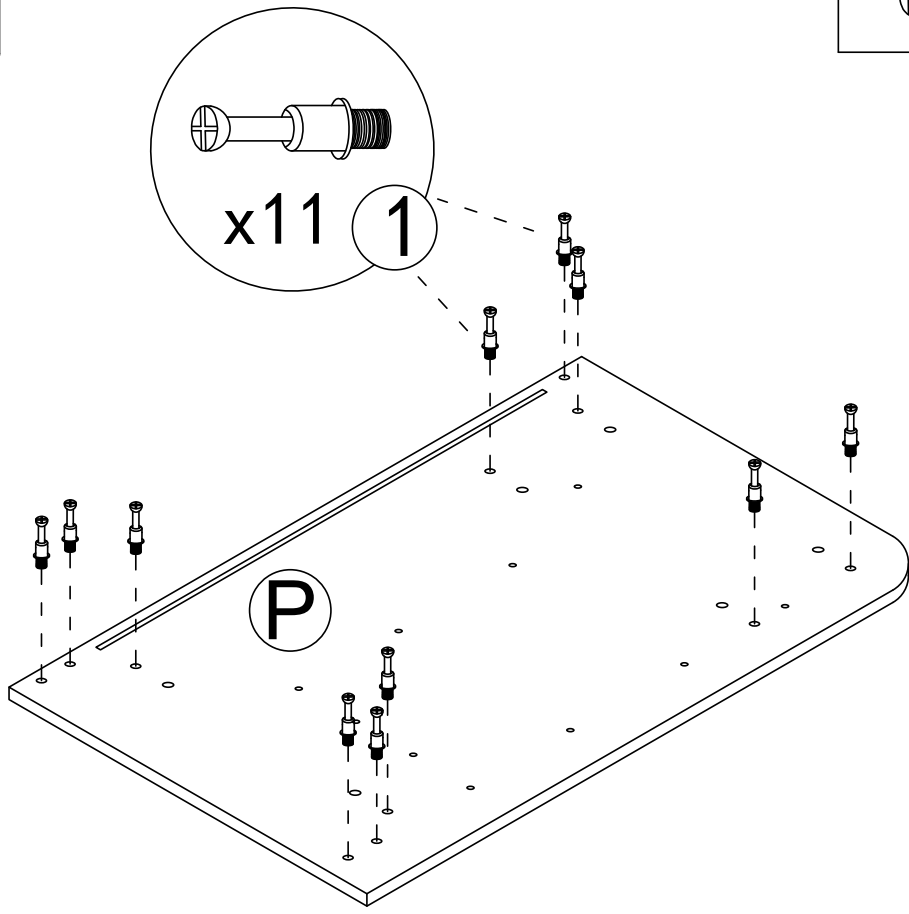
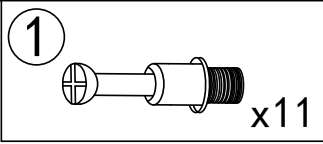
Step 22



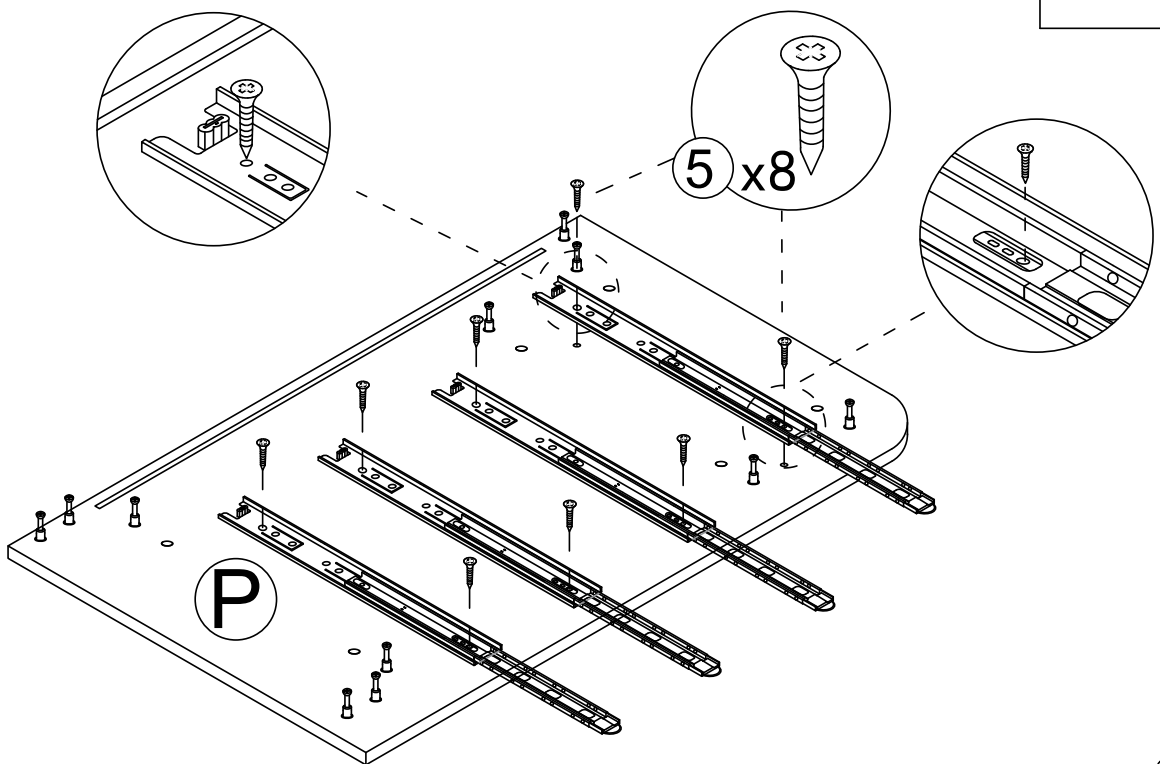
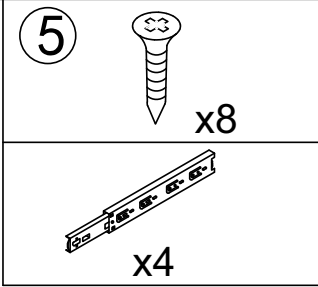
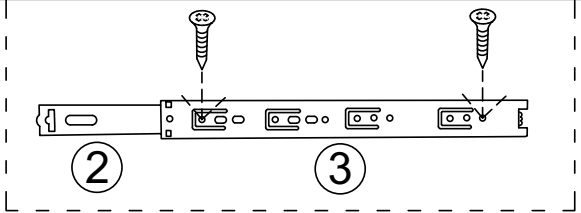
Step 23



Step 24

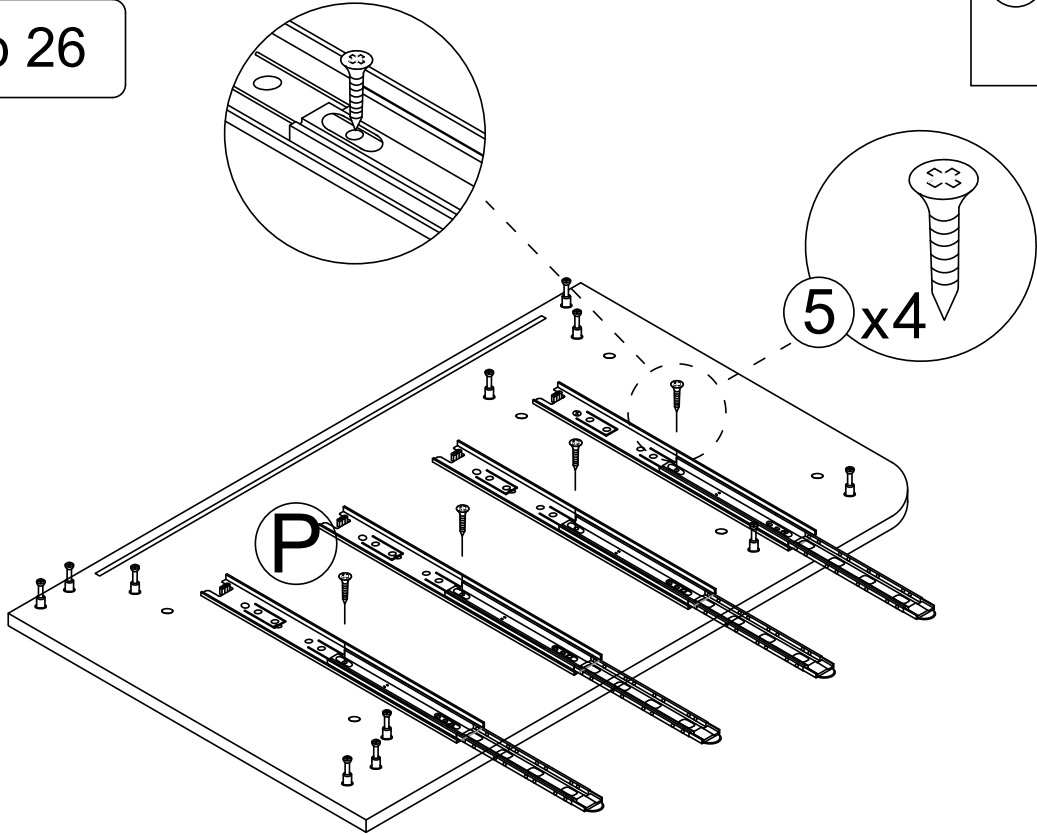
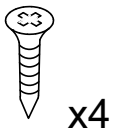


Step 25



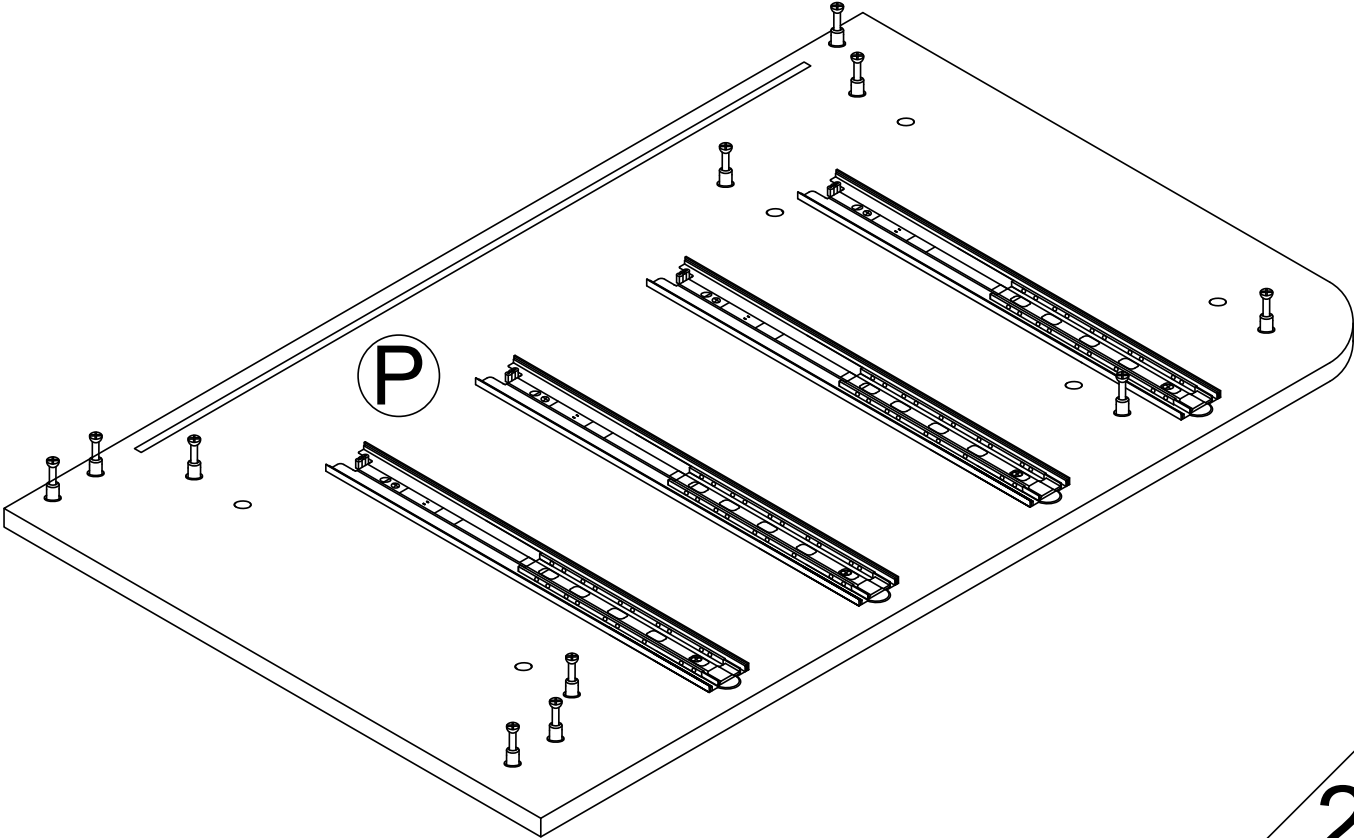
Step 26

5



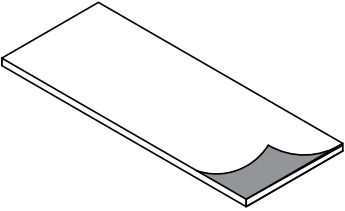
This hole is for strengthening fixed hole customers can choose to install according to their needs.

Step 27



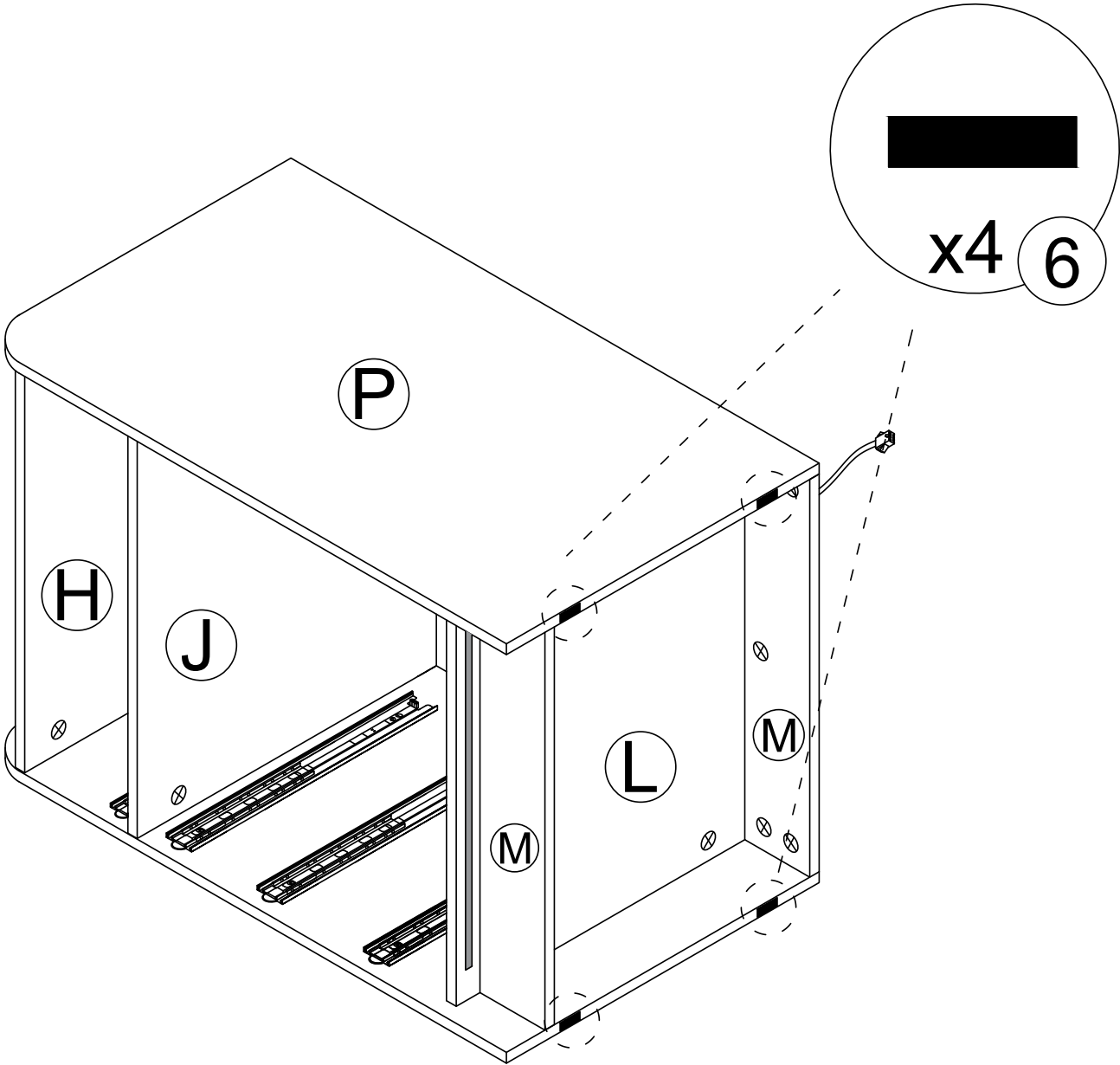
Step 28

6




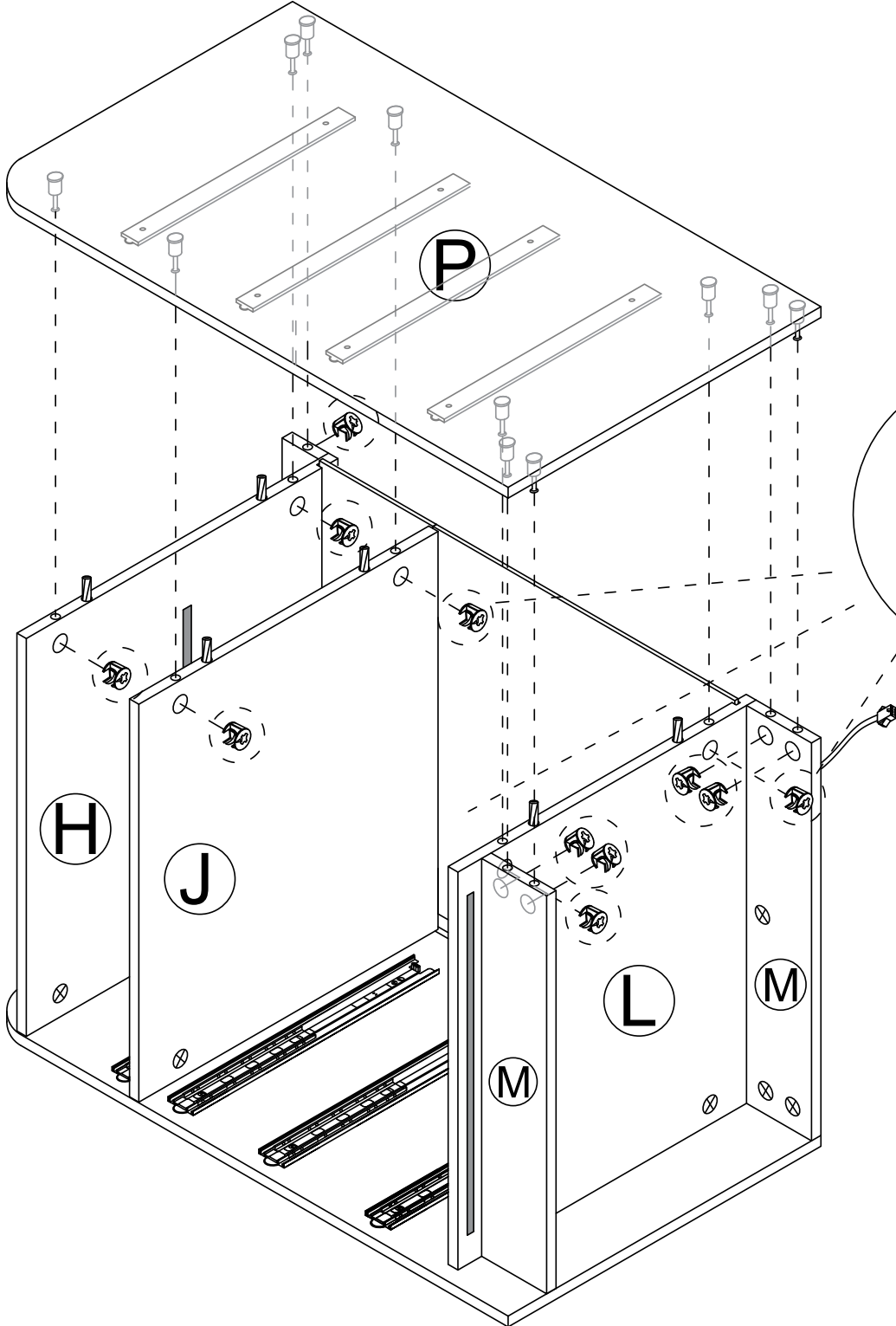
x4

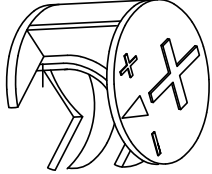
Tear off release paper and stick the black foot pad on the board



Step 29

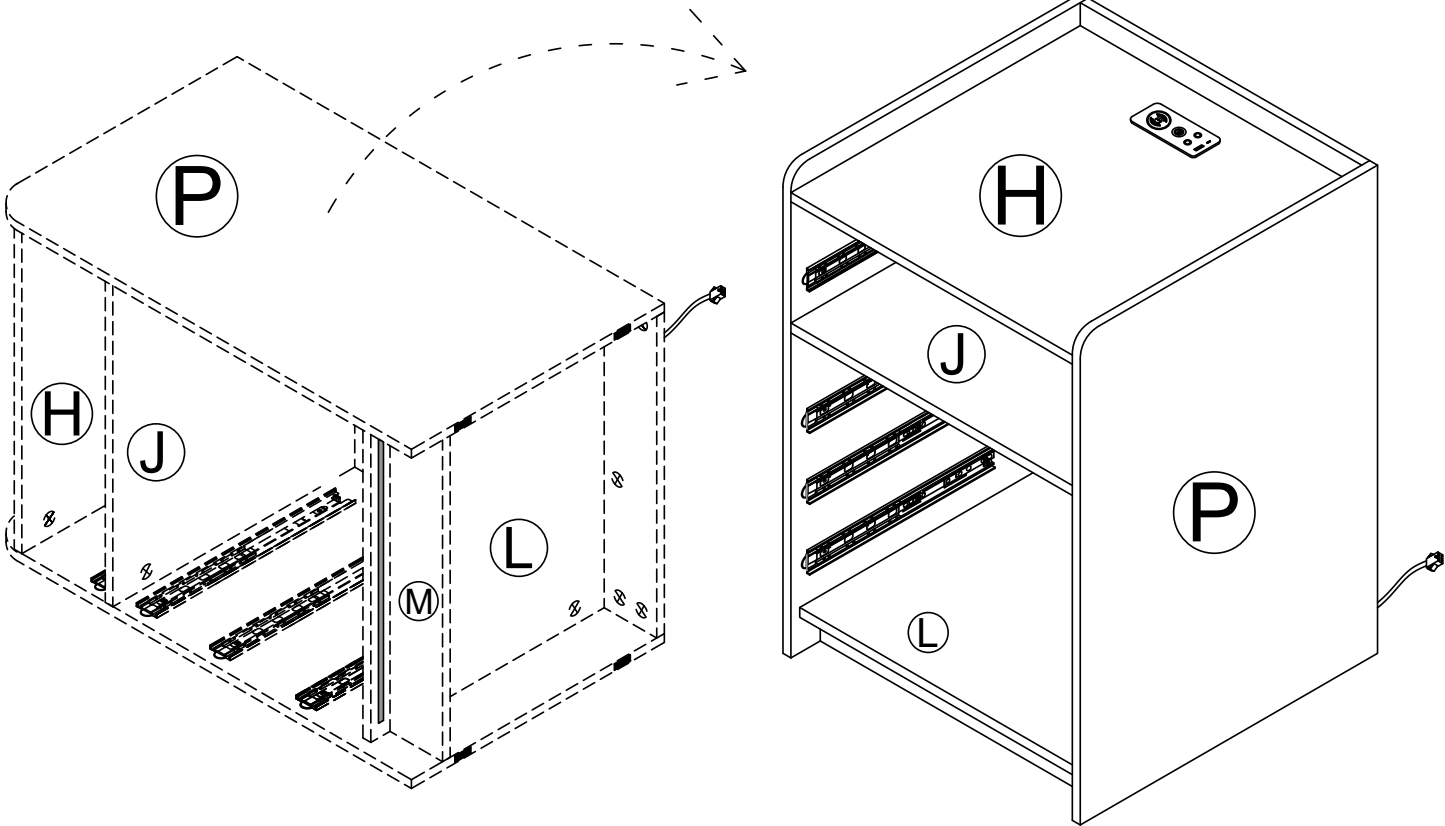
2  x11



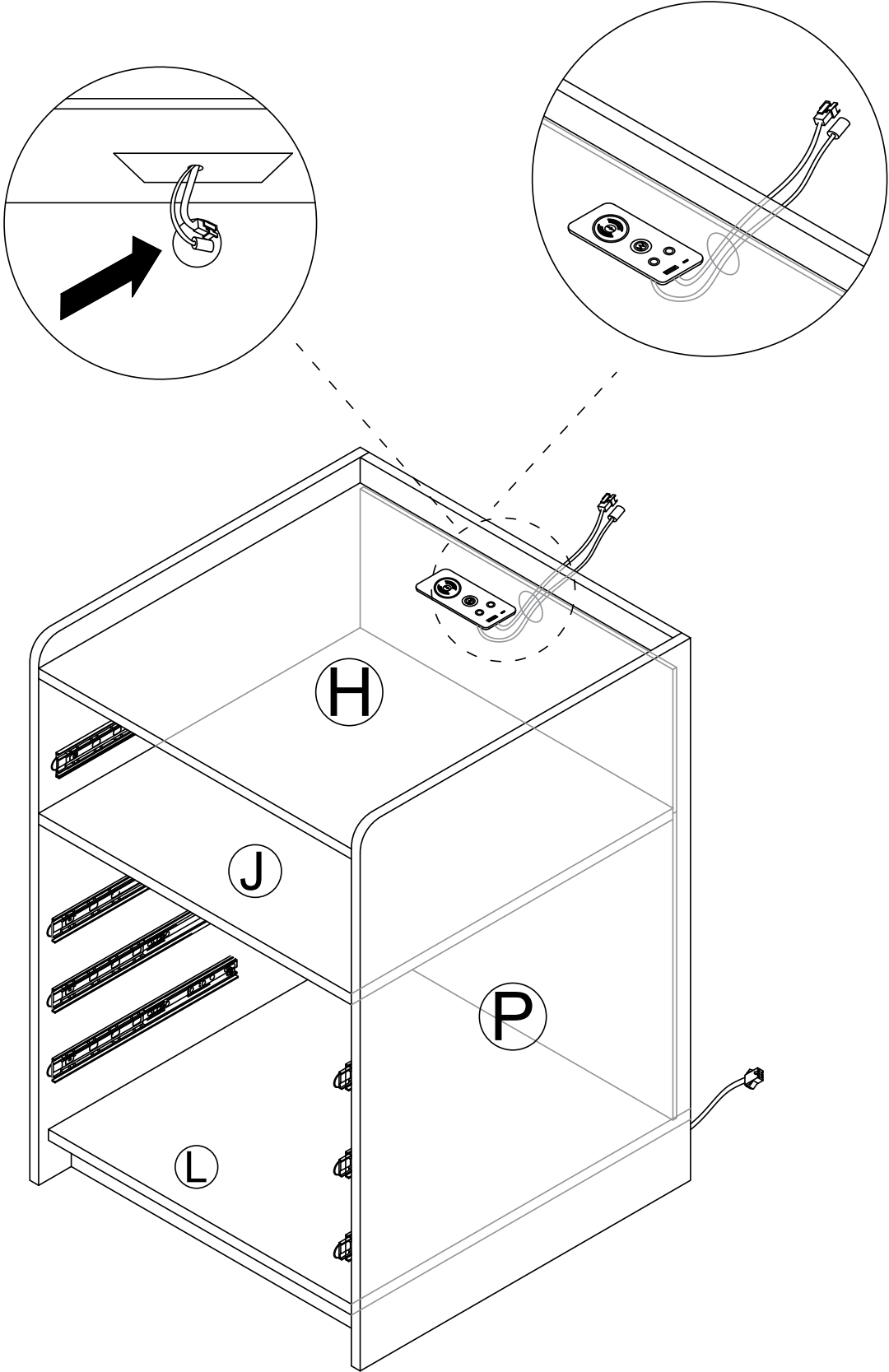

x11 2

Step 30

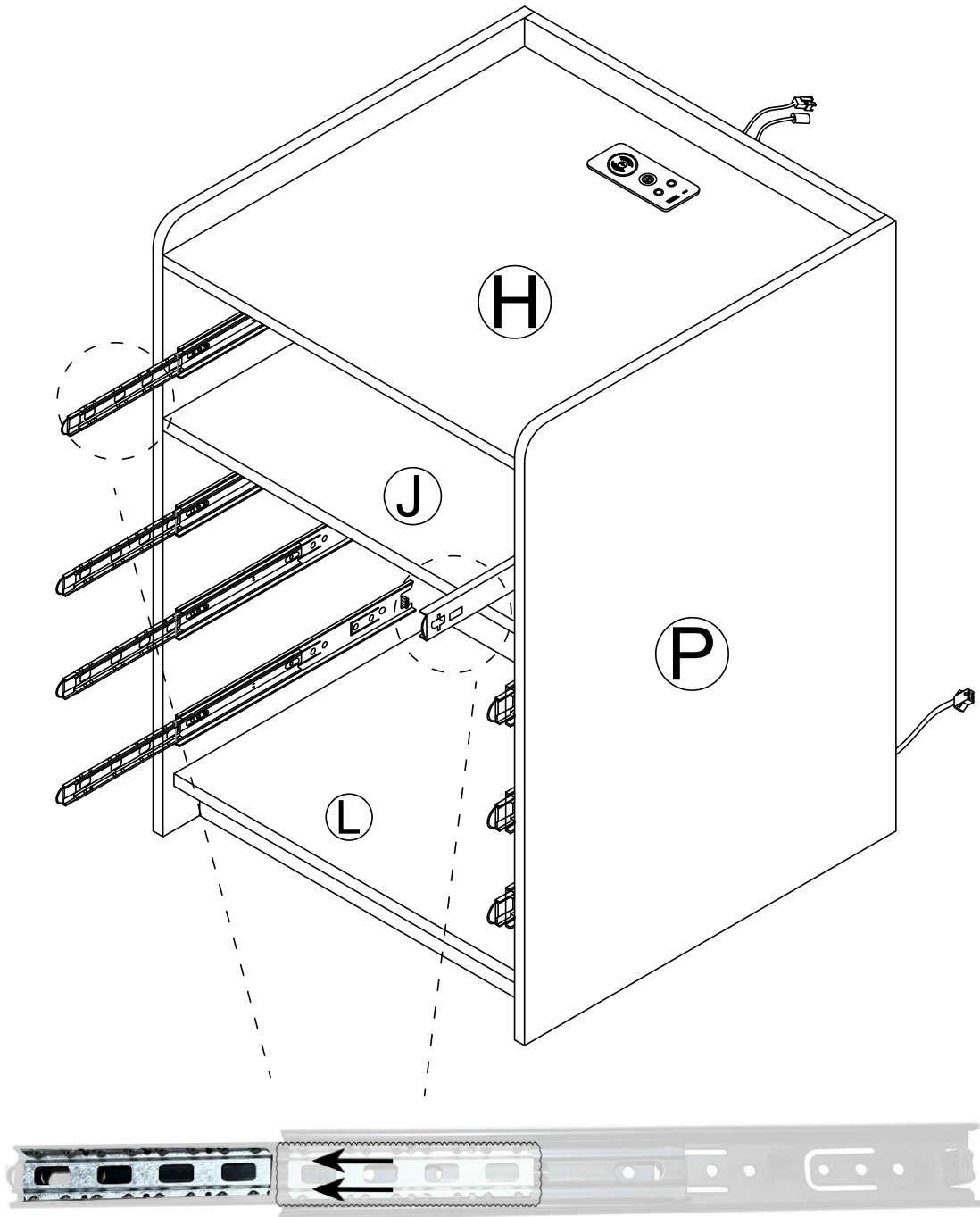
90°



Step 31

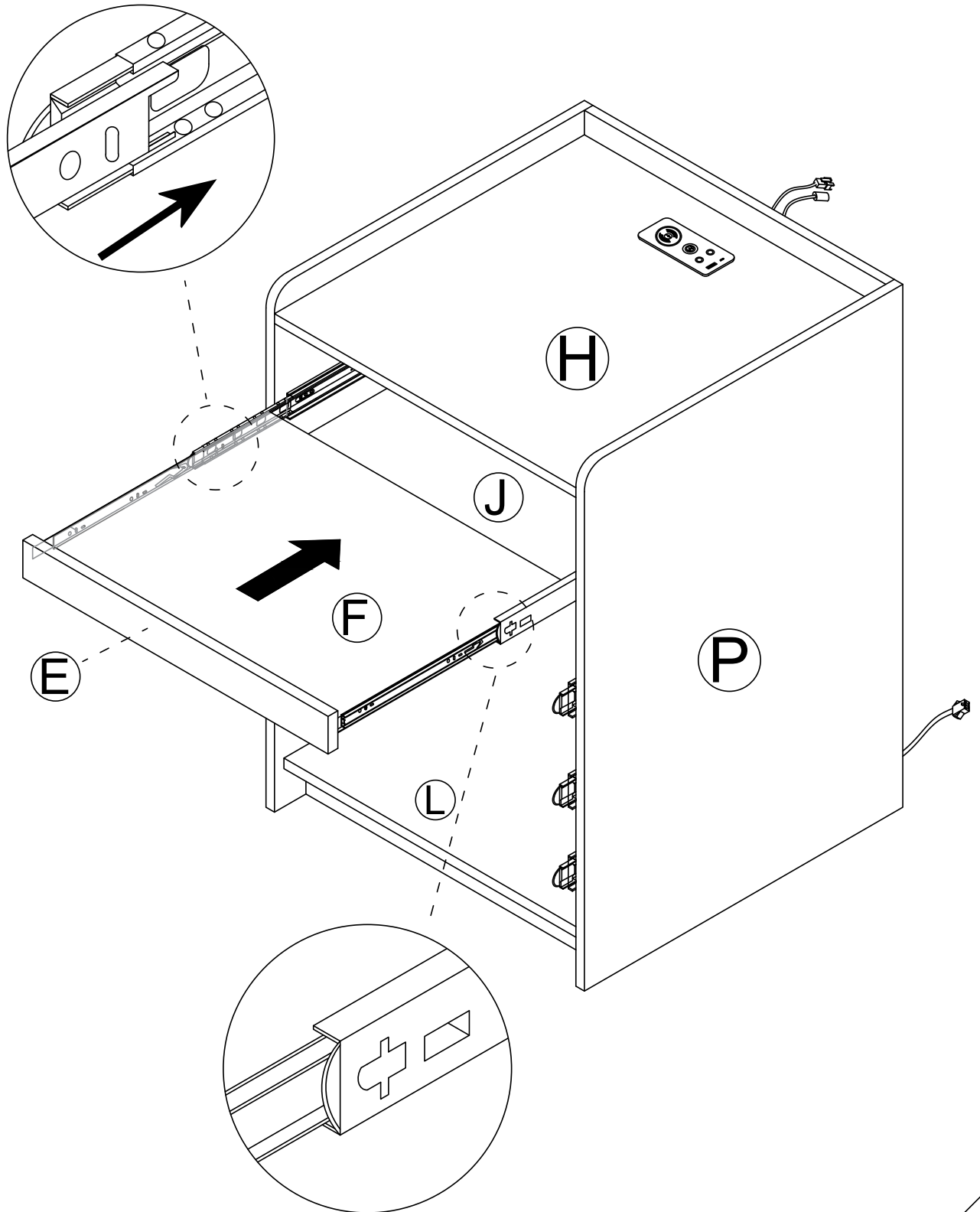


Step 32

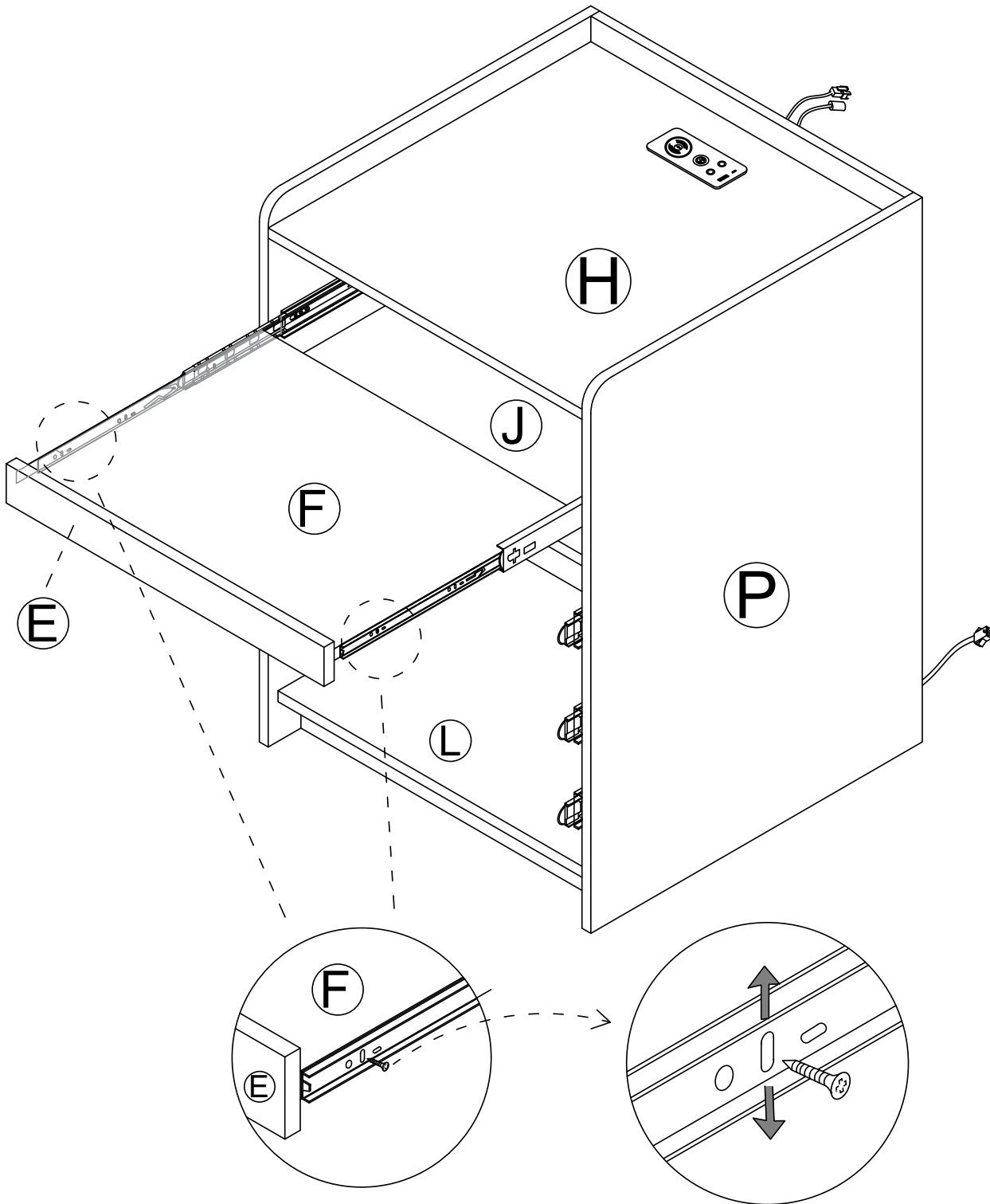


As shown, When installing the drawer,
pull the guide rail out first, Slide beads are also pulled out.

Step 33

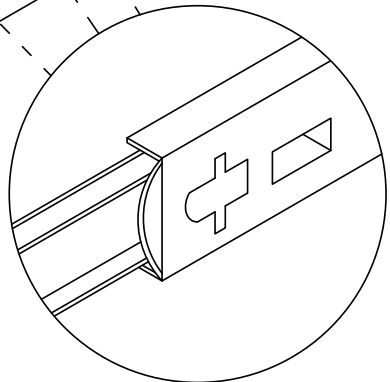
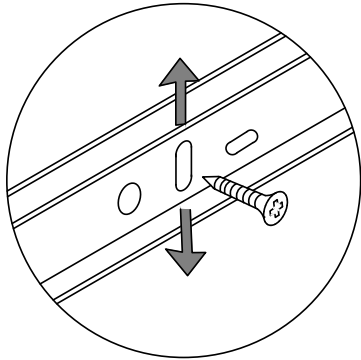
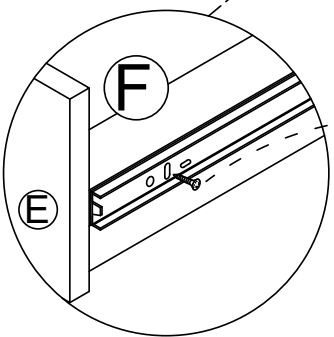
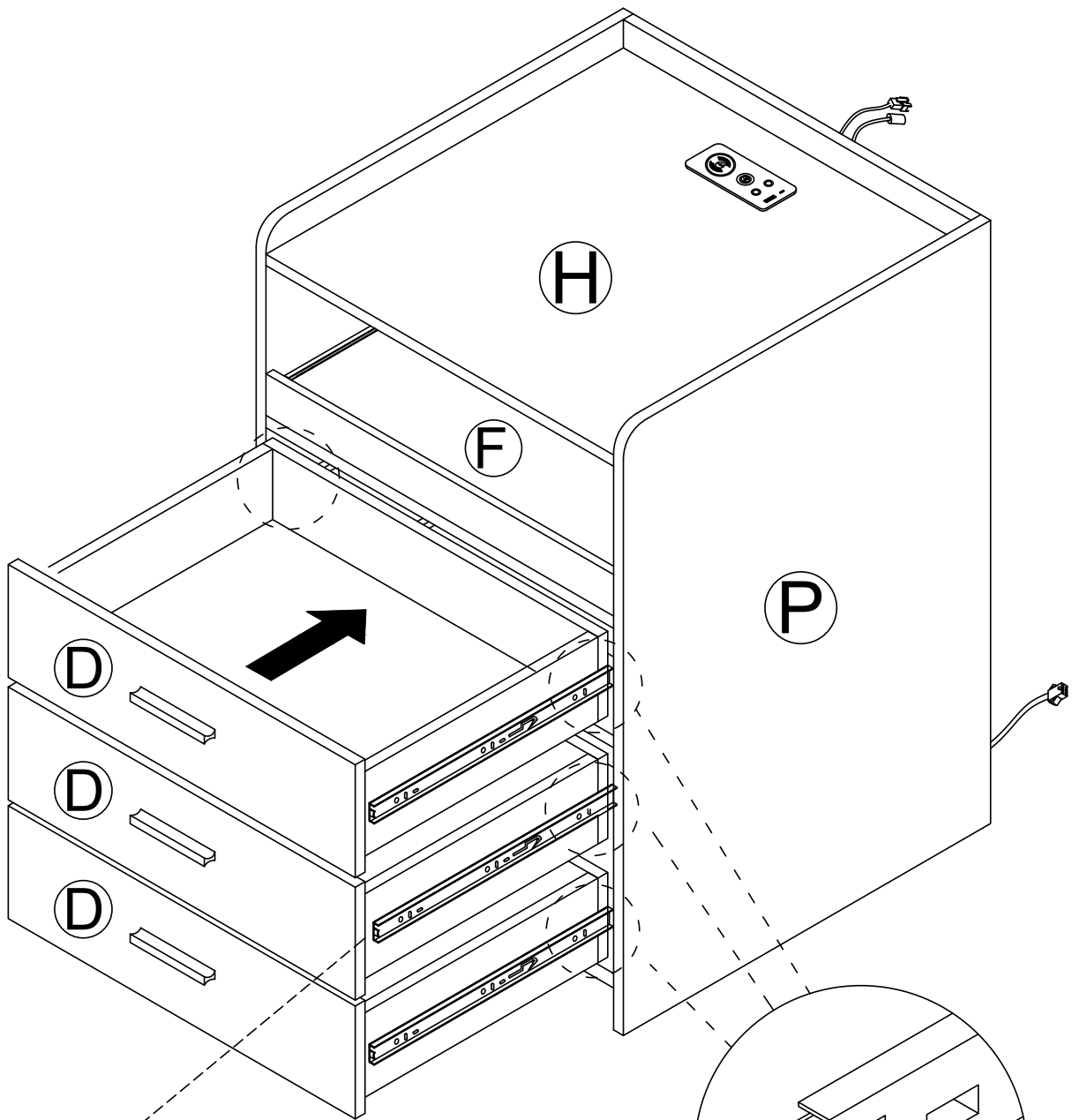


Step 34

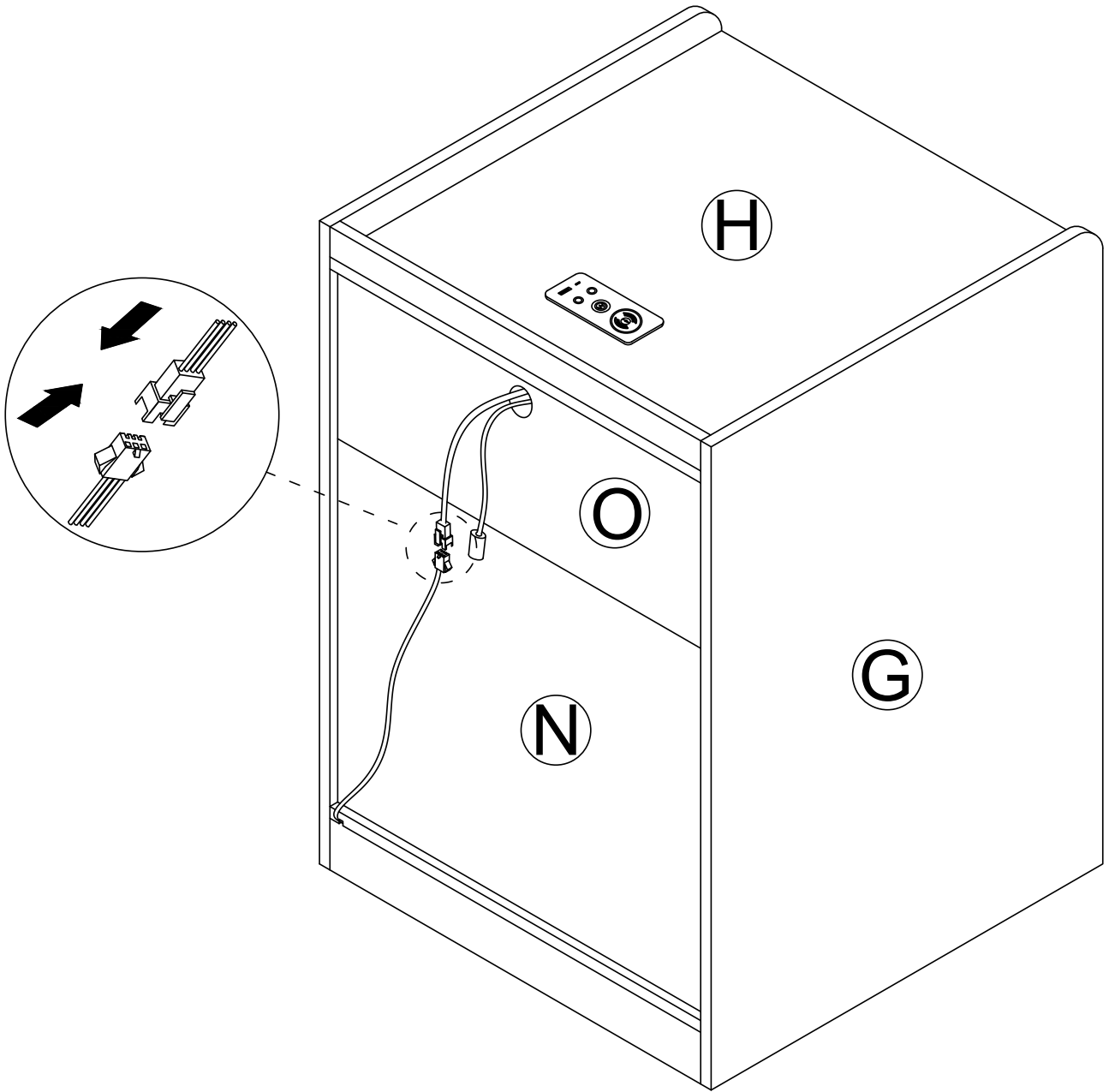


If a large gap is found after installing the drawer the slide rail can be moved up and down to adjust the gap

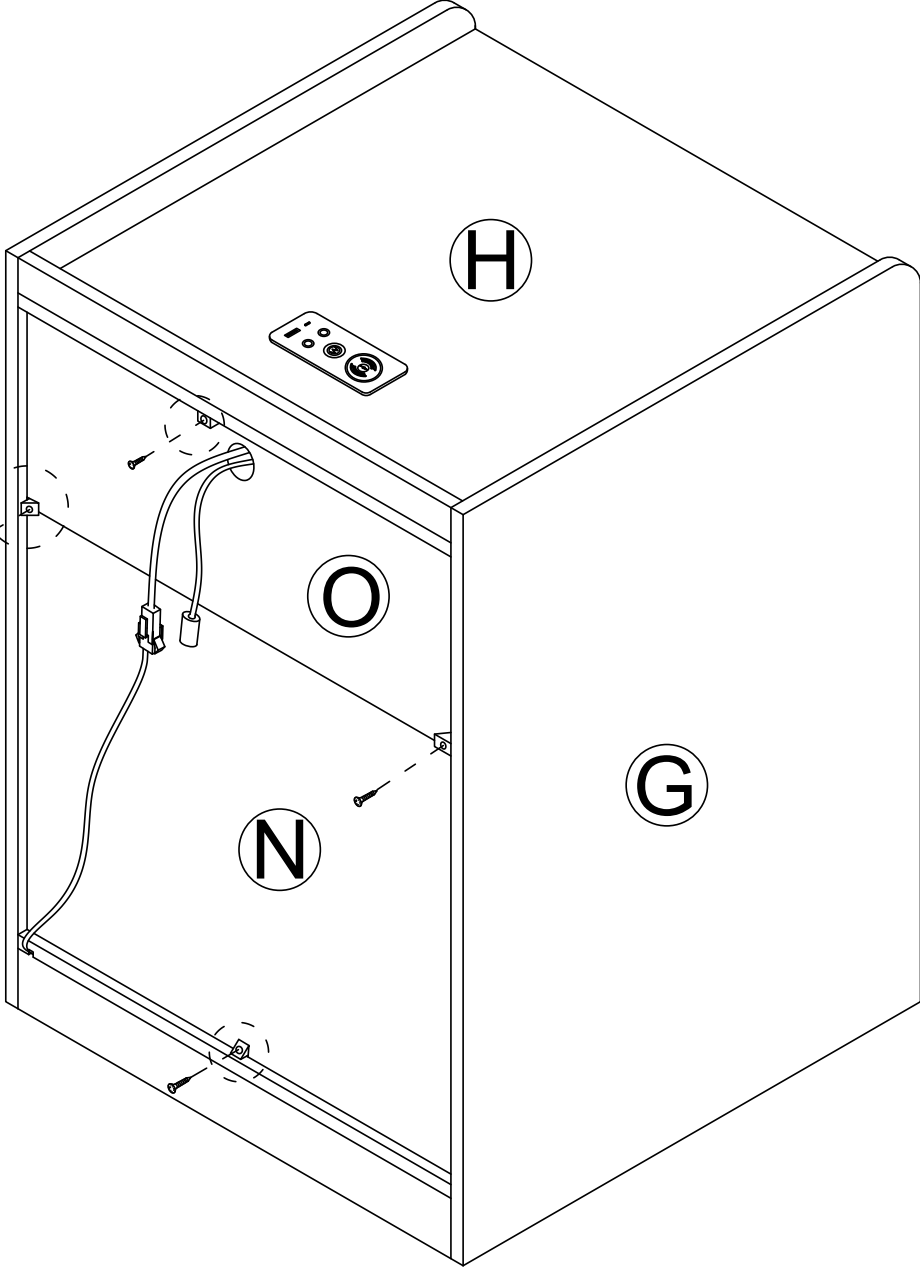
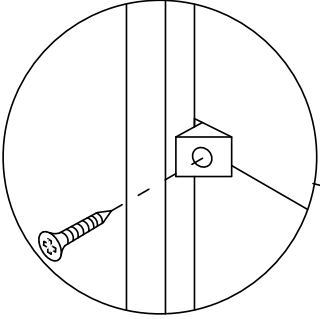
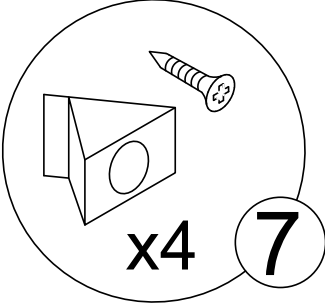
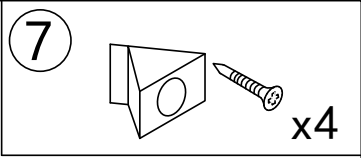
Step 35



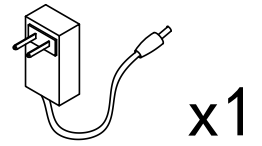
Step 36



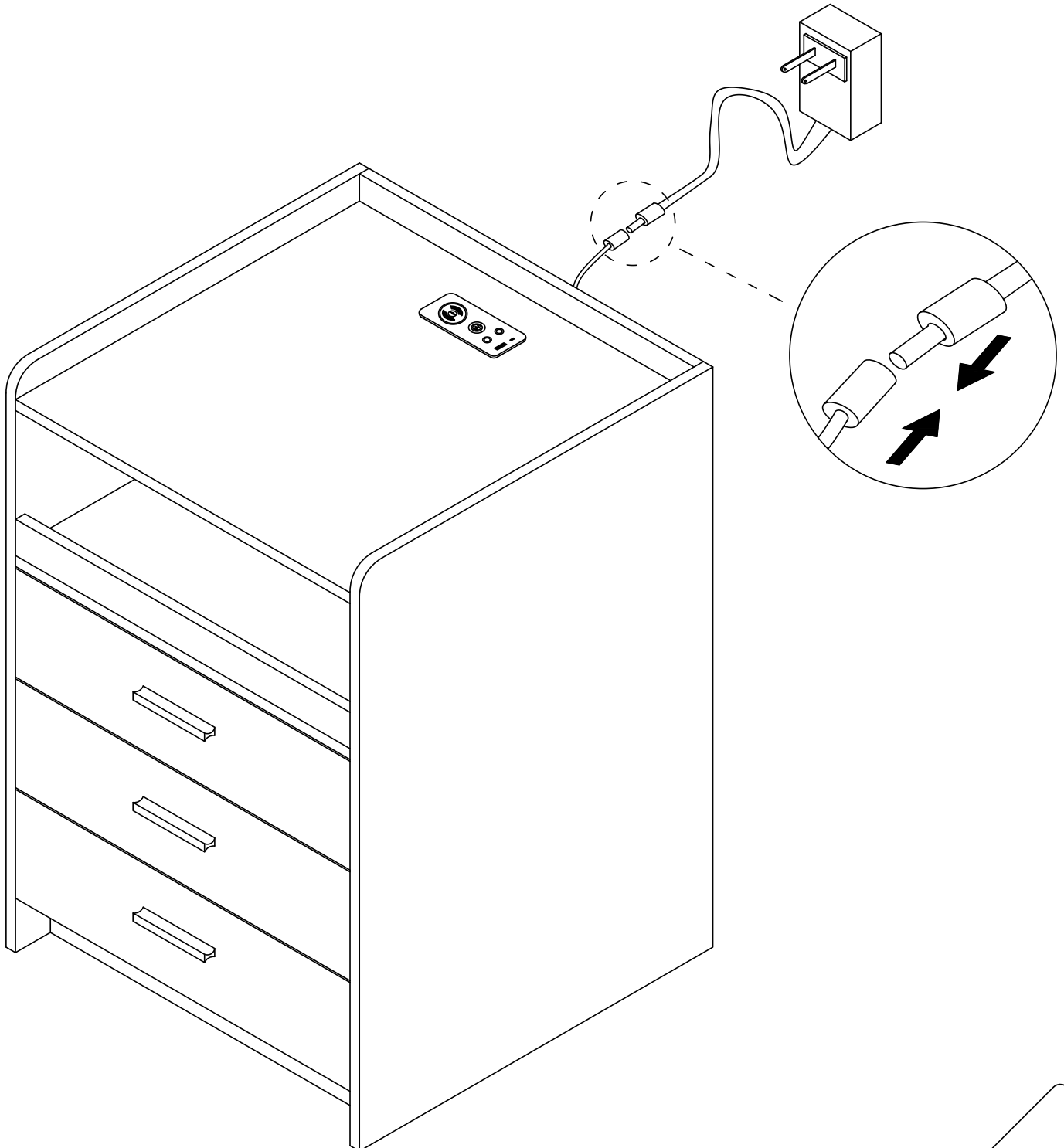
Step 37



Step 38



The bedside table supports wireless charging ,
It can be charged by placing a mobile phone
that supports wireless charging





User's Guide

Thank you for purchasing this product.

To use this product, please plug it into a 12V DC power supply.

Please use it if the product works normally after connecting to power.

Introduction

The box is an intelligent controller which integrates the charging function and the lighting control function, coming with 1 USB port and 1 type-C port, 2 touch buttons, a 24-color lighting control button, and a wireless charger.

Operation



This touch button is used to turn on/off lights and adjust brightness.

A. Long touch -> adjust the luminance.

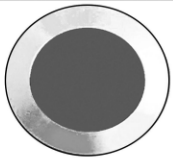


This touch button is used to turn on/off the induction function.

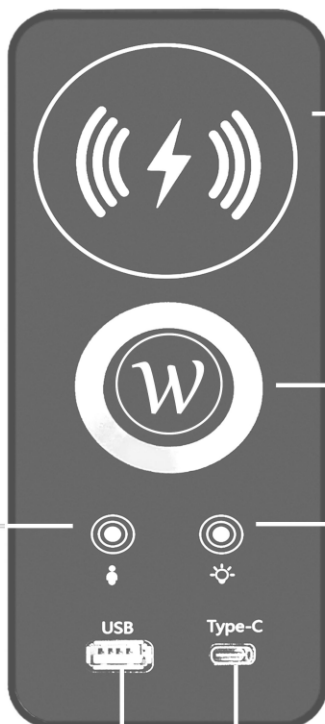
A. Short touch to turn on the induction function. It can auto-turn on the light when people are close to the controller within 1 meters. It can auto power off the light when the body is far away from the controller after 30 seconds.

B. Long touch to turn off the induction function.

C. Note: When you touch the light button to change the light modes, the induction function will automatically turn off. It is best to turn on this function after selecting the light color and adjusting the brightness you want.



This touch button is used to change 24 colors light. You can rotate the ring to choose colors, or click the ring to choose colors. Click in the middle of the ring, and reset to the white light.



This range is a wireless charging area, and only mobile phones with wireless charging function can be charged.

Consumer Reminder: Important Notice for Wireless Charging Use

1, Phone-Only Wireless Charging: This device supports wireless charging for mobile phones only. Attempting to charge other electronic devices may result in danger.

2, Metal Warning: Ensure that no metal objects are placed between your phone and the wireless charger (this includes magnetic or metal phone cases).

If there are metal objects can interfere with charging or cause hazardous conditions.

24 Color Lights
Touch Button

Induction Button

Light Button

USB output port

Type-C output port



ATTENTION PLEASE

1. If there is no touch response suddenly, Re-plug the power to reset the touch static electricity.
2. If bubbles appear on the panel, remove the protective film.
3. If you have any questions when installing, please feel free to contact us. Thank you.