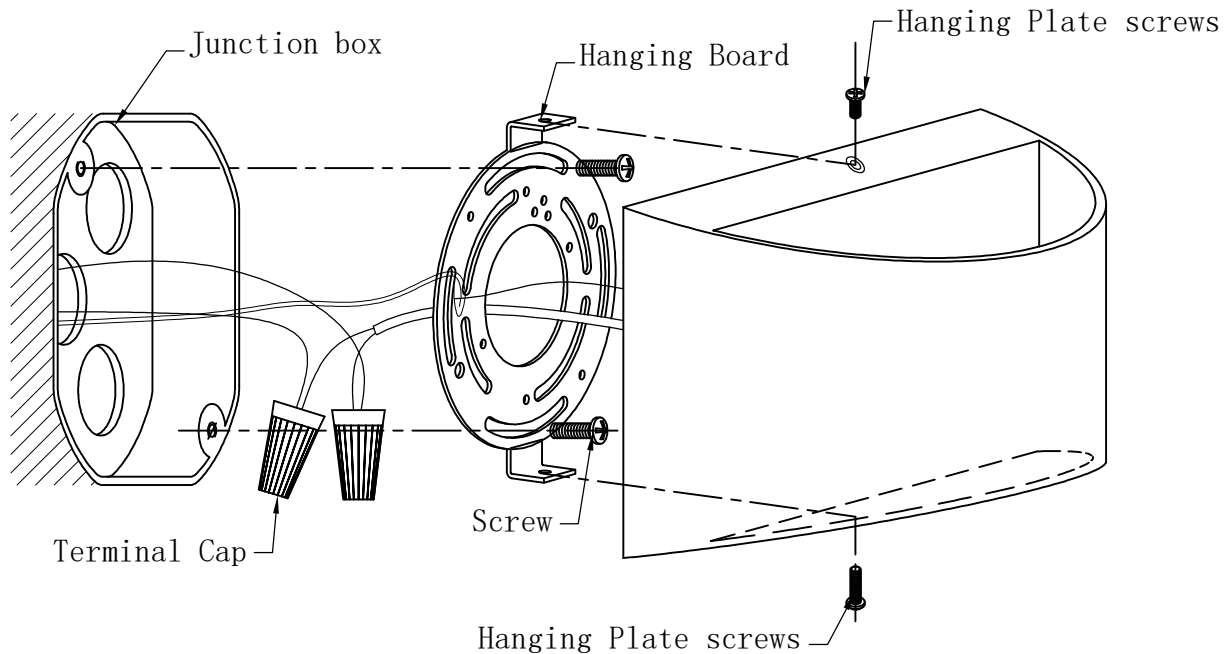


INSTRUCTION MANUAL



1. Remove the hanging plate screw from the lamp body first.
2. Connect the wires with the Terminal Cap (black is positive and white is negative)
3. Lock the Hanging Board to the junction box with M4 Screw.
4. Then use the hanging plate screw to lock the lamp body on the hanging plate ear.
5. Insert the bulb and try to turn on OK.



matters need attention

- 1 Rated Voltage 110V, 60Hz, lamp power $\leq 60W$
- 2 Avoid scratching the surface and wire of the lamp when installing, and wear gloves when installing, please don't hit the lamp tube to avoid injury (to avoid damage)
- 3 Use Medium paper, cloth and other flammable materials do not close to the bulb (to avoid causing a fire)
- 4 LUMINAIRES shall not be near acids, alkalis containing corrosive chemicals and gases, shall not be washed with water, can only be cleaned with a clean soft cloth.
- 5 Please do not touch the lamp tube while in use or after the lamp is switched off (avoid scalding)
- 6 Please do not use in the place of excessive humidity or high temperature.
- 7 When installing, cleaning and changing lamps, the power supply should be cut off (avoid electric shock)