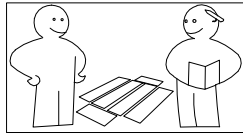
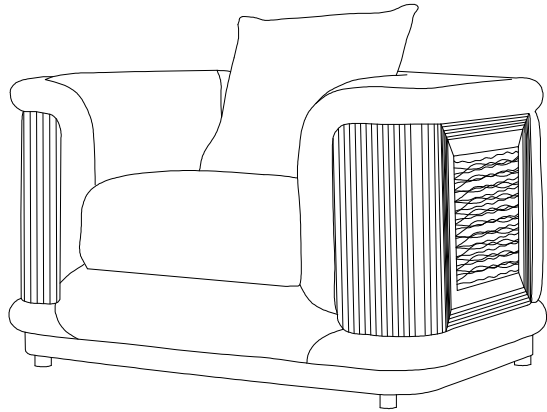


CHAIR ASSEMBLY INSTRUCTION

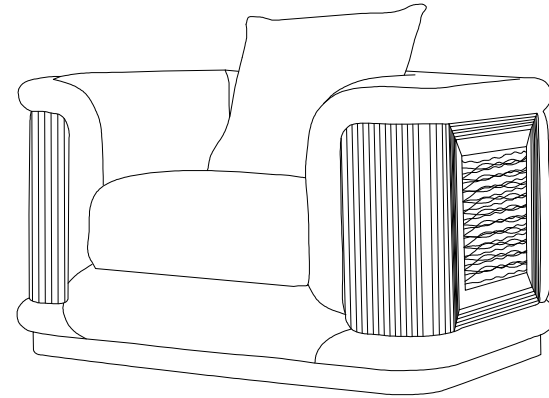
ASSEMBLY INSTRUCTION



Attention:
Two people are required for assembly and lifting unit.

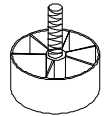
ASSEMBLY PART

1.



CHAIR (1PCS)

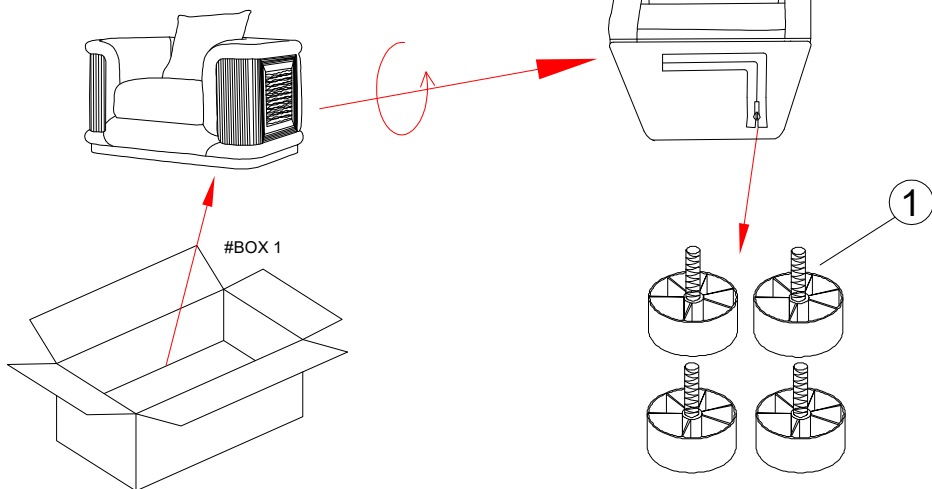
2.



LEGS (4PCS)

ASSEMBLY INSTRUCTION

STEP1.
For this step take out all the parts



ASSEMBLY INSTRUCTION

STEP2.
Attach Legs (4pcs) to the chair

