

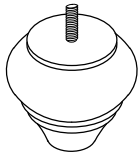
ASSEMBLY INSTRUCTION

DESCRIPTION :NIGHT STAND

Thank you for purchasing this quality product. Be sure to check all packing material carefully for small Hardware which may have come loose inside the carton during shipment. Identify and count all Hardware and compare with the Hardware List below.

Note : Take out assembly instructions sheet, hardware pack and feet packaging from the drawer which marked with the rope.

COMPONENT LIST



Bun Feet

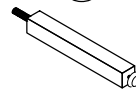
4 pcs

COMPONENT LIST



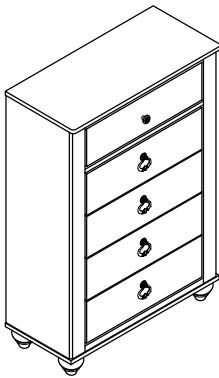
Bun Feet

4 pcs

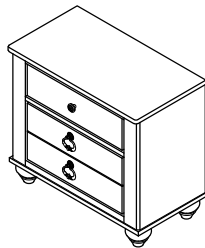


Center Support Leg

1 pc

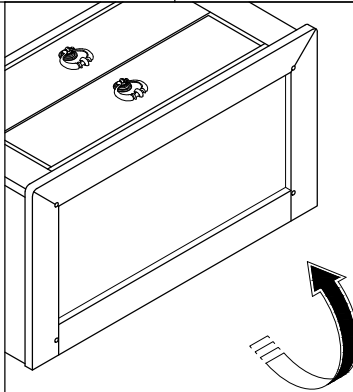


CHEST



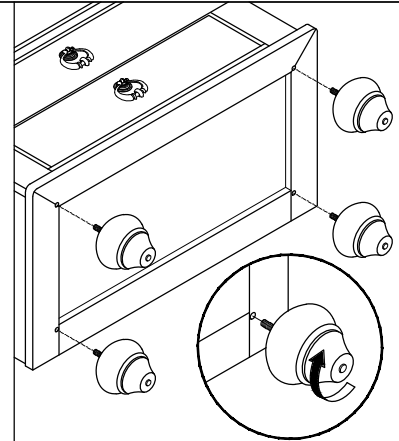
NIGHT STAND

ASSEMBLY COMPLETED



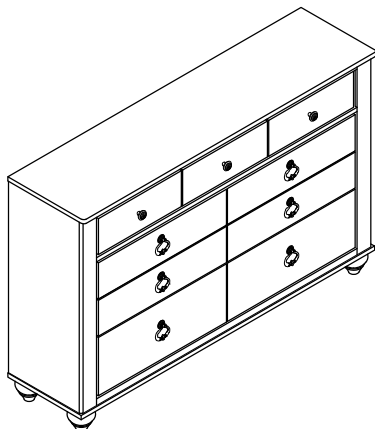
STEP 1

Please lay down the casegoods on the floor.



STEP 2

Fasten bun feet to casegoods according to the position with turning the bun feet clockwise until tightly.



DRESSER

ASSEMBLY COMPLETED

STEP 1

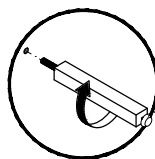
Please lay down the dresser on the floor.

STEP 2

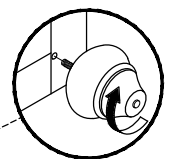
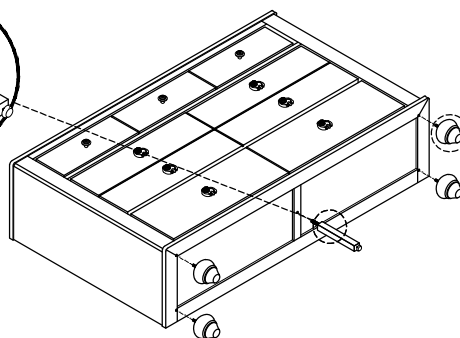
Fasten bun feet to dresser according to the position with turning the bun feet clockwise until tightly.

STEP 3

Align and tighten center support leg to bottom panel of dresser.



STEP 3



STEP 2