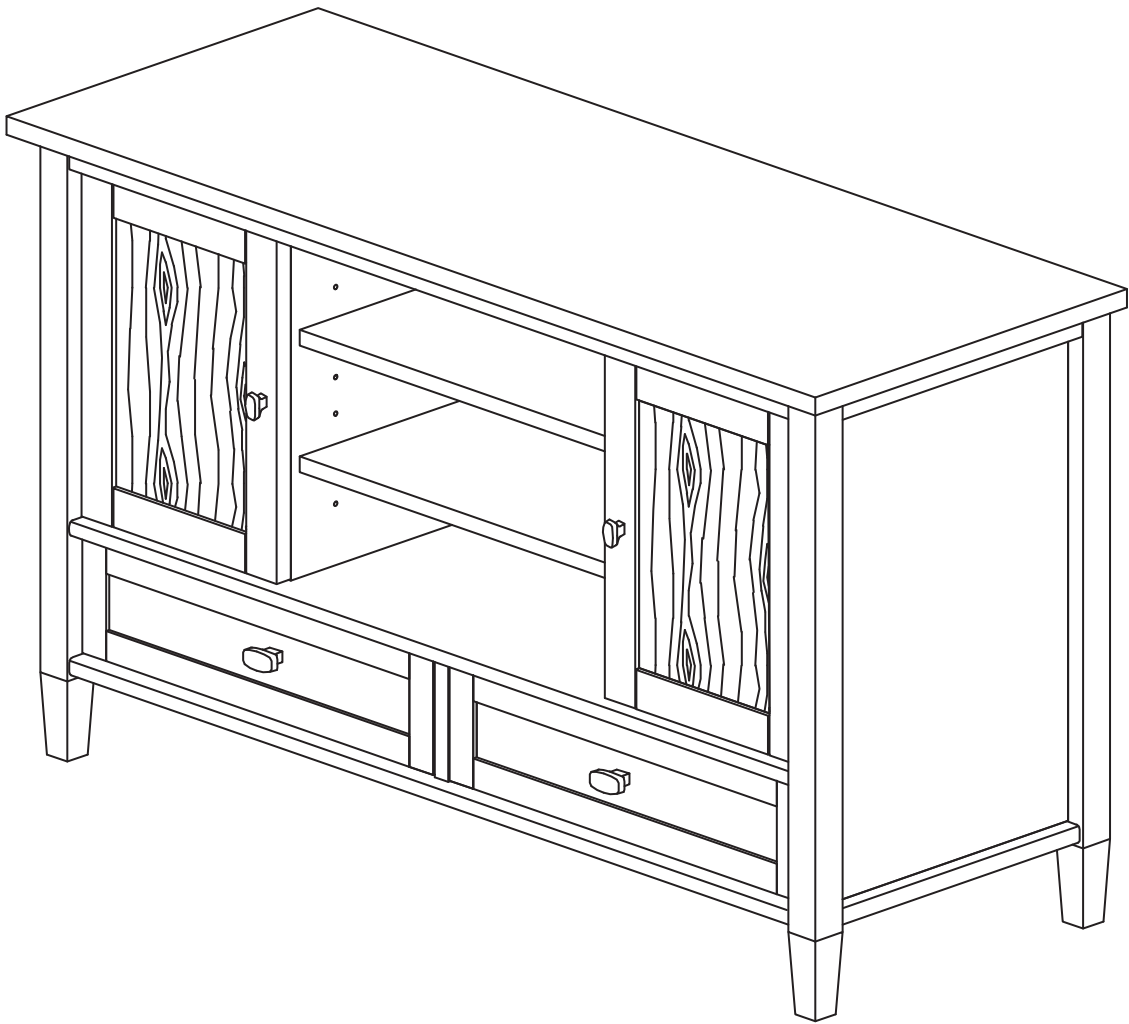


TV MEDIA STAND





**FOR REPLACEMENT PARTS OR HELP WITH
ASSEMBLY PLEASE CONTACT US.**

**PLEASE ENSURE TO HAVE THE MODEL #
FROM THE PACKAGING OR INSTRUCTION BOOKLET**

**TO RETURN THE PRODUCT:
PLEASE CONTACT THE RETAILER
WHERE THE ITEM WAS PURCHASED FROM**

IMPORTANT : Please read this manual carefully before beginning assembly of this product. Keep this manual for future reference.

SAFETY INFORMATION

CAUTION: Injuries and damage can occur from furniture tip over if product is not properly anchored to the wall. Use the Furniture Anti-Tipping Restraint provided with the product. Consult our assembly instructions for help.

If the Furniture Anti-Tipping Restraint kit is not in the box, please contact our customer service department in order to obtain another kit before using the furniture.

Identify all the parts and hardware. Do not discard of the packaging until you have checked that you have all of the parts and hardware required. Hardware package may have spare parts.

WARNING: This item contains small parts which can be swallowed by children and pets. Keep children and pets away during assembly. To avoid danger of suffocation, always keep plastic bags away from children and pets. We recommend that you assemble this unit on a carpeted floor to avoid scratches. If using power tools, set the tool to low torque to avoid damage.

May require 2 people for ease of assembly.

CARE and MAINTENANCE

To clean, use a soft or slightly damp cloth, then wipe with a clean, dry cloth. Dust with soft dry cloth.

Do not use ammonia-based cleaning products, as they will damage the finish. Do not leave liquids or damp cloths on this furniture.

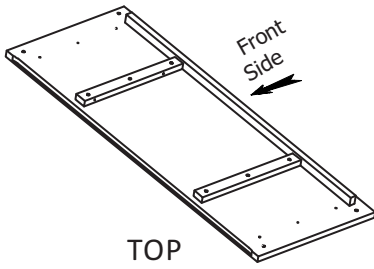
To avoid dulling of the finish, do not place furniture in direct sunlight.

Please inspect and tighten all screws or bolts on a regular basis to ensure proper performance and safety of your item.

PRE-ASSEMBLY INFORMATION

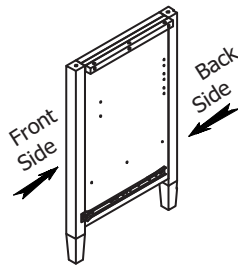
PARTS DESCRIPTION

A



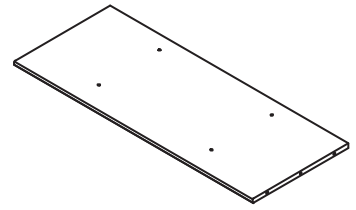
TOP
QTY 1

B



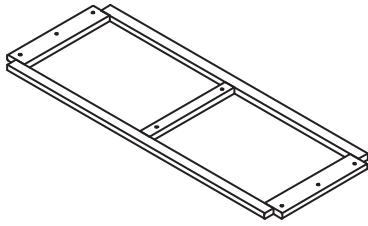
SIDES
QTY 1 PAIR

C



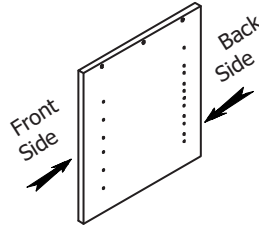
CENTRE SHELF
QTY 1

D



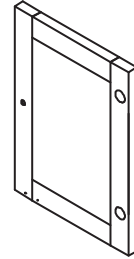
BOTTOM SUPPORT
QTY 1

E



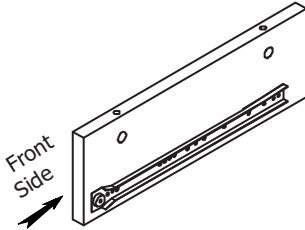
SHELF SIDE
QTY 1 PAIR

F



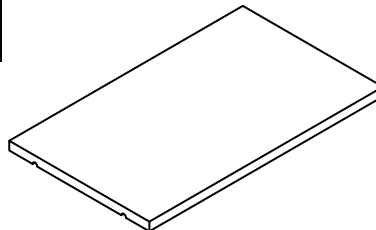
DOOR
QTY 1 PAIR

G



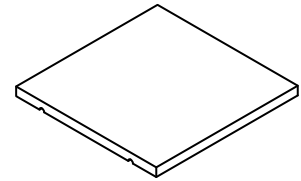
CENTRE DRAWER GLIDE
QTY 1

H



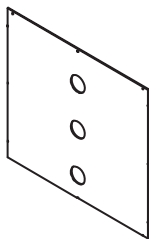
SHELF
QTY 2

I



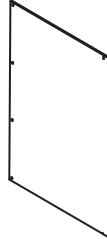
SHELF CABINET
QTY 2

J



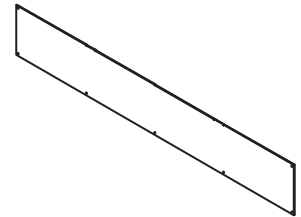
BACK PANEL
QTY 1

K



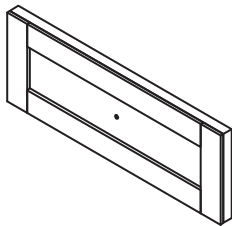
BACK PANEL
QTY 2

L



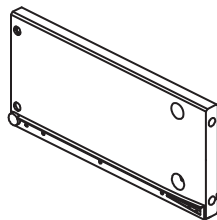
BACK PANEL
QTY 1

M



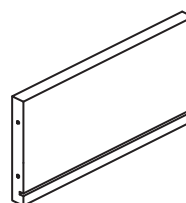
DRAWER FRONT
QTY 2

N



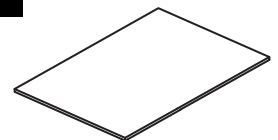
DRAWER SIDE
QTY 2 PAIRS

O



DRAWER BACK
QTY 2

P



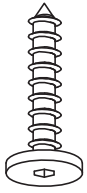
DRAWER BOTTOM
QTY 2

NEED HELP? For help with assembly or if you are missing a part,
Please call customer service

PRE-ASSEMBLY INFORMATION

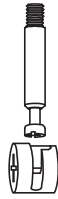
HARDWARE DESCRIPTION

1



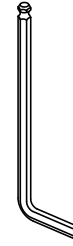
ALLEN KEY SCREW
M6 X 30 mm
QTY 32

2



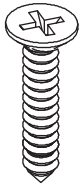
CAM LOCK PIN
CAM LOCK
QTY 16 SETS

3



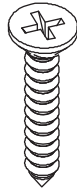
ALLEN KEY
QTY 1

4



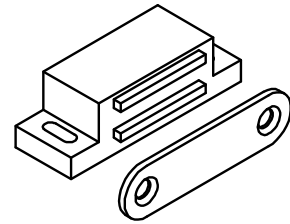
PHILLIPS SCREW
M4 X 15 mm
QTY 24

5



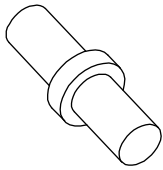
PHILLIPS SCREW
M3 X 15 mm
QTY 8

6



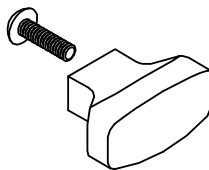
MAGNET AND PLATE
QTY 2 SETS

7



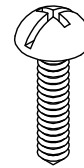
SHELF SUPPORT
QTY 24

8



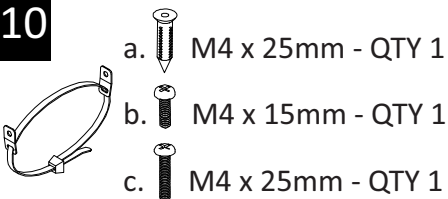
HANDLE
M4 X 25 mm
QTY 4 SETS

9



PHILLIPS SCREW
ROUND HEAD
M4 X 15 mm
QTY 31

10



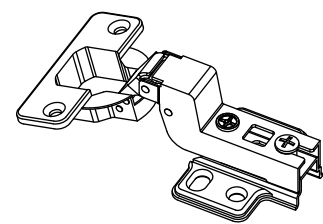
FURNITURE ANTI-TIPPING
RESTRAINT
QTY 1 SET

11

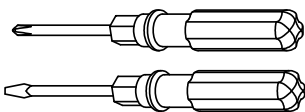


WOOD DOWEL
Ø8 X 30 mm
QTY 4

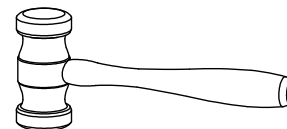
12



ADJUSTABLE HINGE
QTY 4 SETS

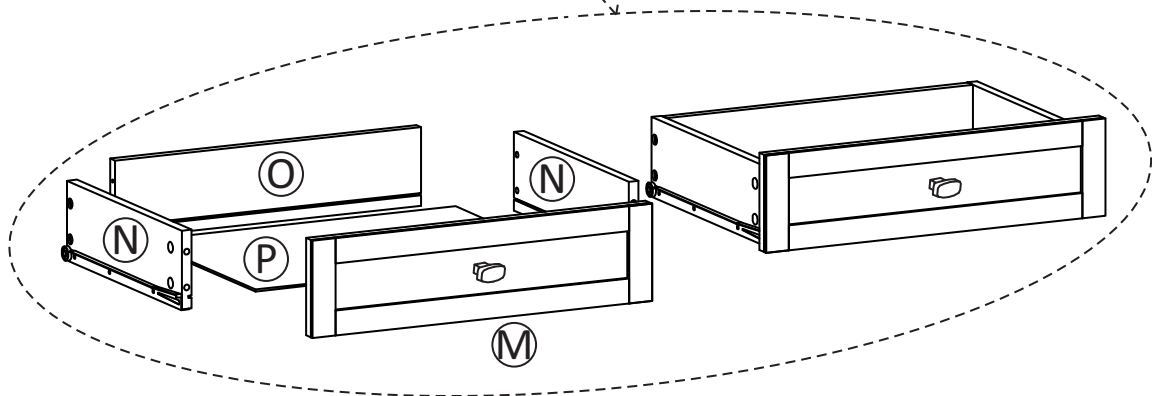
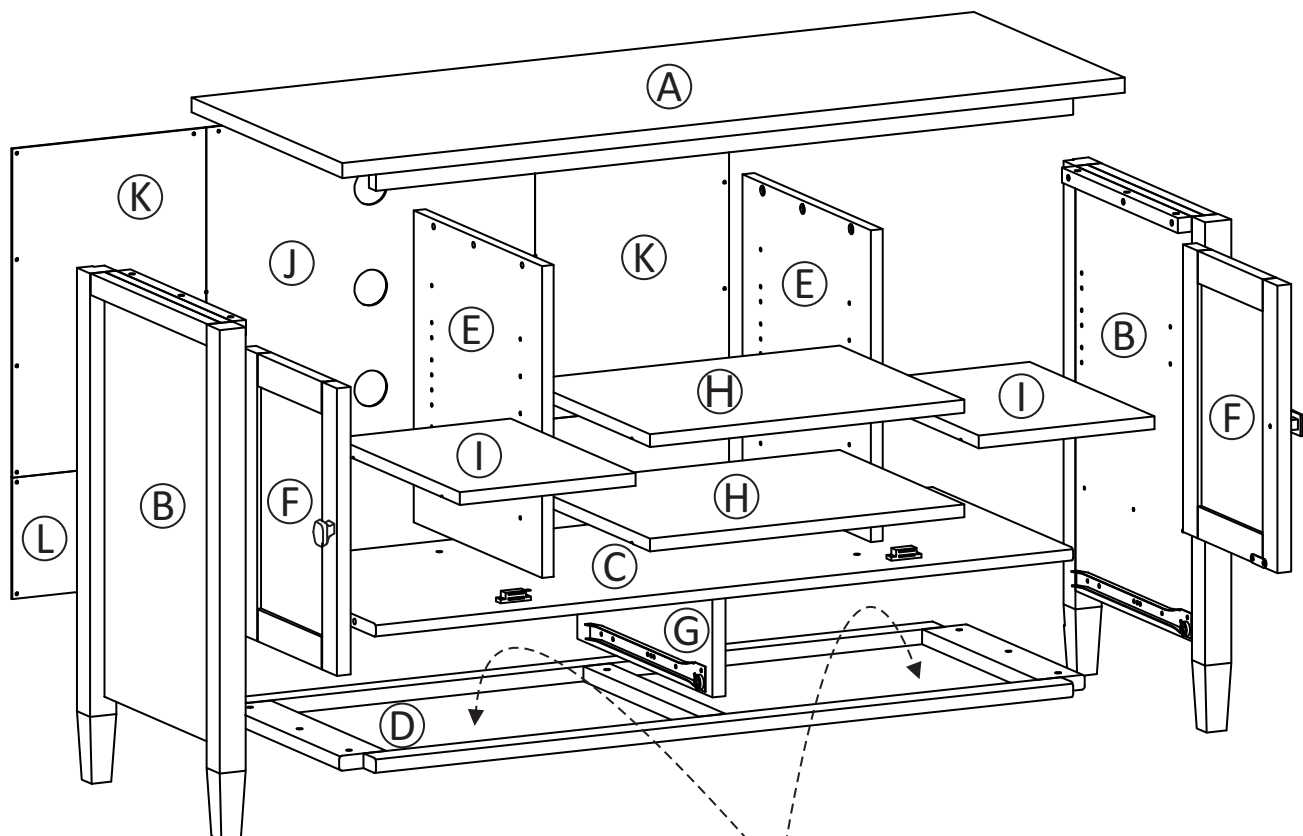


Required -
Flathead screwdriver
Phillips screwdriver
Rubber mallet
Not Included



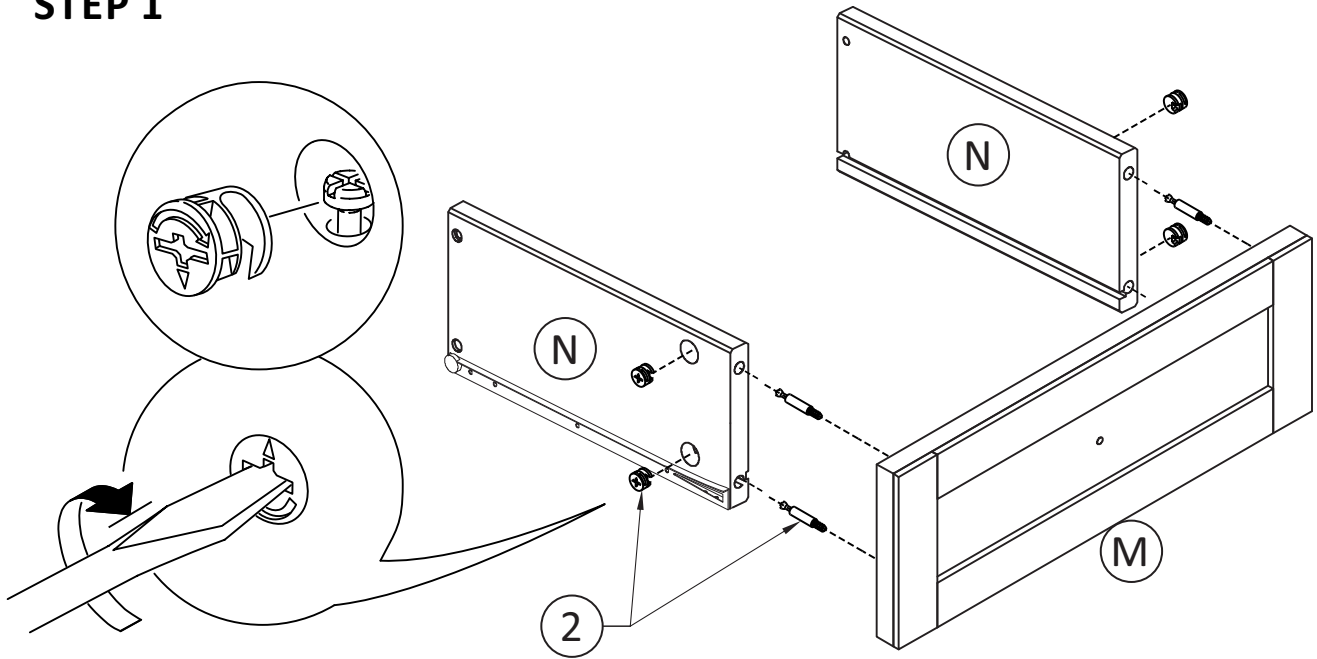
NEED HELP? For help with assembly or if you are missing a part,
Please call customer service

COMPONENTS – KEY DIAGRAM



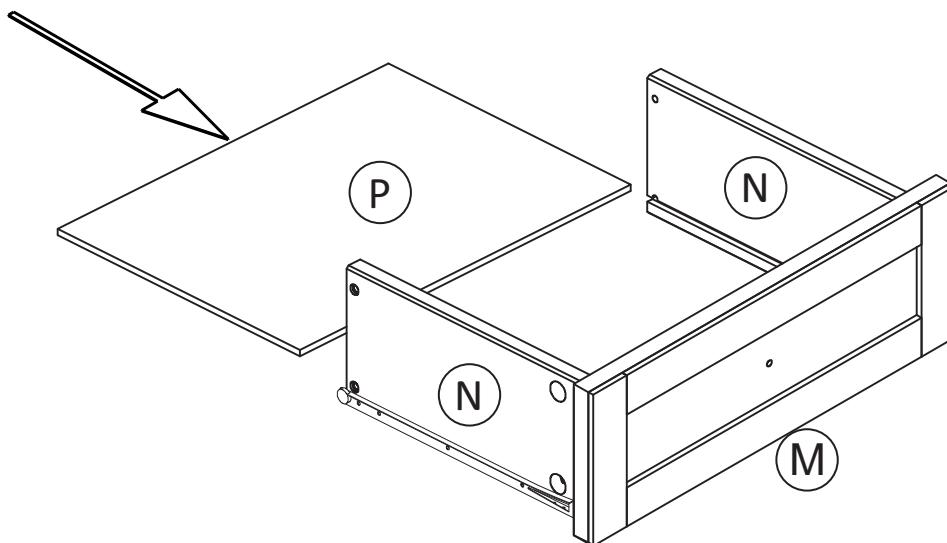
ASSEMBLY

STEP 1



1. Attach 4 Cam Lock Pins (2) to back of Drawer Front (M).
2. Align and insert Cam Lock Pins into pre-drilled holes on Drawer Sides (N).
3. Insert 2 Cam Lock (2) into pre-drilled holes on each Drawer Side (N).
4. Use flathead screwdriver to secure Cam Locks.

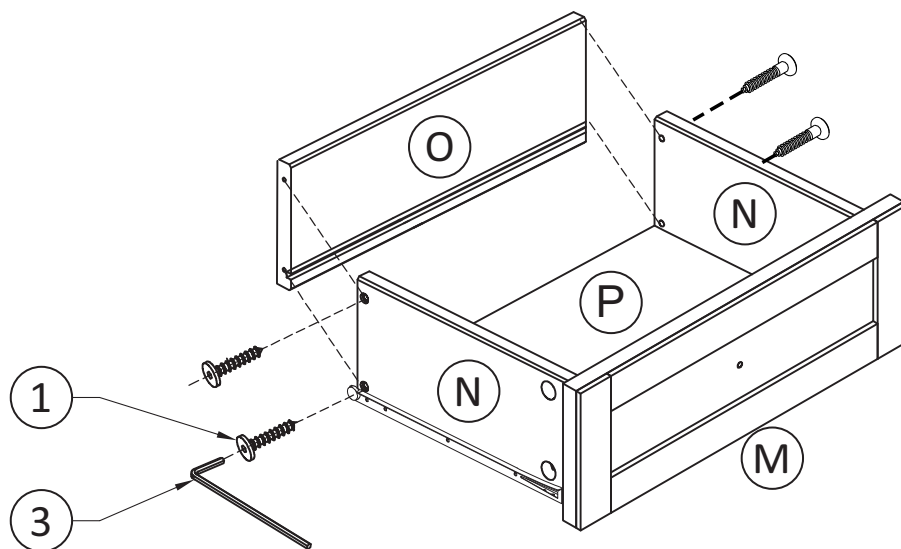
STEP 2



1. Slide Drawer Bottom (P) firmly into slots on Drawer Sides (N) and Drawer Front (M).

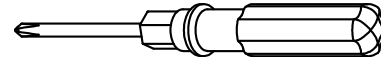
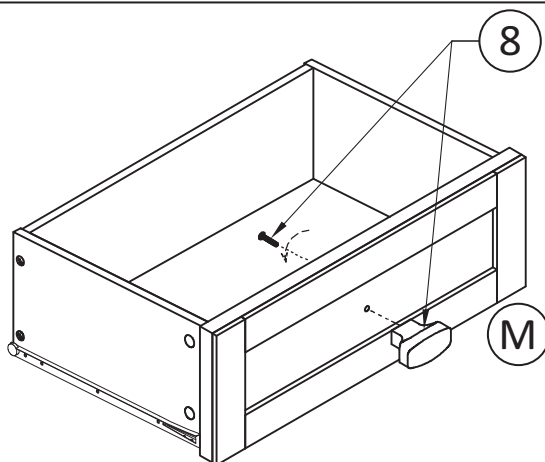
ASSEMBLY

STEP 3



1. Align Drawer Back (O) with Drawer Bottom (P) and press firmly into slot .
2. Attach back using 2 Allen Key Screws (1) through pre-drilled holes on each side.
3. Use Allen Key (3) to tighten. Do not over-tighten.

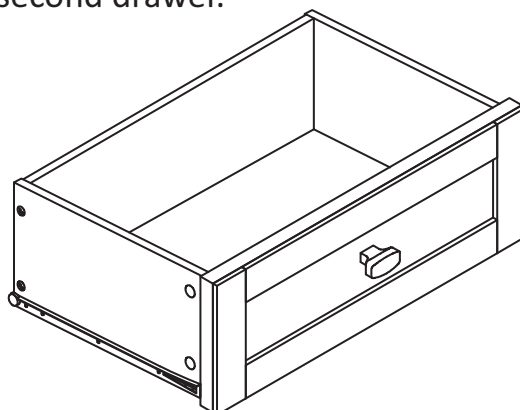
STEP 4



NOTE: The screwdriver is not included in the hardware pack.

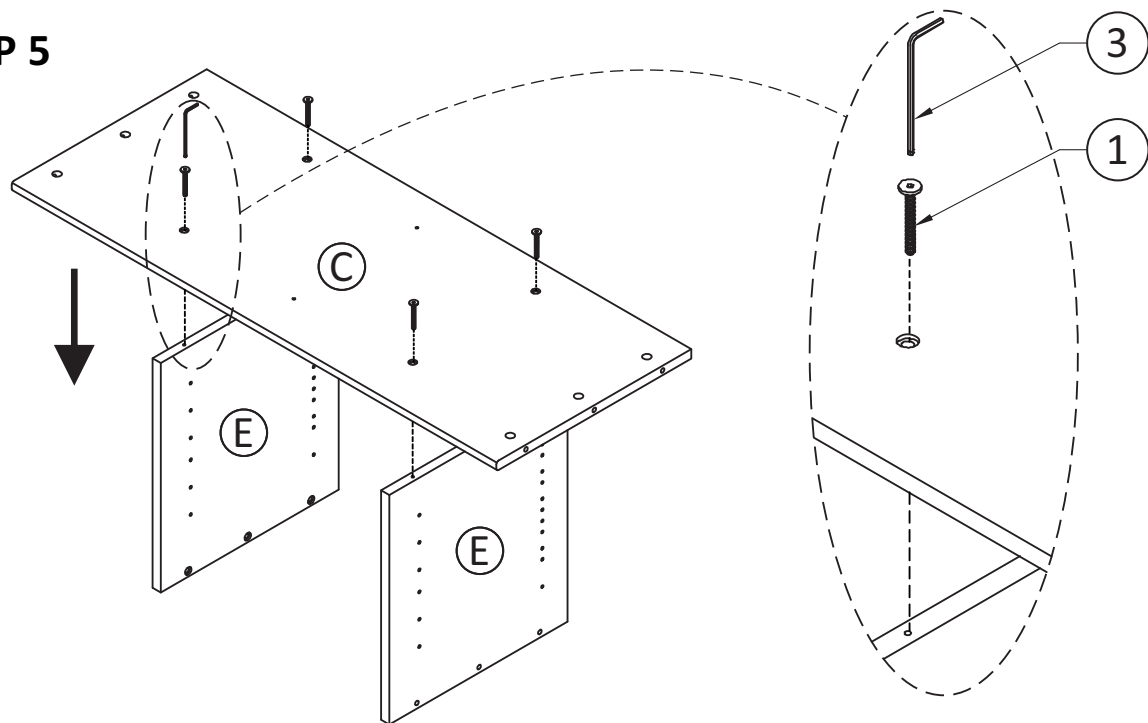
1. Use Phillips Screwdriver to attach Handle (8) to Drawer Front (M).

Repeat Step 1-4 for the second drawer.



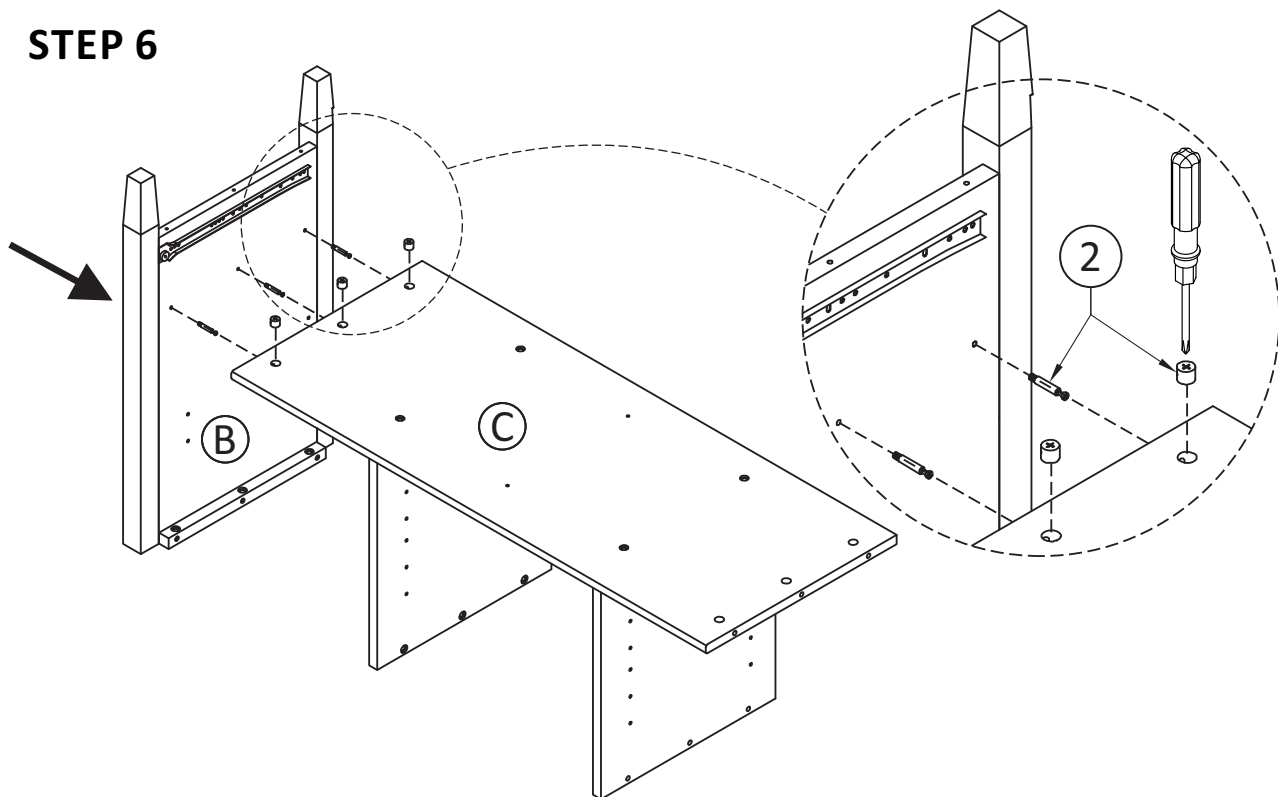
ASSEMBLY

STEP 5



1. Attach Shelf Sides (E) to Bottom Shelf (C) using four Allen Key Screws (1) through pre-drilled holes.
2. Use Allen Key (3) to tighten. Do not over-tighten.

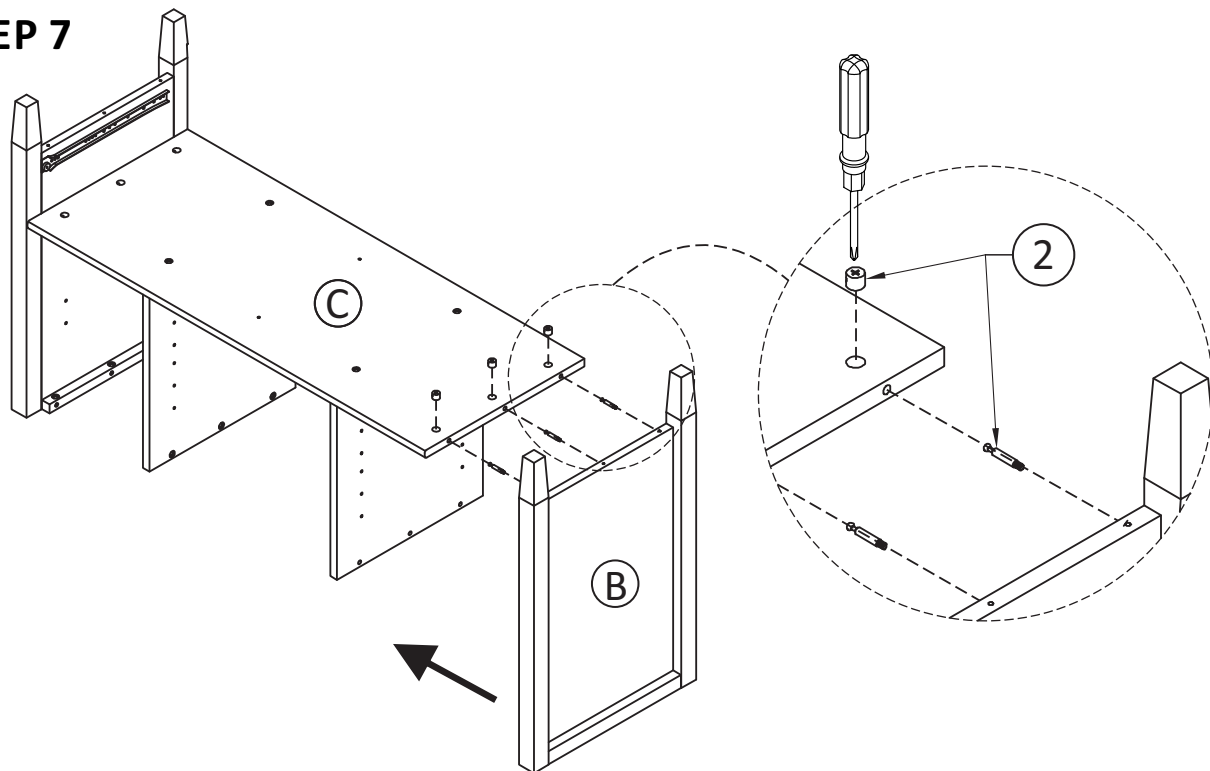
STEP 6



1. Attach three Cam Lock Pins (2) to one Side (B) using guide holes.
2. Align and insert Cam Lock Pins on Side (B) into pre-drilled holes on Bottom Shelf (C).
3. Place three Cam Locks (2) into pre-drilled holes in Bottom Shelf (C).
4. Using a flathead screwdriver tighten Cam Locks into Pins.

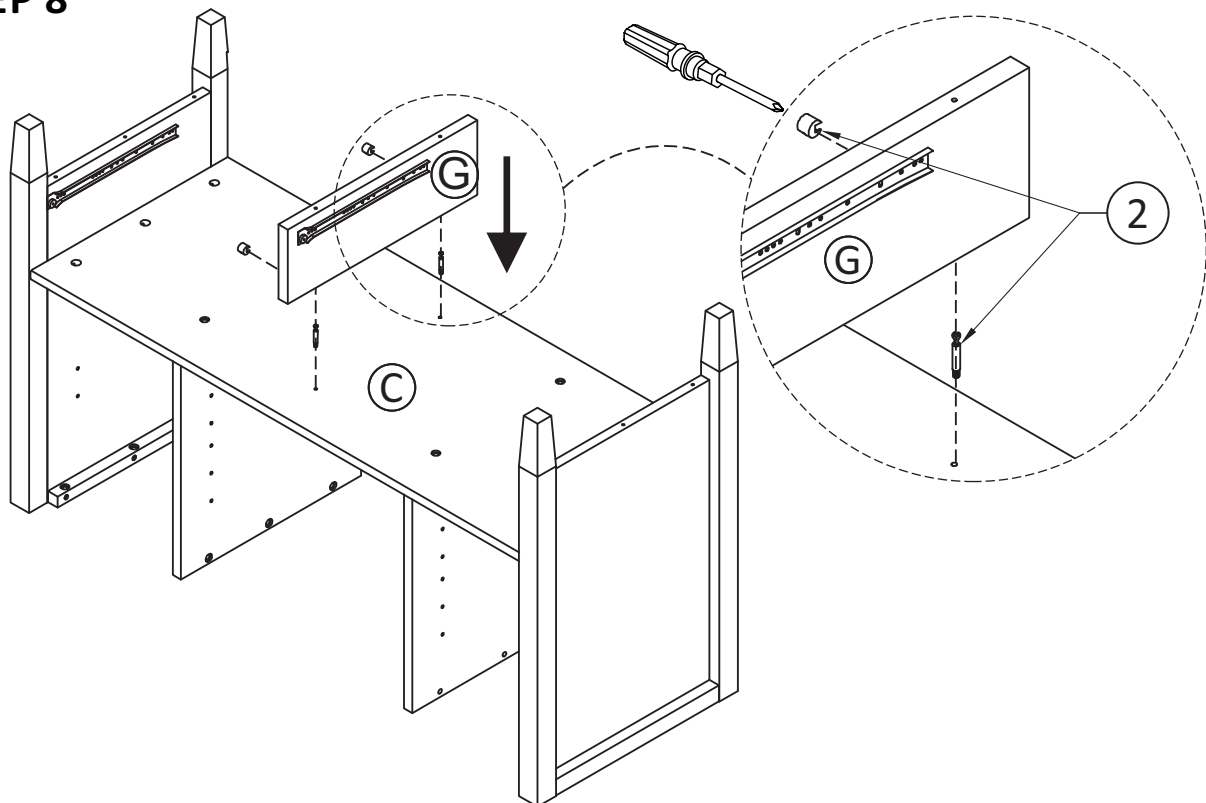
ASSEMBLY

STEP 7



1. To attach Opposite Side (B) to Bottom Shelf (C), repeat steps 1 - 4 in Step 6.

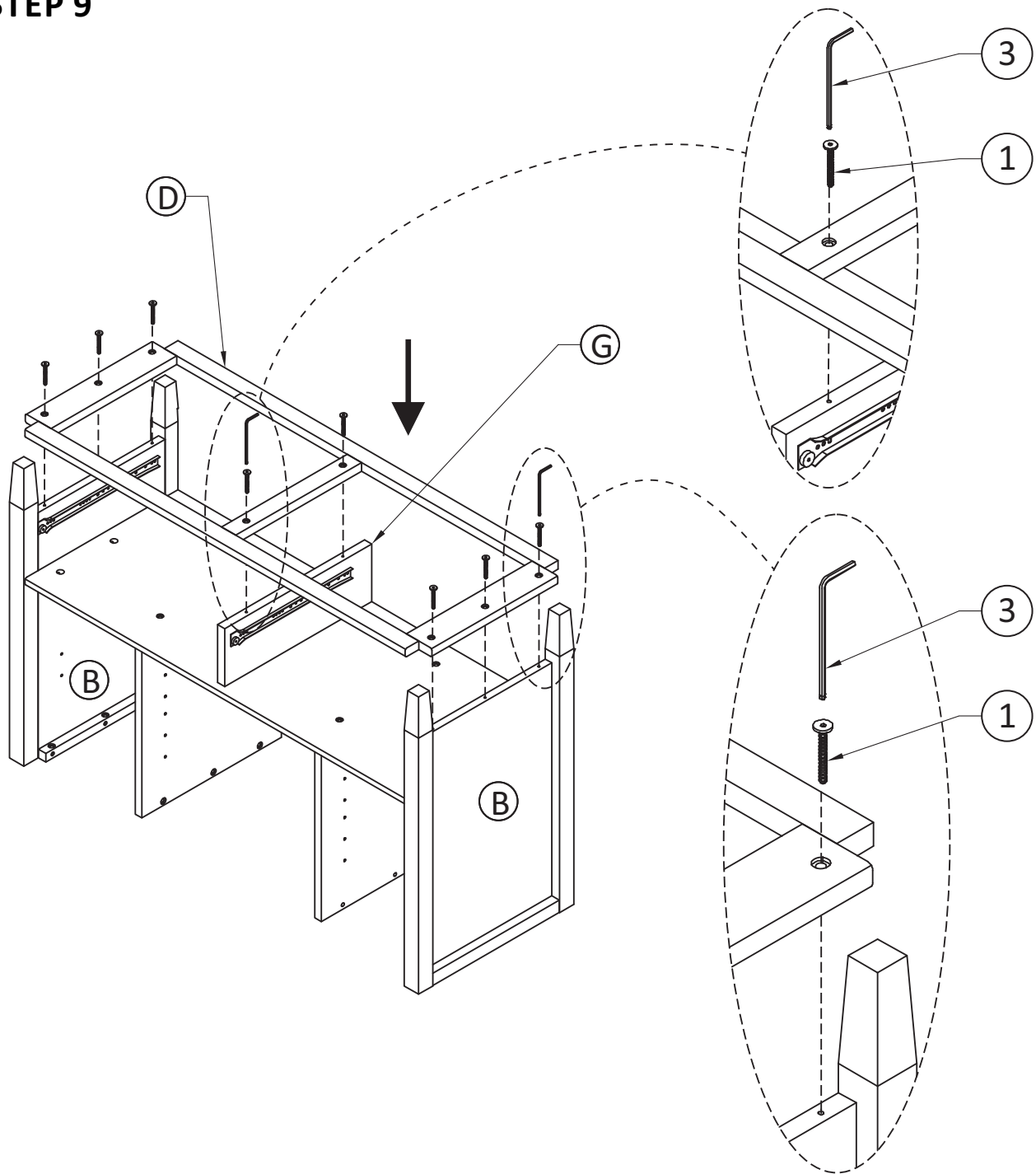
STEP 8



1. Attach two Cam Lock Pins (2) to bottom of Bottom Shelf (C) using guide holes in centre.
2. Align and insert pins into Centre Drawer Glide (G).
3. Insert two Cam Locks (2) into pre-drilled holes on Centre Drawer Glide (G).
4. Using a flathead screwdriver tighten Cam Locks into Pins.

ASSEMBLY

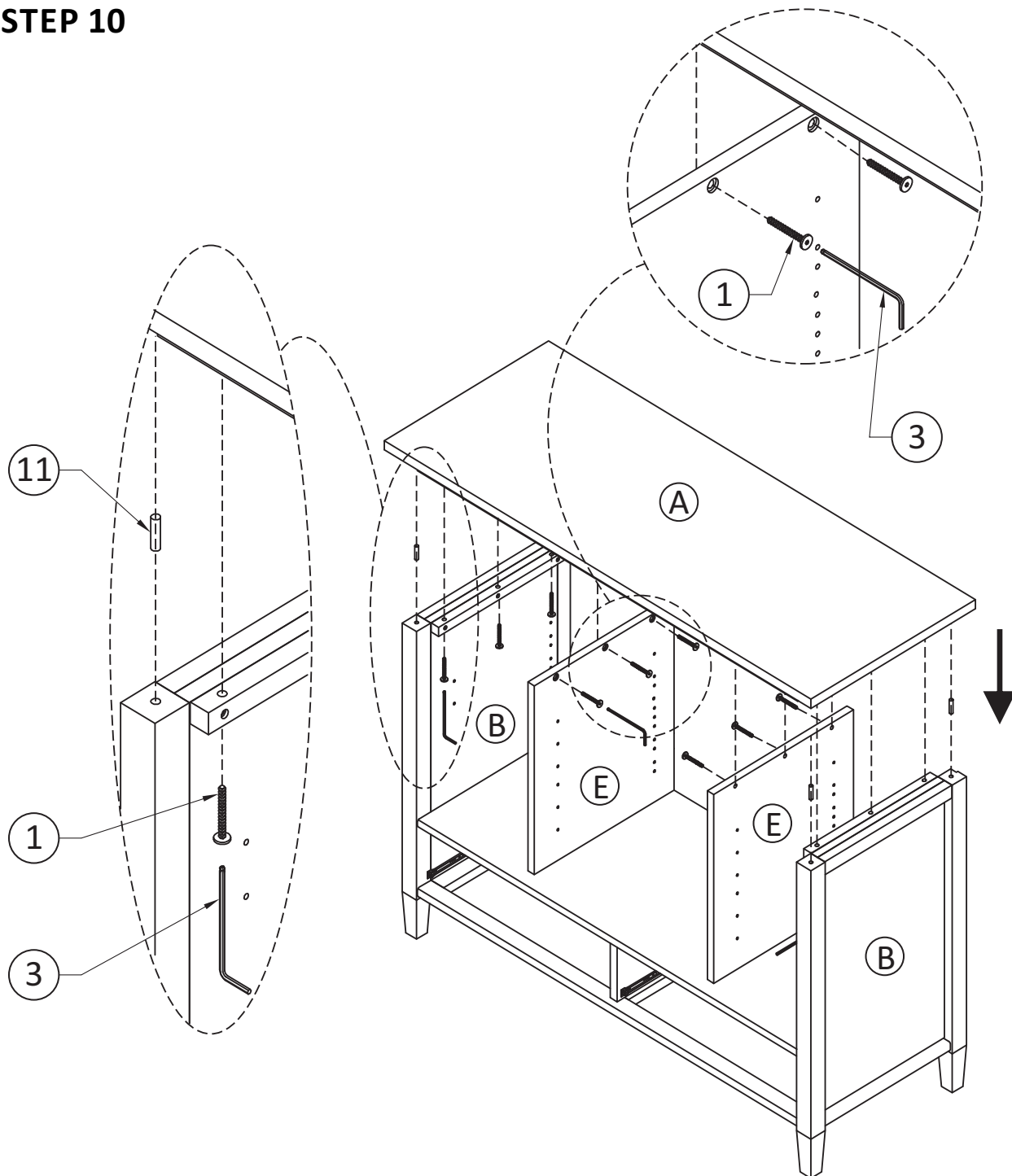
STEP 9



1. Attach Bottom Support (D) to Sides (B) and Centre Drawer Glide (G) using Allen Key Screws (1) through pre-drilled holes.
2. Use Allen Key (3) to tighten. Do not over-tighten.

ASSEMBLY

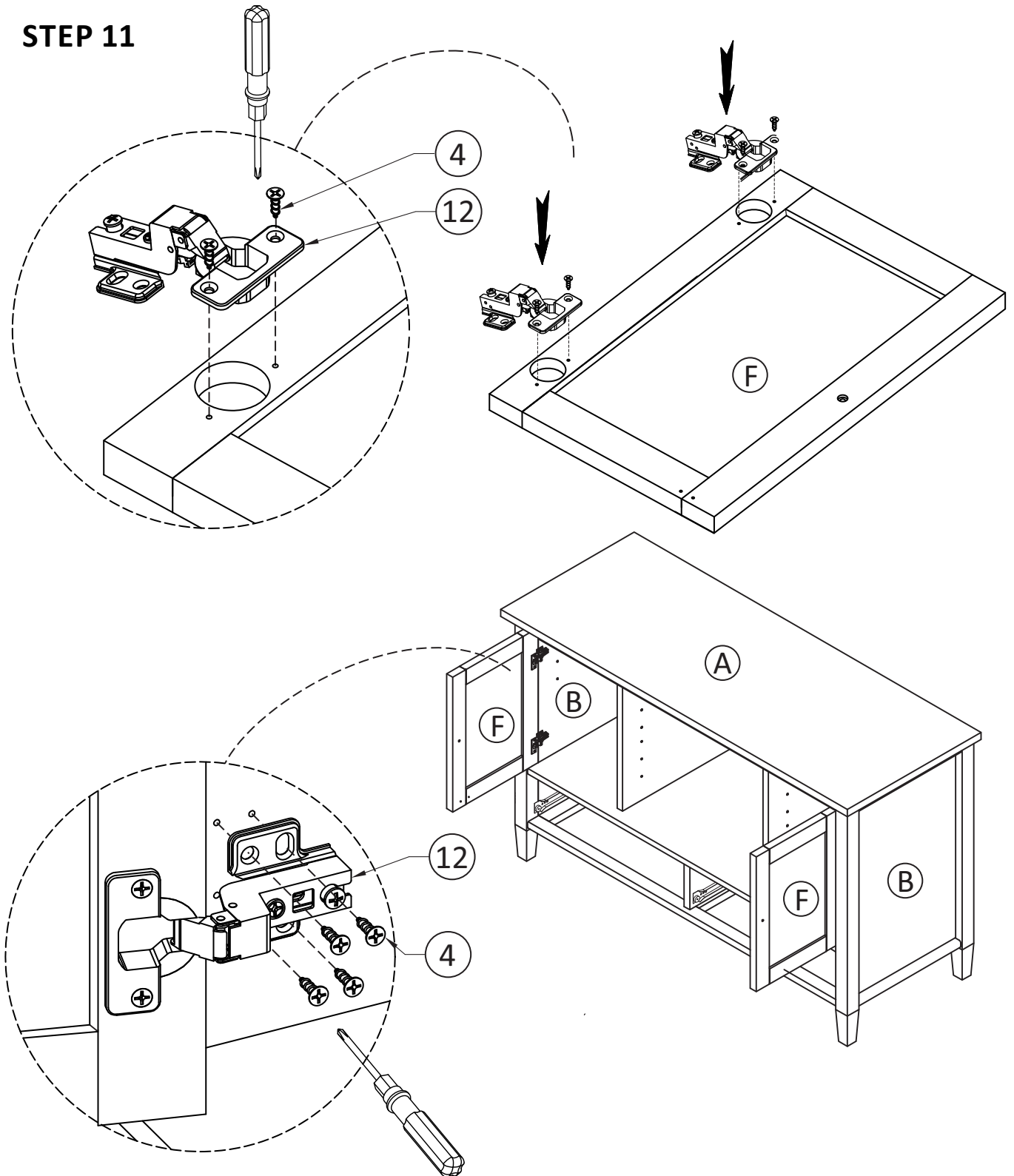
STEP 10



1. Insert two Dowels (11) into top corners of each Side (B).
2. Use rubber mallet to tap Dowels (11) into bottom of holes securely. 1/2 length of Dowels should be exposed.
3. Align pre-drilled holes on bottom corners of Top (A) with Dowels (11) in Sides (B).
4. Insert Dowels into top.
5. Using Allen Key Screws (1) attach Top (A) to Sides (B) and to Shelf Sides (E).

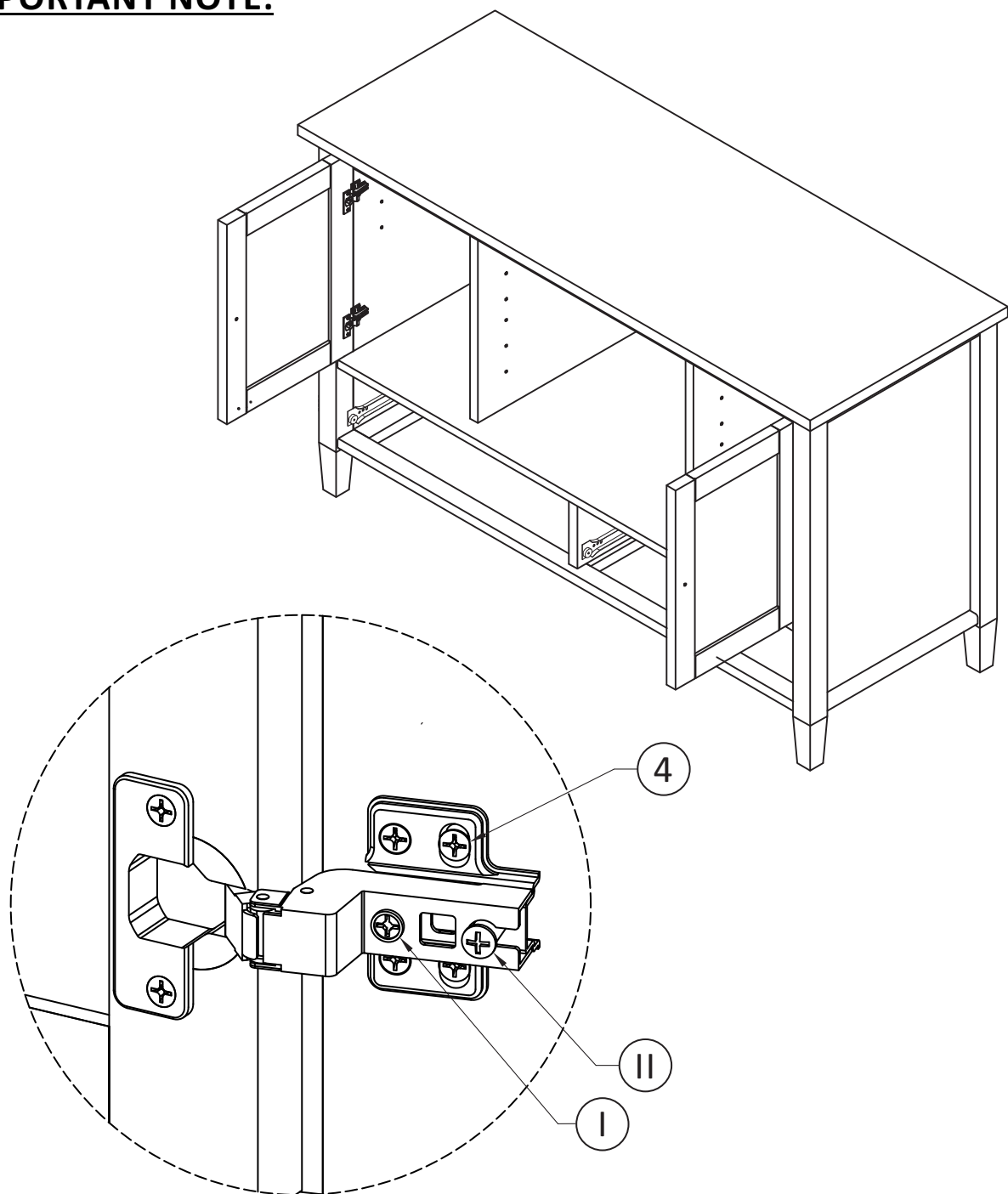
ASSEMBLY

STEP 11



1. Attach Adjustable Hinges (12) to Doors (F) using Phillips Screws (4) into guide holes on Doors (F).
2. Attach Adjustable Hinges on Doors (F) to Sides (B) using Phillips Screws (4) into guide holes on Sides (B).
3. Use a Phillips screwdriver to tighten screws. Do not over-tighten.

IMPORTANT NOTE:



Tighten the Screw marked (II) to fasten hinge. The door may need to be adjusted so that all the spaces between the door and the unit sides are equal. To adjust, follow instructions:

1. Side adjustment 4 mm

To move the door towards the side panel, loosen screw (I) and tighten screw (II) .

To move the door away from the side panel, loosen screw (II) and tighten screw (I) .

2. Depth adjustment 4 mm

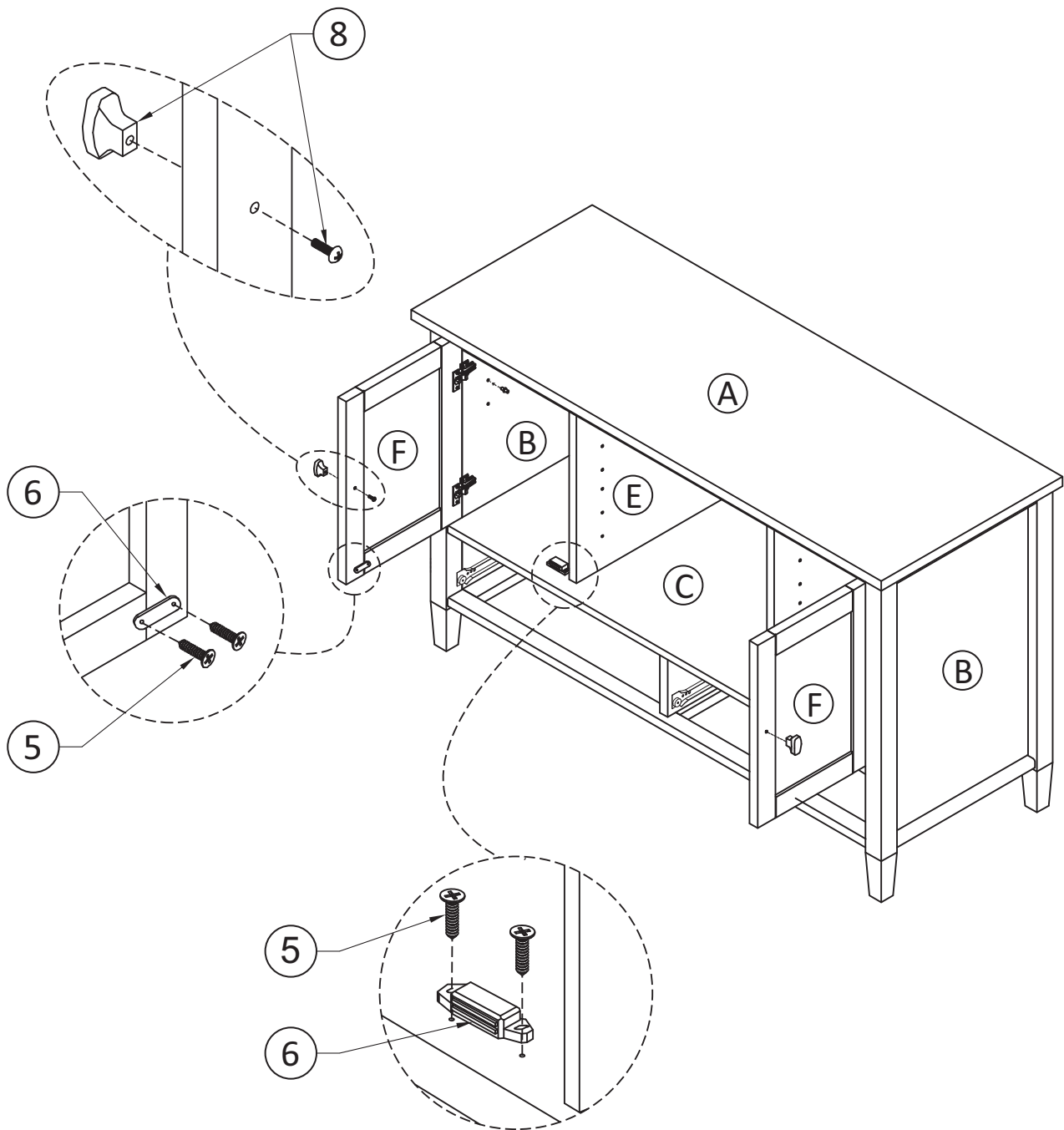
Loosen screw (II) (just one turn), adjust door to desired position, re-tighten screw .

3. Height adjustment

Loosen screw (4) , adjust door to desired position, re-tighten screw .

ASSEMBLY

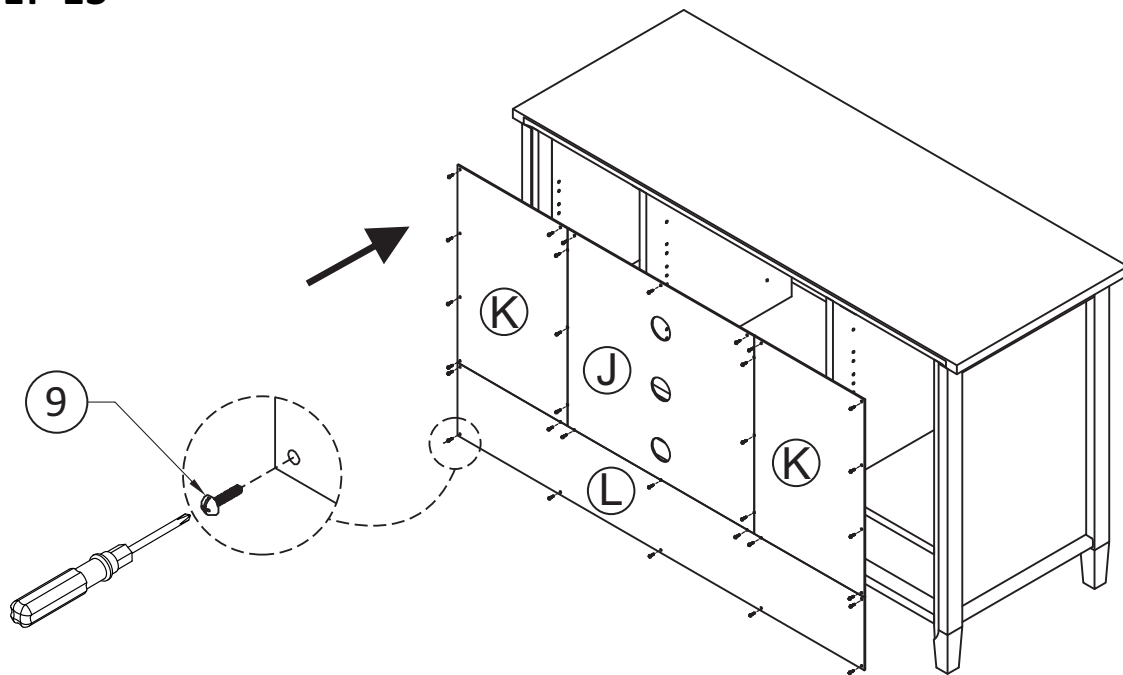
STEP 12



1. Attach Magnet Plates (6) to bottom corner of Doors (F) using Phillips Screws (5) into guide holes on Doors (F).
2. Attach Magnet (6) using Phillips Screws (5) into guide holes on Centre Shelf (C).
3. Use a Phillips screwdriver to attach Handles (8) to Doors (F).

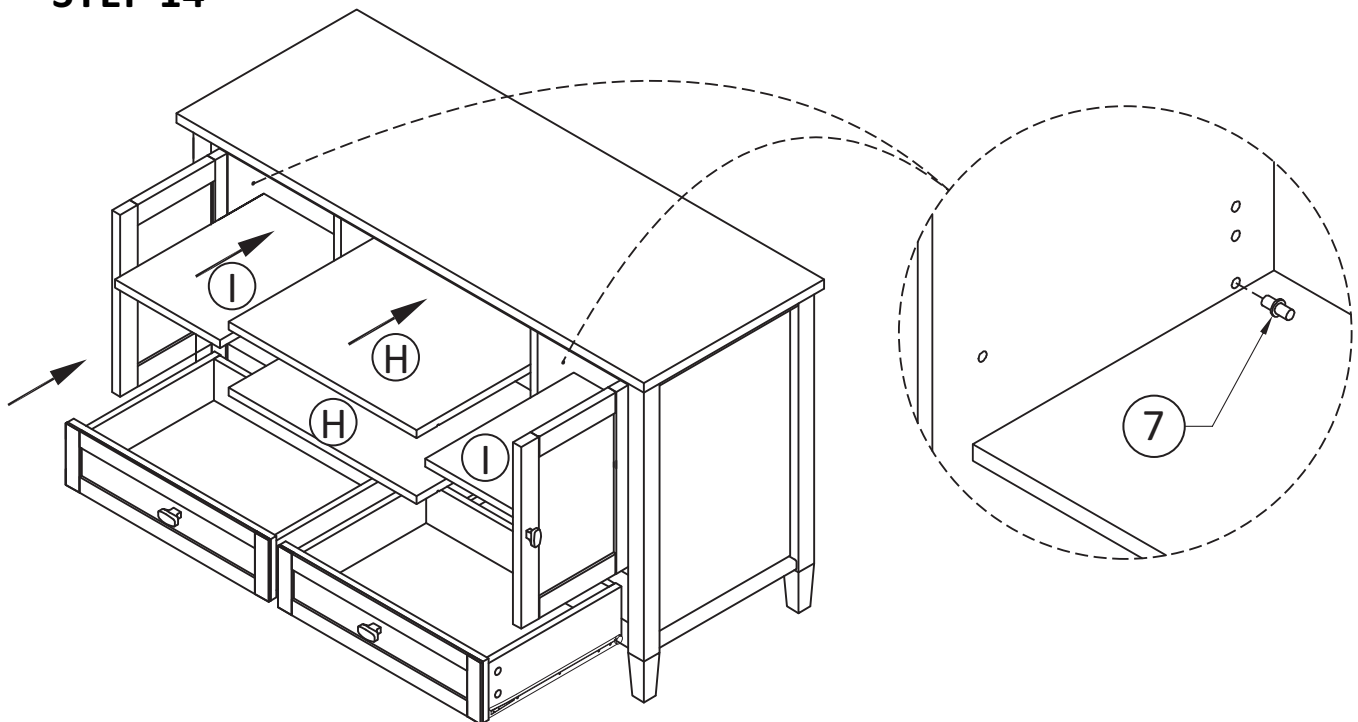
ASSEMBLY

STEP 13



1. Using Phillips Round Head Screws ⑨ attach Back Panels ① ② ③ to back of TV Stand.

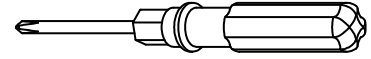
STEP 14



1. Use Shelf Supports ⑦ for each Shelf ④ or ⑤ in desired location.
2. Two Shelf Supports ⑦ may be used on back top of each Shelf ④ or ⑤ as a tipping restraint.

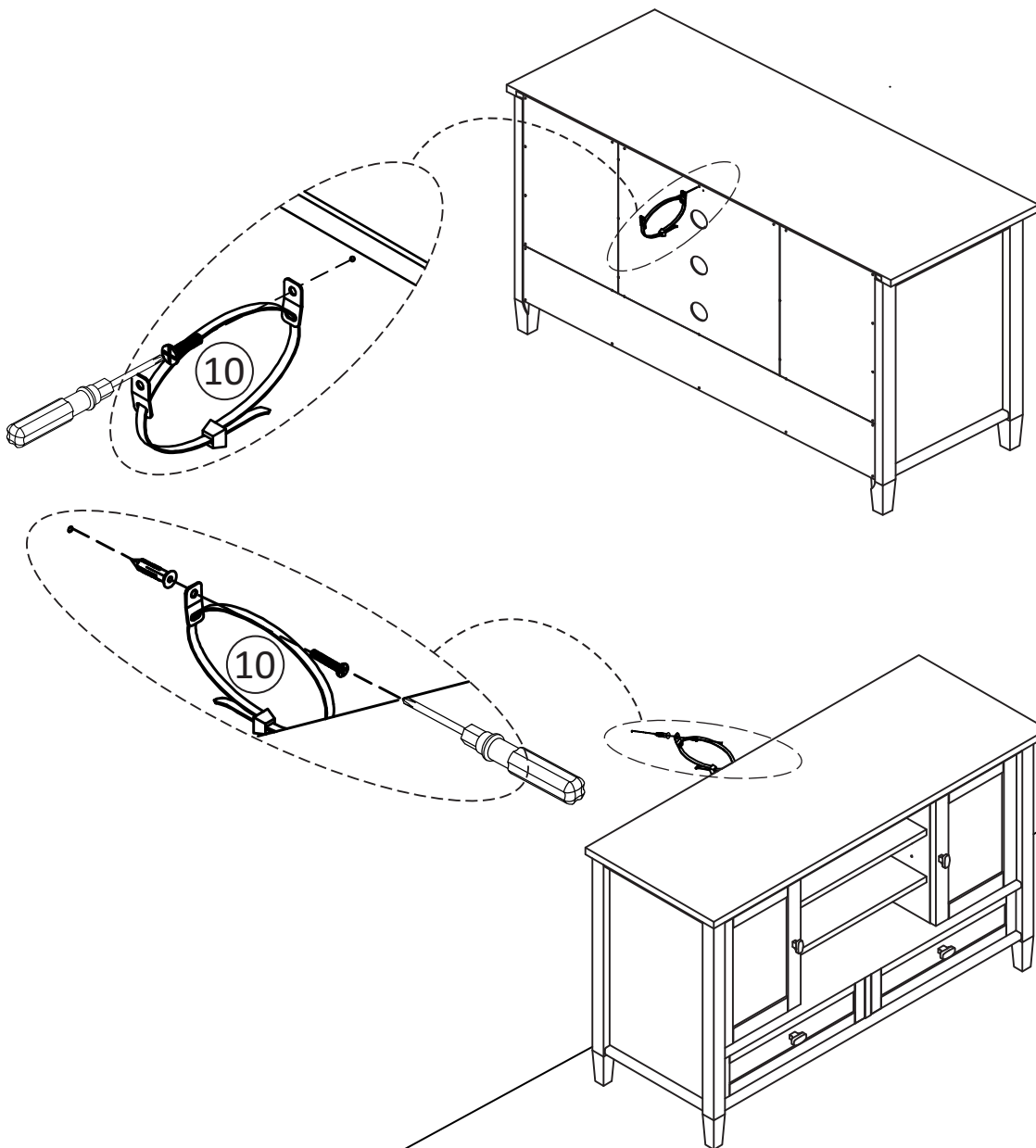
FURNITURE ANTI-TIPPING RESTRAINT ASSEMBLY

NOTE: Injuries and damage can occur from furniture tip-over. It is important to use the safety bracket included. If the tipping restraint kit is not in the box, please contact our customer service department in order to obtain another kit before using the furniture.



NOTE: The screwdriver is not included in the hardware pack.

STEP 15



FURNITURE ANTI-TIPPING RESTRAINT ASSEMBLY

Furniture Anti-Tipping Restraint Instructions:

1. Attach one of the mounting brackets securely to the back edge of the furniture. Use the shorter screw.
 2. Determine where furniture is to be placed and mark location on the wall for mounting bracket screw hole approximately 2 inches below the bracket mounted to the furniture.
 3. Drill a 3/16 inch hole in the wall. Press the plastic anchor into the hole and gently tap until the flange on the anchor is against the wall surface.
 4. Position the bracket over the anchor and use the longer screw to securely attach the bracket to the wall.
 5. Place the furniture so the back edge is in line with the bracket on the wall.
 6. Lace an end of the nylon restraint down through each bracket. Bring both ends together and slide the beaded end of the strap through the keyhole shaped slot in the other end until snug. Pull down on the beaded end until it snap locks into the keyhole slot.
 7. To double lock, return the beaded end back through the keyhole as shown.
 8. Check to make sure the strap is securely laced and locked to the brackets.
- **DO NOT** place heavy objects in top drawers
 - **DO NOT** let children climb or hang on drawers, doors or shelves

WARRANTY

Thank you for purchasing our product. These products have been made to demanding, high-quality standards and are guaranteed for domestic use against manufacturing faults for a period of 12 months from the date of purchase. This warranty does not affect your statutory rights.

In case of any malfunction of your product (failure, missing parts, etc.) please contact us at our toll free service line or by email

We reserve the right to repair or replace the defective product, at its discretion.

This product is guaranteed for 12 months if used for normal purposes. Any warranty is invalid if the product has been overloaded or subject to neglect, improper use or an attempted repair by other than an authorized agent. Heavy-duty or daily professional/commercial usage are not guaranteed.

Due to continuous product improvement, we reserve the right to change the product specifications without prior notice.