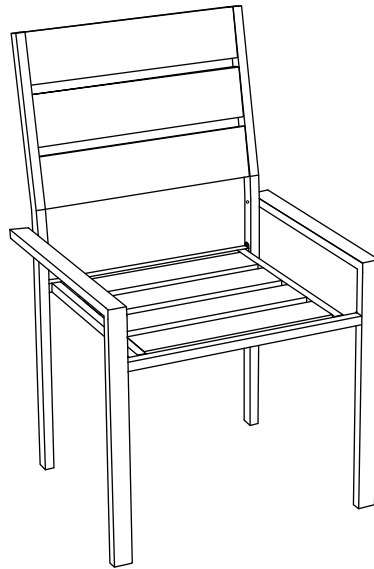


ASSEMBLY INSTRUCTIONS

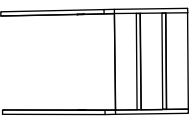
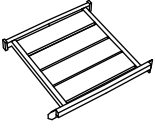
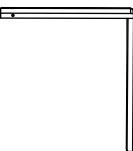
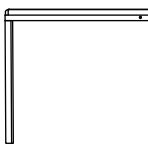

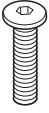




Dining Chair



Attention

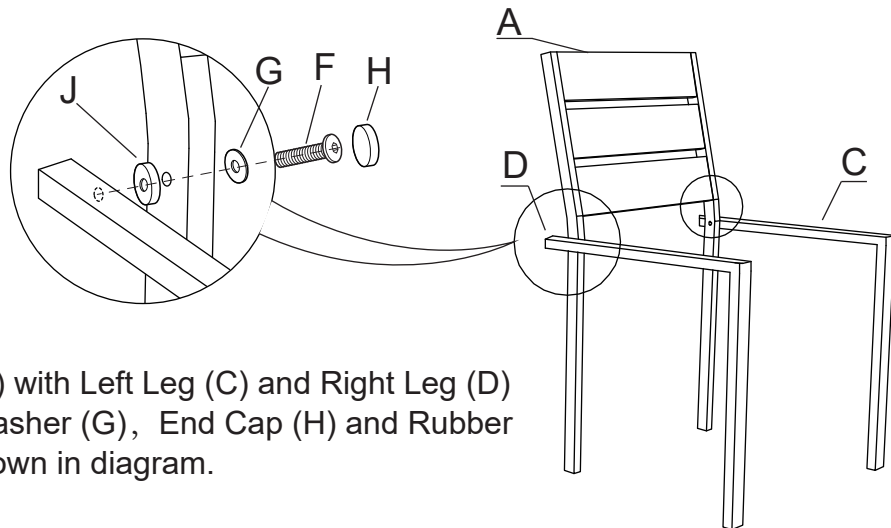
1. THE PATIO DINING SET COMES WITH 4 SEPARATE BOXES AND MAY ARRIVE AT DIFFERENT TIME, PLEASE BE PATIENT!
2. All bolts should be hand tightened securely before use. Never use power tools or excessive force during assembling and tightening of bolts.
3. Please check the part list carefully and contact us if there is any problem. We recommend to assemble with 2 people.

Parts List

A X2  Back	B X2  Seat	C X2  Left Leg	D X2  Right Leg	E X20  M6x20 Bolt
F X4  M6x45 Bolt	G X24  Washer	H X24  End Cap	I X1  Allen Key	J X4  Rubber washer

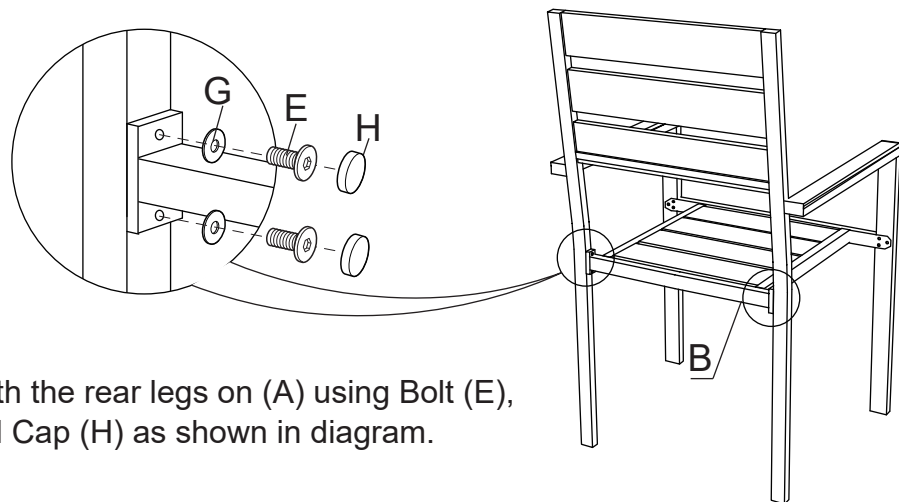
Assembly Guide

STEP 1



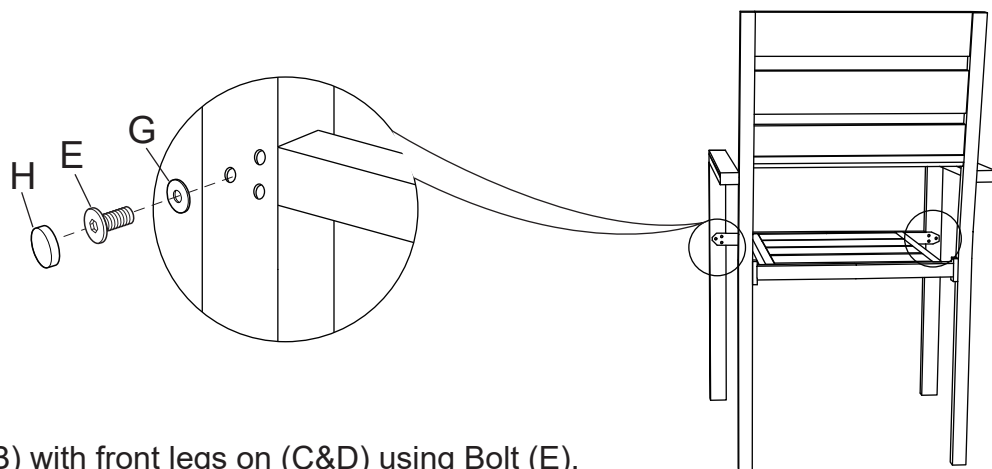
Connect Back (A) with Left Leg (C) and Right Leg (D) using Bolt (F), Washer (G), End Cap (H) and Rubber washer (J) as shown in diagram.

STEP 2



Connect Seat (B) with the rear legs on (A) using Bolt (E), Washer (G) and End Cap (H) as shown in diagram.

STEP 3



Connect Seat (B) with front legs on (C&D) using Bolt (E), Washer (G) and End Cap (H) as shown in diagram.