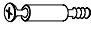

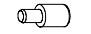
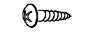
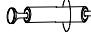
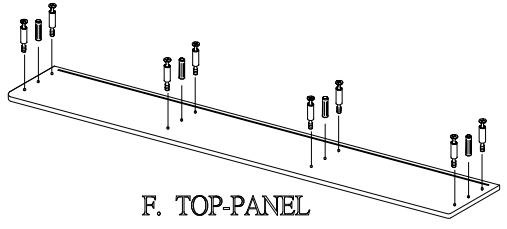
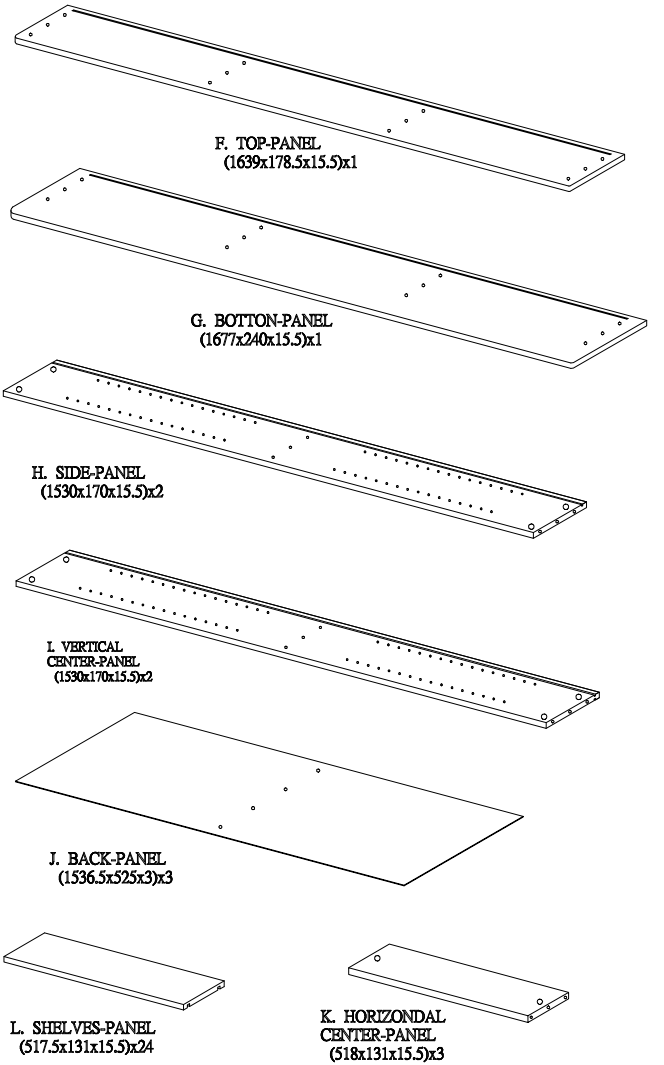
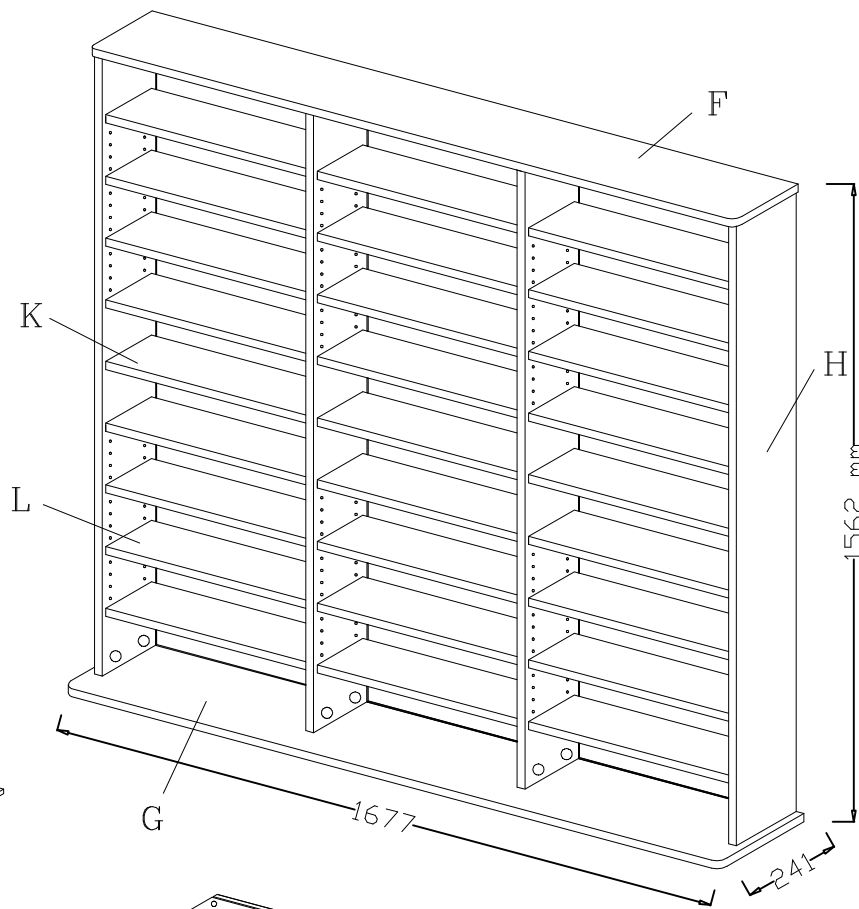
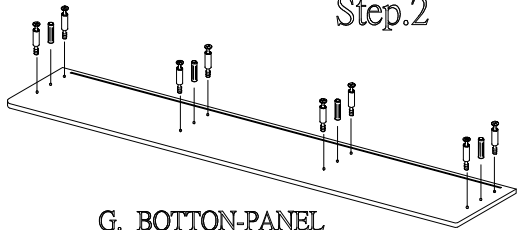


- A.  \*18
- B.  \*20
- C.  \*96
- D.  \*12
- E.  \*2



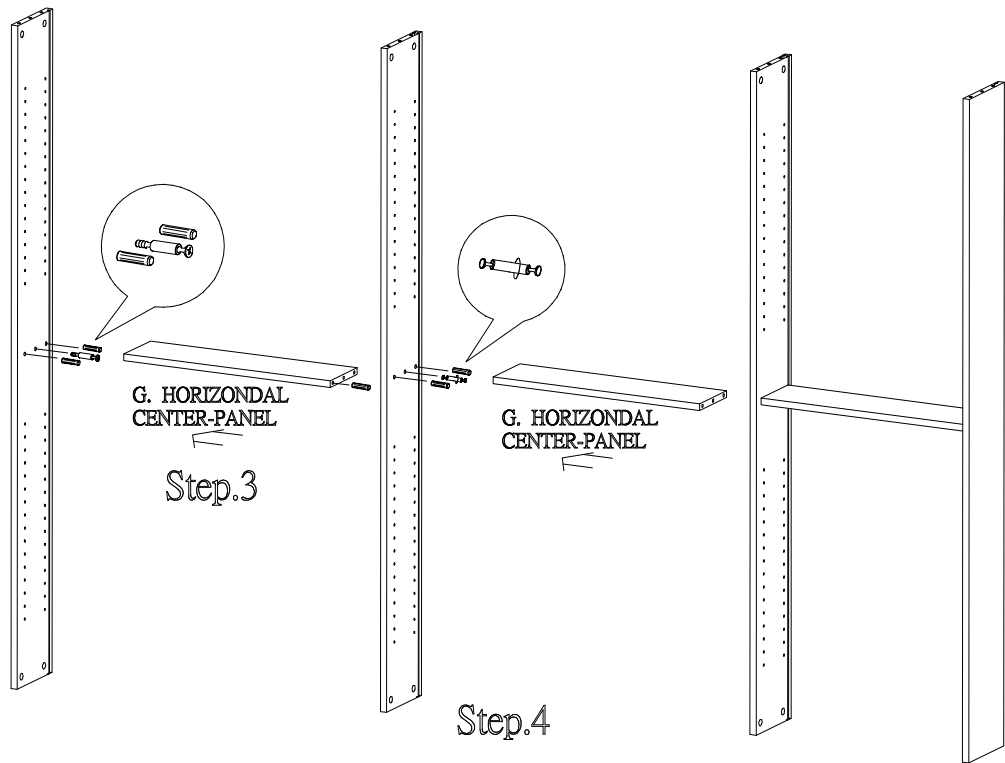
Step.2



Step.2

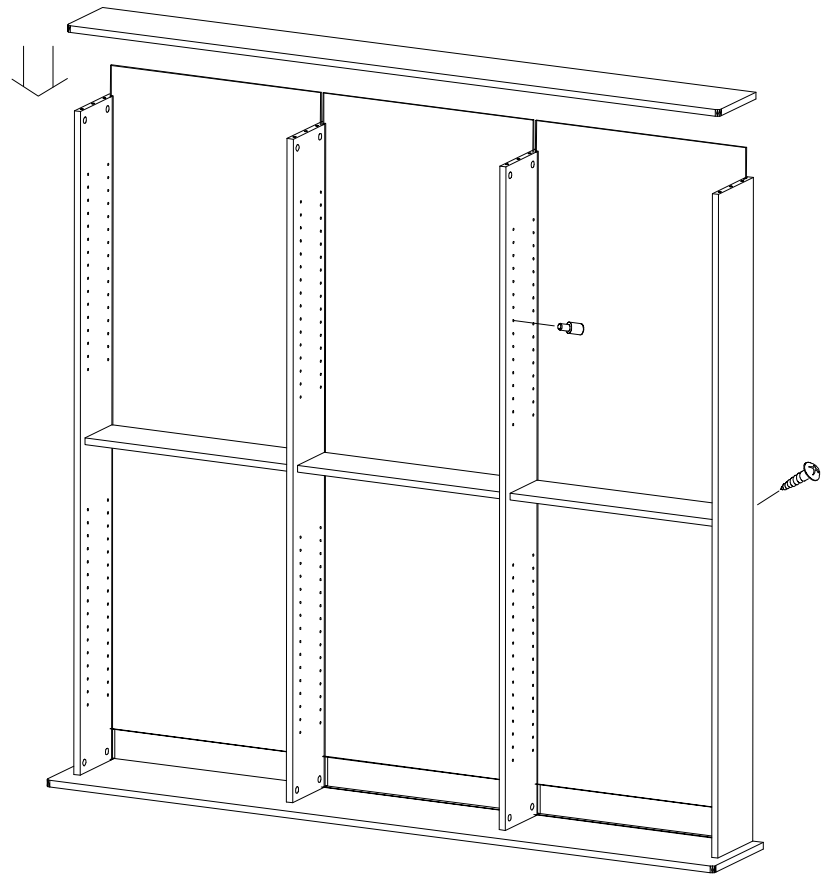
- A-cm
- F. TOP-PANEL x1
  - G. BOTTOM-PANEL x1
  - H. SIDE-PANEL x2
  - I. VERTICAL CENTER PANEL x2
  - J. BACK-PANEL x3
  - L. SHELVES-PANEL x3
  - K. HORIZONTAL CENTER-PANEL x3
- B-cm
- L. SHELVES-PANEL x24

Step.1

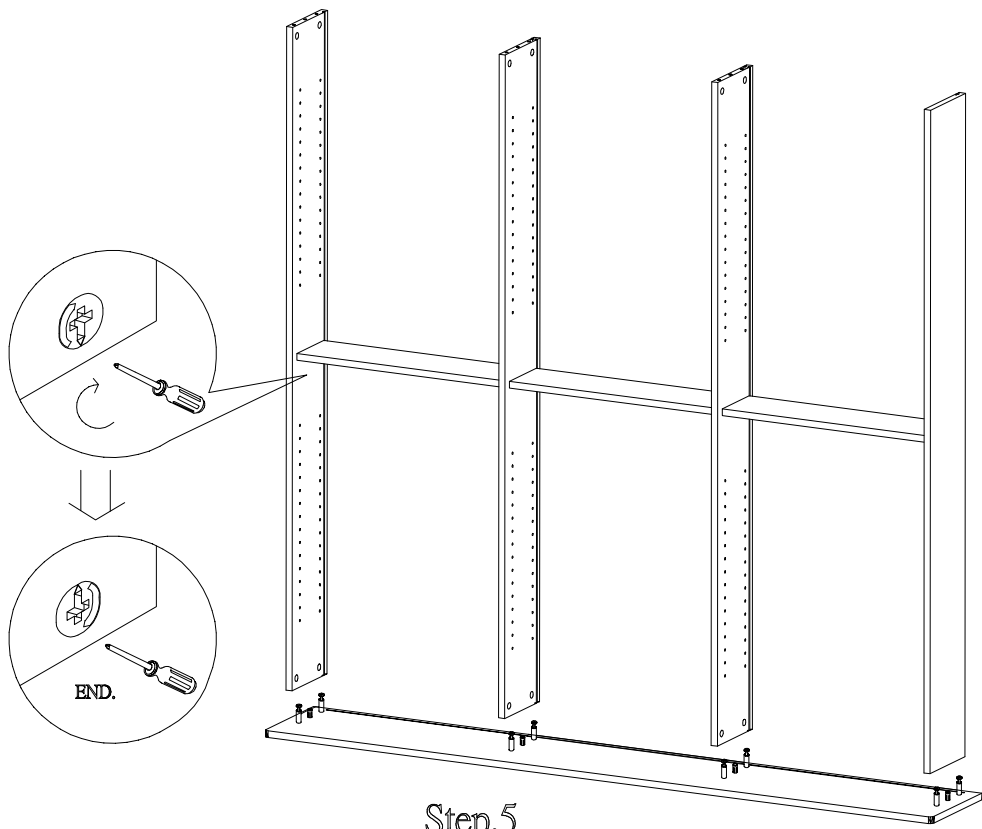


Step.3

Step.4



Step.6.7.8.



Step.5

#### ASSEMBLY INSTRUCTIONS

- STEP 1: Insert 1 (One) Bolt-Screw and 2 (Two) Wooden Dowels into the center of the 2 (Two) outer Side Panels.
- STEP 2: Insert 8 (Eight) Bolt-Screws and 4 (Four) Wooden Dowels into both the Top Panel and Bottom Panel.
- STEP 3: Insert one of the Horizontal Center Panels into the left outer Side Panel. Tighten Cam-Lock with screwdriver.
- STEP 4: Insert 2 (Two) Wooden Dowels into the end of the Horizontal Center Panel. Insert 1 (One) of the Vertical Center Panels onto the wooden dowels. Insert 1 (One) of the Two-Headed Connecting Bolts through the Vertical Center Panel and tighten Cam-Lock with screwdriver. Repeat the process with the second vertical center panel and the right outer Side Panel.
- STEP 5: Place assembled Vertical and Horizontal Panels into the Bottom Panel and lock into place by tightening the Cam-Locks.
- STEP 6: Slide the Back Panel into the recessed grooves.
- STEP 7: Place the Top Panel and tighten the Cam-locks with a screwdriver. Insert the 12 (Twelve) Small Screws into the pre-drilled holes in the back of the Back Panel and tighten them into the Horizontal Center Panels with a screwdriver.
- STEP 8: Insert Pegs and place Shelves. Shelf height can be adjusted to accommodate CD's, DVD's or Videocassettes.

END.