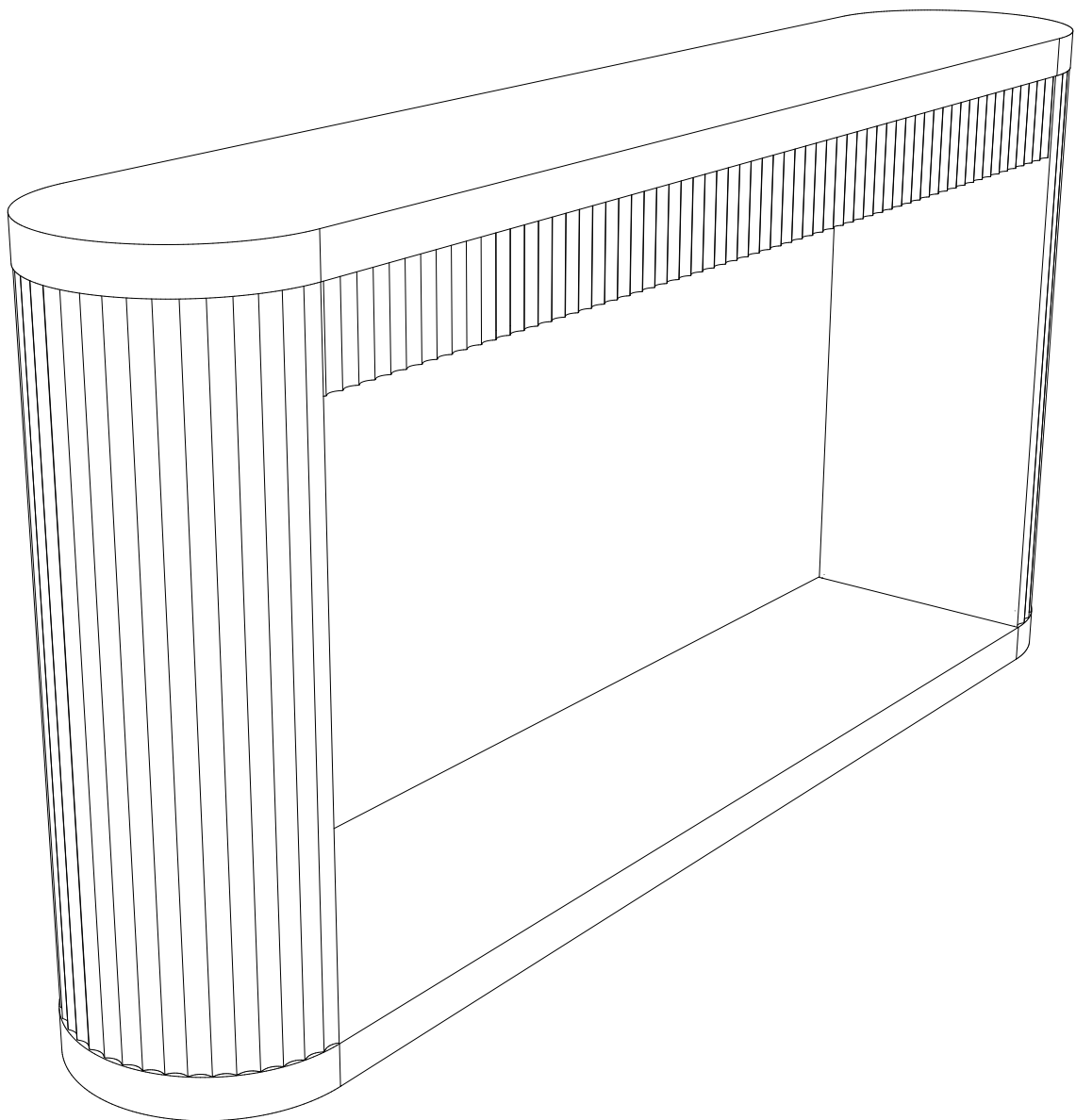


Tribesigns

DESIGNED FOR LIFE

Assembly Instructions



Porch table

Model No.
HOGA-F2169/F2260

 **LITTLE TREE**
Little Tree by Tribesigns
www.tribesigns.com

Contact Us

We're here to help you.




Your satisfaction is our top priority. If you encounter any issues with this product, such as missing or damaged parts, we're here to help. Please retain the original packaging and take photos of the packaging and the product, then contact us as soon as possible.

Warm Tips

1. Carefully read these instructions and keep them for future reference.
2. Check the parts list and confirm everything's there before starting assembly.
3. When assembling, put all parts on a soft, smooth surface like a carpet to avoid scratches.
4. Don't fully tighten screws until all parts are confirmed in place to avoid misalignment.

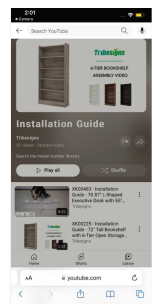
How to Get the Assembly Video

Step 1 Scan the QR code.



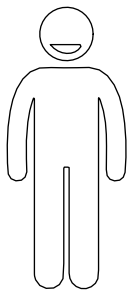
Installation Video

Step 2 Search with the Model No.
(on the bottom left corner of the title page)

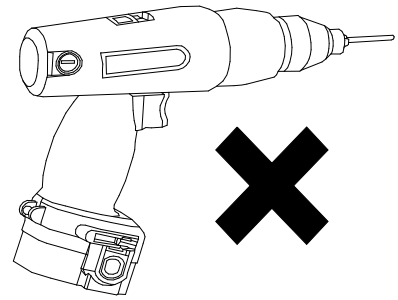
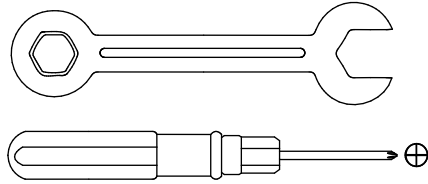


HOGA-F2169

Note: If you can't find the assembly video, please contact us.

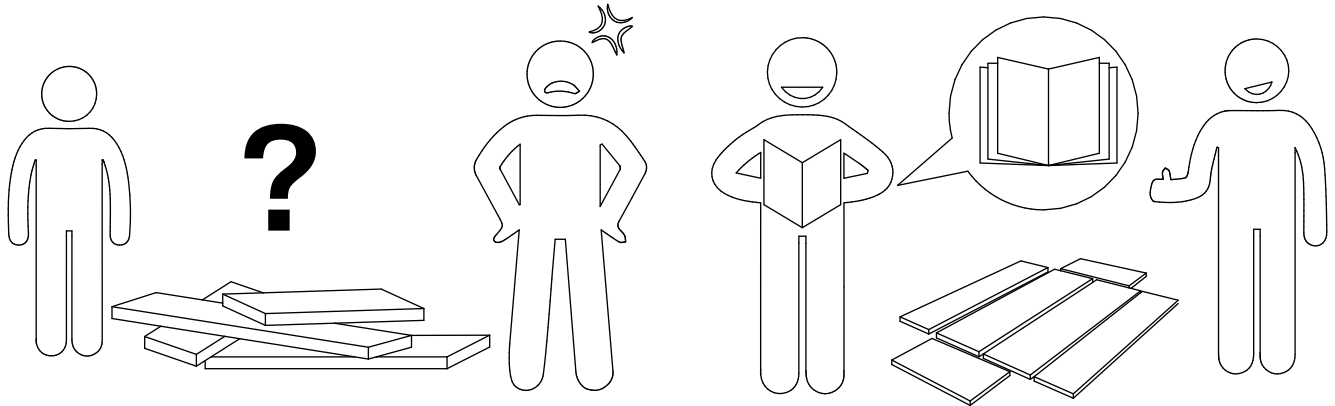


X2



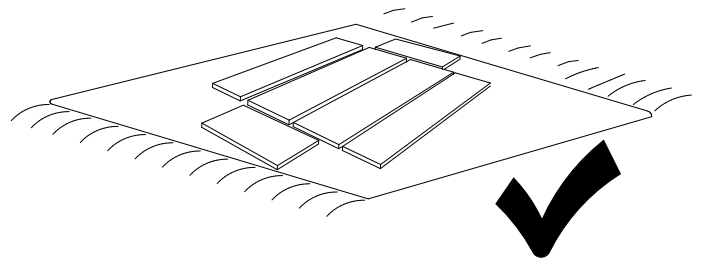
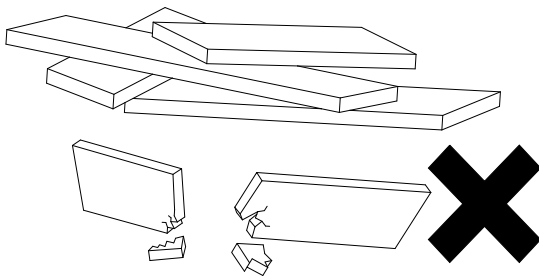
We recommend using hand tools for assembly.

If an electric screwdriver is used, reduce power and torque to avoid damage to the product.



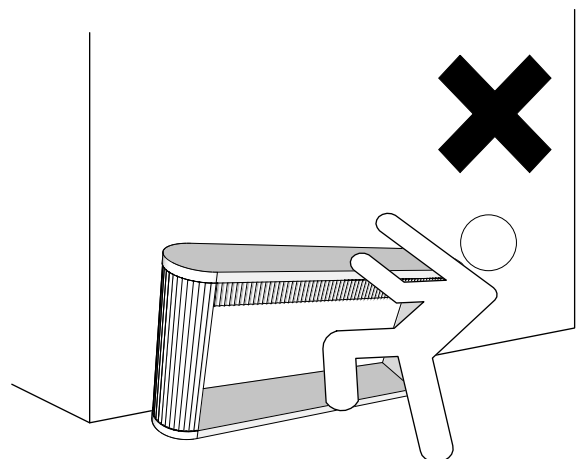
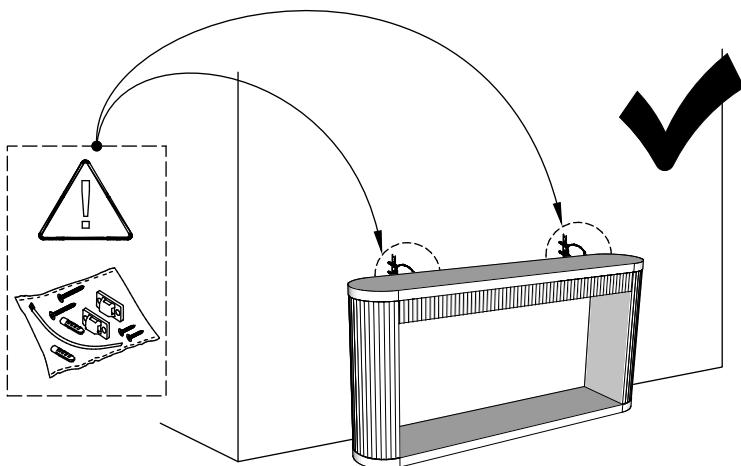
AVOID SCRATCHES

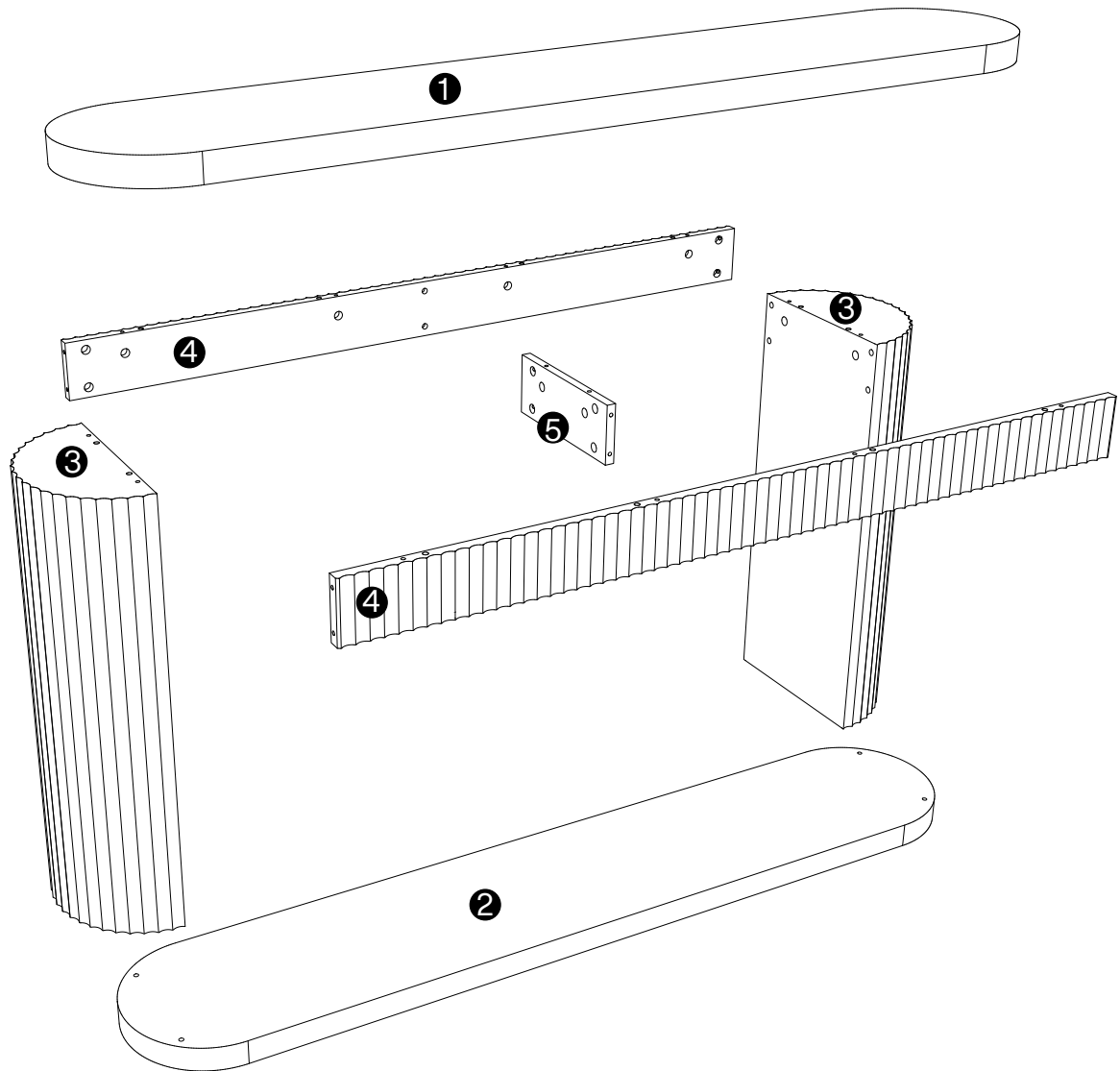
In order to avoid scratching, this furniture should be assembled on a soft surface, such as a rug.



Install the Anti-Tip Straps

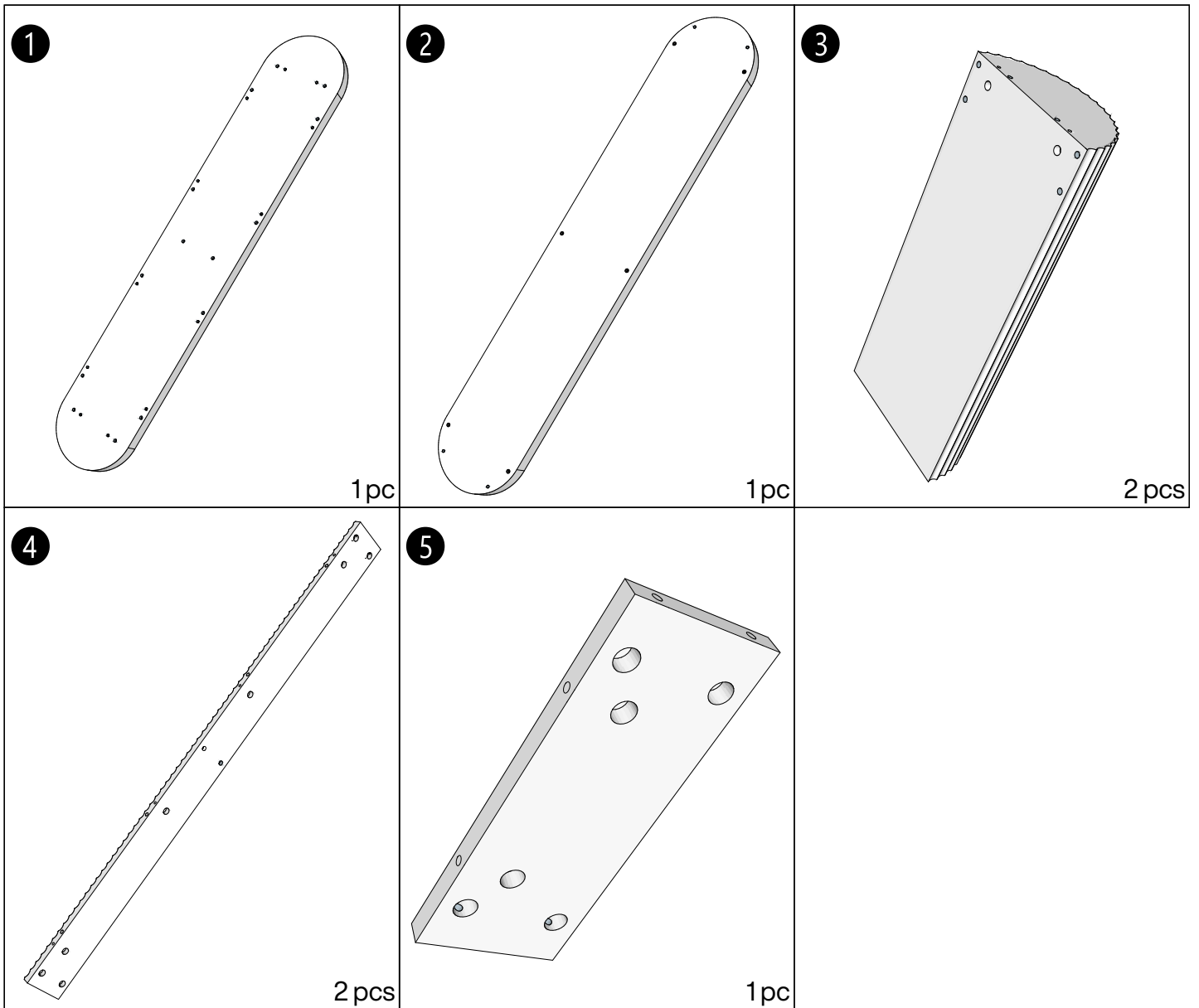
Using the anti-tip straps can reduce the risk of tipping over, but can not eliminate it.




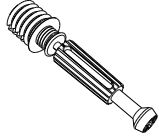
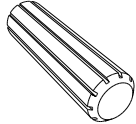
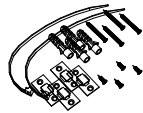

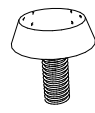

**⚠ Caution**

Make sure all parts are included. Most board parts are labeled or stamped on the raw edge. Contact us for a free replacement if you encounter any damaged or missing parts.

Parts List

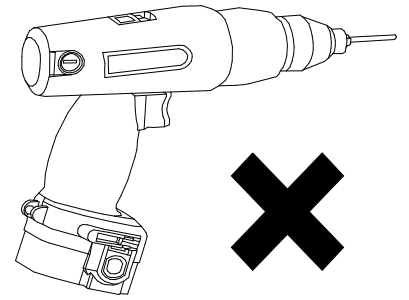


Hardware List

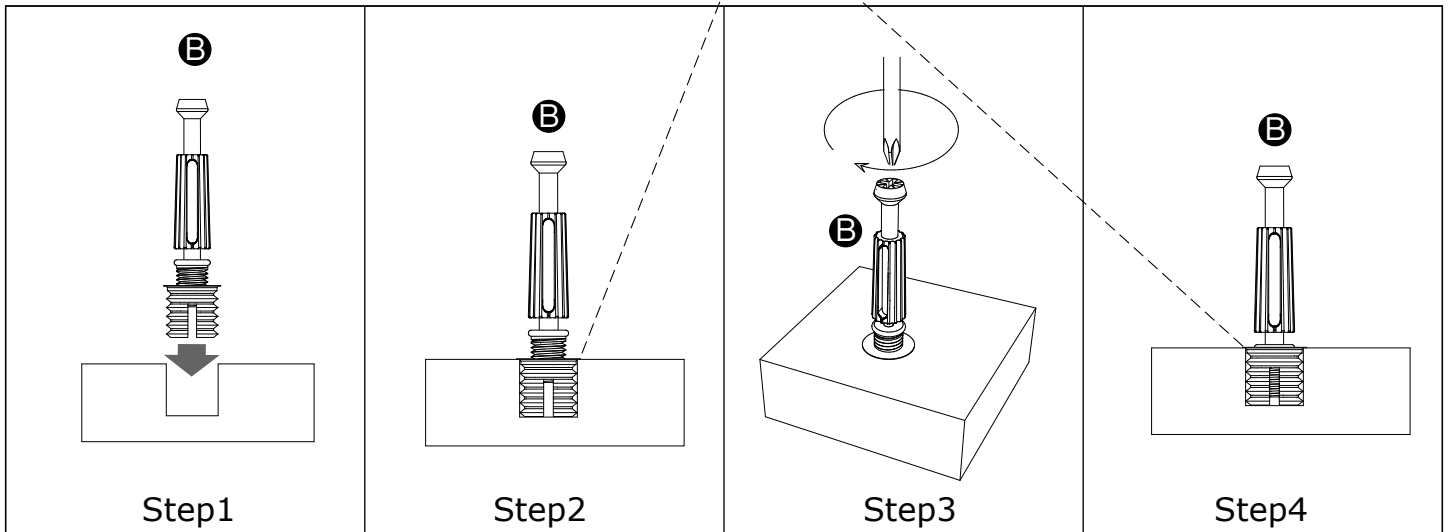
A	B	C	D	E	F	G
						
Ø15x12mm	M6x40mm	Ø8x30mm		M4		M6x60mm
26 pcs	26 pcs	12 pcs	1 pc	1 pc	6 pcs	4 pcs

Installation of Cams and Pins

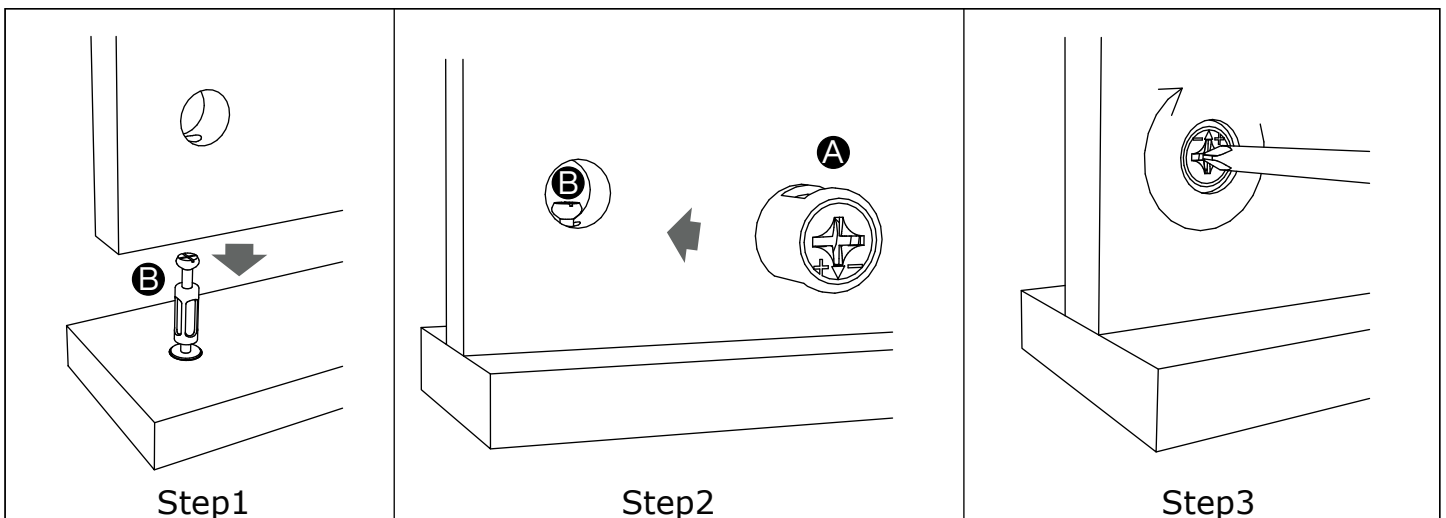
Read each step carefully before starting. Each step of instruction should be performed in the correct order. If these steps are not followed in sequence, assembly difficulties may occur.



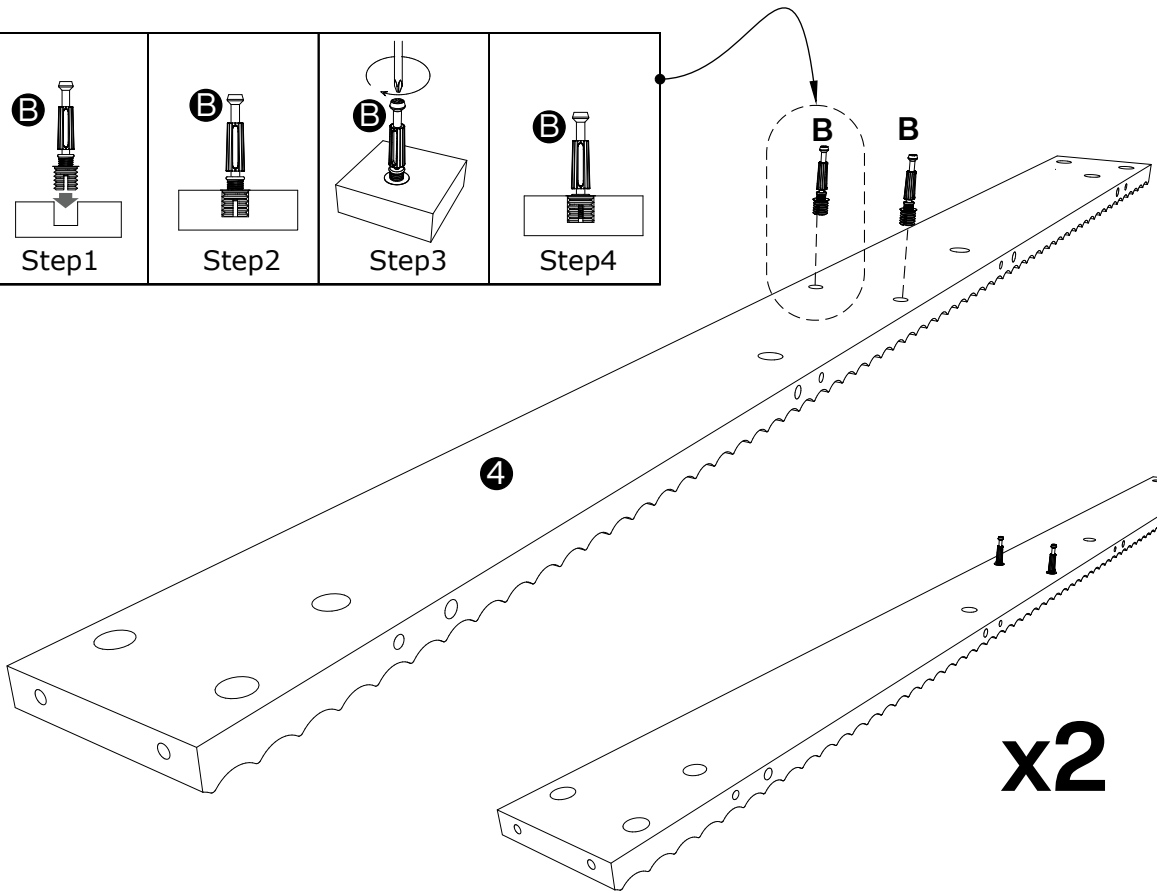
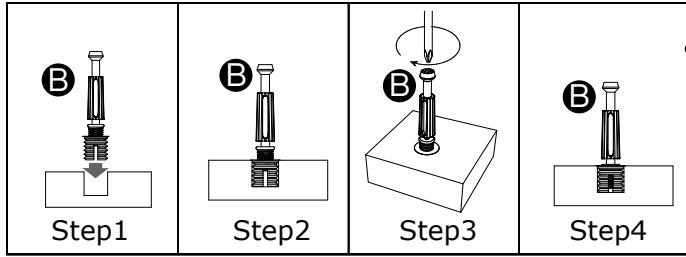
No gap



Screw the pin into the hole. Set the cams correctly by aligning the head of the cams with the lock pins. Lock the cam by turning the cam head with a screwdriver until it is tightened. Please do not use an electric screwdriver to assemble the unit.



1

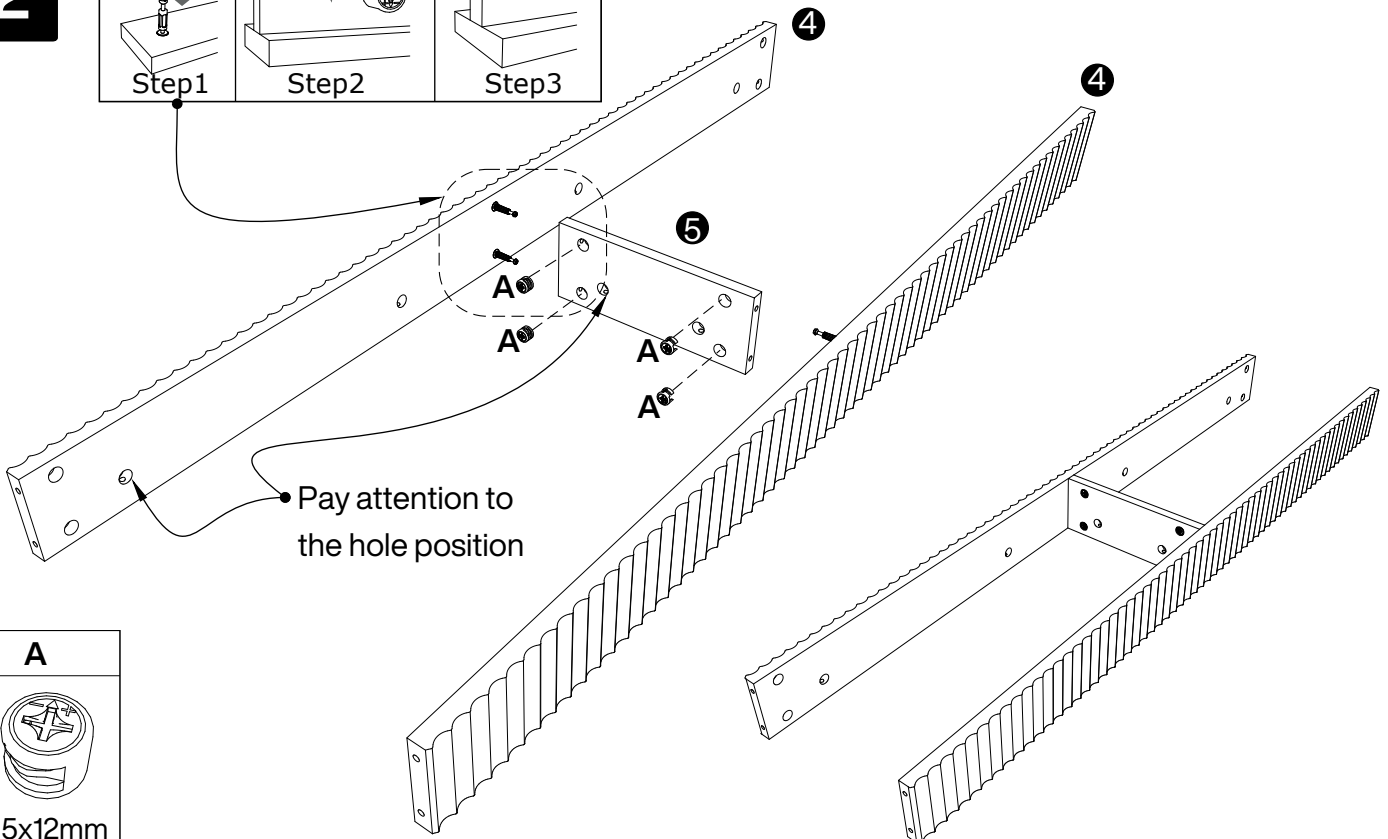
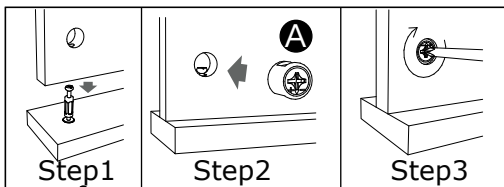



B

M6x40mm
4 pcs

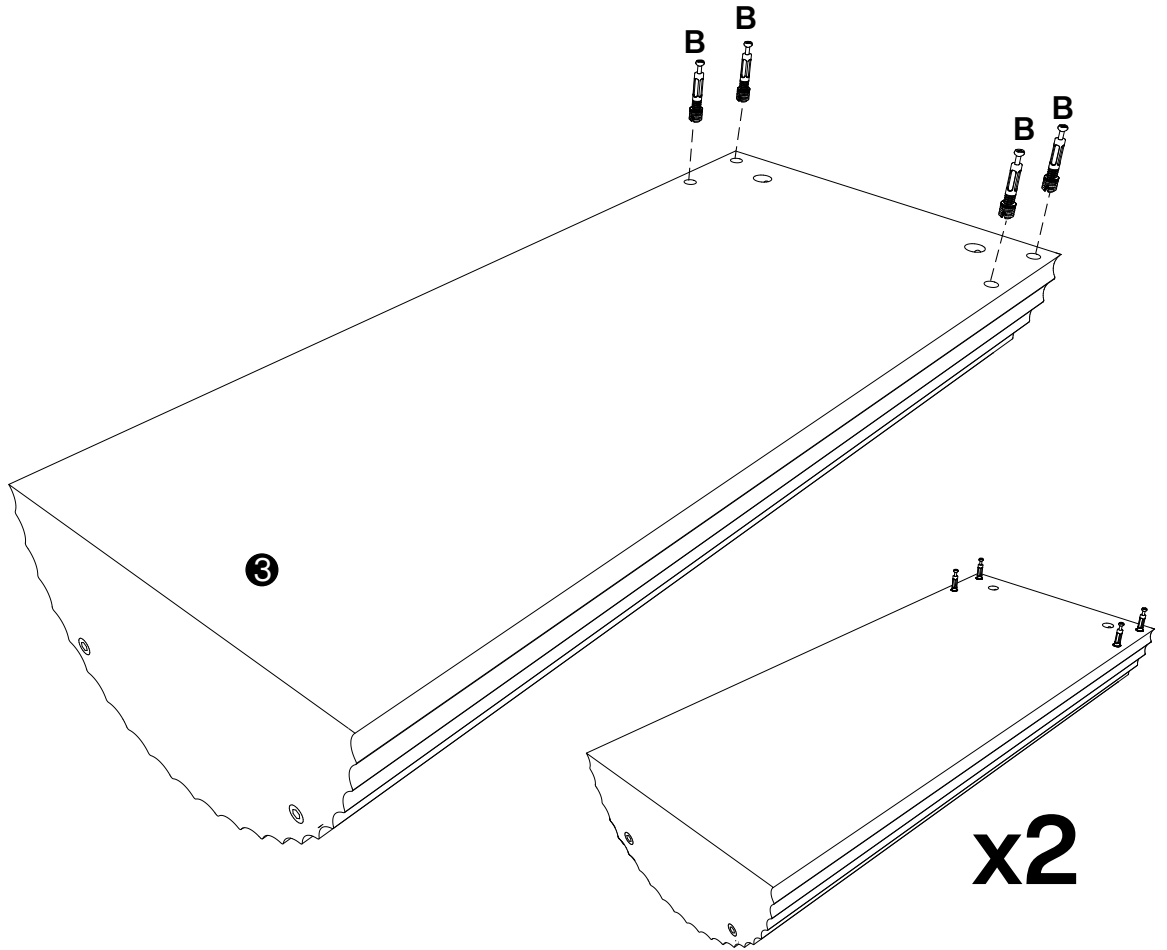
x2

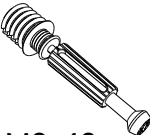
2



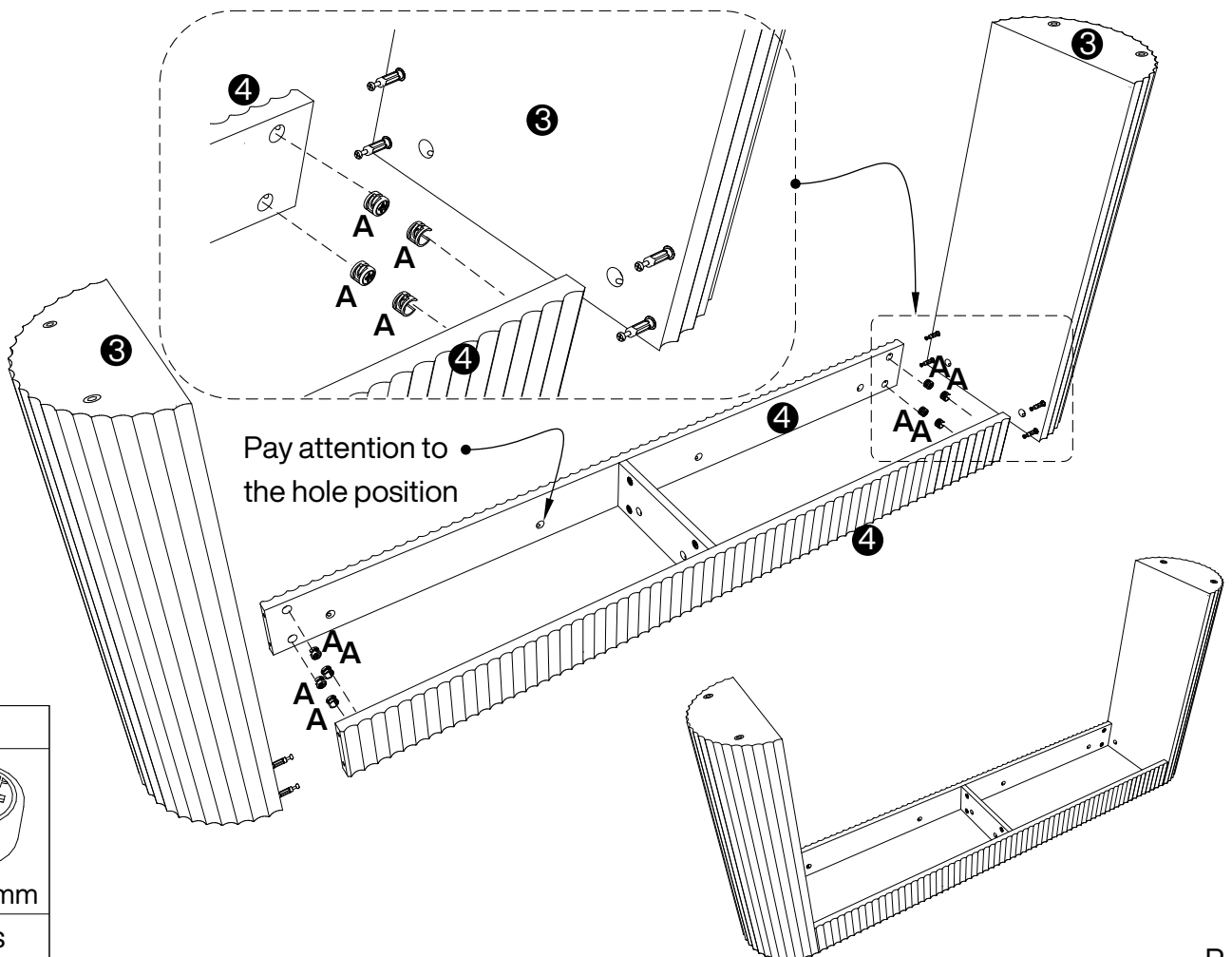
A

Ø15x12mm
4 pcs


3



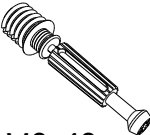
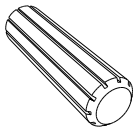
B

M6x40mm
8 pcs

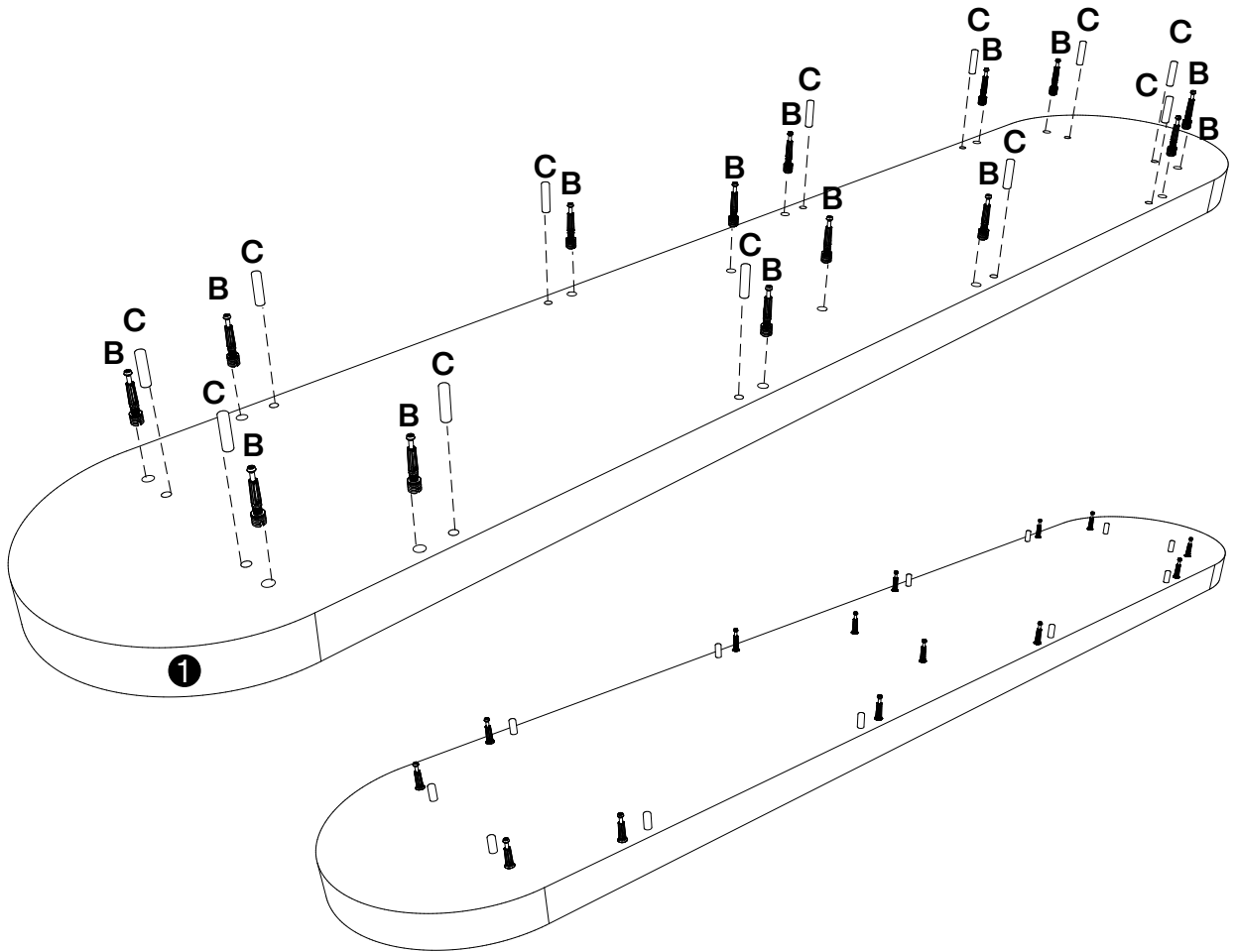
4



A

Ø15x12mm
8 pcs

5

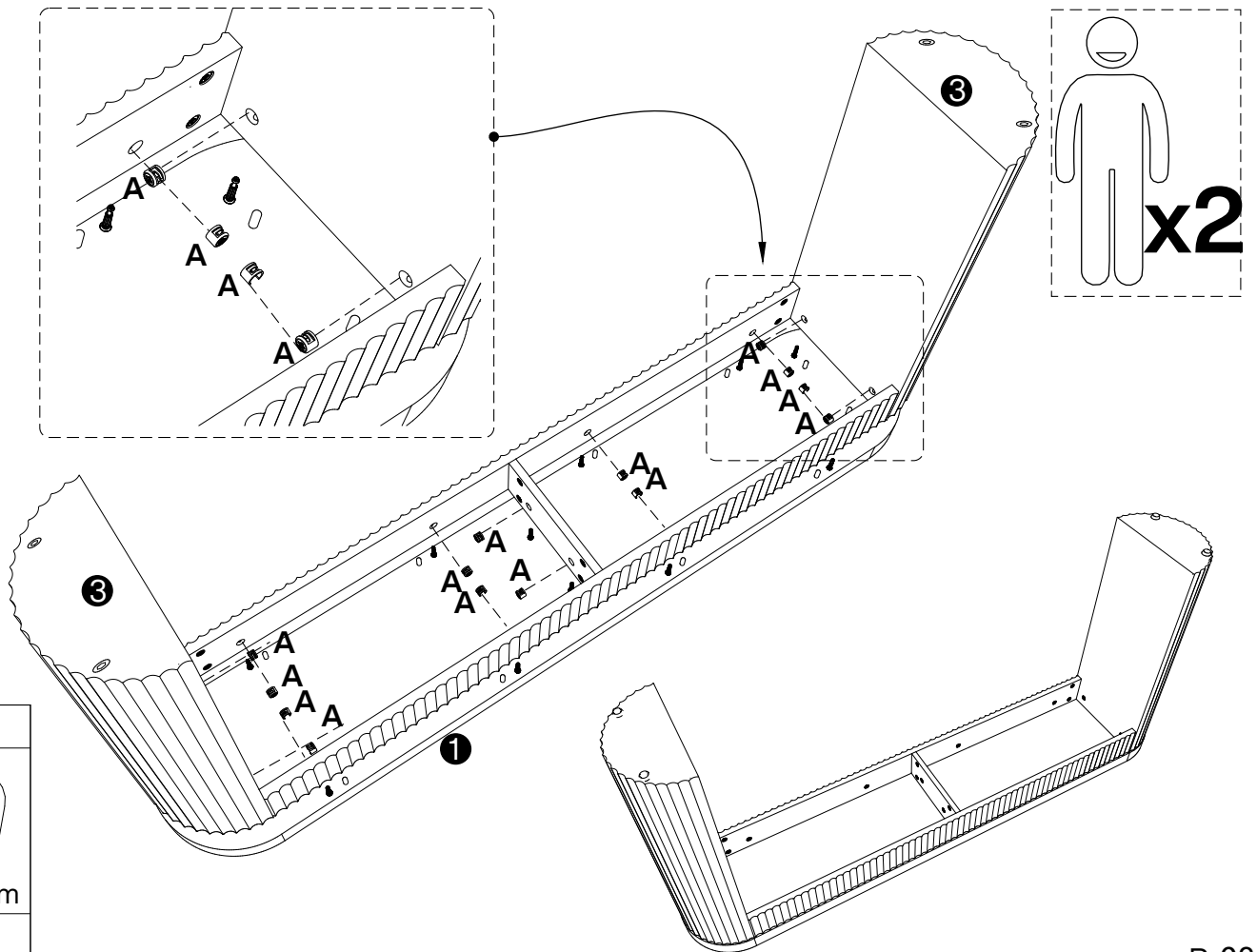
B

M6x40mm
14 pcs
C

Ø8x30mm
12 pcs



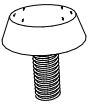

6

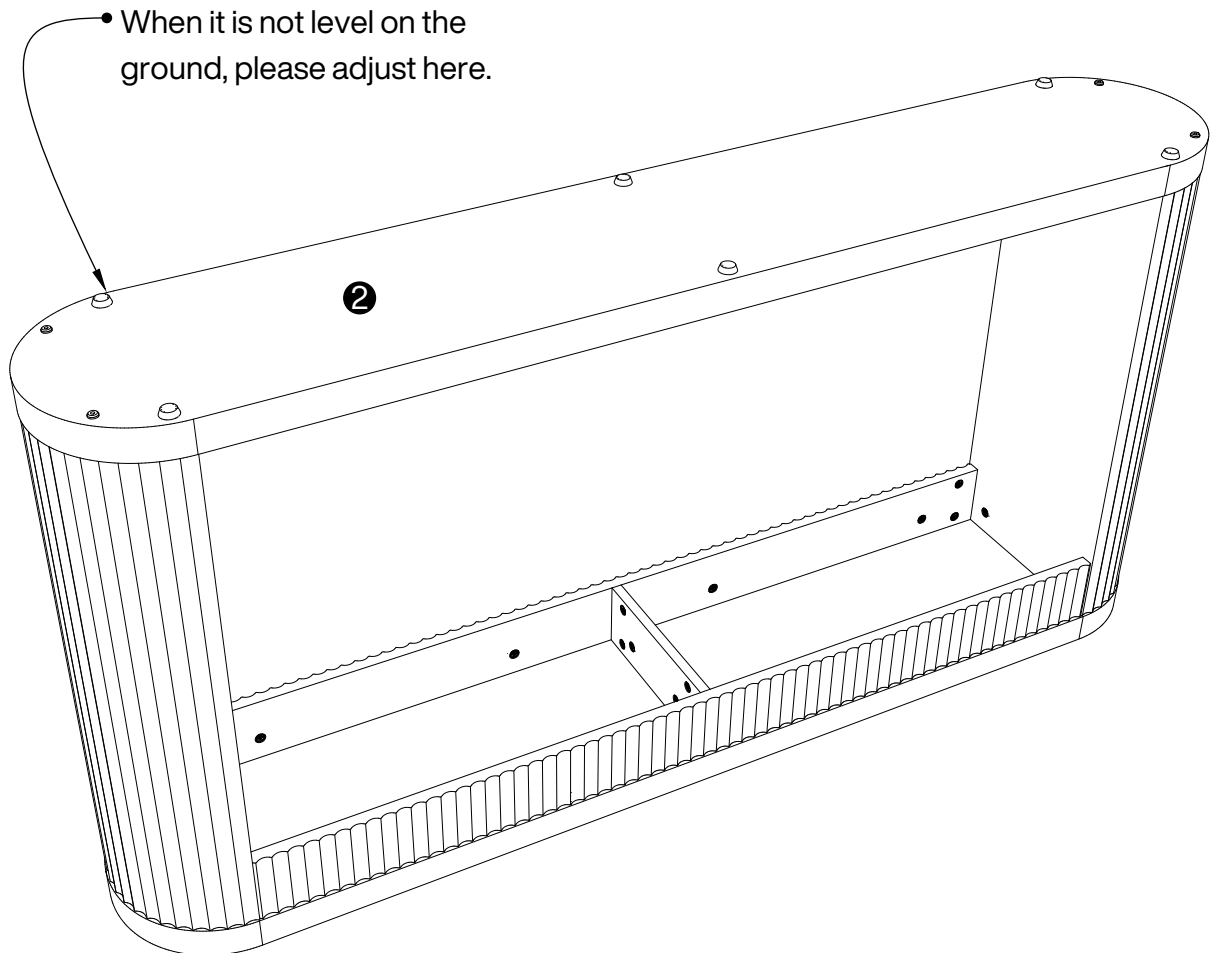
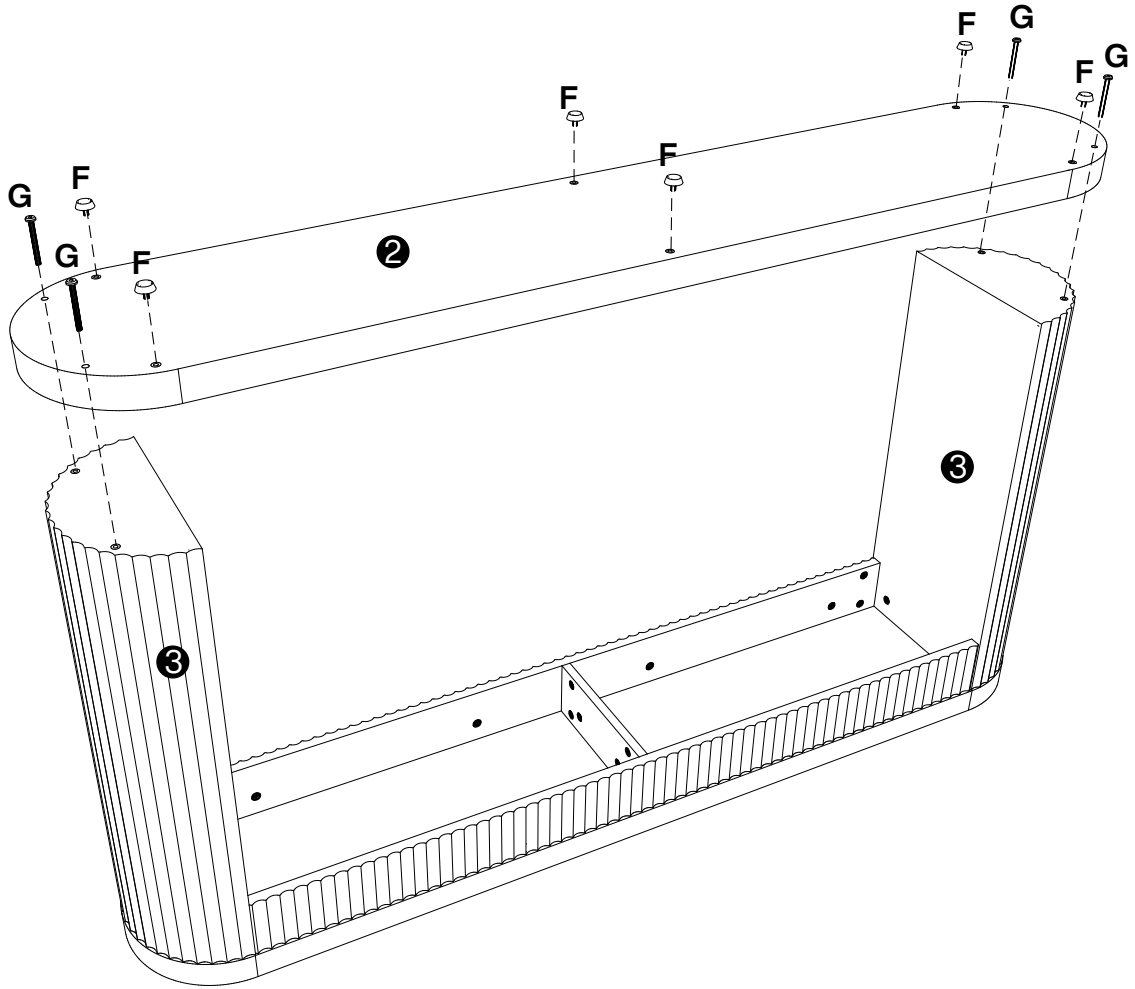
A

Ø15x12mm
14 pcs

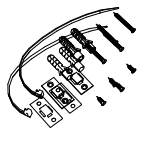


7

F

6 pcs
G

M6x60mm
4 pcs

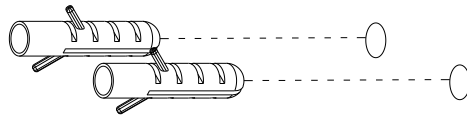


8

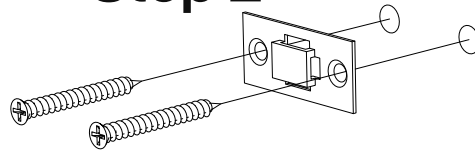
D

1pc

Wall

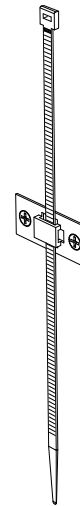
Step 1



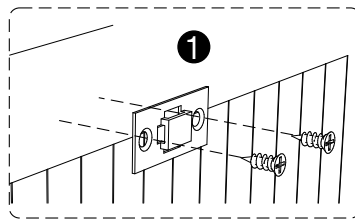
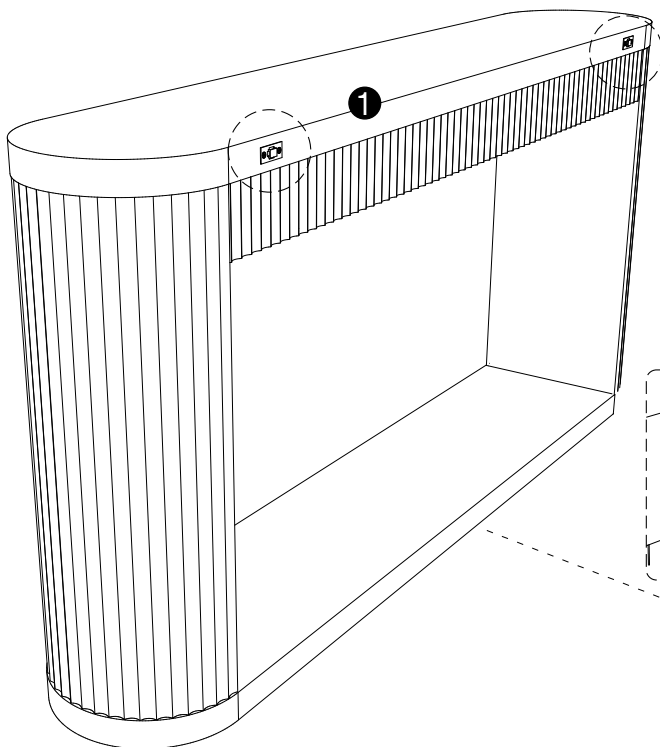
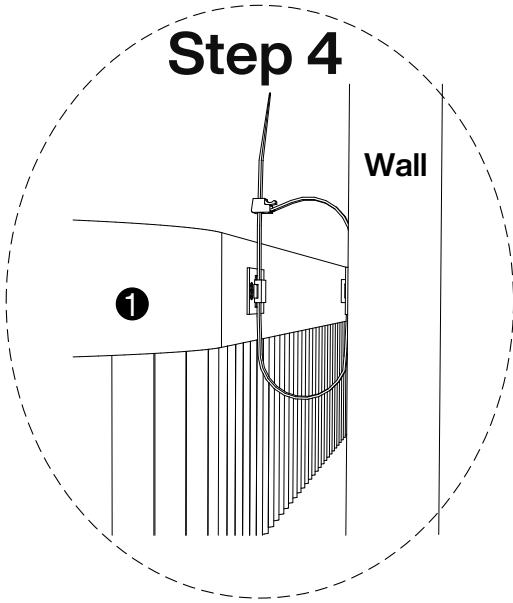
Step 2



Step 3



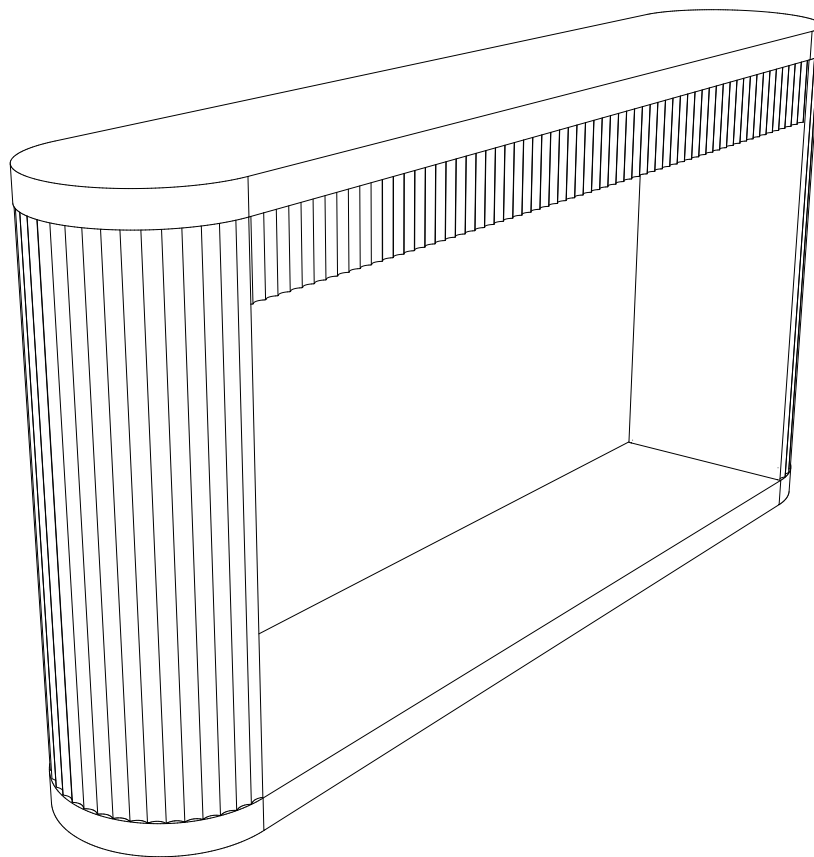
Step 4





DESIGNED FOR LIFE

Thank you for your support!



Contact our customer service team



support@tribesigns.com

www.tribesigns.com



1-424-220-6888

7 AM to 8 PM EST,
Monday to Friday.



Facebook



Instagram



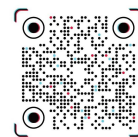
Pinterest



Twitter



YouTube



TikTok



WhatsApp