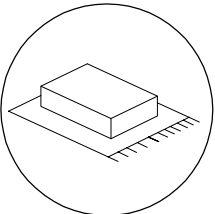
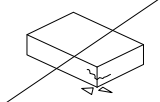



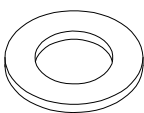
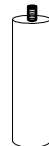
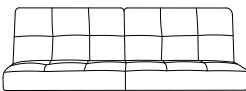
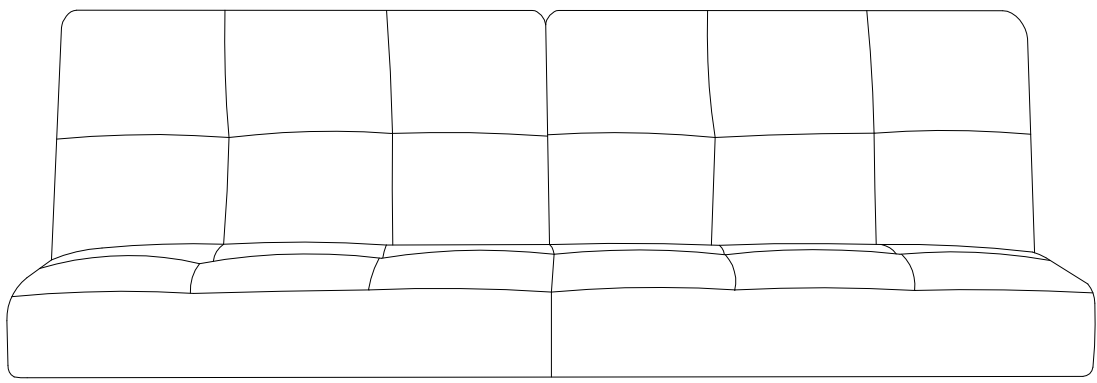

		15'
 		
		1

<p>A</p>  <p>x 4</p>	<p>B</p>  <p>x 5</p>	<p>C</p>  <p>x 1</p>	<p>D</p>  <p>x 1</p>
---	---	---	---

D



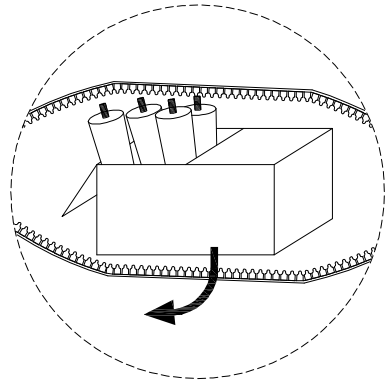
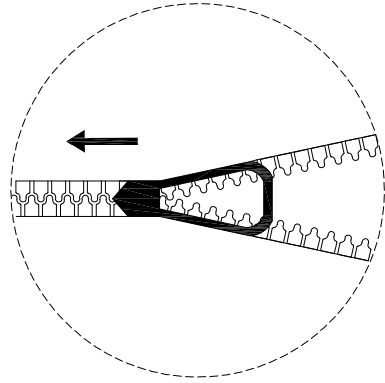
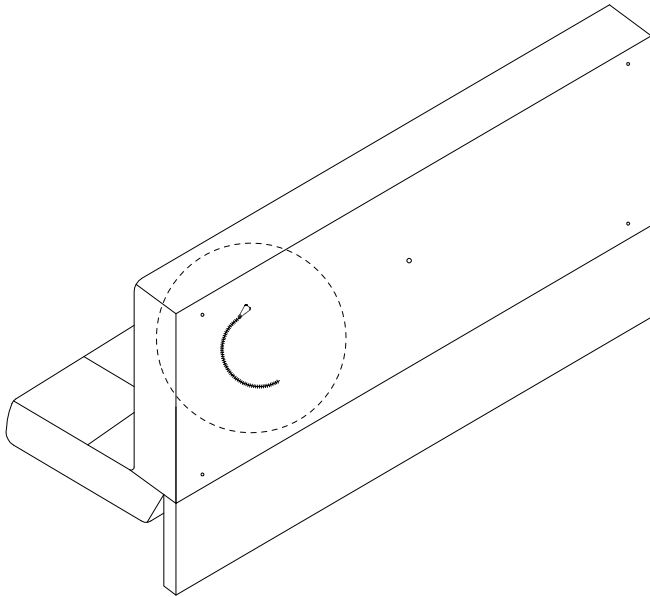
C



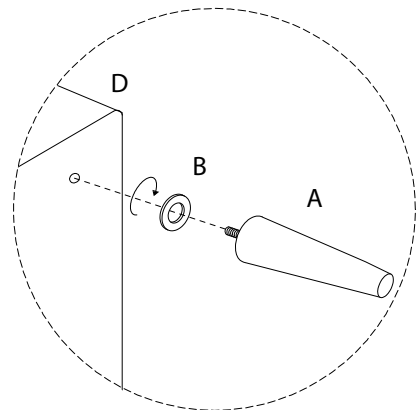
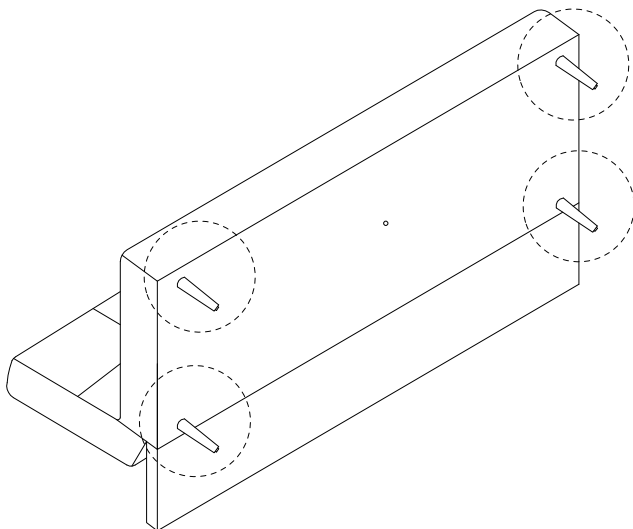
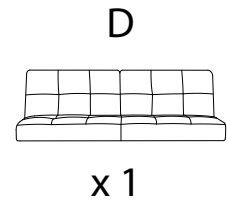
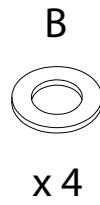
A x 4



!

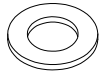


1



2

B

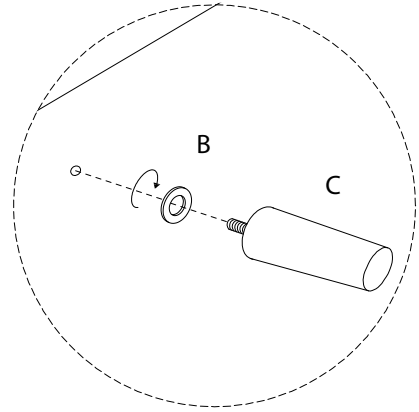
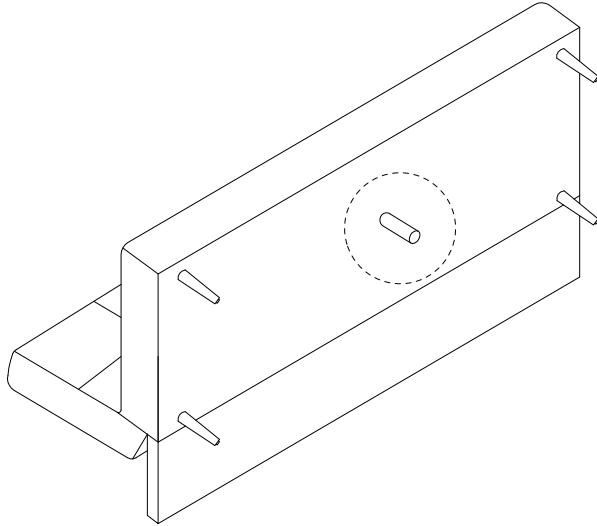


x 1

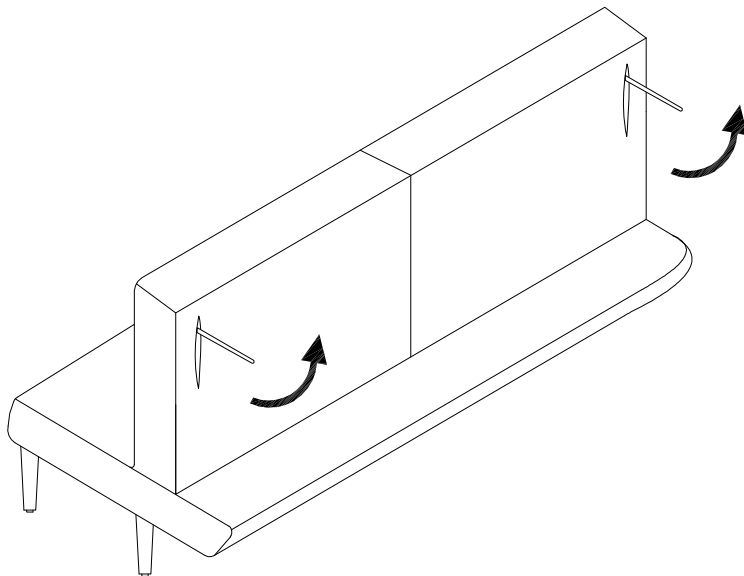
C



x 1



!



!

