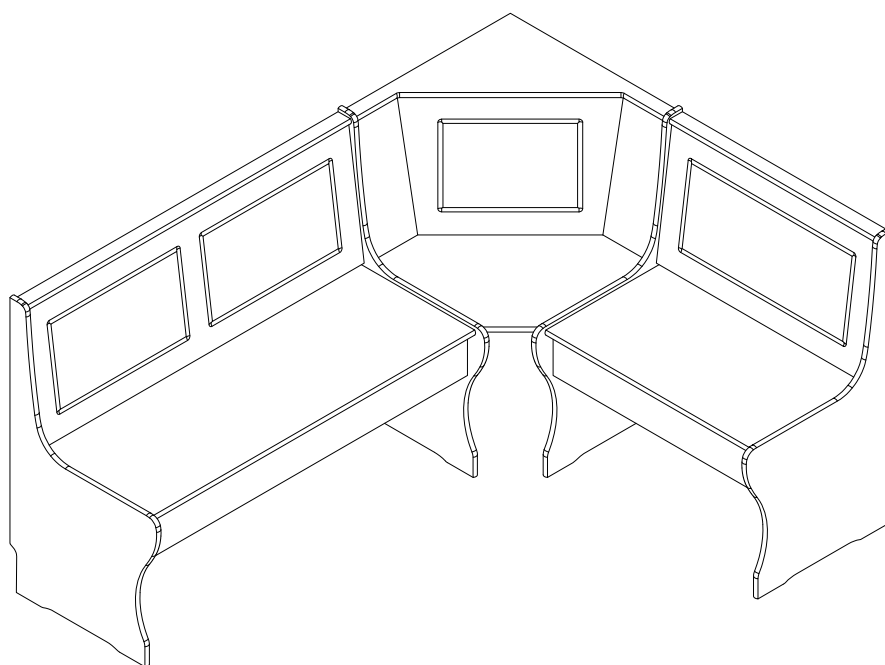


ASSEMBLE INSTRUCTION



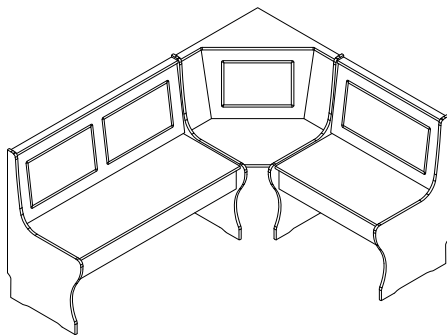
SELECT THE LAYOUT OF THE NOOK

THIS ITEM REVERSIBLE AND CAN BE INSTALLED EITHER WITH THE LARGE BENCH AT YOUR LEFT HAND SIDE (LEFT SIDE INSTALLATION) OR WITH THE LARGE BENCH AT YOUR RIGHT HAND SIDE (RIGHT SIDE INSTALLATION).

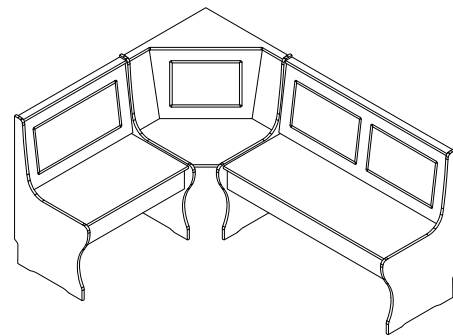
THIS INSTRUCTION IS MADE FOR LEFT HAND INSTALLATION.

IF YOU SELECT THE RIGHT HAND INSTALLATION THEN YOU HAVE TO SWITCH ALL THE PARTS LOCATED AT LEFT PART (#03, # 04, #05, #06, #07) TO RIGHT PART AND THE PARTS LOCATED AT RIGHT PART (#15, # 16, #17, #18, #19)) TO LEFT PART.

ATTENTION: OUTSIDE LEGS #01 AND #14 PLUS CENTRAL PIECES (#02, #08, #09, #10, #11, #12 AND #13) REMAIN UNCHANGED.



LEFT SIDE INSTALLATION



RIGHT SIDE INSTALLATION




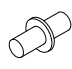

NOTE: BEFORE STARTING THE ASSEMBLY PROCESS, ALL PARTS SHOULD BE SEPARATED ACCORDING TO THE ITEM THEY BELONG TO. FOR BETTER IDENTIFICATION OF ALL PARTS, PLEASE USE PART IDENTIFICATION LIST ON PAGE 3 FOR THE CORNER BENCH;

THIS INSTRUCTION FOR CORNER BENCH ONLY,IF THE ORDER IS FULL SET INCLUDING TABLE AND BENCH, THEY ARE IN SEPARATE BOX

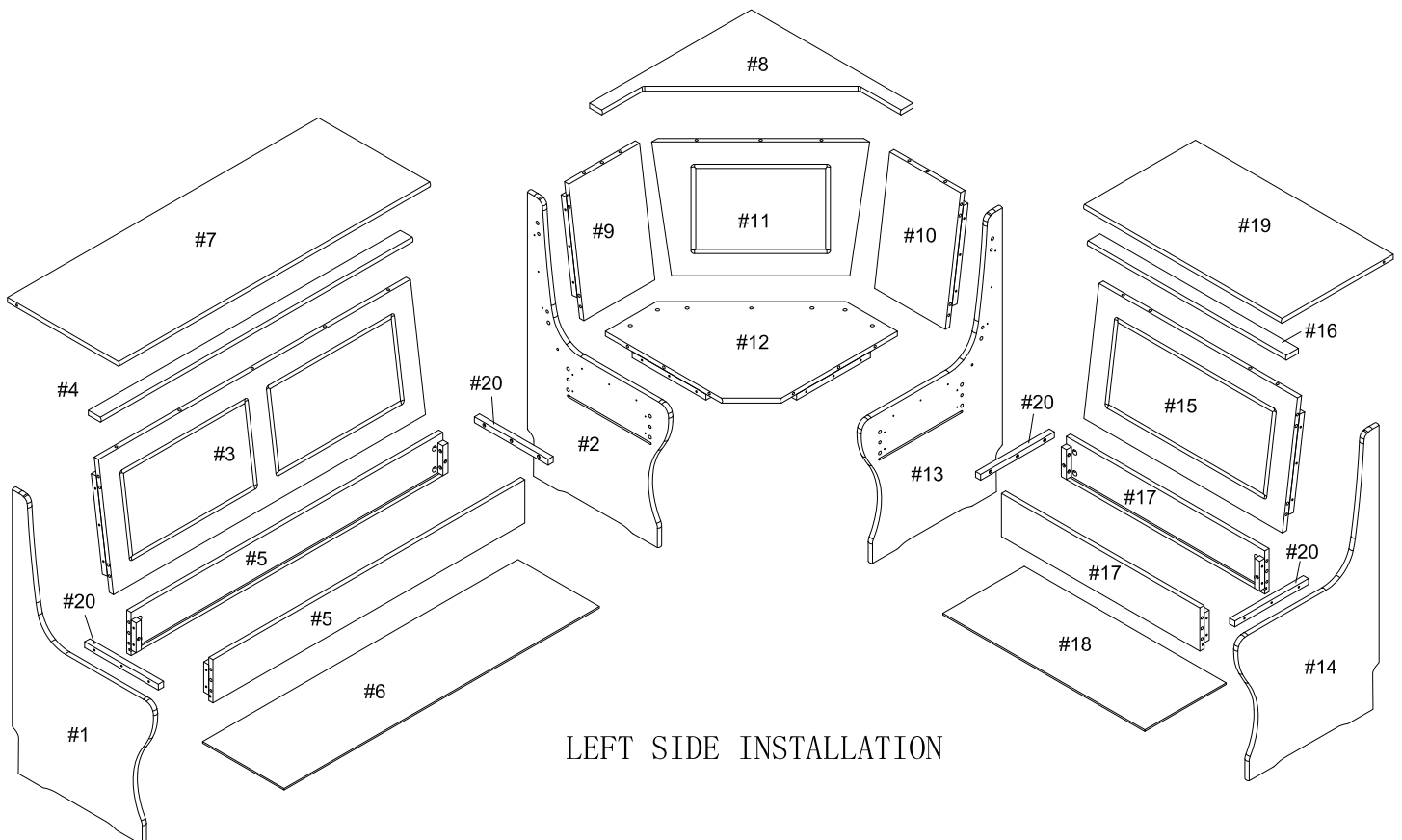
For any assemble questions ,you can contact loojanehome@163.com for help

PART/HARDWARE LIST - CORNER BENCH

PART #	DESCRIPTION	QTY
#1	Long Left Side Panel	01
#2	Long Right Side Panel	01
#3	Long Back Panel	01
#4	Long Bar	01
#5	Long Apron	02
#6	Long Bottom Panel	01
#7	Long Seat Panel	01
#8	Top Corner Panel	01
#9	Corner Left Panel	01
#10	Corner Right Panel	01
#11	Middle Back Panel	01
#12	Corner Seat Panel	01
#13	Short Left Side Panel	01
#14	Short Right Side Panel	01
#15	Short Back Panel	01
#16	Short Bar	01
#17	Short Apron	02
#18	Short Bottom Panel	01
#19	Short Seat Panel	01
#20	Support Bar	04

ITEM	DESCRIPTION	PART	QTY
A	Camlock bolt		52
B	Camlock		52
C	Wooden dowel	 Ø8*30mm	32
D	Steel pin		5
E	Screw	 Ø4*25mm	56

All harwares have extra spares

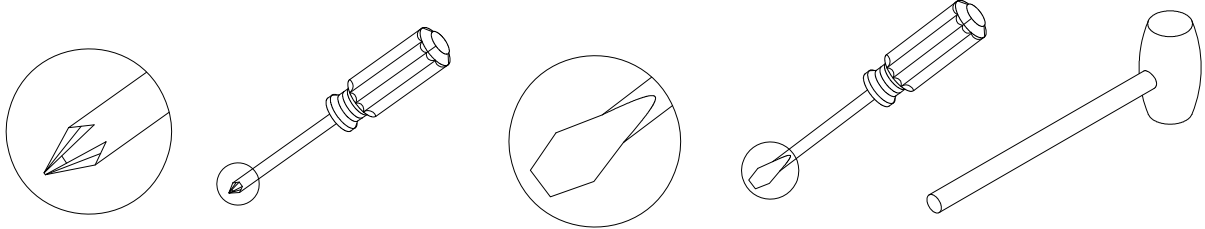


LEFT SIDE INSTALLATION

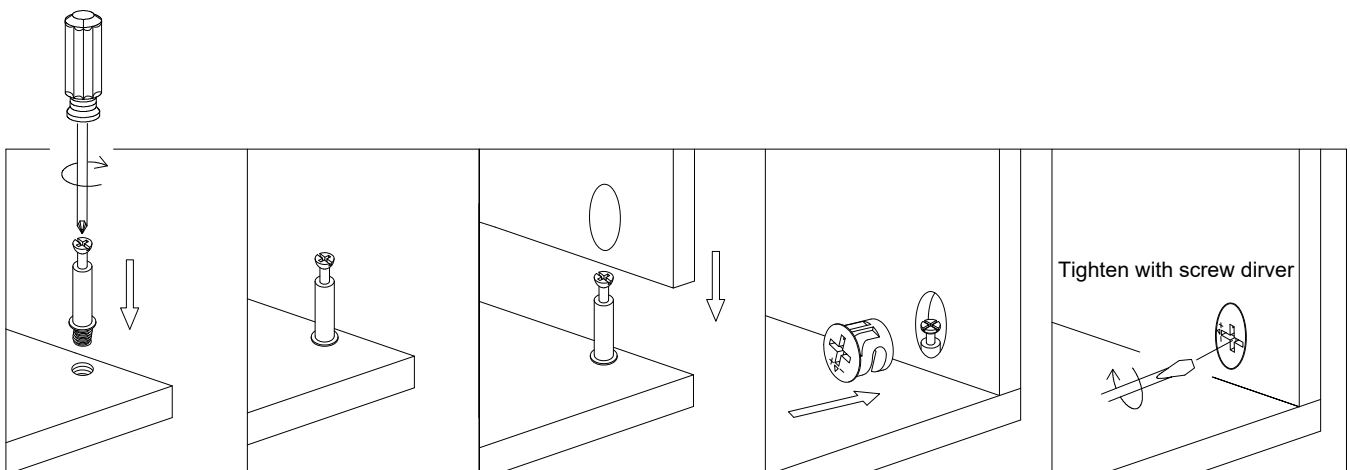
For any assemble questions ,you can contact loojanehome@163.com for help

ASSEMBLY INSTRUCTION

ASSEMBLY TOOLS REQUIRED (NOT INCLUDED)



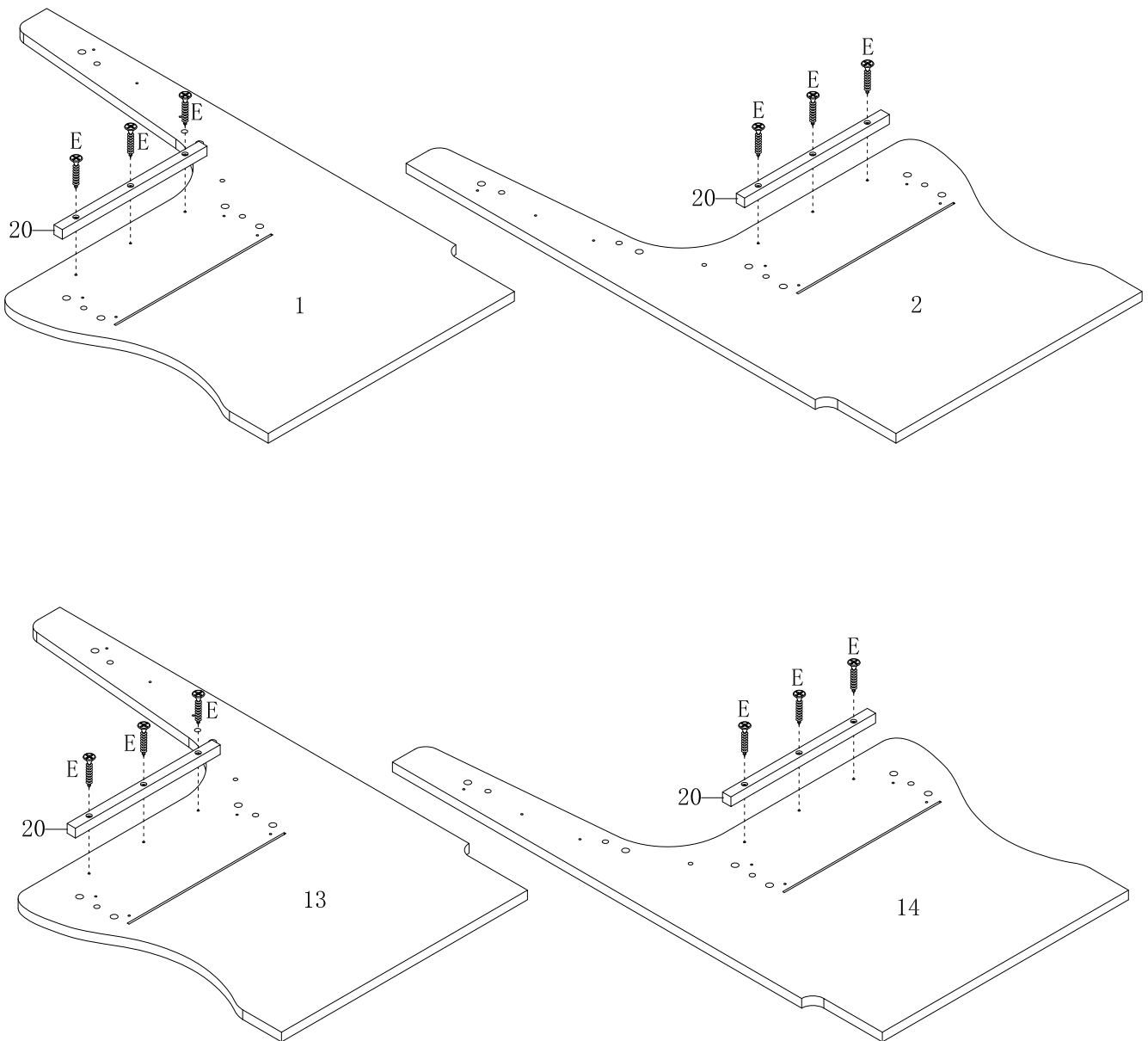
HIDDEN CONNECTOR.....ASSEMBLY TECHNIQUES



ASSEMBLY INSTRUCTION

STEP 1



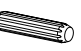

E:  12PCS

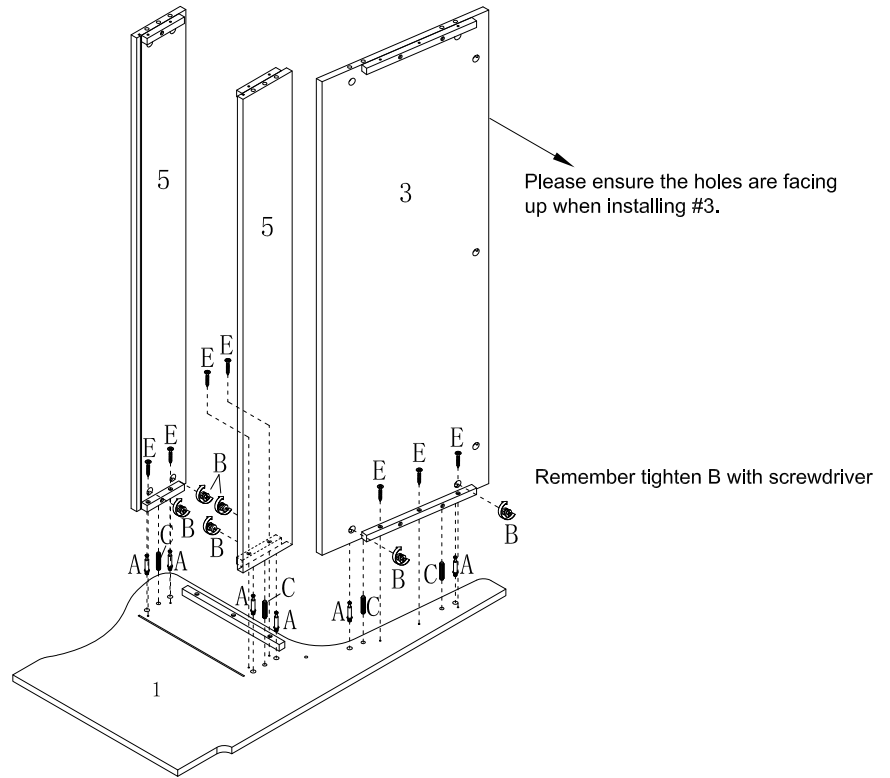


For any assemble questions ,you can contact loojanehome@163.com for help


ASSEMBLY INSTRUCTION

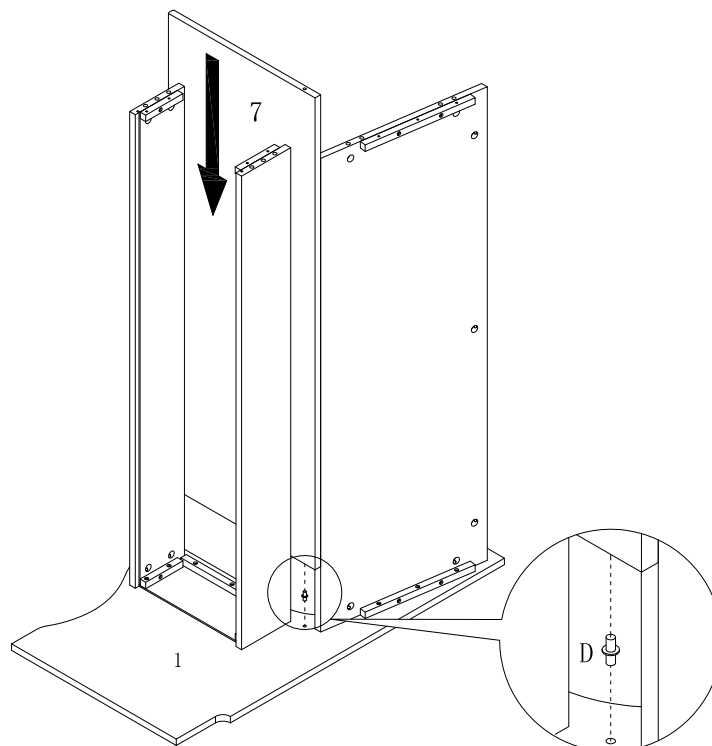
STEP 2

A:		6PCS
B:		6PCS
C:		4PCS
E:		7PCS



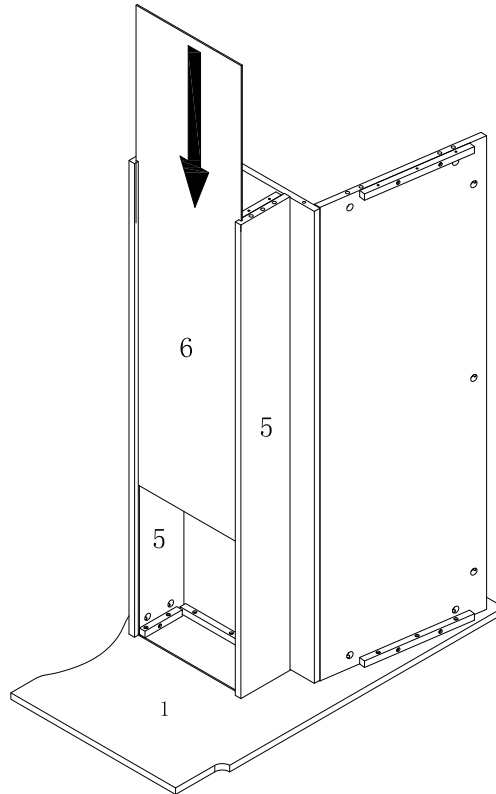
STEP 3

D:		1PC
----	---	-----








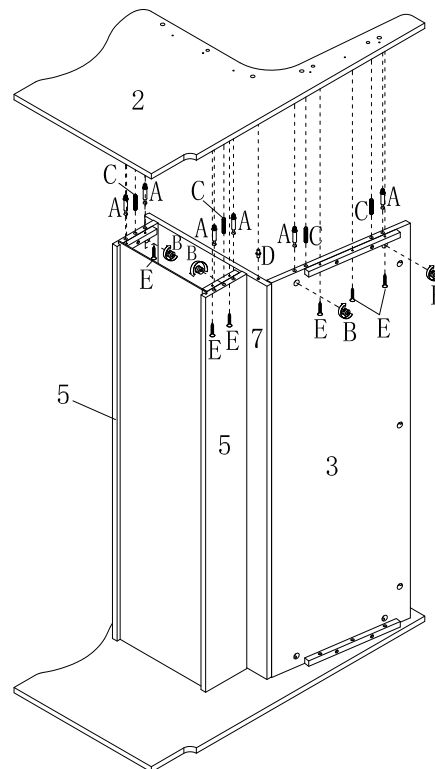
ASSEMBLY INSTRUCTION

STEP 4



STEP 5



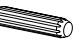
A:		6PCS
B:		6PCS
C:		4PCS
D:		1PC
E:		7PCS

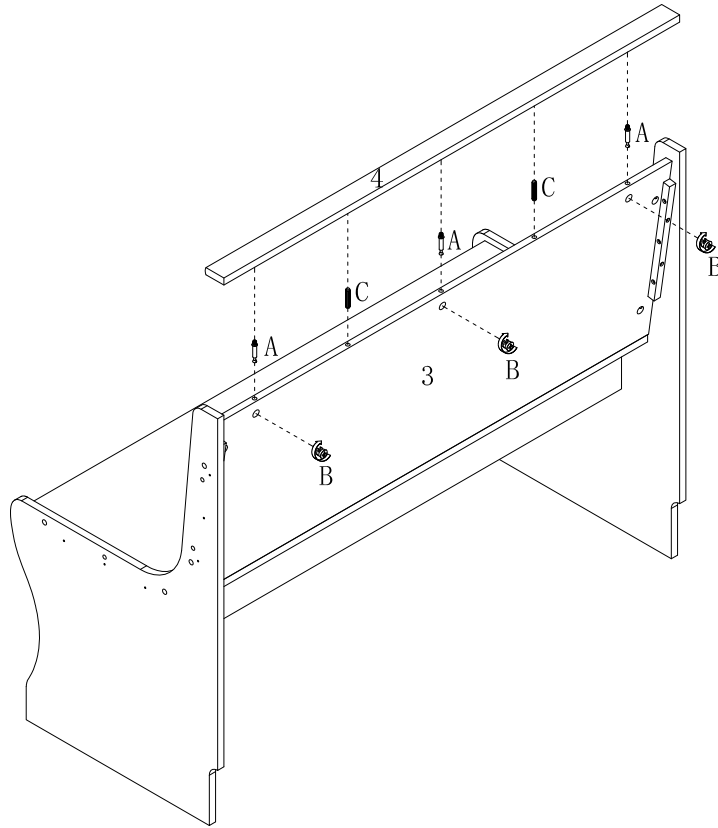


Remember tighten B with screwdriver

ASSEMBLY INSTRUCTION





STEP 6

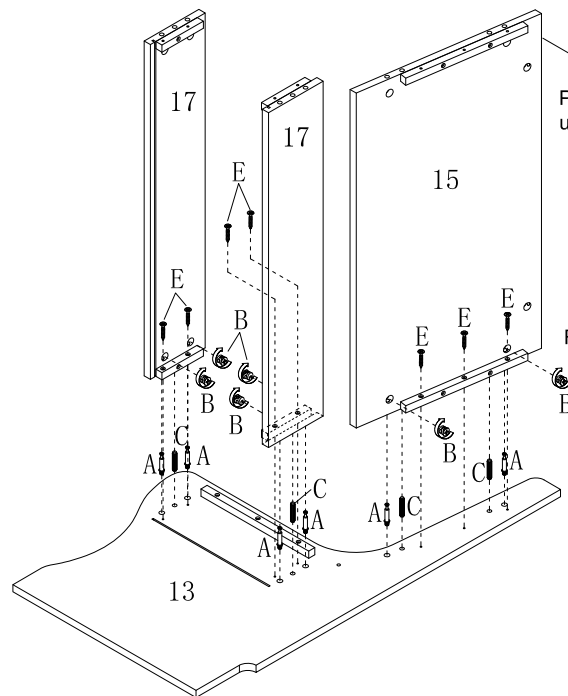
A:		3PCS
B:		3PCS
C:		2PCS



Remember tighten B with screwdriver

STEP 7

A:		6PCS
B:		6PCS
C:		4PCS
E:		7PCS



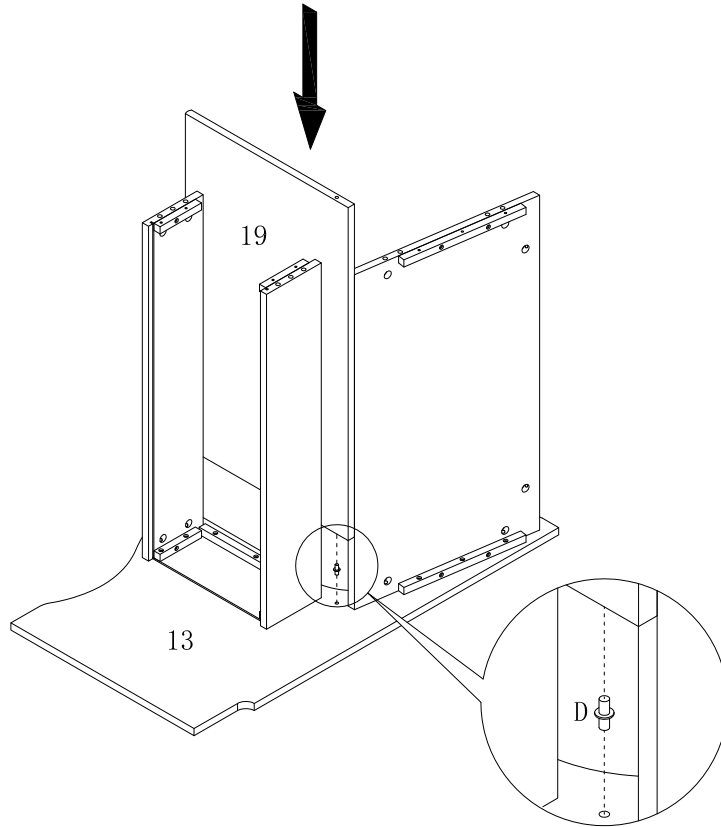
Please ensure the holes are facing up when installing #15.

Remember tighten B with screwdriver

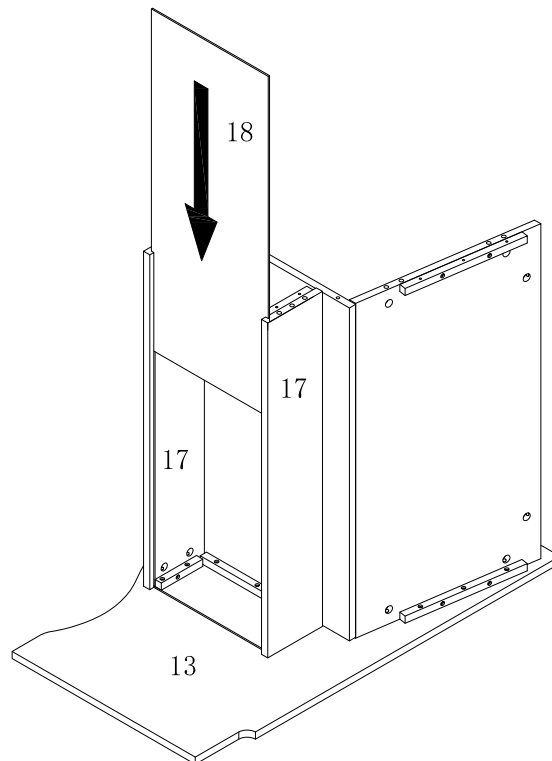
ASSEMBLY INSTRUCTION

STEP 8

D:  1PC



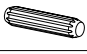




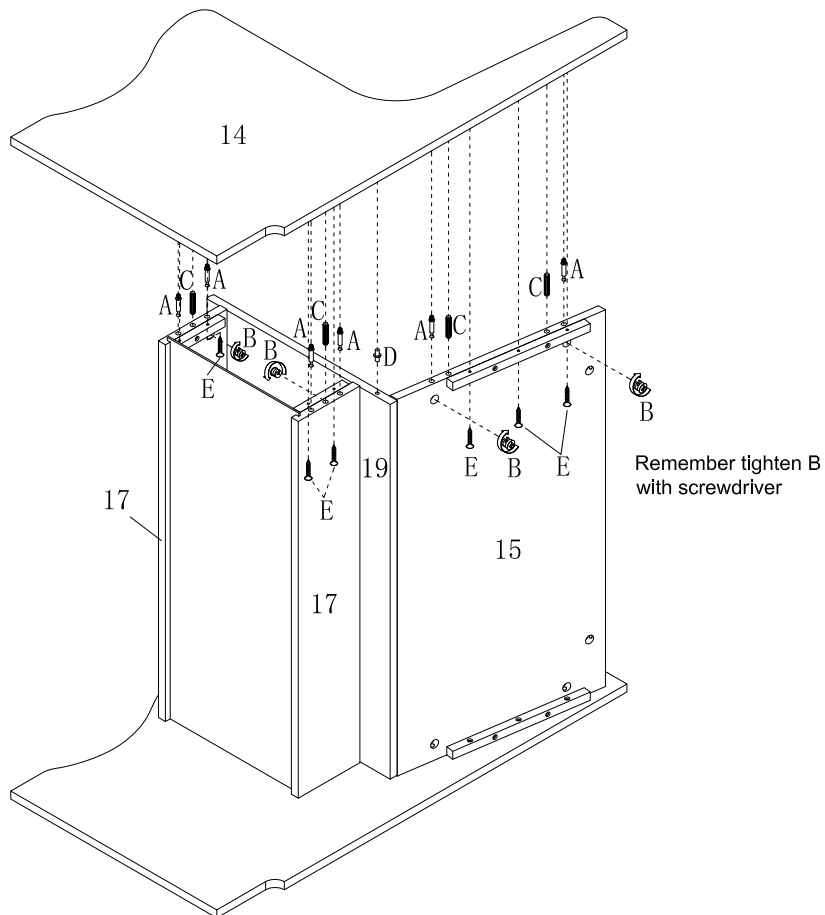
STEP 9






ASSEMBLY INSTRUCTION

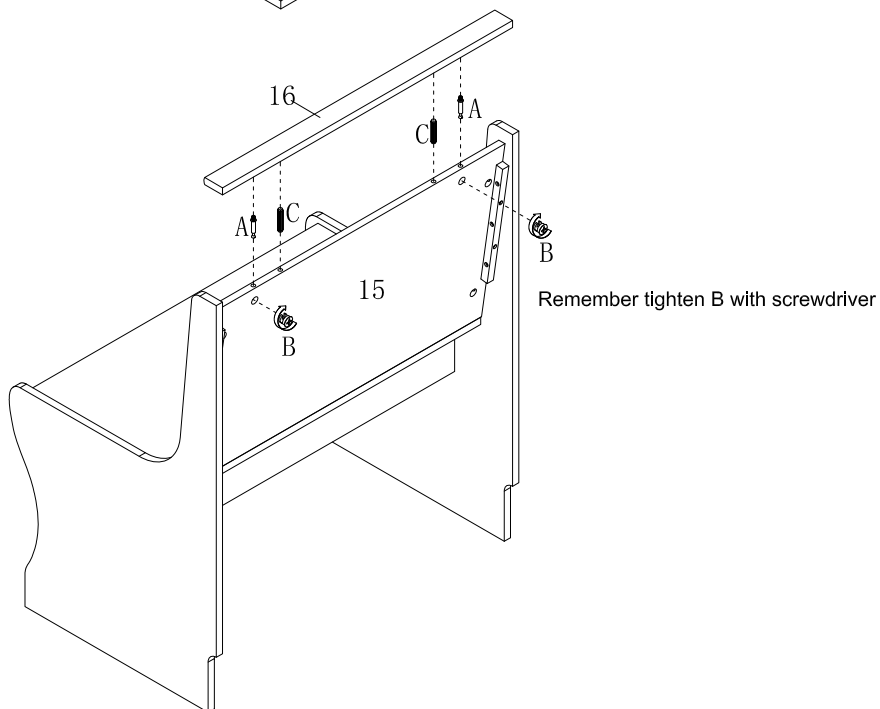
STEP 10

A:		6PCS
B:		6PCS
C:		4PCS
D:		1PC
E:		7PCS





STEP 11

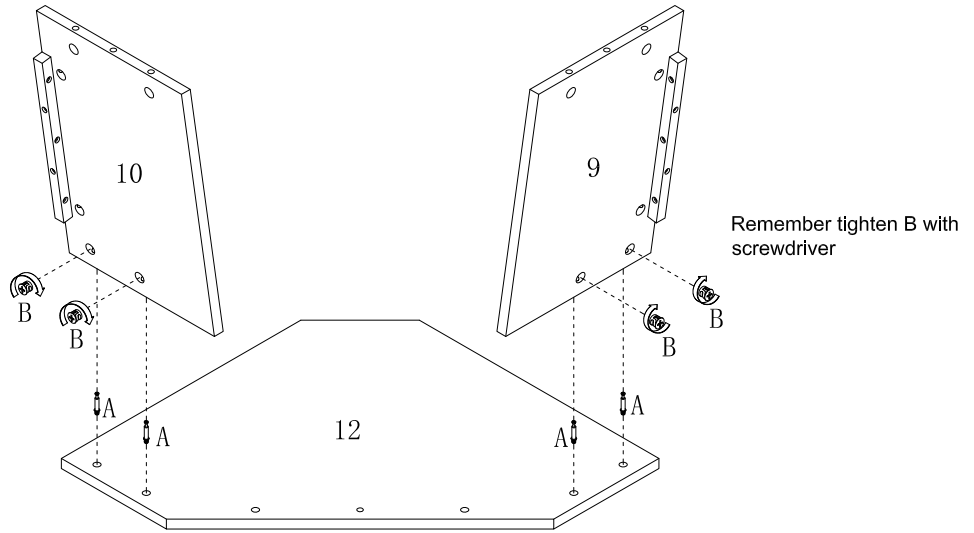
A:		2PCS
B:		2PCS
C:		2PCS



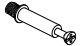


ASSEMBLY INSTRUCTION

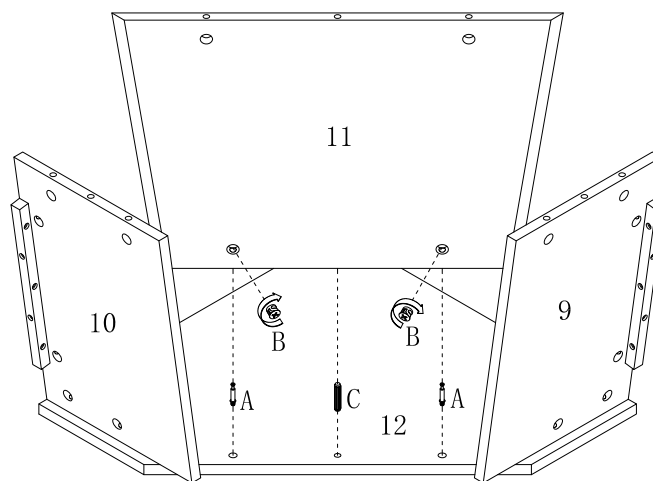
STEP 12

A:		4PCS
B:		4PCS





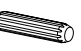
STEP 13

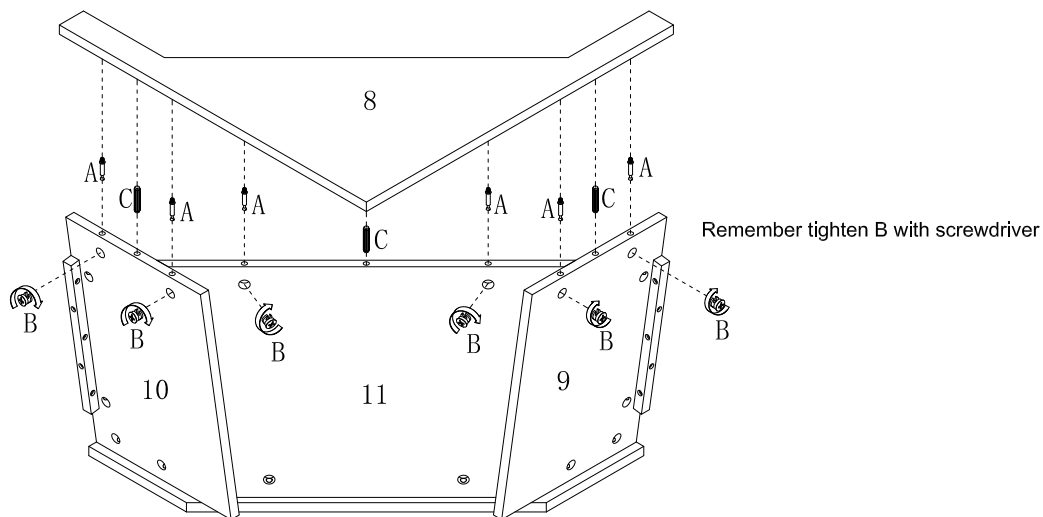
A:		2PCS
B:		2PCS
C:		1PC



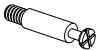



ASSEMBLY INSTRUCTION

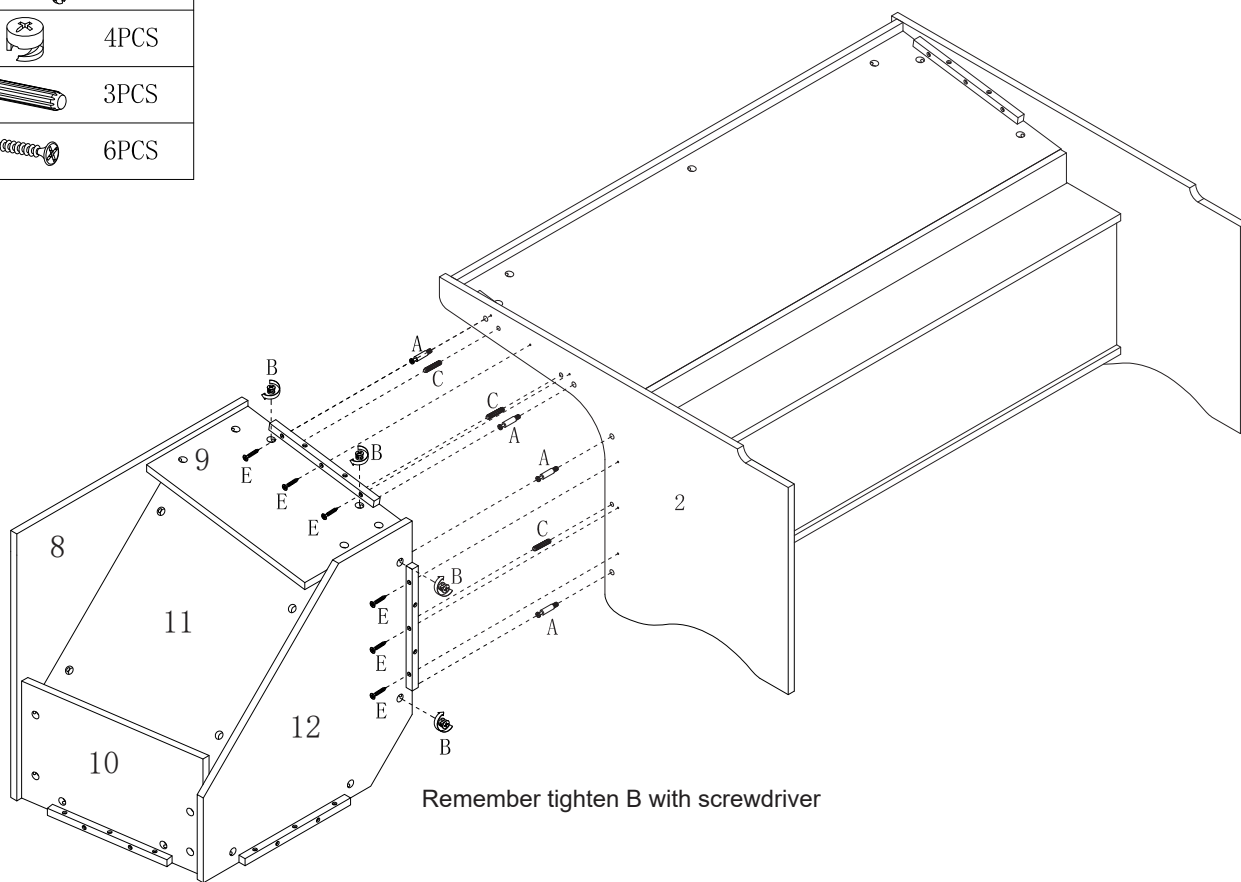
STEP 14

A:		6PCS
B:		6PCS
C:		3PCS







STEP 15

A:		4PCS
B:		4PCS
C:		3PCS
E:		6PCS

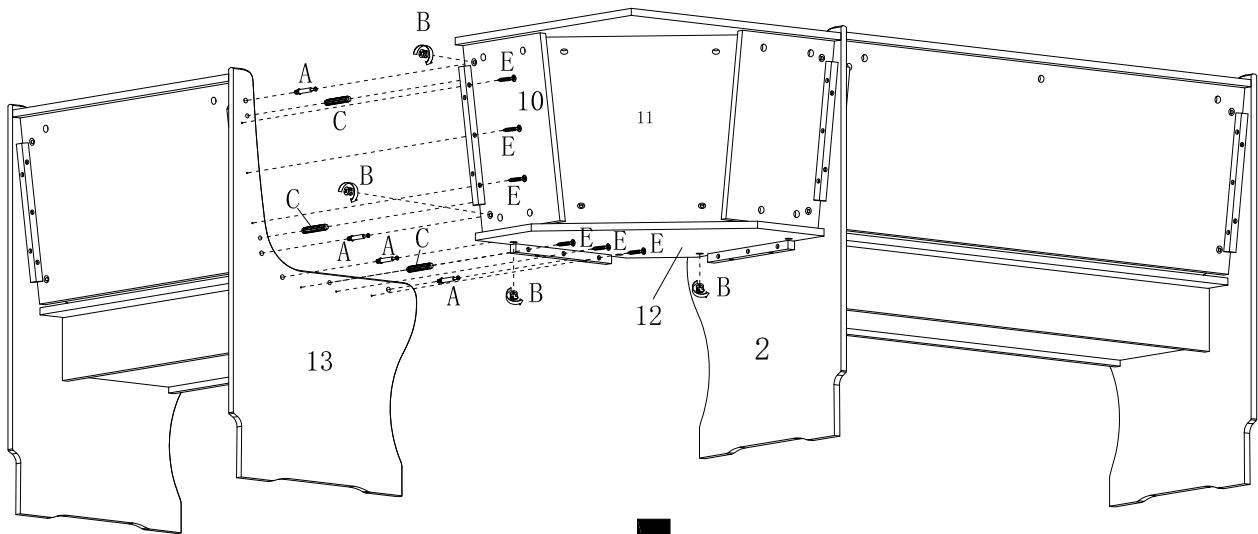


ASSEMBLY INSTRUCTION

STEP 16

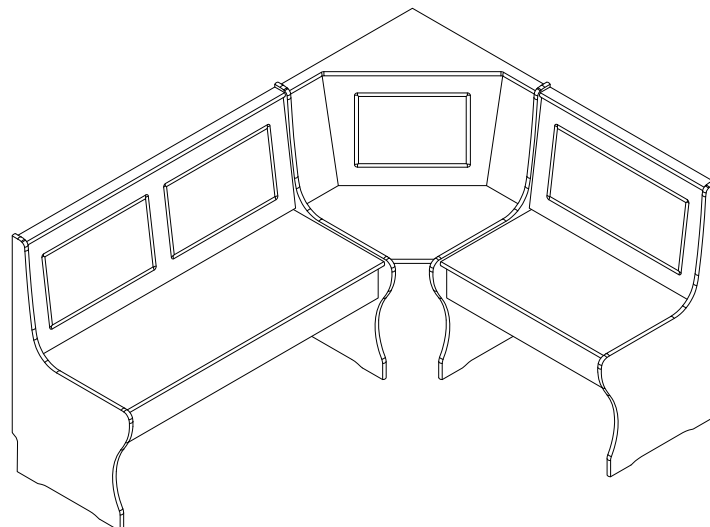
A:		4PCS
B:		4PCS
C:		3PCS
E:		6PCS

Remember tighten B with screwdriver



It's backside of short seat

It's backside of long seat



For any assemble questions ,you can contact loojanehome@163.com for help