

seville classics®
HOME

ASSEMBLY INSTRUCTIONS

Seville Classics® Stainless-Steel Worktable Cart with Solid Wood Top

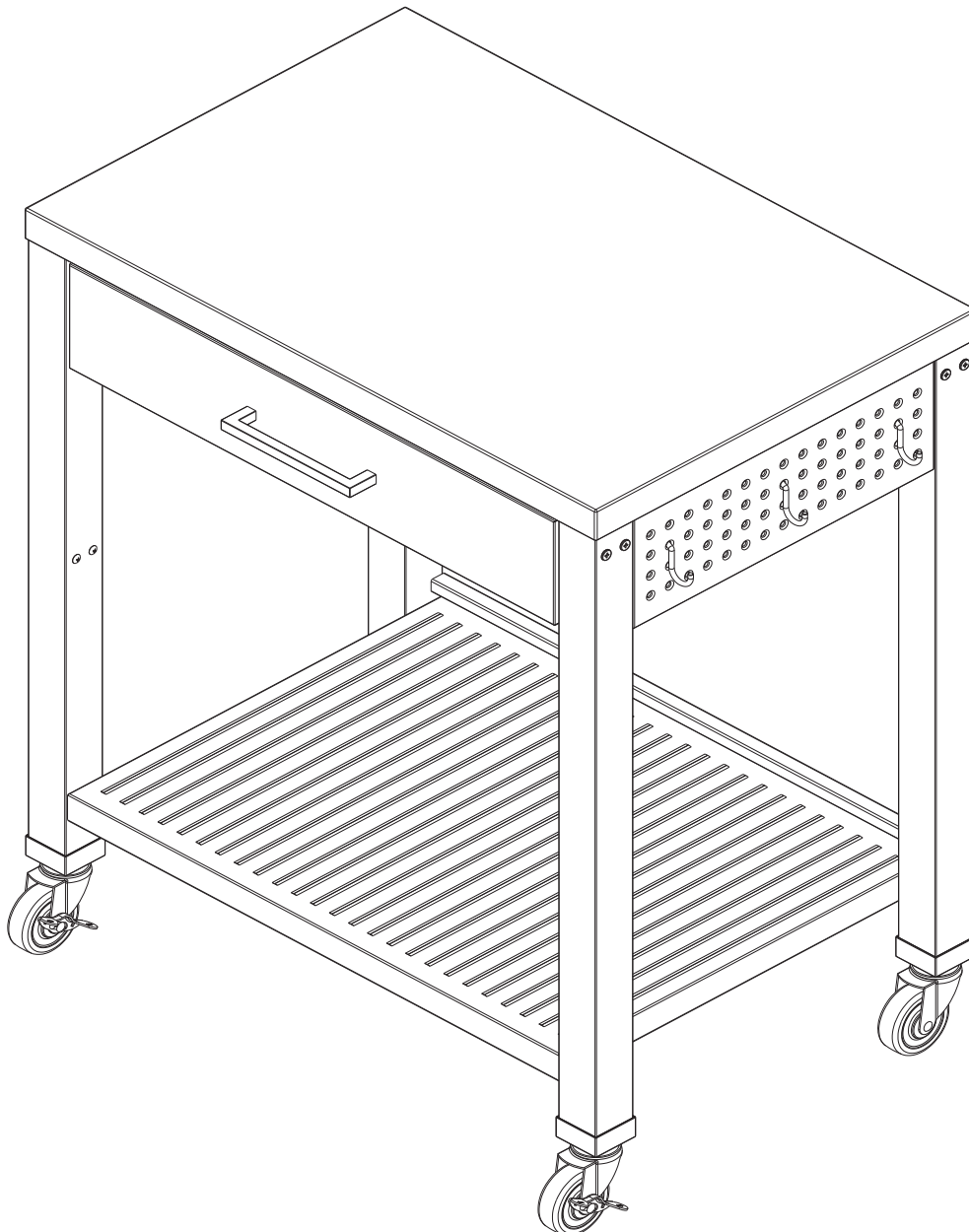
Model No. 20113

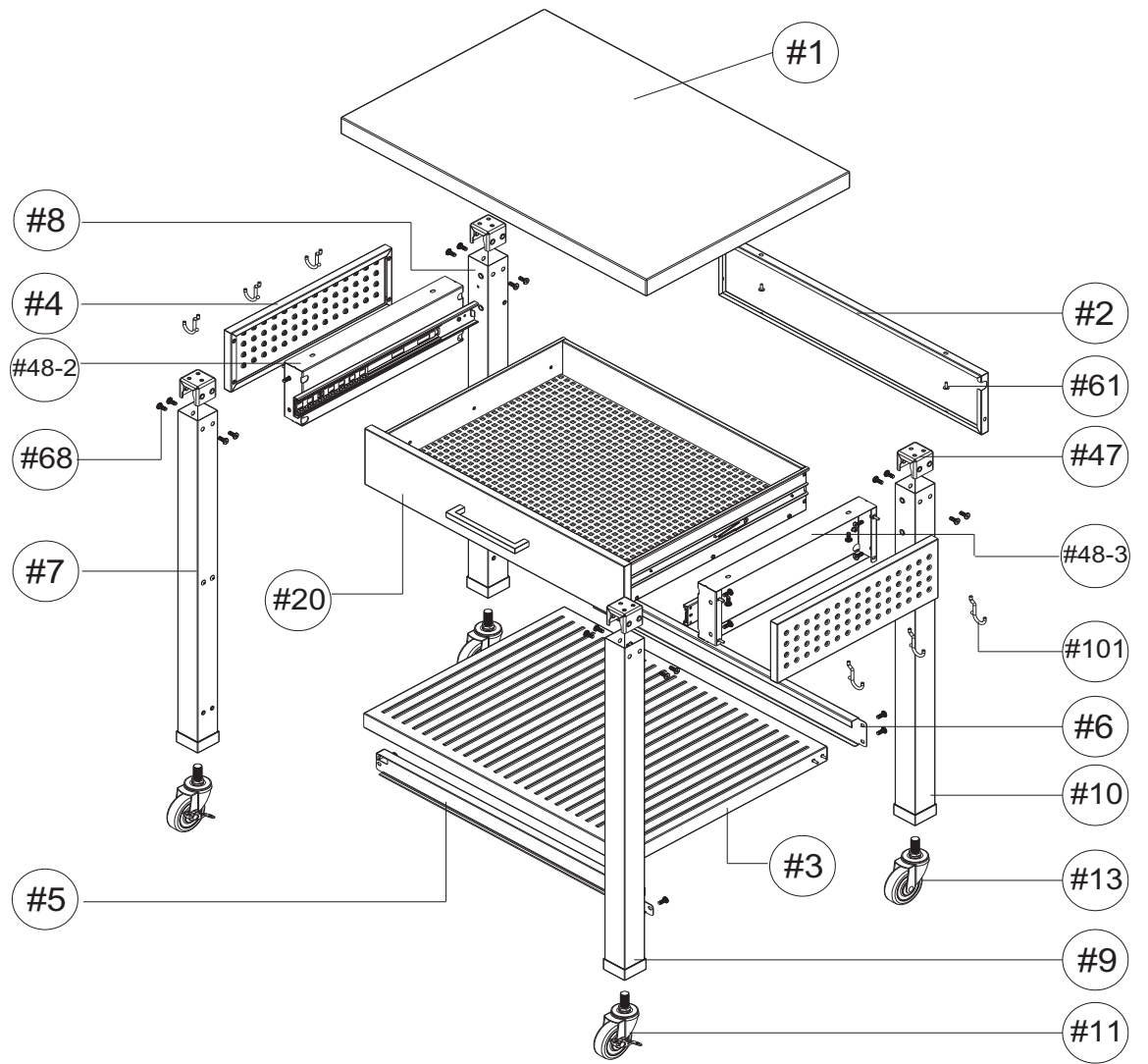
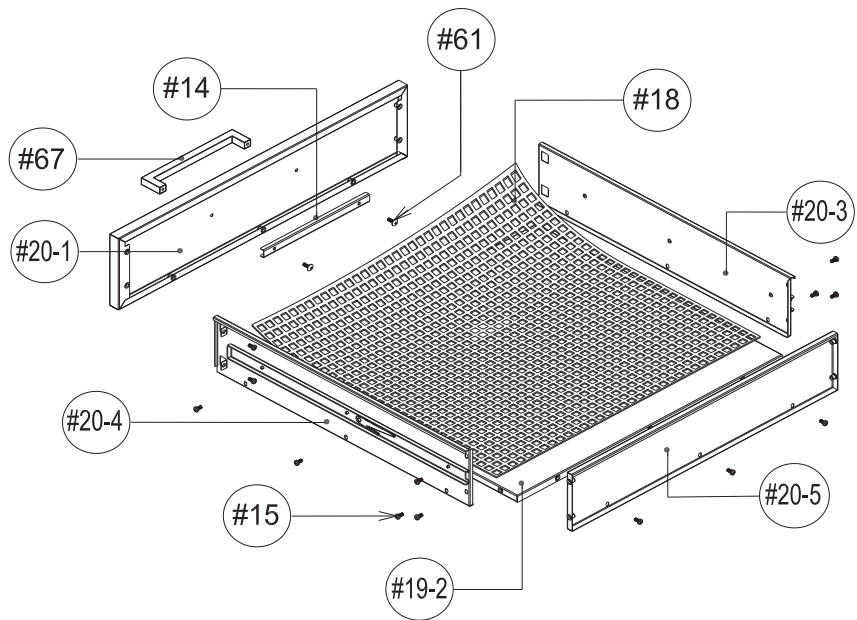
(30" W X 20" D X 36" H / 76.2 cm x 50.8 cm x 91.4 cm)

ULTRAGUARD®

FINGERPRINT RESISTANT SURFACES
AND INCREASED DURABILITY

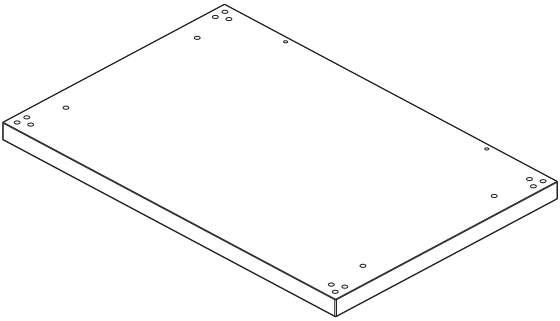
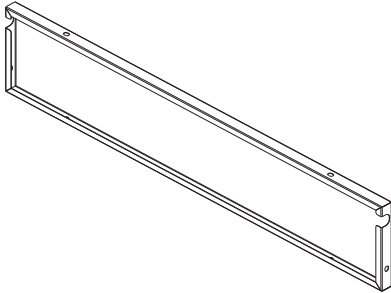
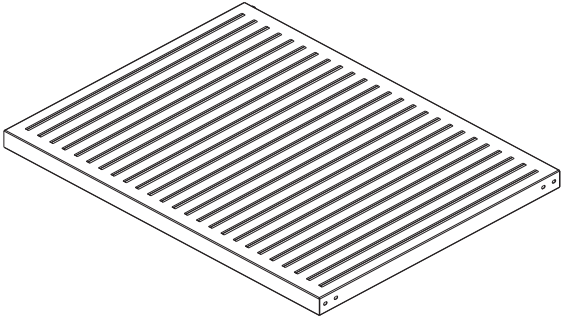
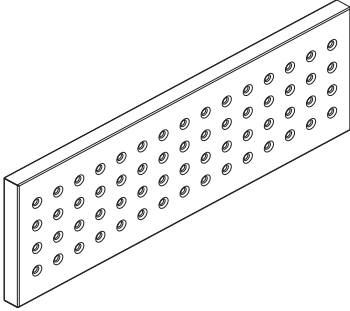
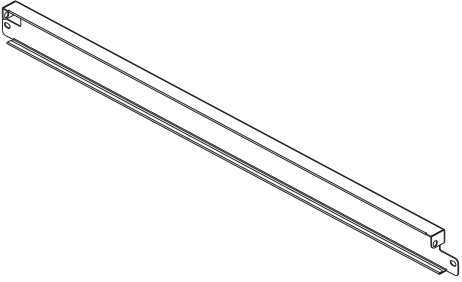
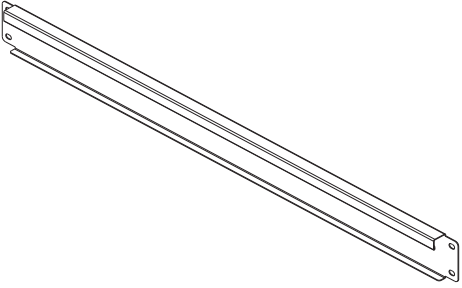
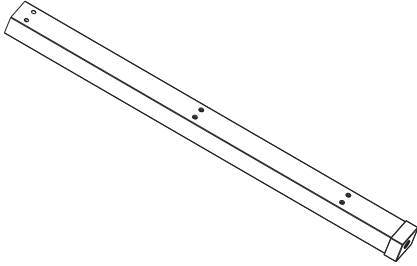
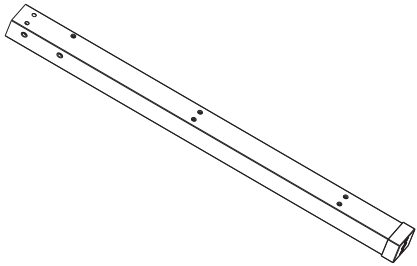
Reference page 11 for special care and
maintenance of stainless steel





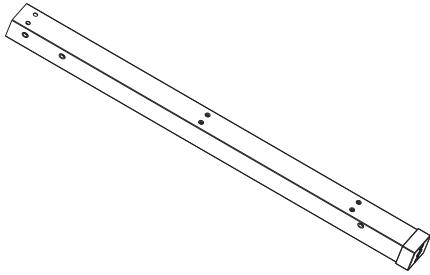
PARTS LIST

Please check the parts carefully according to the parts list. If you are missing any parts, please contact our customer service department (please refer to page 12).

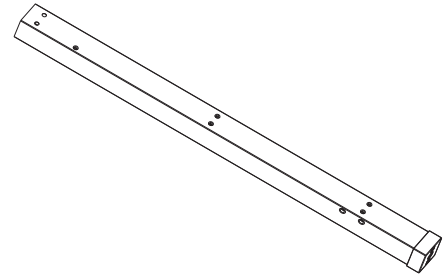
	
<p>(#1) SOLID HARDWOOD BOARD TOP X 1 PC</p>	<p>(#2) BACK PANEL X 1 PC</p>
	
<p>(#3) BOTTOM SHELF X 1 PC</p>	<p>(#4) SIDE PEGBOARD PANEL X 2 PCS</p>
	
<p>(#5) FRONT -BOTTOM CROSSBAR X 1 PC</p>	<p>(#6) BACK -BOTTOM CROSSBAR X 1 PC</p>
	
<p>(#7) LEFT-FRONT LEG X 1 PC</p>	<p>(#8) LEFT-BACK LEG X 1 PC</p>

PARTS LIST

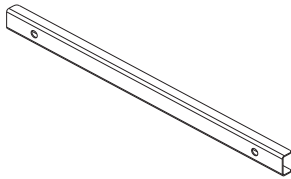
Please check the parts carefully according to the parts list. If you are missing any parts, please contact our customer service department (please refer to page 12).



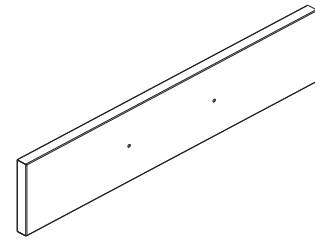
(#9) RIGHT-FRONT LEG X 1 PC



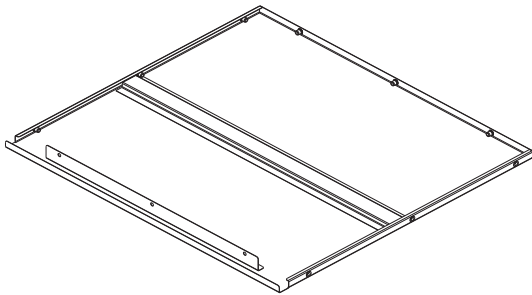
(#10) RIGHT-BACK LEG X 1 PC



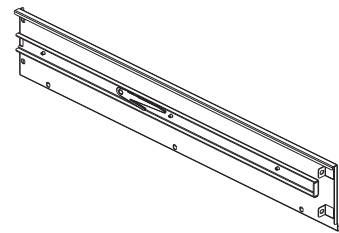
(#14) DRAWER HANDLE BRACKET X 1 PC



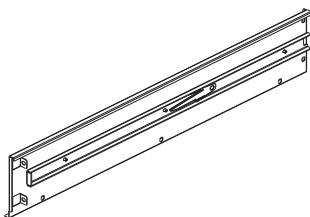
(#20-1) SMALL DRAWER FRONT PANEL X 1 PC



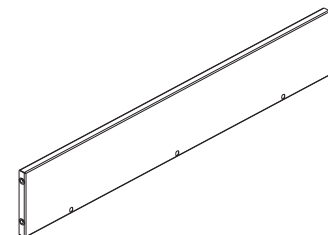
(#19-2) DRAWER BASE PANEL X 1 PC



(#20-3) SMALL DRAWER LEFT PANEL X 1 PC



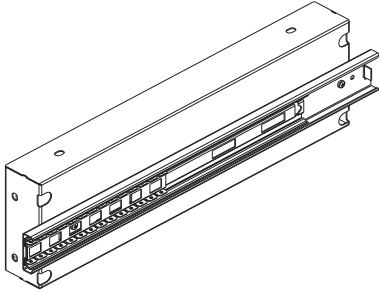
(#20-4) SMALL DRAWER RIGHT PANEL X 1 PC



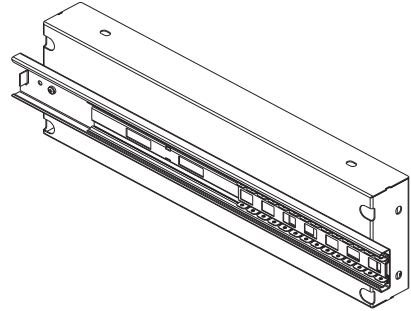
(#20-5) SMALL DRAWER BACK PANEL X 1 PC

PARTS LIST

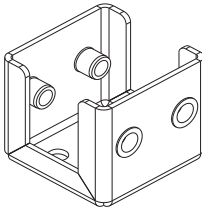
Please check the parts carefully according to the parts list. If you are missing any parts, please contact our customer service department (please refer to page 12).



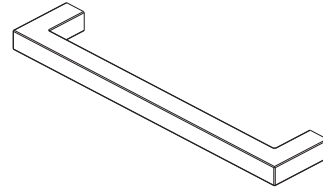
(#48-2) SMALL DRAWER LEFT SUPPORT X 1 PC



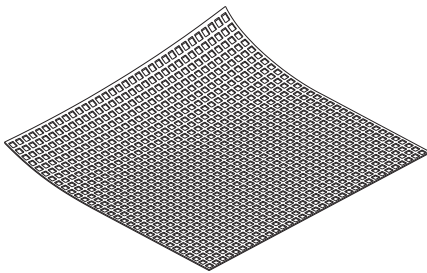
(#48-3) SMALL DRAWER RIGHT SUPPORT X 1 PC



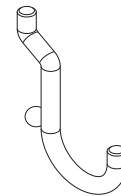
(#47) "U" BRACKET X 4 PCS



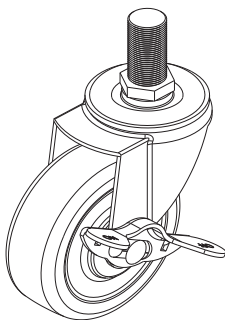
(#67) HANDLE X 1 PC



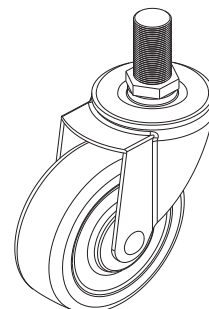
(#18) DRAWER MAT X 1 PC



(#101) 1" HOOK X 6 PCS



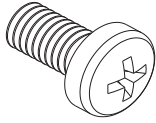
(#11) 3" X 1" WHEEL WITH BRAKE (M14 X 30L) X 2 PCS



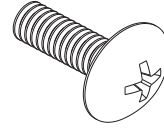
(#13) 3" X 1" WHEEL W/O BRAKE (M14 X 30L) X 2 PCS

PARTS LIST

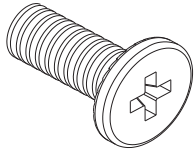
Please check the parts carefully according to the parts list. If you are missing any parts, please contact our customer service department (please refer to page 12).



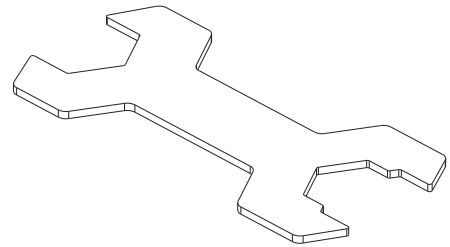
(#15) SCREW B (M4 x 8L) X 20 PCS



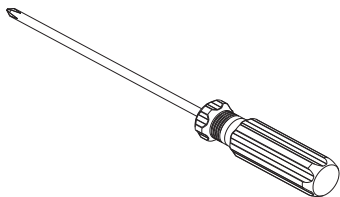
(#61) SCREW O (M4 x 12L) X 22 PCS



(#68) SCREW I (M6 x 15L) X 46 PCS



(#25) WRENCH X 1 PC

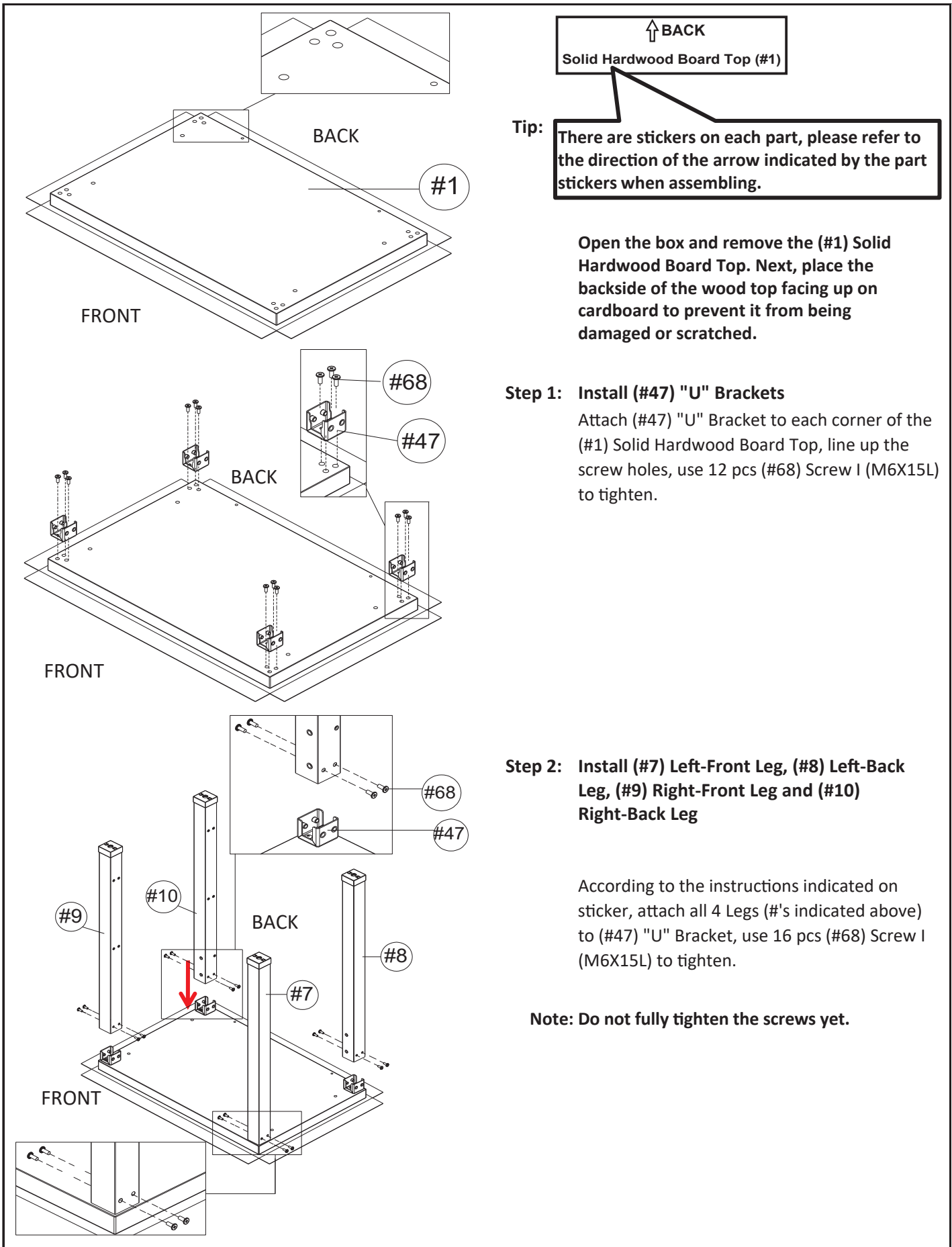


(#21) SCREW DRIVER X 1PC

Prep Table (Model No. 20113)



NOTE We recommend TWO people to assemble the worktable cart.



↑ BACK
Solid Hardwood Board Top (#1)

Tip: There are stickers on each part, please refer to the direction of the arrow indicated by the part stickers when assembling.

Open the box and remove the (#1) Solid Hardwood Board Top. Next, place the backside of the wood top facing up on cardboard to prevent it from being damaged or scratched.

Step 1: Install (#47) "U" Brackets

Attach (#47) "U" Bracket to each corner of the (#1) Solid Hardwood Board Top, line up the screw holes, use 12 pcs (#68) Screw I (M6X15L) to tighten.

Step 2: Install (#7) Left-Front Leg, (#8) Left-Back Leg, (#9) Right-Front Leg and (#10) Right-Back Leg

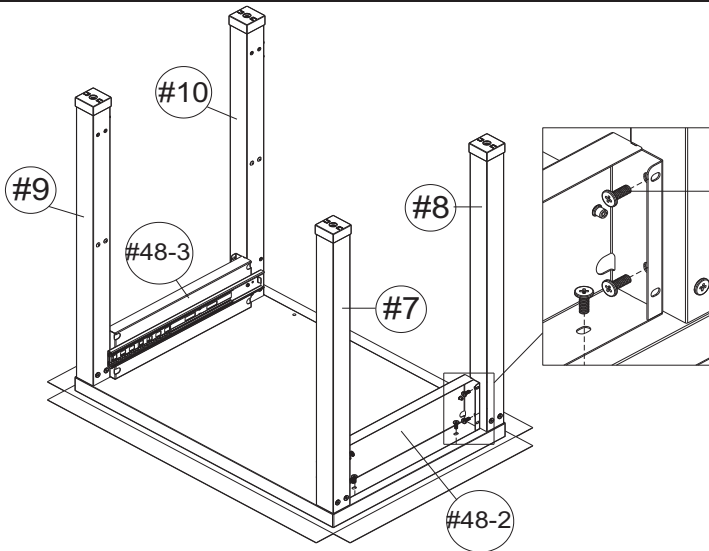
According to the instructions indicated on sticker, attach all 4 Legs (#'s indicated above) to (#47) "U" Bracket, use 16 pcs (#68) Screw I (M6X15L) to tighten.

Note: Do not fully tighten the screws yet.

Prep Table (Model No. 20113)



NOTE We recommend TWO people to assemble the worktable cart.

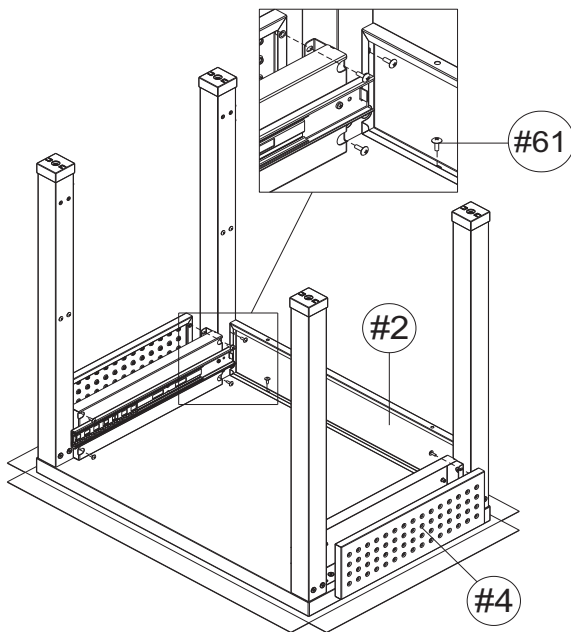


Step 3: Install (#48-2) Small Drawer Left Support and (#48-3) Small Drawer Right Support

As shown in the picture, attach (#48-2) Small Drawer Left Support between (#7) Left-Front Leg and (#8) Left-Back Leg, use 6 pcs (#68) Screw I (M6X15L) to tighten.

Attach (#48-3) Small Drawer Right Support between (#9) Right-Front Leg and (#10) Right-Back Leg, use 6 pcs (#68) Screw I (M6X15L) to tighten.

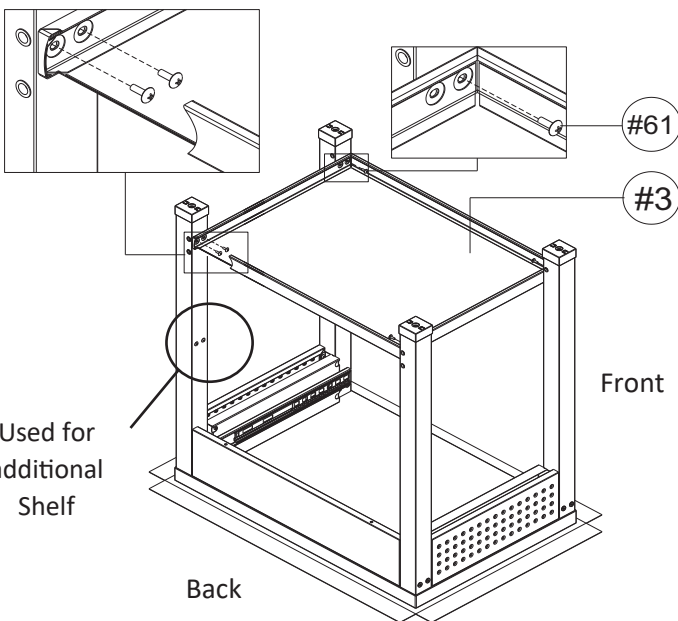
Note: Tighten all the screws in this step.



Step 4: Install (#4) Side Pegboard Panel and (#2) Back Panel

1) Attach 2 pcs (#4) Side Pegboard Panel between Front Leg and Back Leg, use 8 pcs (#61) Screw O (M4 x 12L) to tighten on Small Drawer Left Support and Small Drawer Right Support.

2) Attach (#2) Back Panel between 2 pcs Back Leg, use 4 pcs (#61) Screw O (M4 x 12L) to tighten.



Step 5: Install (#3) Bottom Shelf

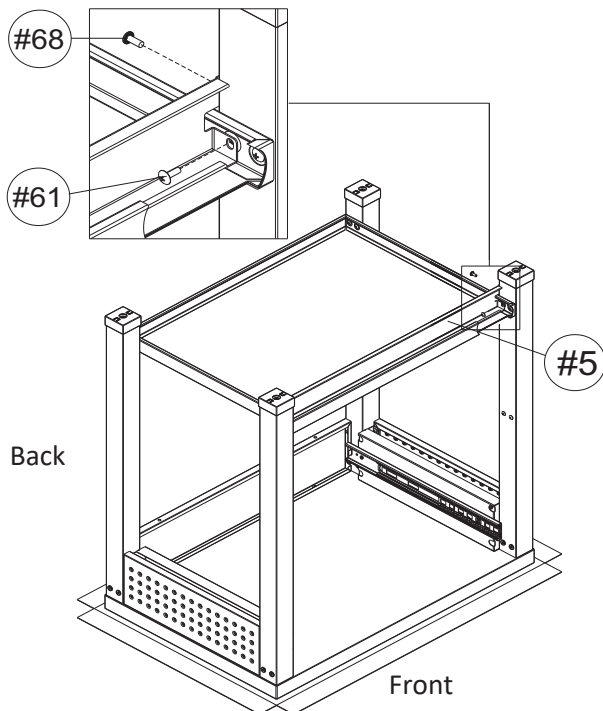
As shown in the picture, attach (#3) Bottom Shelf to 4 Legs, line up the screw holes, use 6 pcs (#61) Screw O (M4 x 12L) to tighten, 2 pcs for two Front Legs, 4pcs for two Back Legs.

Extra shelves (**model no. UHD20113S**) are available for purchase on our website (www.sevilleclassics.com).

Prep Table (Model No. 20113)

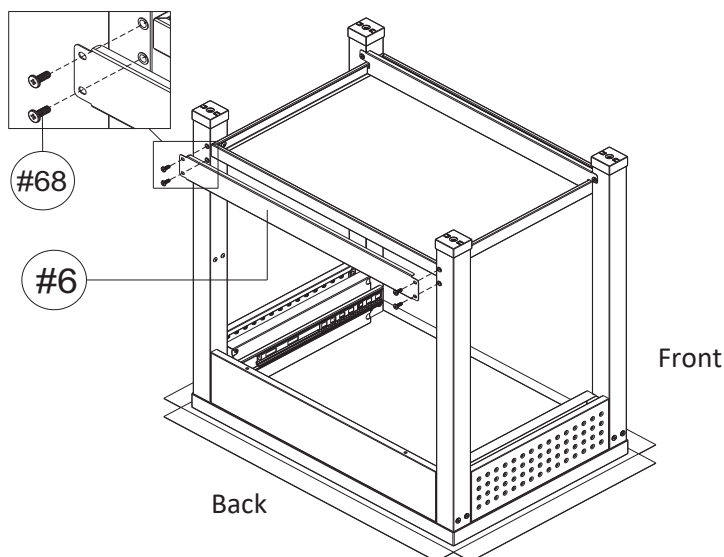


NOTE We recommend TWO people to assemble the worktable cart.



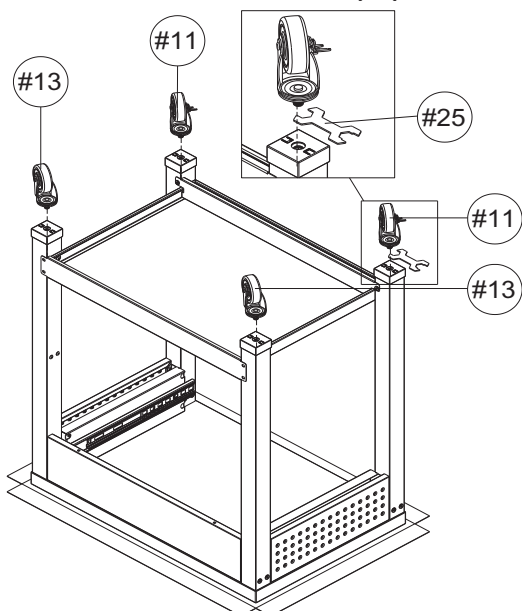
Step 6: Install (#5) Front -Bottom Crossbar

As shown in the picture, attach (#5) Front-Bottom Crossbar on the back side of two Front Legs, line up the screw holes, use 2 pcs (#68) Screw I (M6X15L) to tighten. Use 2 pcs (#61) Screw O (M4X12L) tighten on the inner side of two Front Legs, then tighten all screws including those in Step 6 at the same time.



Step 7: Install (#6) Back -Bottom Crossbar

Attach (#6) Back-Bottom Crossbar to Back Legs, line up the screw holes, use 4 pcs (#68) Screw I (M6X15L) to tighten.



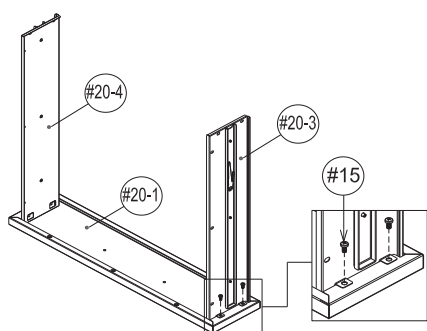
Step 8: Install Wheels (#11 and #13)

Attach 2 pcs (#11) 3"X 2" Wheel With Brake to two front Legs, 2 pcs (#13) 3"X 2" Wheel W/O Brake to two back Legs, use (#25) Wrench to tighten them.

Prep Table (Model No. 20113)



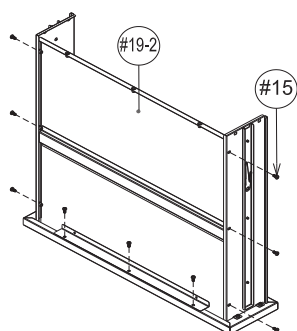
NOTE We recommend TWO people to assemble the worktable cart.



Step 9: Install (#20) Small Drawer

- 1) Install (#20-1) Small Drawer Front Panel, (#20-3) Small Drawer Left Panel, (#20-4) Small Drawer Right Panel

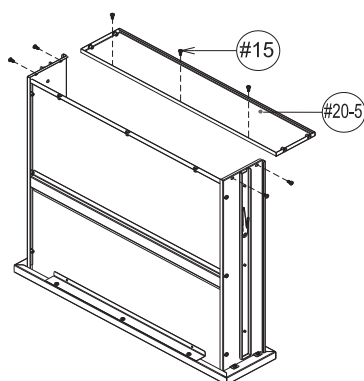
According to the Sticker Instructions, line up the screw holes, then attach (#20-3) Small Drawer Left Panel, (#20-4) Small Drawer Right Panel to (#20-1) Small Drawer Front Panel, use 4 pcs (#15) Screw B (M4 x 8L) to tighten.



Note: In order to adjust when assembling, please don't tighten all screws completely at the beginning, each screw should be fully tightened after the drawer components are assembled together.

- 2) Install (#19-2) Drawer Base Panel

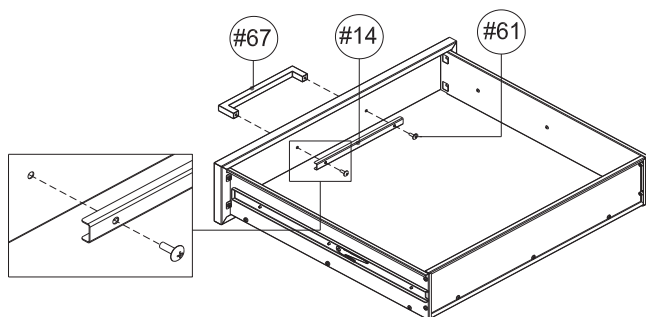
Take out (#19-2) Drawer Base Panel, according to the Sticker Instructions, line up the screw holes, attach (#19-2) Drawer Base Panel to (#20-3) Small Drawer Left Panel, (#20-4) Small Drawer Right Panel and (#20-1) Small Drawer Front Panel, use 9 pcs (#15) Screw B (M4 x 8L) to tighten.



- 3) Install (#20-5) Small Drawer Back Panel

Take out (#20-5) Small Drawer Back Panel, line up the screw holes, attach (#20-5) Small Drawer Back Panel to (#19-2) Drawer Base Panel and (#20-3) Small Drawer Left Panel, (#20-4) Small Drawer Right Panel, use 7 pcs (#15) Screw B (M4 x 8L) to tighten.

Note: Tighten all screws after adjusting the drawer on the same level.



- 4) Install (#67) Handle and (#14) Drawer Handle Bracket

As shown in the picture, assemble (#67) Handle and (#14) Drawer Handle Bracket, line up the screw holes, use 2 pcs (#61) Screw O (M4 x 12L) to tighten.

Prep Table (Model No. 20113)



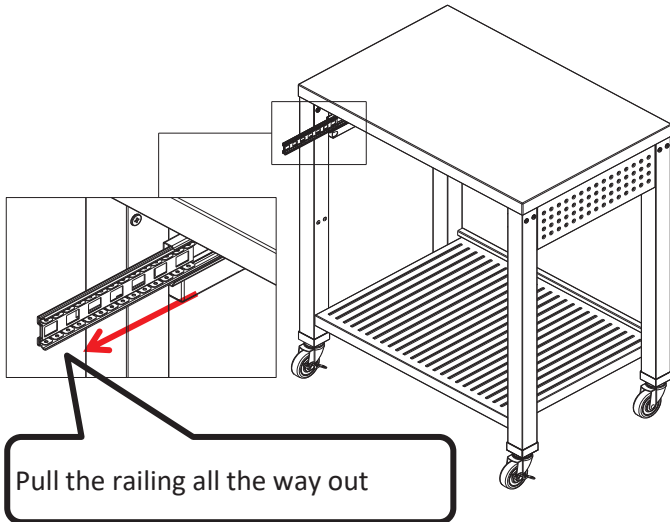
NOTE We recommend TWO people to assemble the worktable cart.



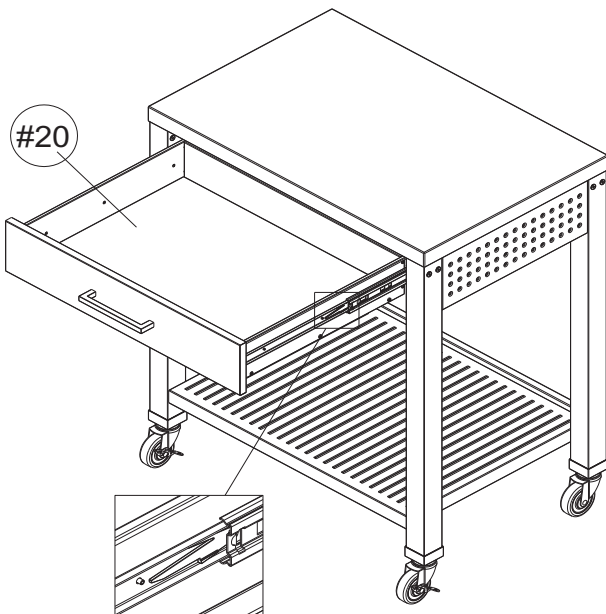
Step 10: Install (#20) Small Drawers into Workcenter

- 1) Fully pull out and extend the side rails of the drawer brackets as shown in the image.

Note: After pulling out each side rail, make sure all the ball bearings on each side rail are visible and that the side rails are fully extended outward.

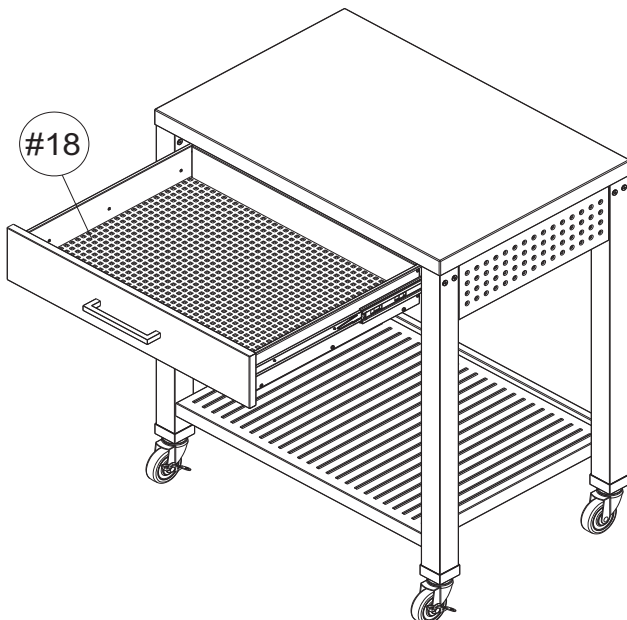


- 2) Line up the inner rails with both the Small Drawer Left Panel and Right Panel on the full assembled drawer. Next, with both hands push the drawer into both rails slowly (at the same time) to lock the drawer in place on the rails.



Step 11: Place Drawer Mat (#18) into Drawers

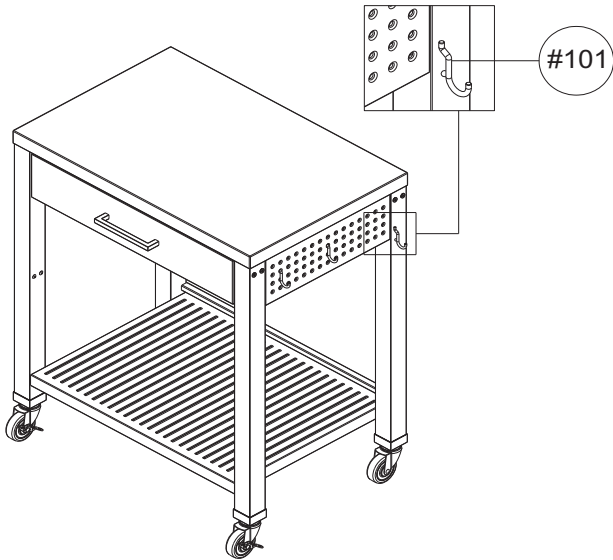
Pull out the (#20) Small Drawer and place the (#18) Drawer Mat in the drawer.



Prep Table (Model No. 20113)



NOTE We recommend TWO people to assemble the worktable cart.

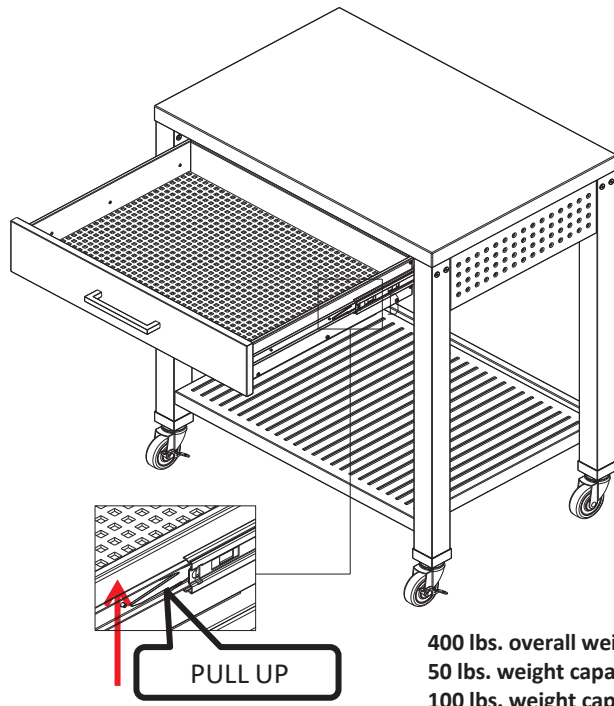
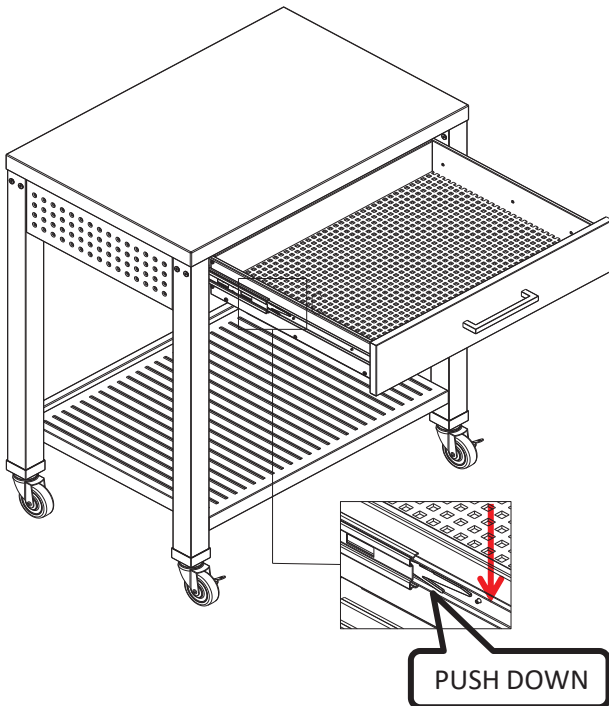


Step 12: Install (#101) 1" Hook

As shown in the image, hang the (#101) 1" Hooks on the holes on both sides of the Side Pegboard Panels. Assembly is now complete.

How do I remove the drawer from the worktable cart?

To pull the drawer out of the worktable cart, simply fully extend the drawer from the body of the cart then push up the black plastic clip on the right side of the drawer, then push down the black plastic clip on the left side of the drawer. Now you can remove the drawer.



400 lbs. overall weight capacity
50 lbs. weight capacity for drawer
100 lbs. weight capacity for shelf
300 lbs. on the wood top

Stainless Steel Maintenance:

These parts have UltraGuard fingerprint resistant finish. Do not use traditional stainless steel cleaners on this unit. Lightly wipe off once a month with clean warm water and a soft cloth (preferably a micro fiber cloth). This is the safest formula to prevent new stains from appearing over time and manage unwanted fingerprints or grease marks. Remember to always wipe in the direction of the surface grain (NEVER ACROSS) and always use a lint-free cloth. Once the surface is clean, thoroughly wipe dry with a soft absorbent cloth.

Wood Top

Although great care is taken to hand select consistent wood top color and grain for products, there can and will be natural variations in color and graining between finished products. These variations contribute to the beauty of using a natural material as a workbench and are considered standard quality. Variations of color within these standards and minor scratches in the clear coat finish will not be a reason for replacement. If the wood top is received with excessive damage or splitting, Seville Classics will guarantee replacement of the wood top.

Restore Shallow Scratches or Chips

If the wood top becomes scratched and chipped over time or during assembly, a Polyurethane finish can be applied to help restore the wood's natural texture, as well as protect the surface from future damage.

Applying a Polyurethane Coating

Please follow the manufacturer's instruction on the product for application.

CONTACT INFORMATION

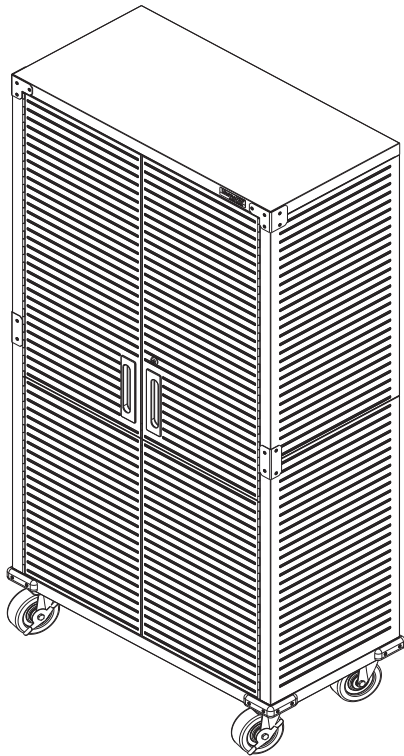
If you are missing any parts, have any questions, or need additional assistance in assembly, please contact our bilingual (English and Spanish) customer service department at:



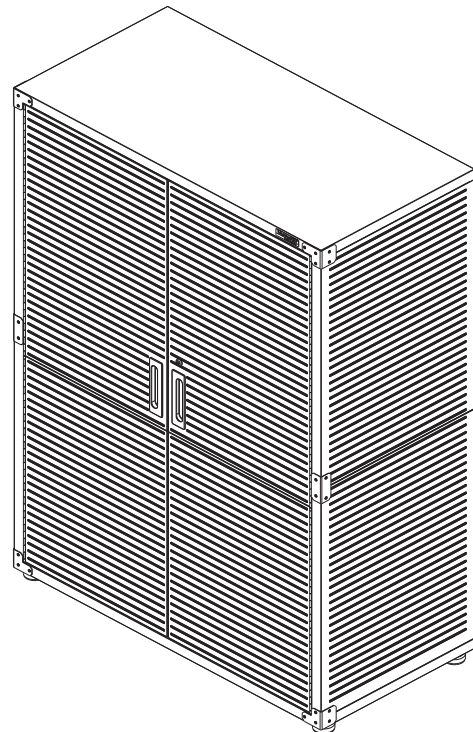
Seville Classics, Inc.
19401 Harborgate Way Torrance, CA 90501 USA
Telephone: (800) 323-5565 within USA
Fax: (310) 533-3899
Hours: 8:30am - 4:30pm (Pacific Standard Time)
E-mail: support@sevilleclassics.com
Website & Online Store: www.sevilleclassics.com

*****Please visit our website or call to inquire about our other product lines*****

UltraHD® Line

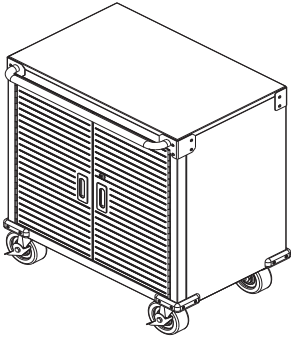


UltraHD® Tall Storage Cabinet
Model No. 16236 (Granite)
Model No. 20143 (Graphite)
Model No. 20153 (Red)
Model No. 20133 (White)

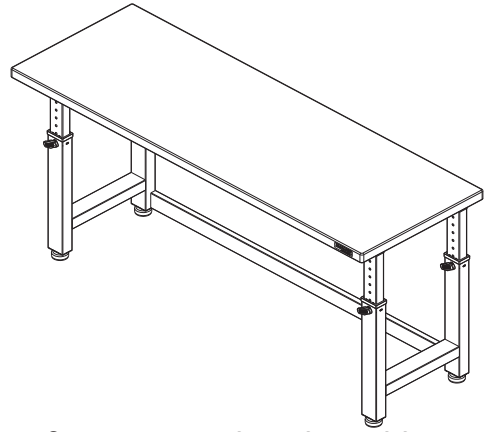


UltraHD® Mega Storage Cabinet
Model No. 16238 (Granite)
Model No. 20148 (Graphite)
Model No. 20158 (Red)
Model No. 20138 (White)

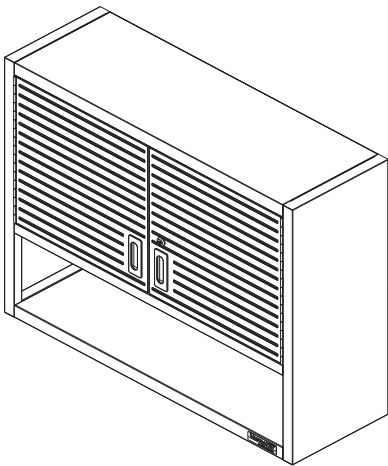
UltraHD® Line



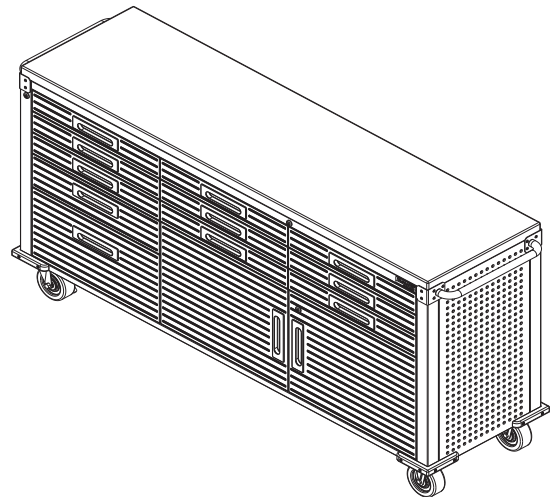
UltraHD® 2-Door Rolling Cabinet
Model No. 20227 (Granite)
Model No. 20145 (Graphite)



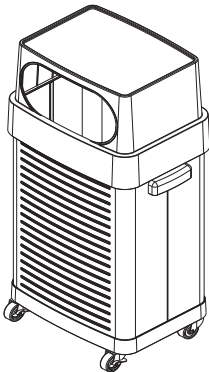
UltraHD® 6-Foot Height Adjustable Workbench
Model No. 20292 (Granite)
Model No. 20293 (Graphite)



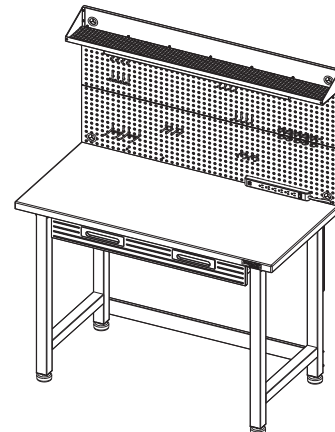
UltraHD® Wall Cabinet with Open Shelf
Model No. 20230 (Granite)
Model No. 20140 (Graphite)
Model No. 20150 (Red)
Model No. 20130 (White)



UltraHD® 2-Door Rolling Workbench
Model No. 20262 (Granite)
Model No. 20142 (Graphite)
Model No. 20152 (Red)



UltraHD® Rolling Trash Bin
Model No. 20215



UltraHD® Lighted Workcenter
Model No. 20247 (Granite)
Model No. 20246 (Graphite)
Model No. 20157 (Red)