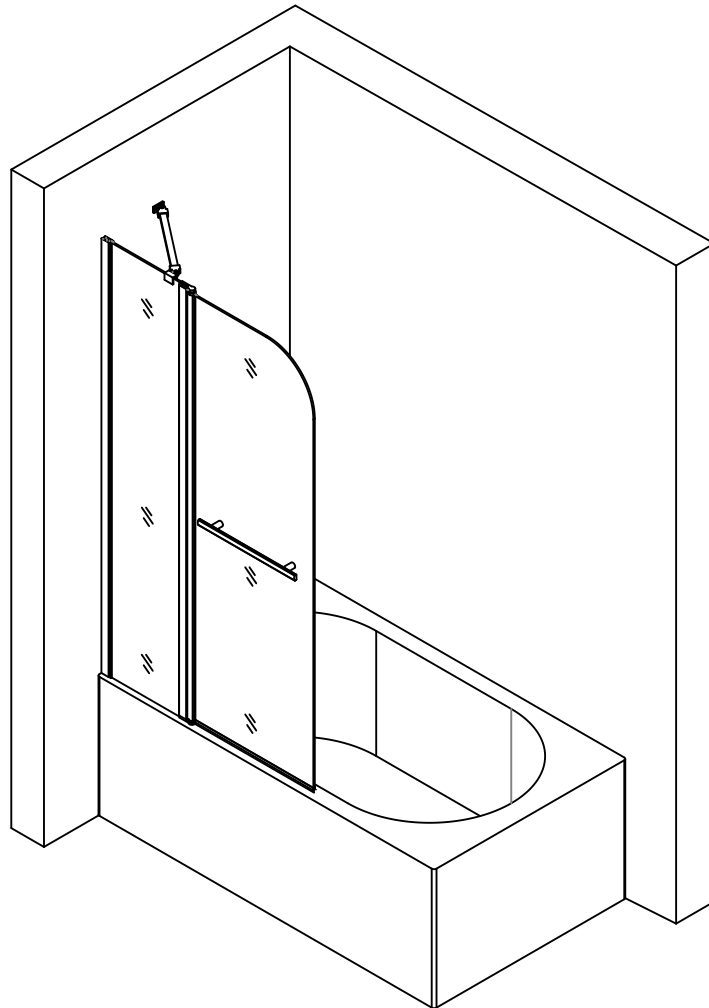


Shower Door Installation Guide

RX-SD28



Rainlex

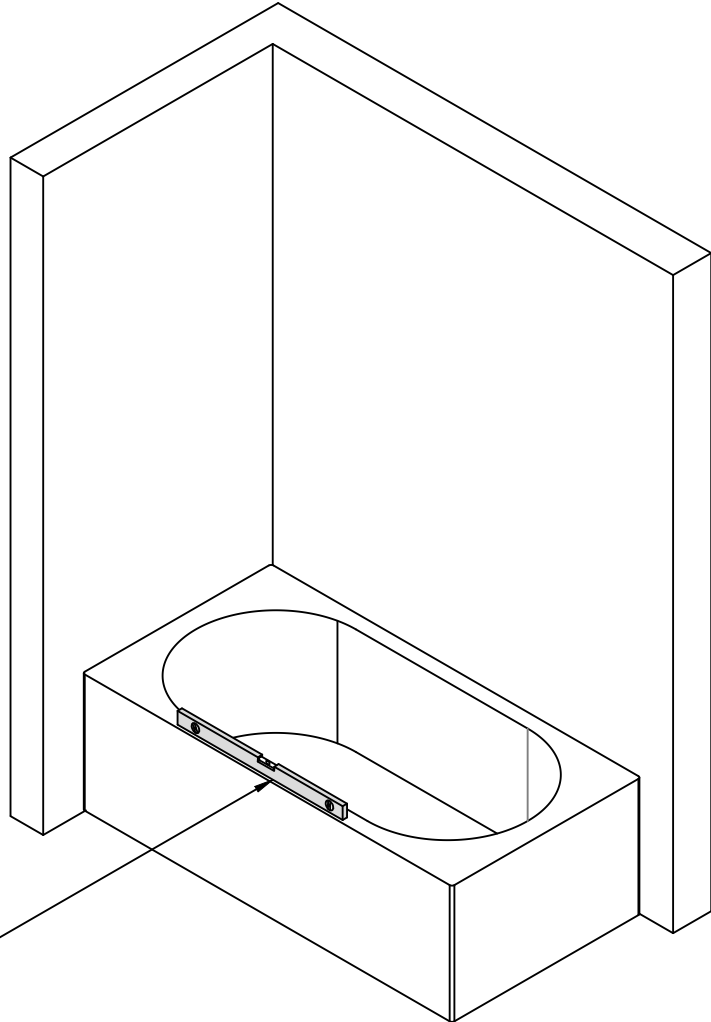
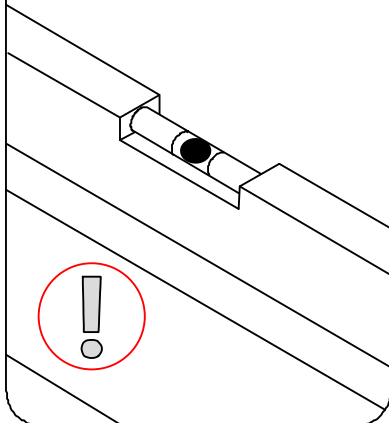
Model Specific Preparation



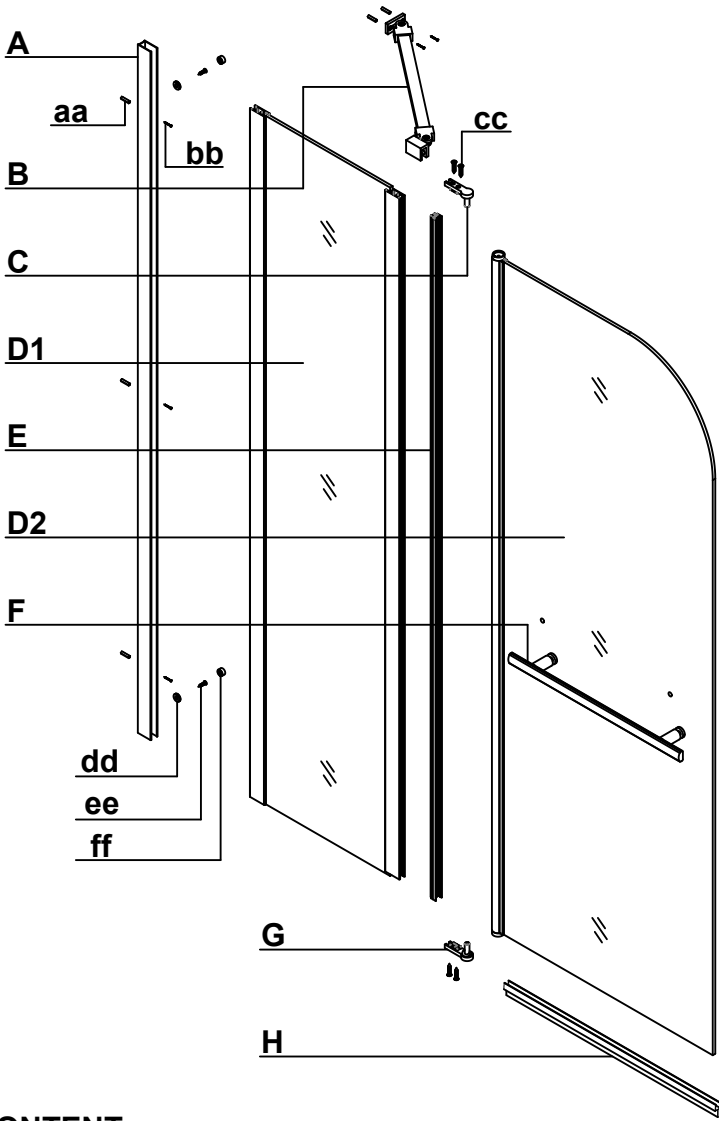
REQUIRED:

Inspect the shower threshold for level with a level or straightedge. Adjust the threshold as necessary until achieving perfectly horizontal.

The threshold must be perfectly horizontal.



PACKAGE CONTENT

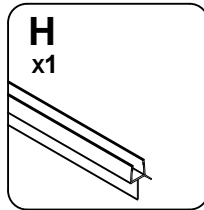
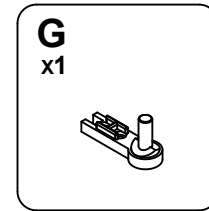
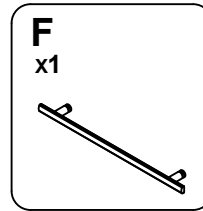
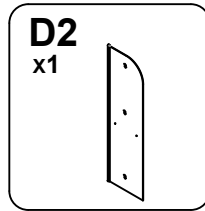
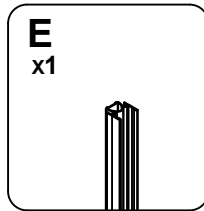
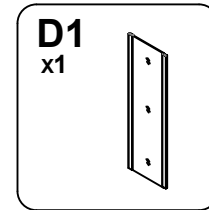
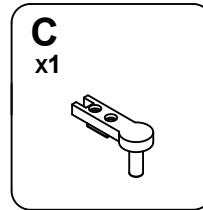
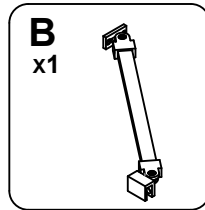
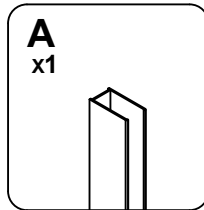


PACKAGE CONTENT

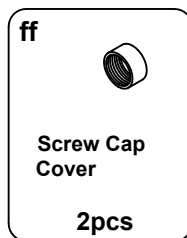
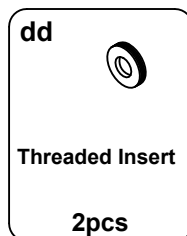
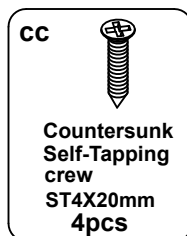
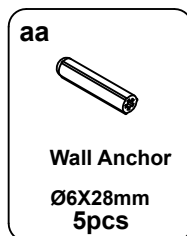
PART#	DESCRIPTION	QTY	PART#	DESCRIPTION	QTY
A	Wall Channel	1	D2	Pivot Glass Door	1
B	Adjustable Support Bar	1	F	Handle	1
C	Top Pivot Block	1	G	Adjustable Bottom Pivot Block	1
D1	Fixed Glass Panel	1	H	Bottom Seal Sweep	1
E	Center Seal Strip	1			

NOTE Please inspect all parts for any missing items before installation! If any part is missing, please contact us.

PACKAGE CONTENT



HARDWARE CONTENT



Additional spare parts are included.

NOTE

**Inspect all parts for any missing items prior to installation!
Contact us if any parts are missing.**


TOOLS REQUIRED

Drill Bits




Ø1/4" & Ø5/16" (6 & 8mm) dia.
HSS

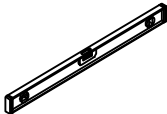
Screw Driver



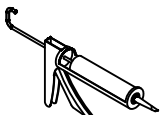
Drill




Level




Silicone




Measuring Tape



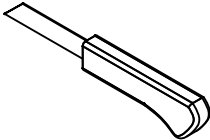
Soft Head Hammer



Pencil



Knife




**Masonry Drill Bit For Tile
Ø6mm**



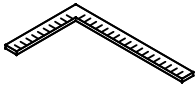
Safety Glasses



Gloves



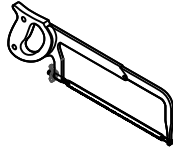
Carpenter's Squarer



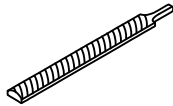
Masking or Painter's Tape



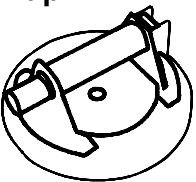
Hack Saw



Metal File



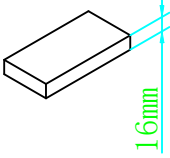
Glass suction Cup



**Drill Bit
Ø3mm**



wooden pad



SAFETY INFORMATION

CAUTION

Please carefully read the following important safety information before handling or installing this shower door. There is a risk of serious injury while handling this product.

To minimize these risks, please note:

- Always wear safety glasses and gloves while handling.
- Always follow the installation instructions.
- Inspect the glass for damage before installation.
- Extreme caution should be taken while handling the glass during installation, as the tempered glass may shatter if it comes into contact with a hard surface.
- Do not cut or modify the tempered glass, as it will shatter if cut.
- Carefully remove the product from its packaging and keep the packaging until the installation is complete.
- Inspect all parts for damage or missing items. If there is any damage or missing parts prior to installation, please contact your seller for help.
- Cover the drain with tape to prevent the loss of small parts.
- The shower base and finished walls should be installed before beginning the shower door installation.
- During installation, protect the shower floor with a drop cloth to prevent damage.
- This product should be installed by two people who are familiar with construction requirements. Professional installation is recommended!
- Keep this installation manual for future reference.

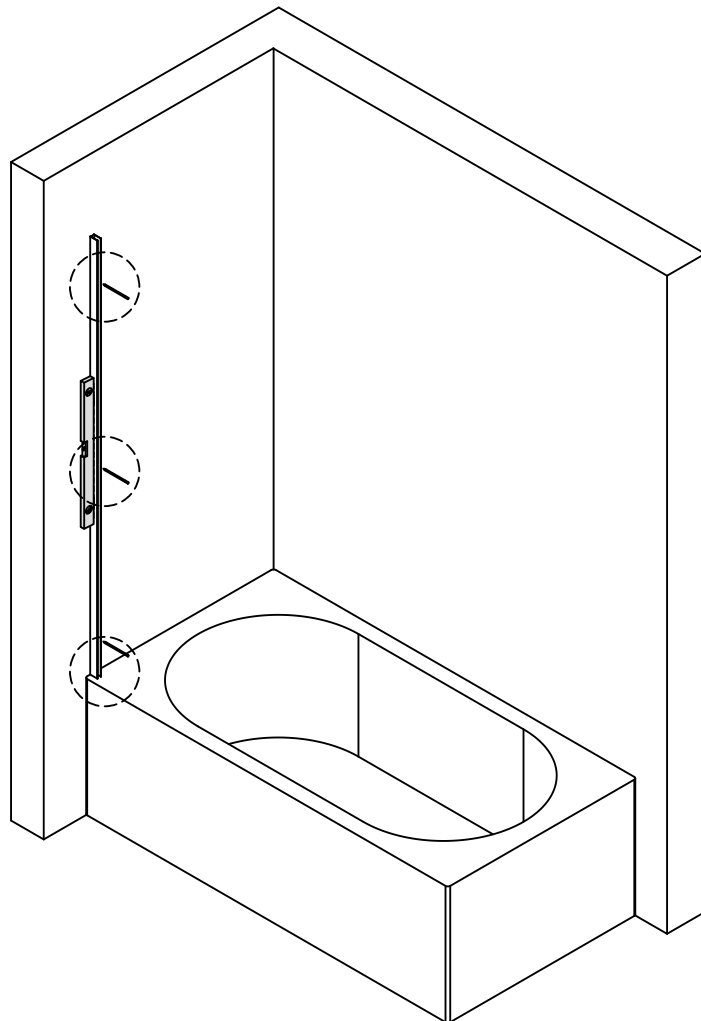
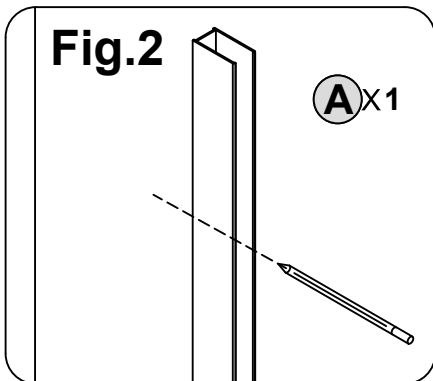
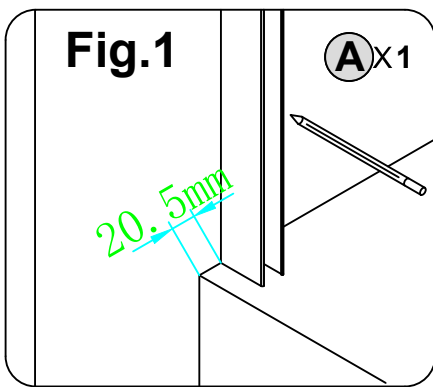
NOTE: Two people should perform this installation.



1 Install **Wall Channel (A)**

NOTE

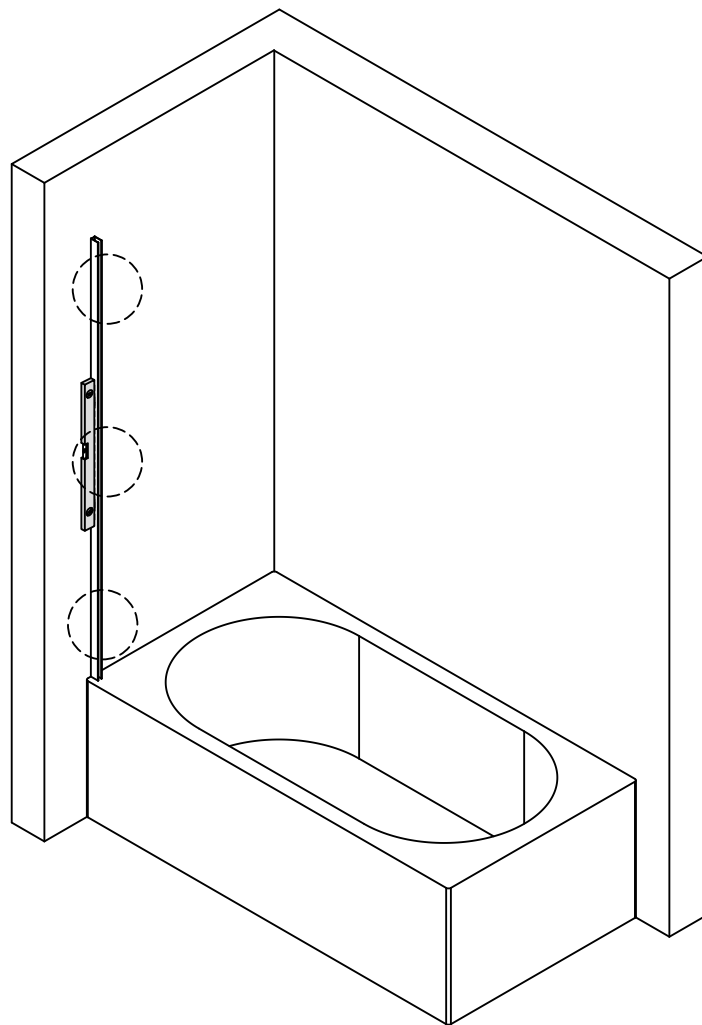
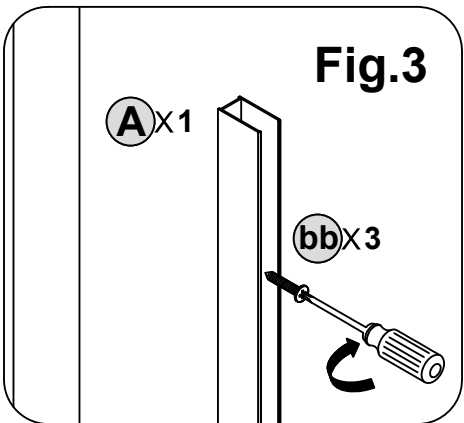
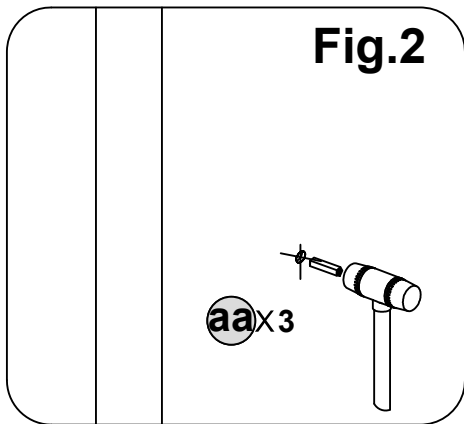
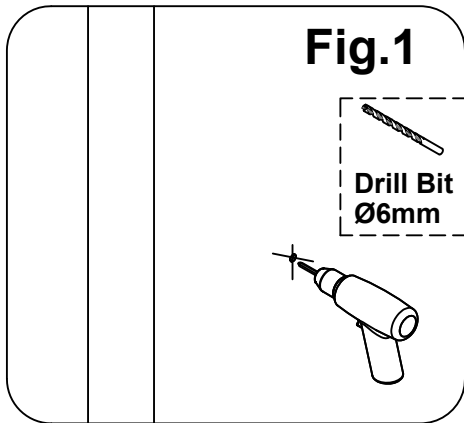
1. Position the **Wall Channel (A)** 13/16" (20.5mm) from the edge. Use a level to ensure the **Wall Channel (A)** is perfectly vertical.
2. Mark the drilling points on the wall through the holes in the **Wall Channel (A)** using a pencil.



2 Install **Wall Channel (A)**

NOTE

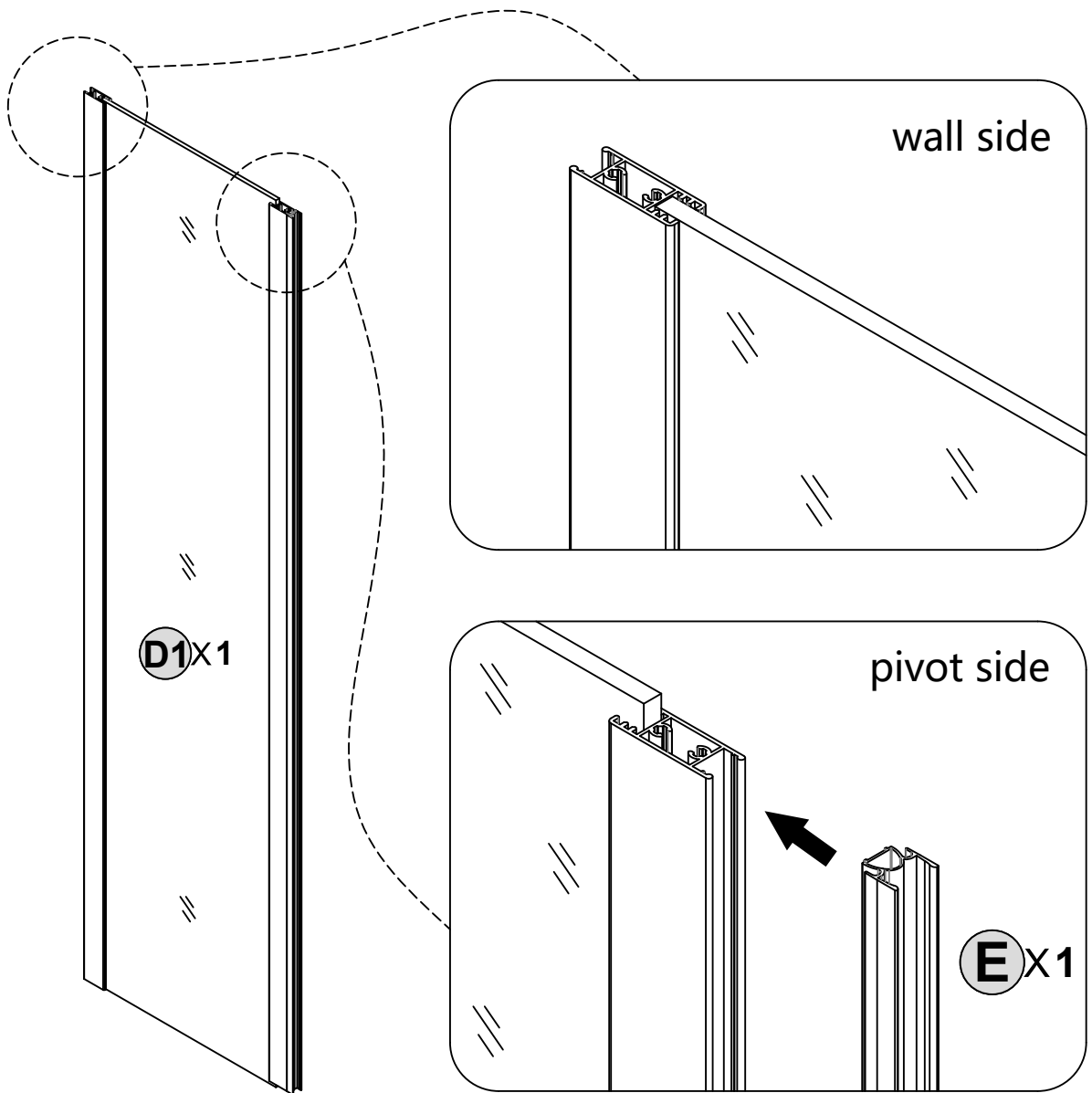
1. Remove the **Wall Channel (A)**. Drill $\varnothing 6\text{mm}$ holes at the marked points using an electric drill.
2. Tap the **wall anchors (aa)** into the wall holes using a soft-head hammer.
3. Secure the **Wall Channel (A)** to the wall using **ST4x30mm countersunk self-tapping screws (bb)**, ensuring it remains perfectly vertical.



3 Install **Center Seal Strip (E)**

NOTE

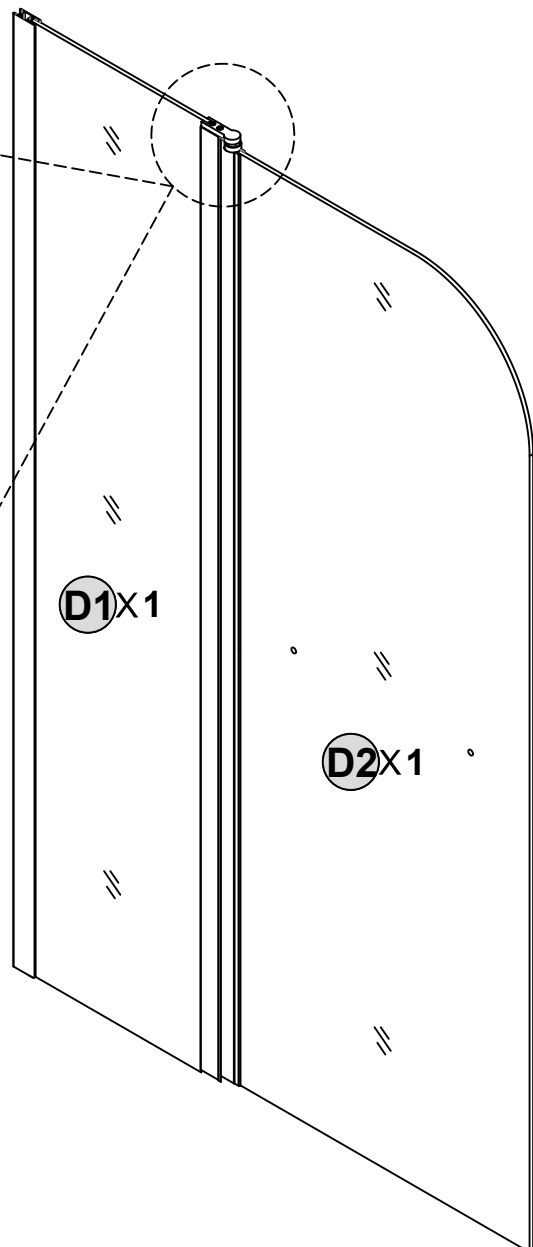
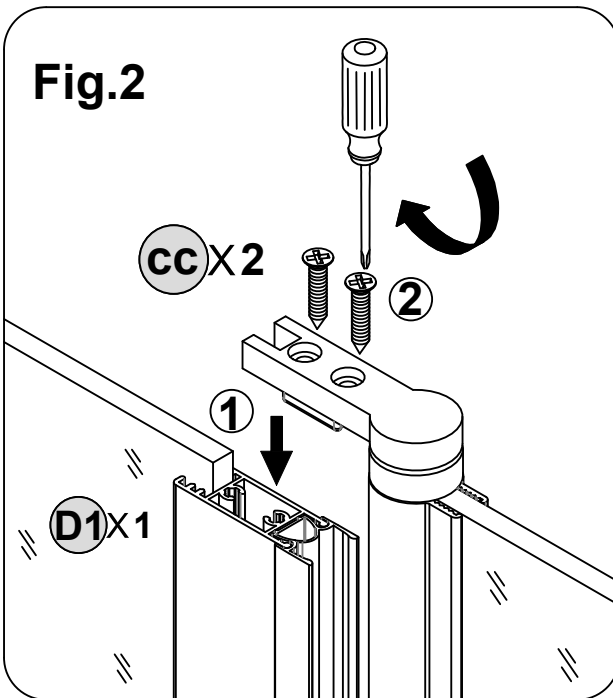
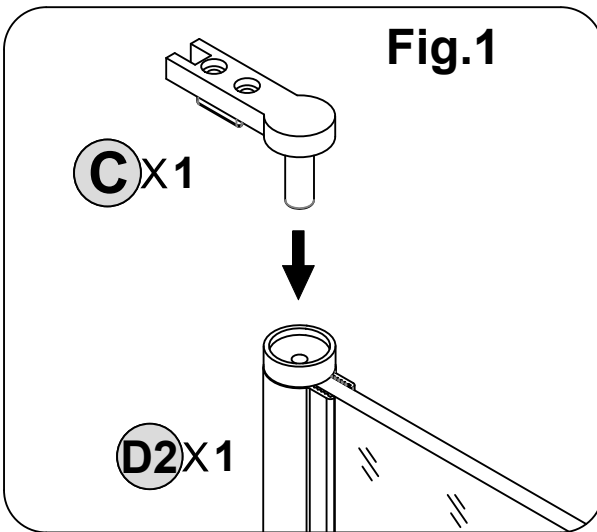
Clip the **Center Seal Strip (E)** into the edge channel of the **Fixed Glass Panel (D1)**. (Note: Distinguish the wall side and the pivot side. The wall side channel is flush with the glass, pivot side channel is slightly shorter than glass, leaving the space for pivot block installation)



4 Install Top Pivot Block (C)

NOTE

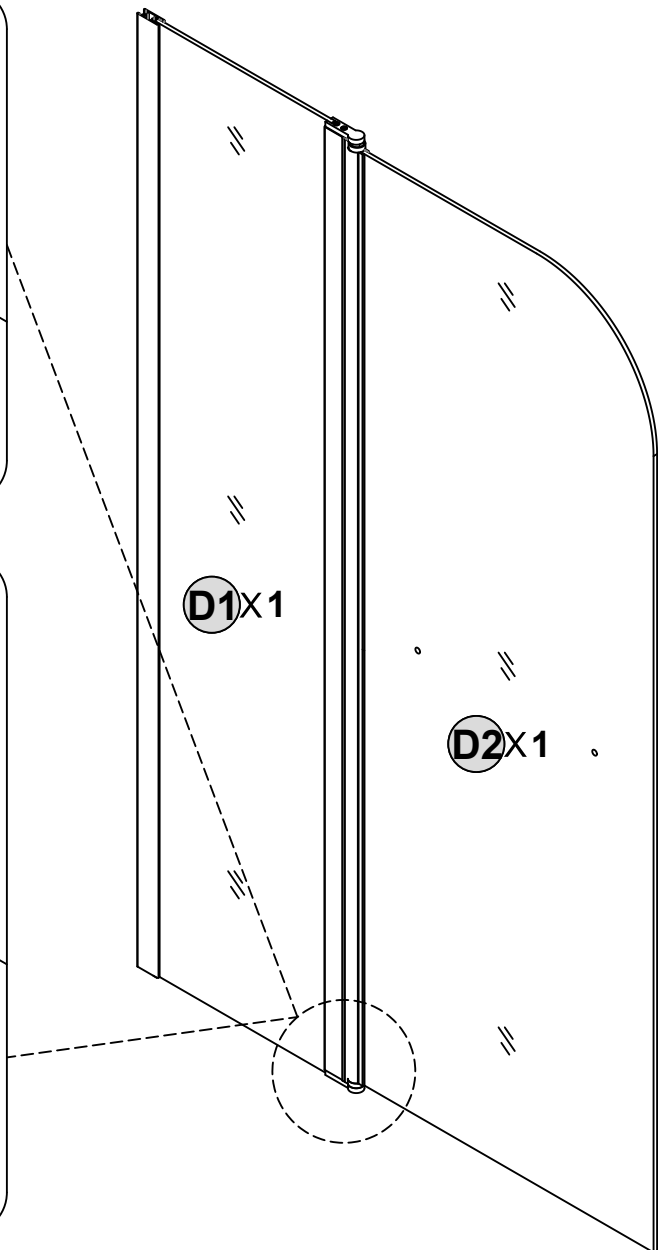
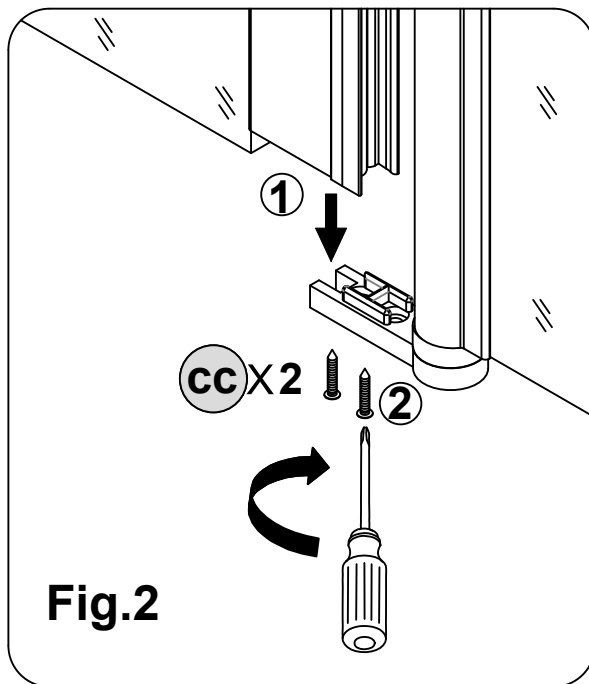
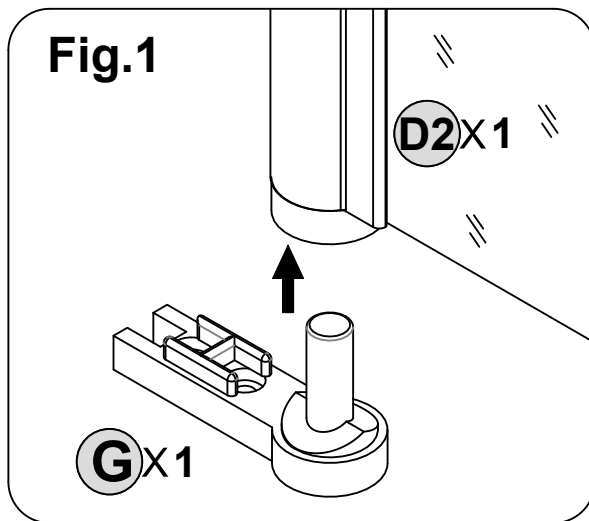
1. Insert the **Top Pivot Block (C)** into the top hole of the **Pivot Glass Door (D2)**. (Note: Distinguish between the **Top Pivot Block (C)** and the **Adjustable Bottom Pivot Block (G)**).
2. Snap the slot of the **Top Pivot Block (C)** into the edge channel of the **Fixed Glass Panel (D1)**. Secure it using **ST4x20mm countersunk self-tapping screws (cc)**.



5 Install **Adjustable Bottom Pivot Block (G)**

NOTE

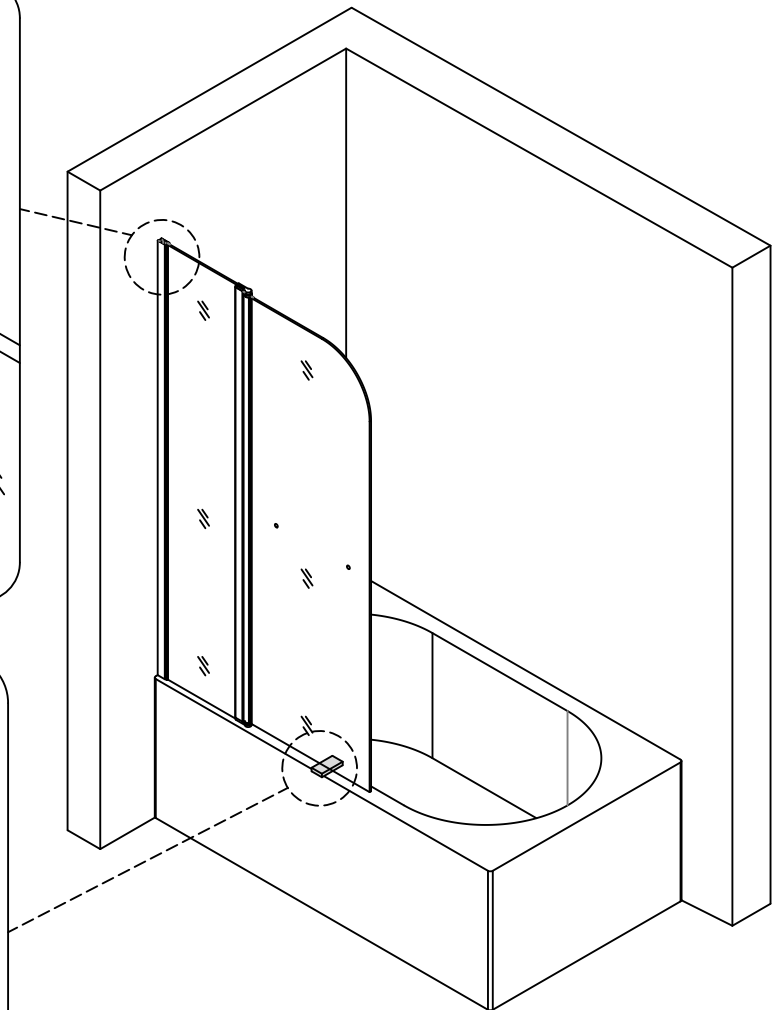
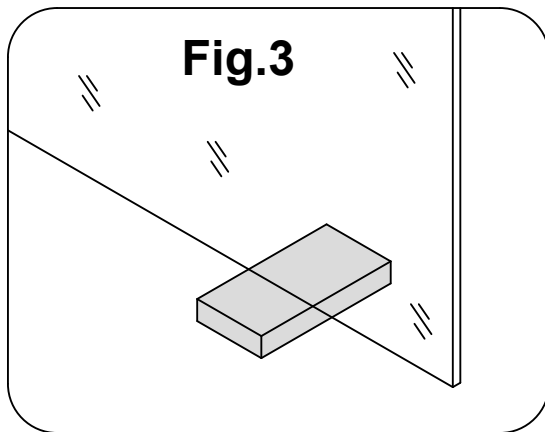
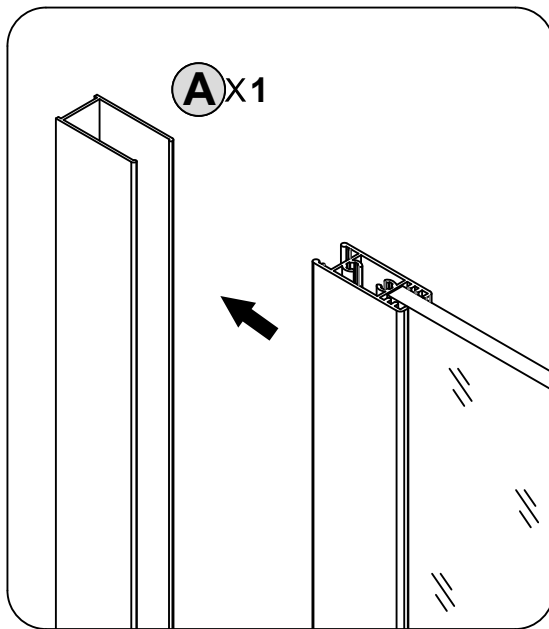
1. Insert the **Adjustable Bottom Pivot Block (G)** into the bottom hole of the **Pivot Glass Door (D2)**.
2. Snap the slot of the **Adjustable Bottom Pivot Block (G)** into the edge channel of the **Fixed Glass Panel (D1)**. Secure it using **ST4x20mm countersunk self-tapping screws (cc)**.



6 Install **Fixed Glass Panel (D1)** and **Pivot Glass Door (D2)**

NOTE

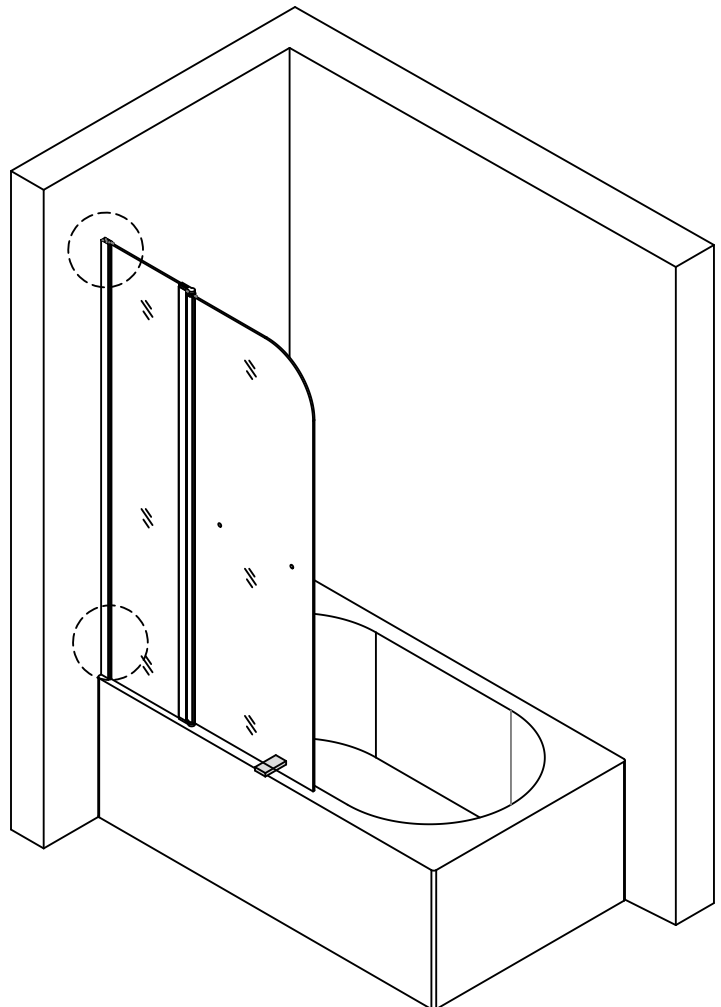
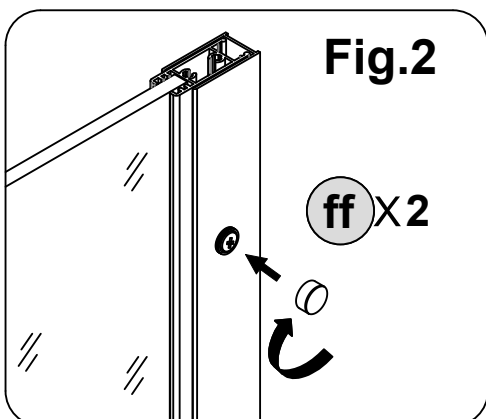
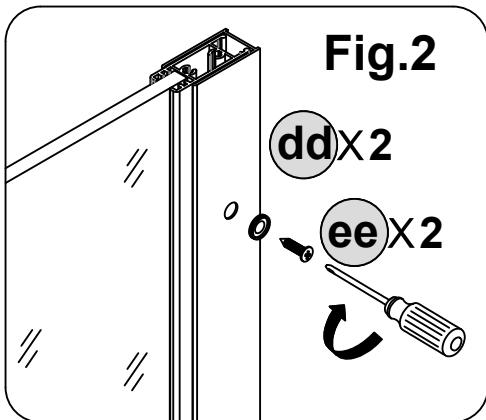
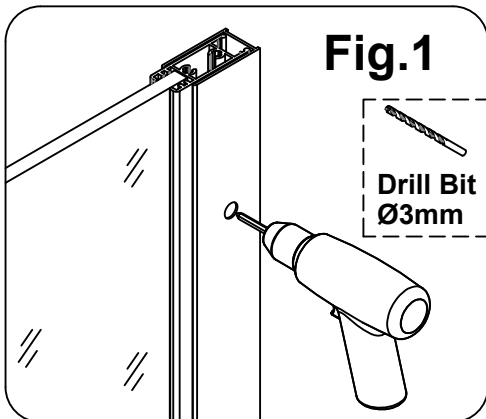
Place wooden blocks under the bottom of the **Fixed Glass Panel (D1)** and **Pivot Glass Door (D2)**. Clip the wall side edge channel of the **Fixed Glass Panel (D1)** into the **Wall Channel (A)**.



7 Secure **Pivot Glass Door (D2)**

NOTE

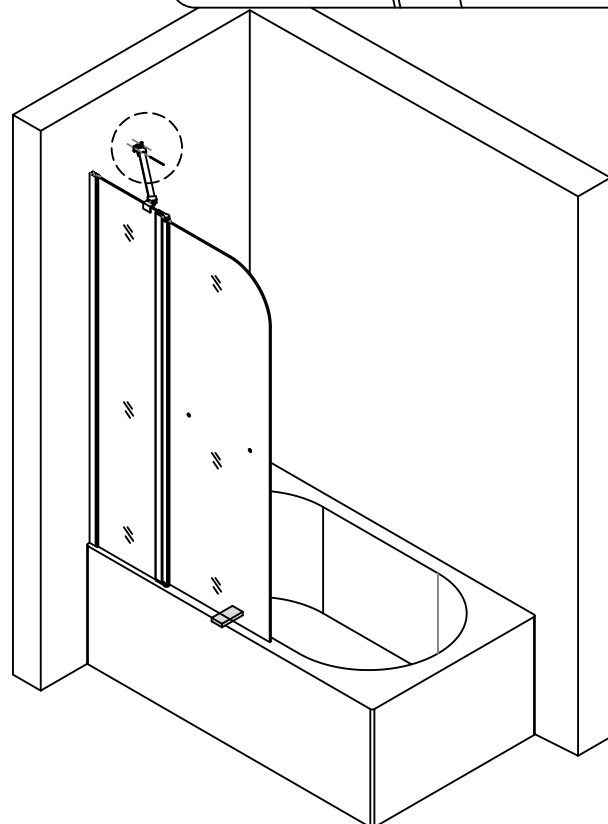
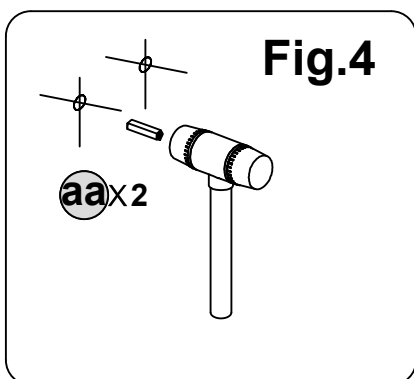
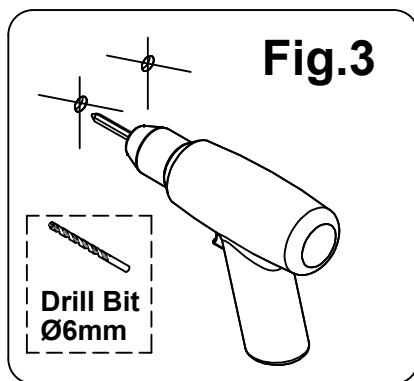
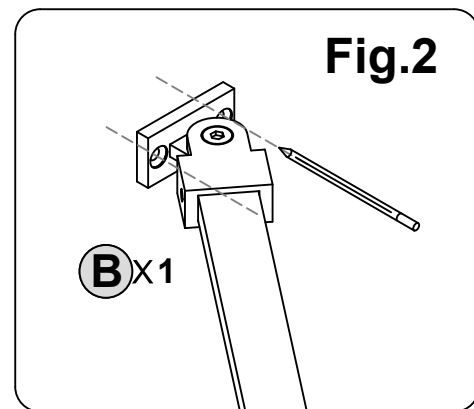
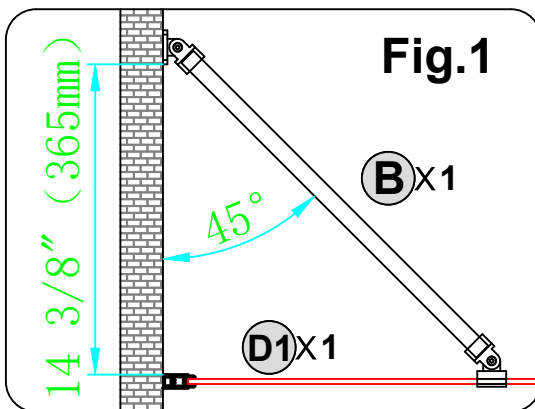
1. Drill two Ø3mm pre-marked holes on the **Wall Channel (A)** in total, one upon and one below.
2. Place the **threaded inserts (dd)** over the **ST4x12mm flat head self-tapping screws (ee)**. Tighten the screws into the **Wall Channel (A)** using a screwdriver.
3. Screw the **screw cap covers (ff)** onto the **threaded inserts (dd)**.



8 Install **Adjustable Support Bar (B)**

NOTE

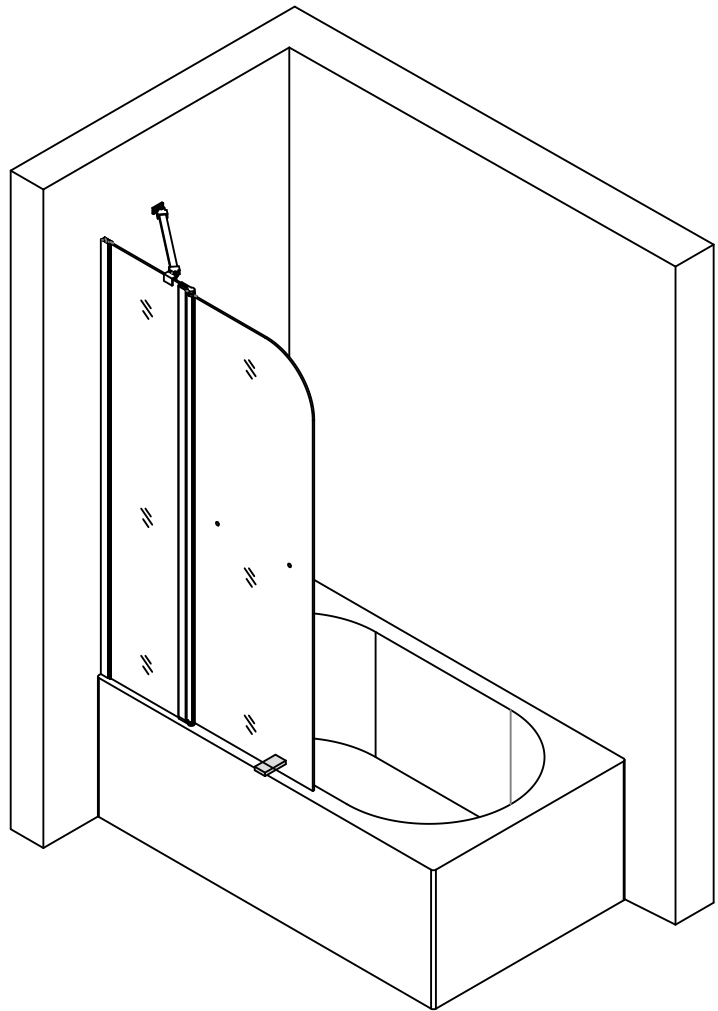
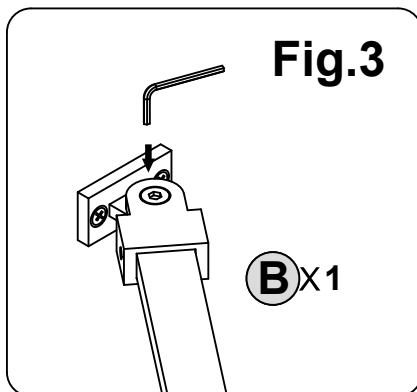
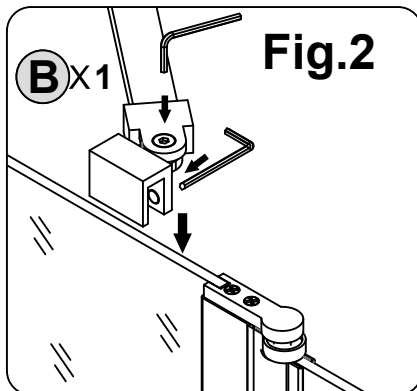
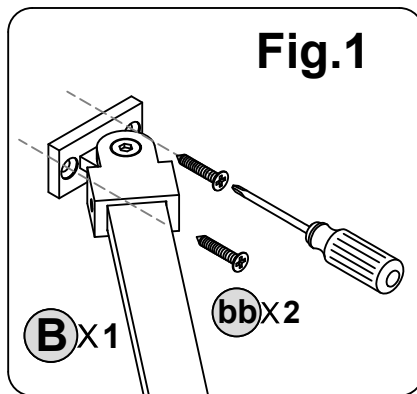
1. Engage one end of the **Adjustable Support Bar (B)** onto the **Fixed Glass Panel (D1)**. Position the wall-mount end against the wall, 14 3/8" (365mm) from the inner edge of the **Wall Channel (A)**, at a 45° angle.
2. Mark the drilling points on the wall through the holes in the **Adjustable Support Bar (B)** using a pencil.
3. Remove the **Adjustable Support Bar (B)**. Drill Ø6mm holes at the marked points using an electric drill.
4. Tap the **wall anchors (aa)** into the wall holes using a soft-head hammer.



9 Secure Adjustable Support Bar (B)

NOTE

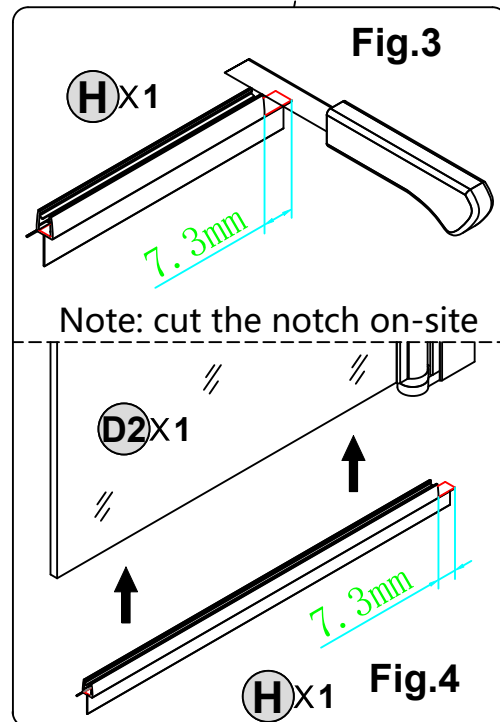
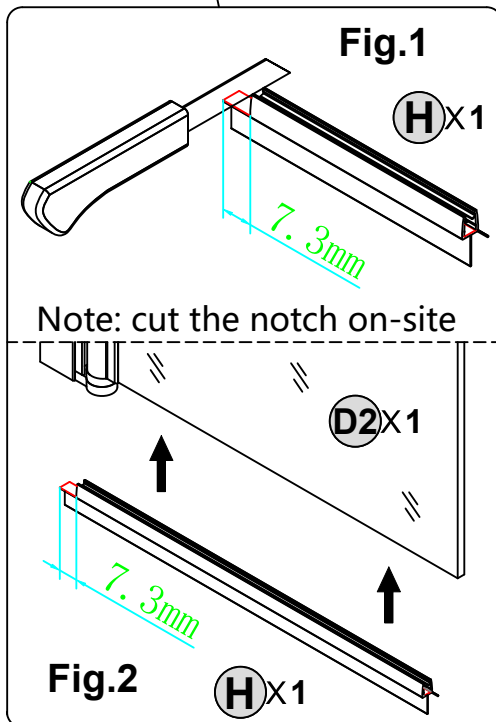
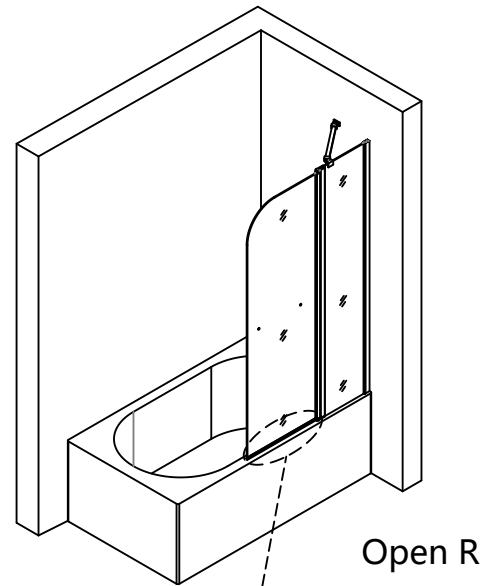
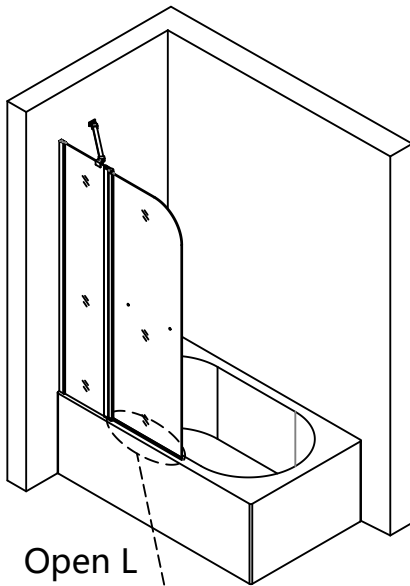
1. Secure the wall-mount end of the **Adjustable Support Bar (B)** to the wall using **ST4x30mm countersunk self-tapping screws (bb)**.
2. Engage the other end of the **Adjustable Support Bar (B)** onto the **Fixed Glass Panel (D1)**. Tighten the set screw using a hex key.
3. Tighten the set screw on the Secure **Adjustable Support Bar (B)** using a hex key.



10 Attach **Bottom Seal Sweep (H)** on **Pivot Glass Door (D2)**

NOTE

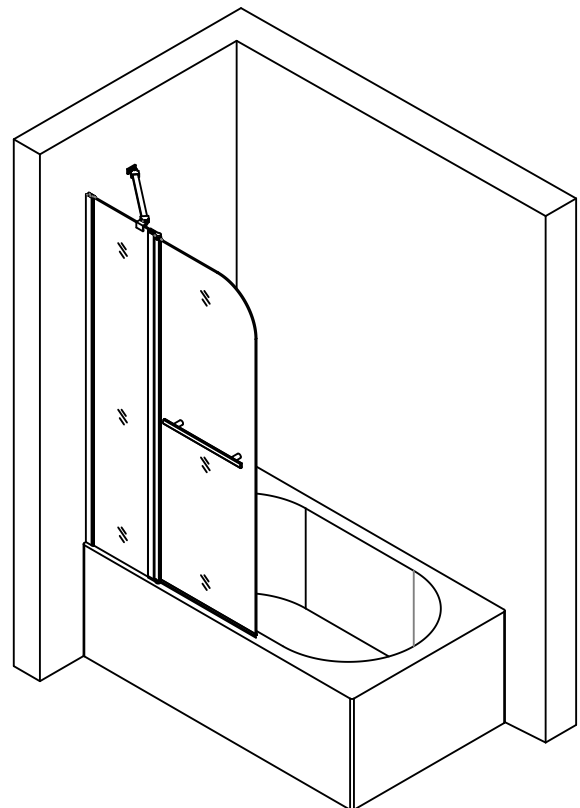
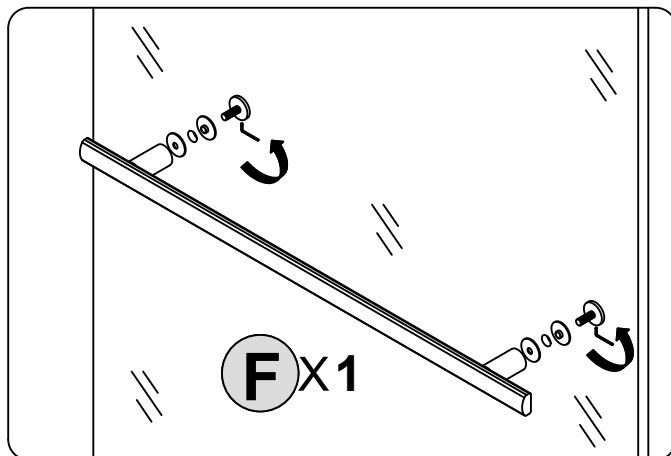
1. First, cut a 7.3mm notch in the **Bottom Seal Sweep (H)** at the position against the pivot side.
 2. Then, align the **Bottom Seal Sweep (H)** flush against the pivot edge and snap it onto the bottom of the **Pivot Glass Door (D2)**.
- (Note: If the unit is installed on the right-hand side, refer to Fig.3 and Fig.4 for the notch location on the **Bottom Seal Sweep (H)**).



11 Install Handle (F)

NOTE

Install the **Handle (F)** on the **Pivot Glass Door (D2)**. Ensure all provided plastic washers are used to protect the glass.



12 SEALING

NOTE The surfaces need to be clean and free of debris before applying silicone.

NOTE Make sure the shower door is tightly closed and opens smoothly. Apply high-quality asbestos sealant along the bottom of the fixed glass and the bottom of the lower water barrier.

! Allow 24 hours for the silicone to cure before using the shower.



! Apply Silicone Sealant,(not supplied).

Apply silicone to the wall position on the outside of the wall material.

