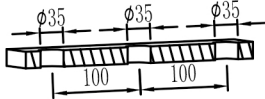
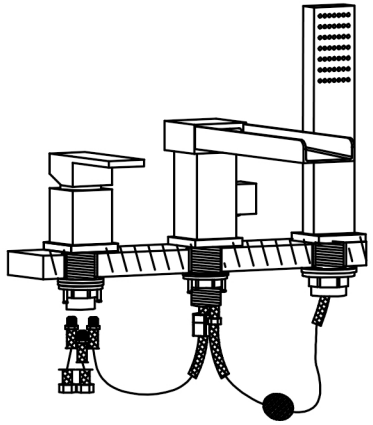
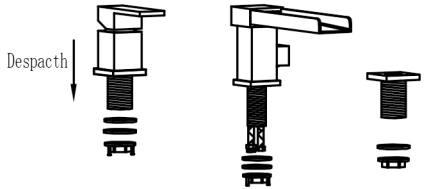


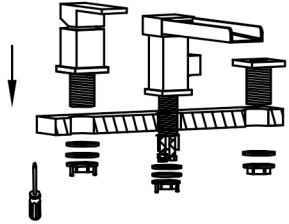
Three Holes Faucet



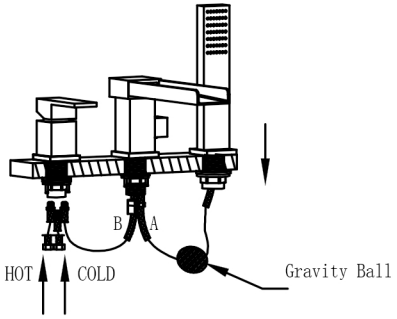
1. Hole: 35mm, Distance: 100mm



2. Uninstall the handle, bottom tray, screws on spout and pad



3. Fixed the spout and tray of shower with screws



4. Pulling pipe connect with the shower handle and then through the shower holder to connect with the pipe A. Gravity ball fixed on the top of the pull out pipe. Switch pipe connect to the pipe B and finally contact to the hot and cold water hose.