



PREMIUM HOME SOLUTION



USE AND CARE GUIDE

GA223-1020



**Questions, problems, missing parts? Before returning to the store
please contact our Customer Service**

• service@alphamarts.com •

THANK YOU

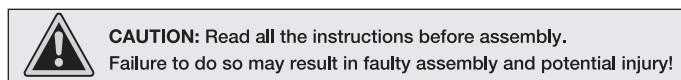
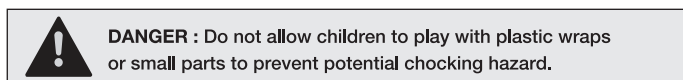
We appreciate the trust and confidence you have placed in us through the purchase of our product. We strive to continually create quality products designed to enhance your home. Visit us online to see our full line of products available for your home improvement needs. Thank you for choosing us!

Table of Contents

Table of Contents	2	Pre-assembly	3-4
Safety Information	2	Assembly	5-18
Warranty	2	Care And Maintenance	19
What is Covered	2		
What is Not Covered	2		

Safety Information

- **Do not completely tighten screws until all screws are started.** Tighten each bolt firmly and properly.
- Some parts may contain sharp edges. Wear protective gloves as necessary.
- Children under the age of 16 should not be engaged in the assembly, removal or disassembly of the product. Children under the age of 10 should be supervised by a competent adult while using this furniture.
- Please keep children out of the assembly area during assembly.
- This set is heavy, and may require two adults for safe assembly.
- Never use this product as a support. Do not shake, lean, or climb on the product at any time.



Warranty

LIMITED WARRANTY

This warranty is a limited warranty, and applies to the original purchase is required. This is a residential warranty and does not apply to commercial use. This collection carries a (1) year limited warranty and is valid from original date of purchase to the original owner (proof of purchase required).

WHAT IS COVERED

We warrant the frame to be free of Manufacturing defects to the original purchaser for one year.

WHAT IS NOT COVERED

This warranty does not cover commercial use, hardware, acts of nature, fire, freezing and abusive.

In addition, purchased parts are not covered under this warranty.

We reserve the right to make substitutions with similar merchandise, if the model in question is no longer in production.

For a copy of our full limited warranty, please contact our customer service team.

Pre-assembly (continued)

Assemble the item on a soft, non-abrasive surface, such as carpet or cardboard to avoid damaging the item. Seek assistance to assemble bulky or heavy items.



NOTE: Identify all parts packed in the carton against the parts list. Remove all the protective material carefully and DO NOT use a knife to prevent scratching the furniture.

PACKAGE CONTENTS



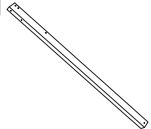







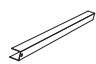
NOTE: Hardware not shown to actual size.

ATTENTION:

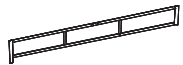
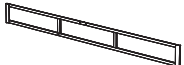



1. Please fix all the screws first, do not lock off, after assembling fully completed, lock all at once finally.
2. Please check the manual carefully and make sure you have received all the parts.
3. If there is any parts missing, please let us know the NO of the parts you need.
4. If there is any damage, please send clear photos to us, we will check and offer you best solution soon.



Part List (BOX A)

A 	B1 	B2 	B3 	C 
6PCS	2PCS	2PCS	2PCS	8PCS
D1 	D2 	I 	T 	
2PCS	1PCS	3PCS	20PCS	

Part List (BOX B)

G1 	G2 	H1 	H2 	V 
3PCS	3PCS	4PCS	4PCS	22PCS

Pre-assembly (continued)

Assemble the item on a soft, non-abrasive surface, such as carpet or cardboard to avoid damaging the item. Seek assistance to assemble bulky or heavy items.



NOTE: Identify all parts packed in the carton against the parts list.
Remove all the protective material carefully and DO NOT use a knife to prevent scratching the furniture.

PACKAGE CONTENTS

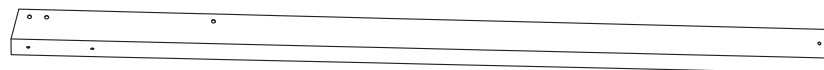


NOTE: Hardware not shown to actual size.

K	T2	J	E1	E2
4PCS	12PCS	6PCS	5PCS	5PCS
F				
22PCS				
#1	#2	#3	#4	#5
M6*15	M6*33	M6	5*20	M6*50
129PCS	58PCS	34PC	22PC	10PCS
#6	#7	#8	#9	#10
1PCS	1PCS	6PCS	6PCS	6PCS
Part List (BOX C)				
GG				
20PCS				

TIP

The leg tube contains pipe fitting

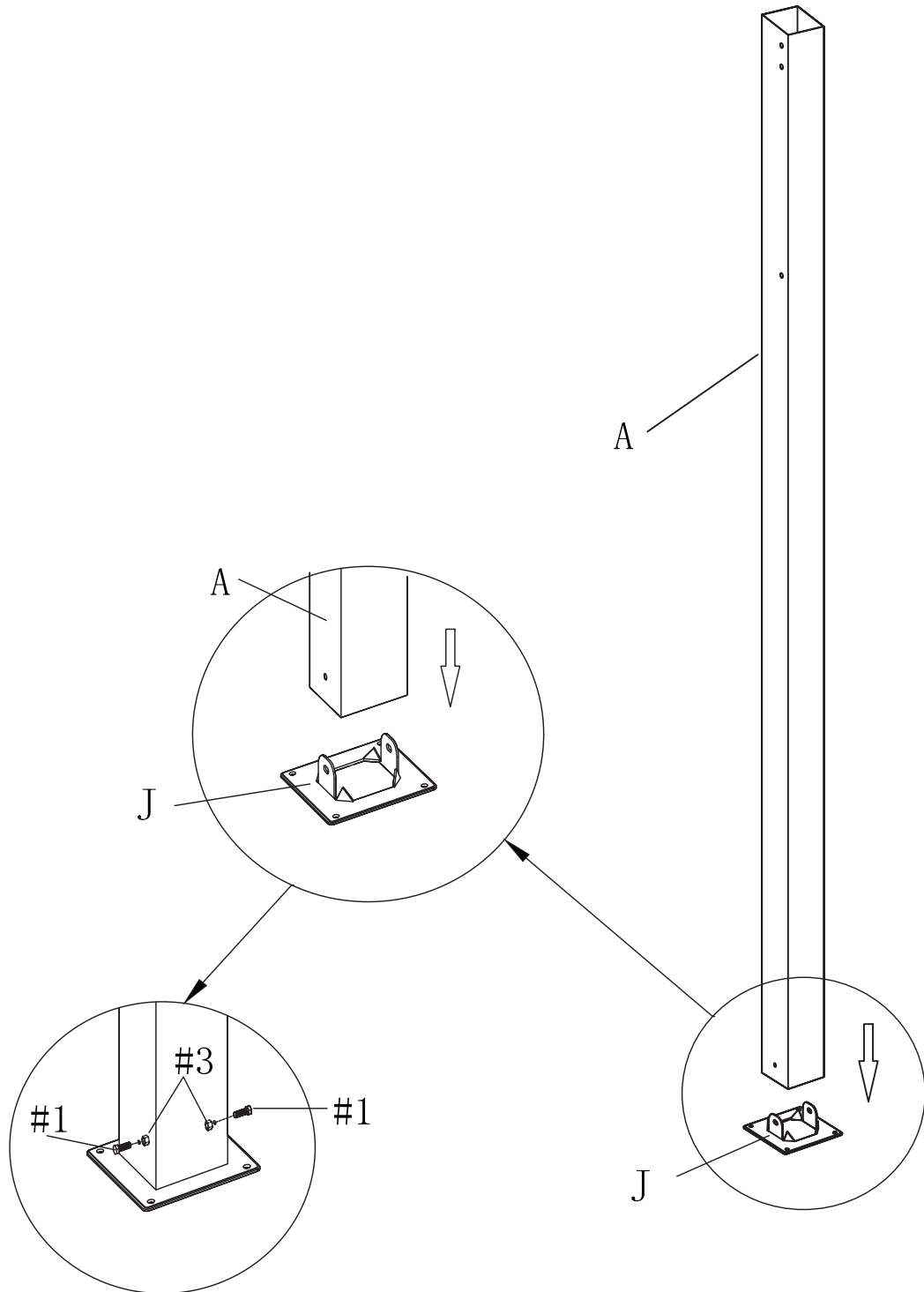


Assembly

Assembly Step

STEP 1

A*6
J*6
#1*12
#3*12

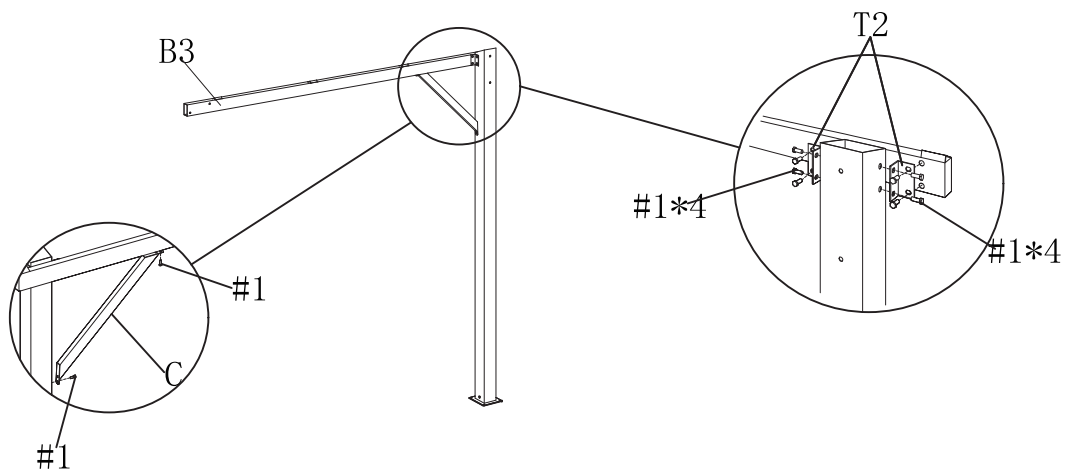
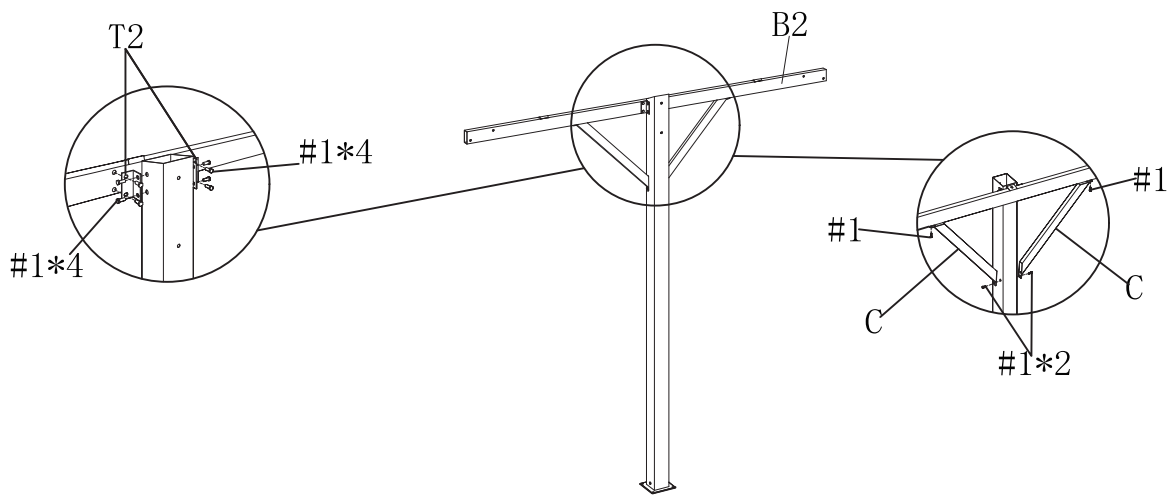
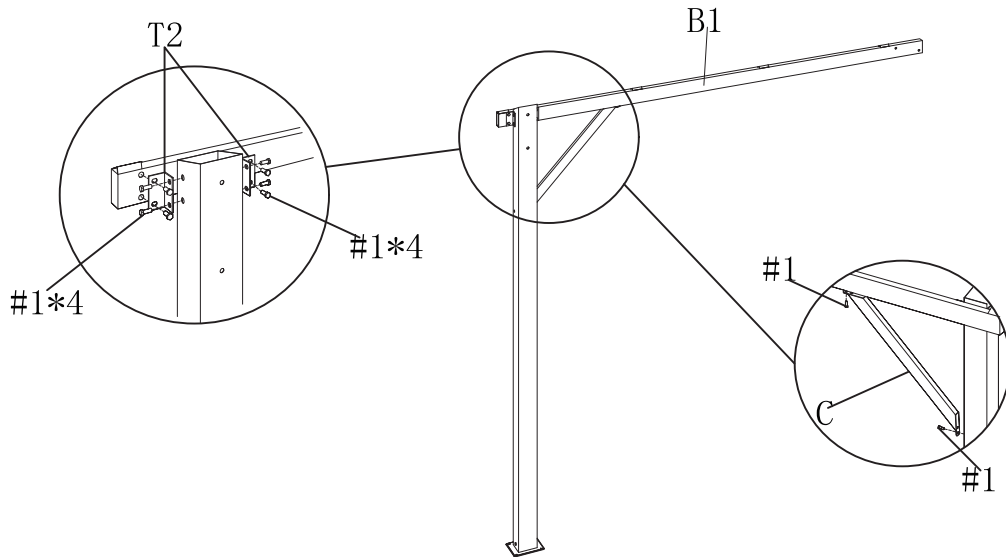


Assembly

Assembly Step

STEP 2

B1*1
B2*1
B3*1
T2*6
C*4
#1*32

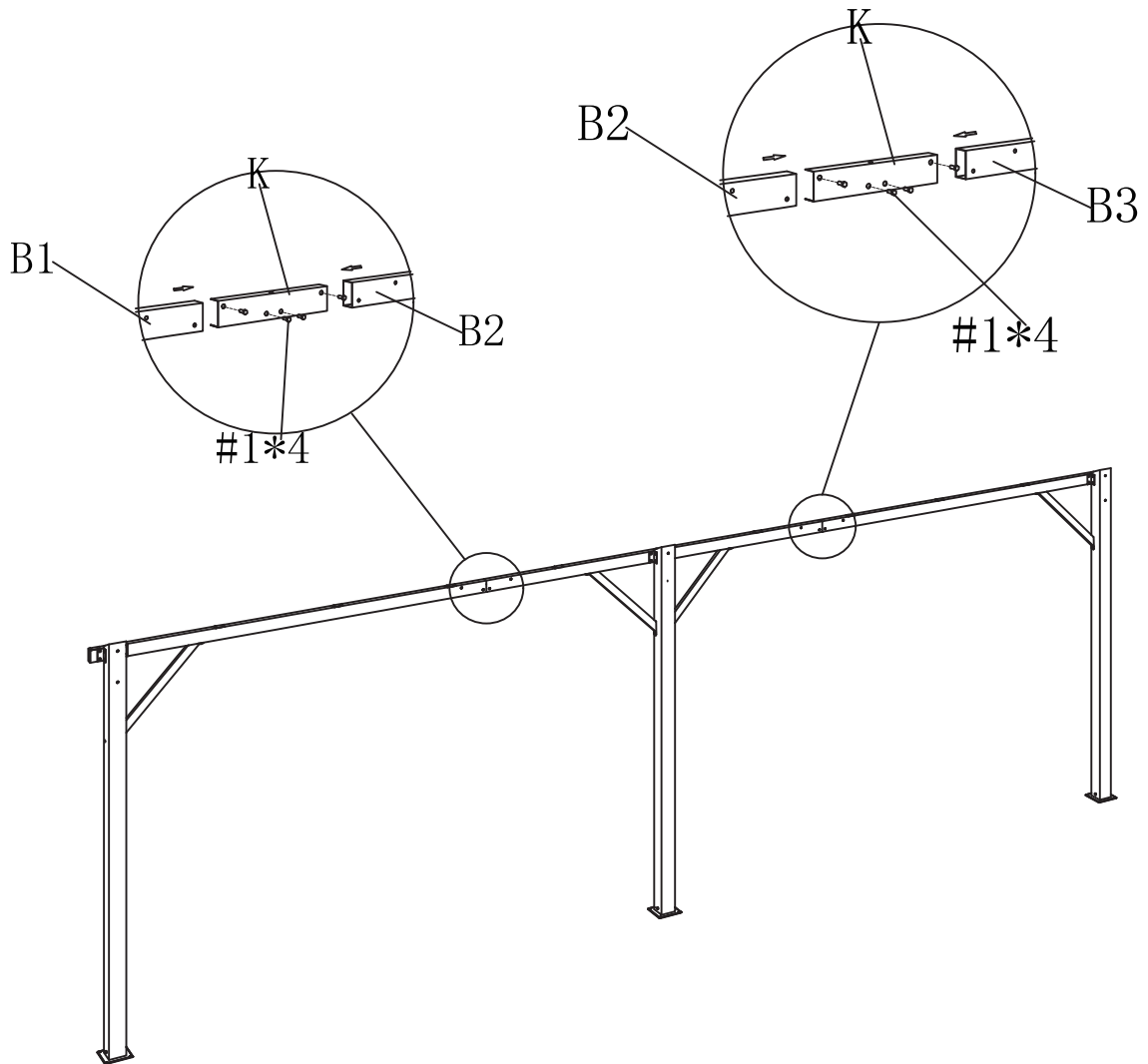


Assembly Step

STEP 3

K*2

#1*8



Assembly

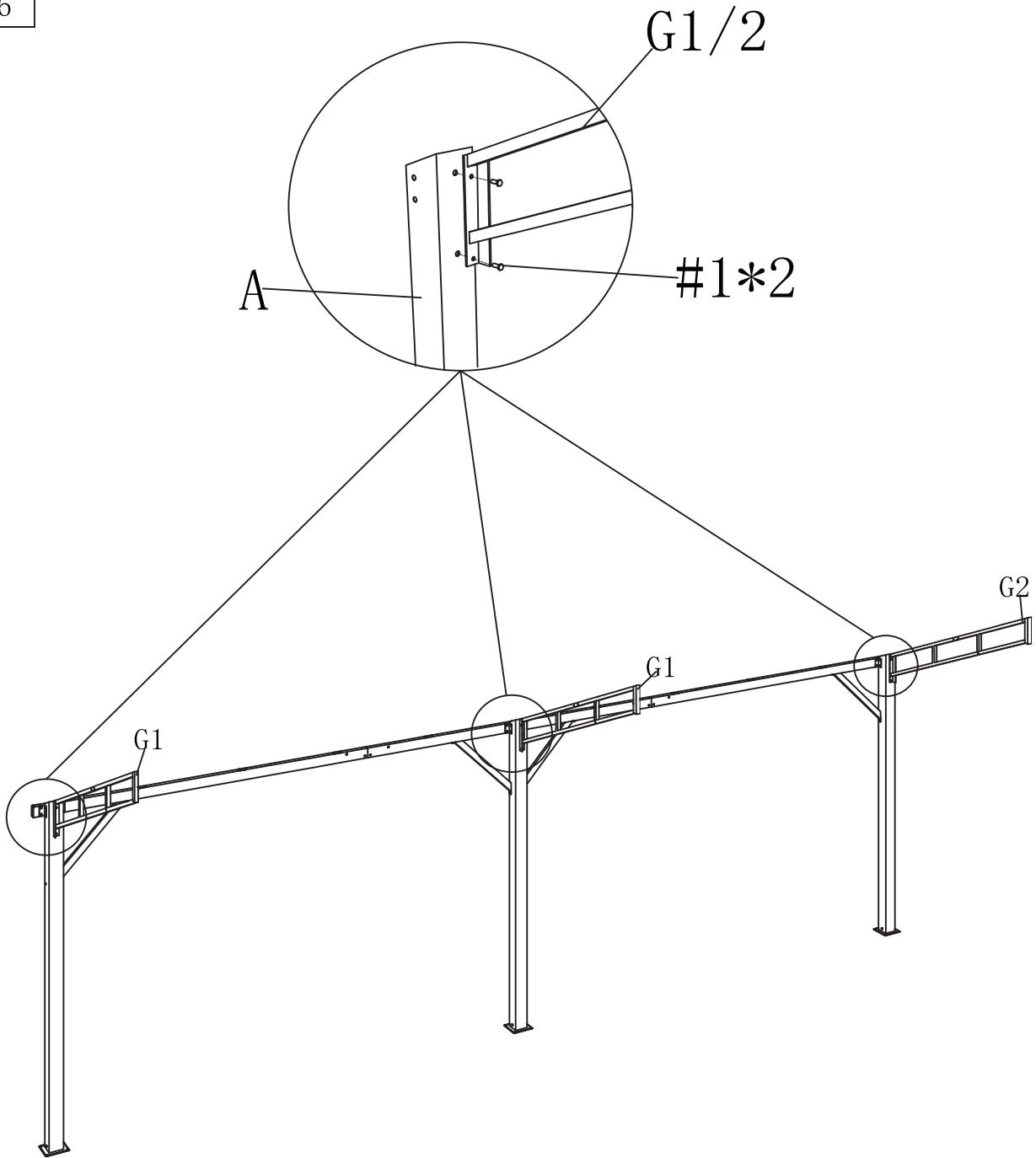
Assembly Step

STEP 4

G1*2

G2*1

#1*6

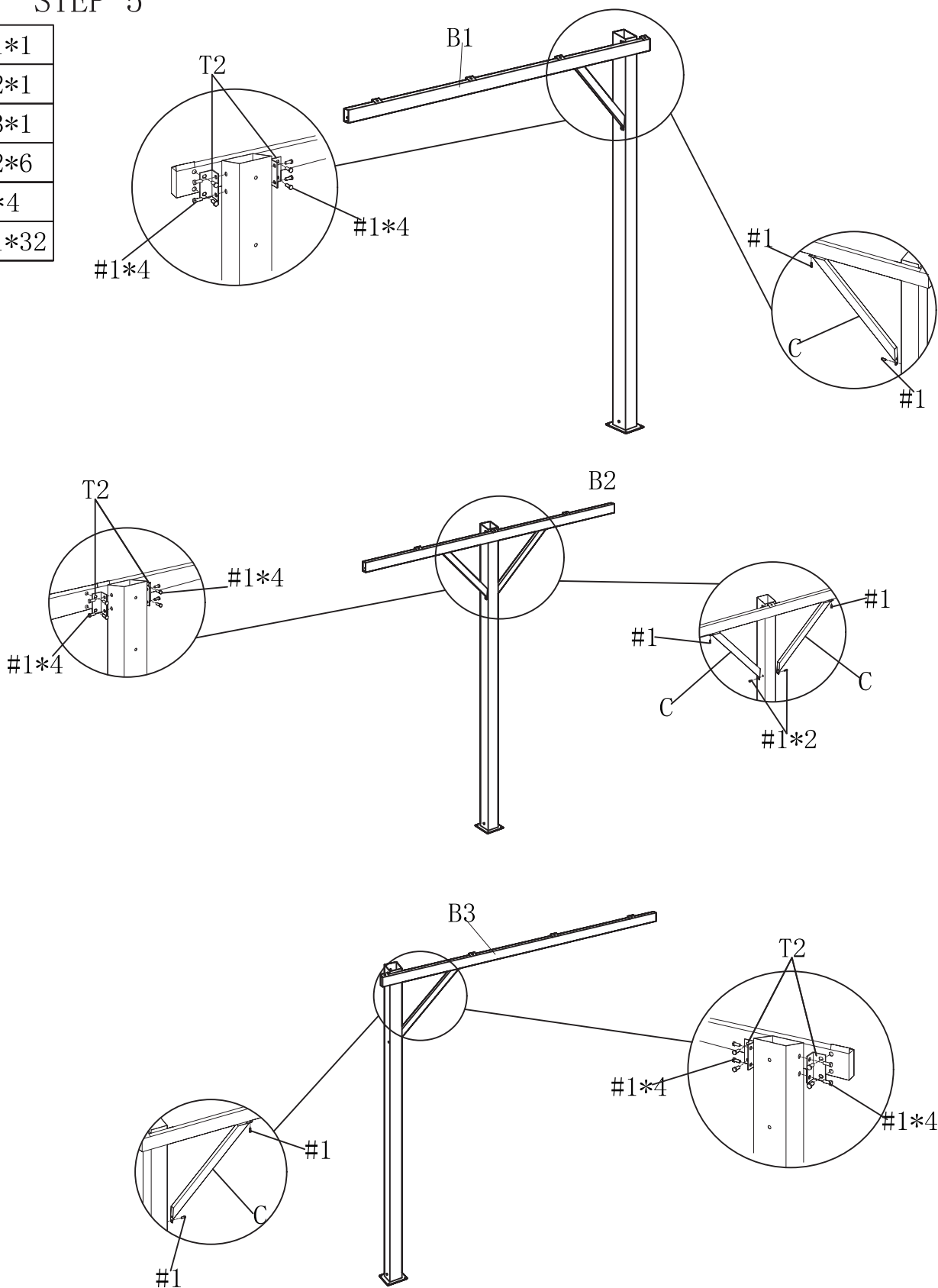


Assembly

Assembly Step

STEP 5

B1*1
B2*1
B3*1
T2*6
C*4
#1*32



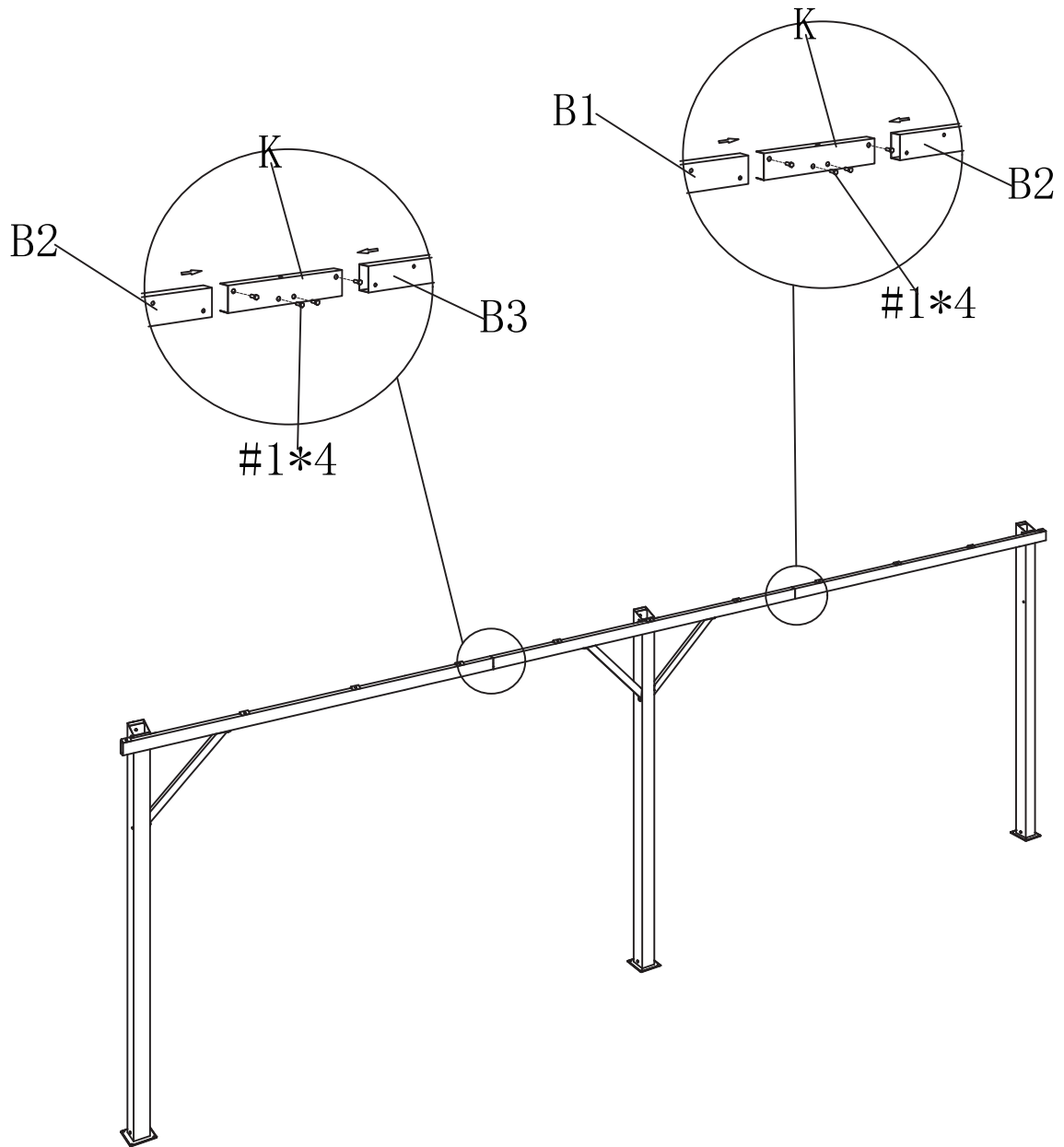
Assembly

Assembly Step

STEP 6

K*2

#1*8



Assembly

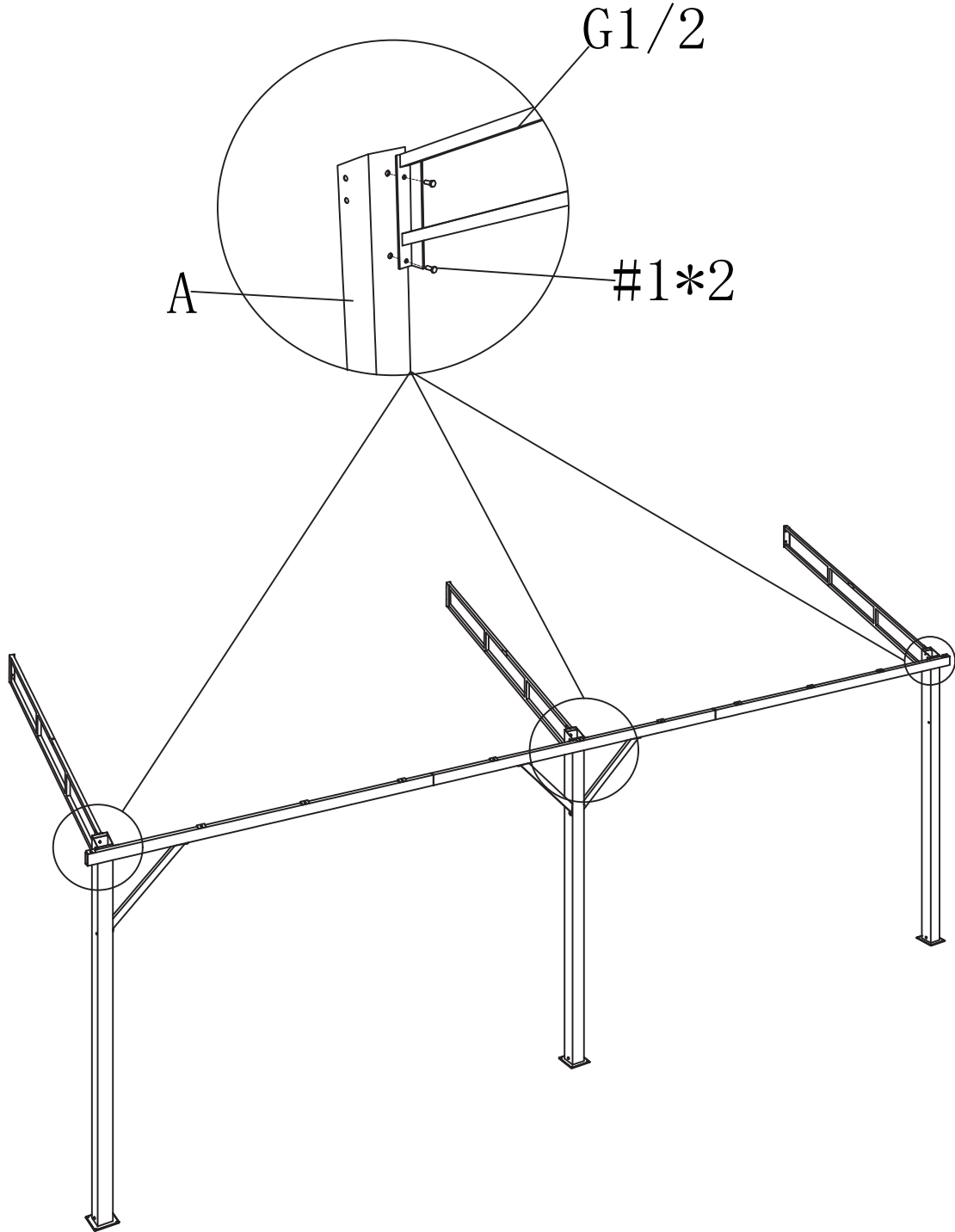
Assembly Step

STEP 7

G1*1

G2*2

#1*6



Assembly

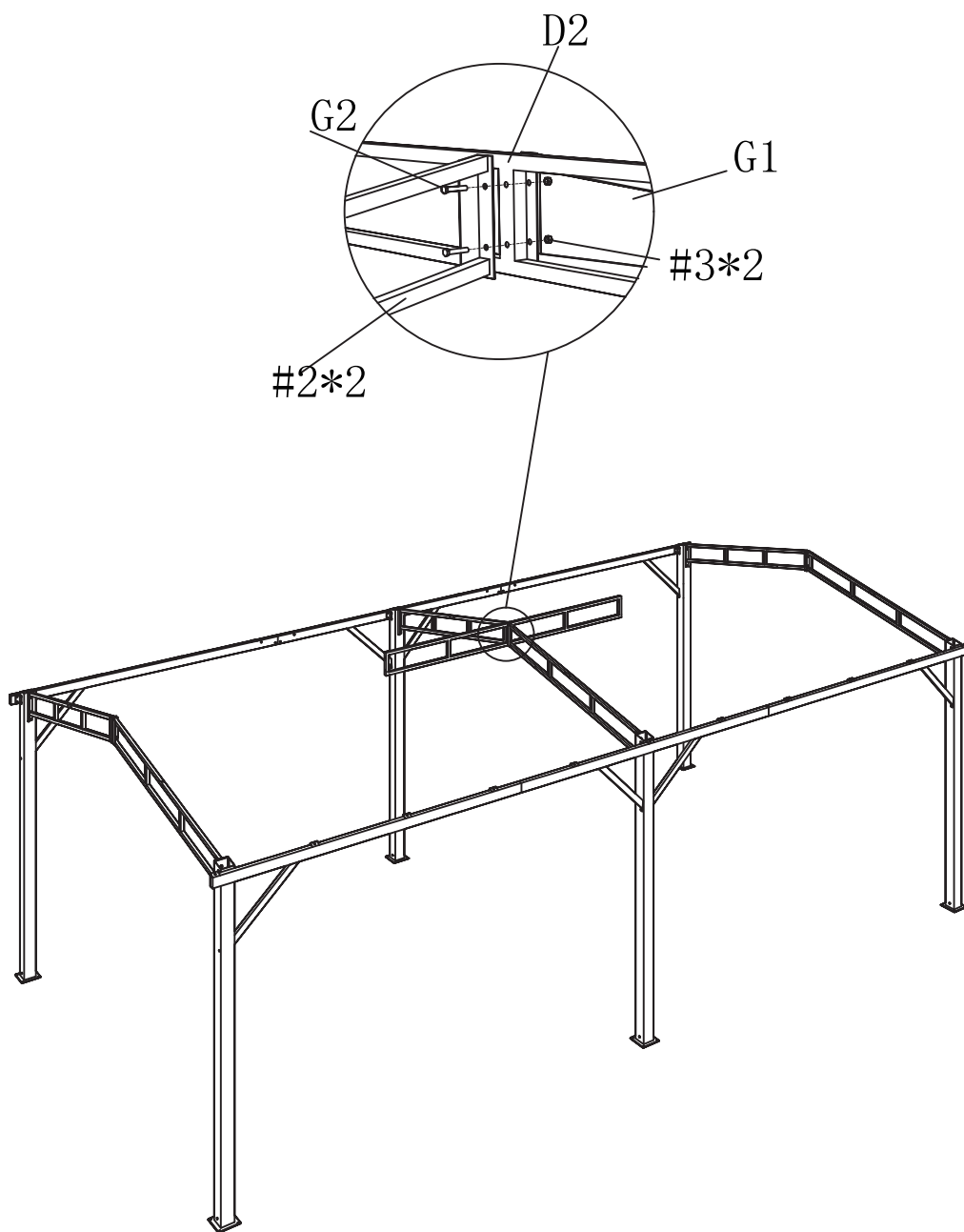
Assembly Step

STEP 8

D2*1

#2*2

#3*2



Assembly Step

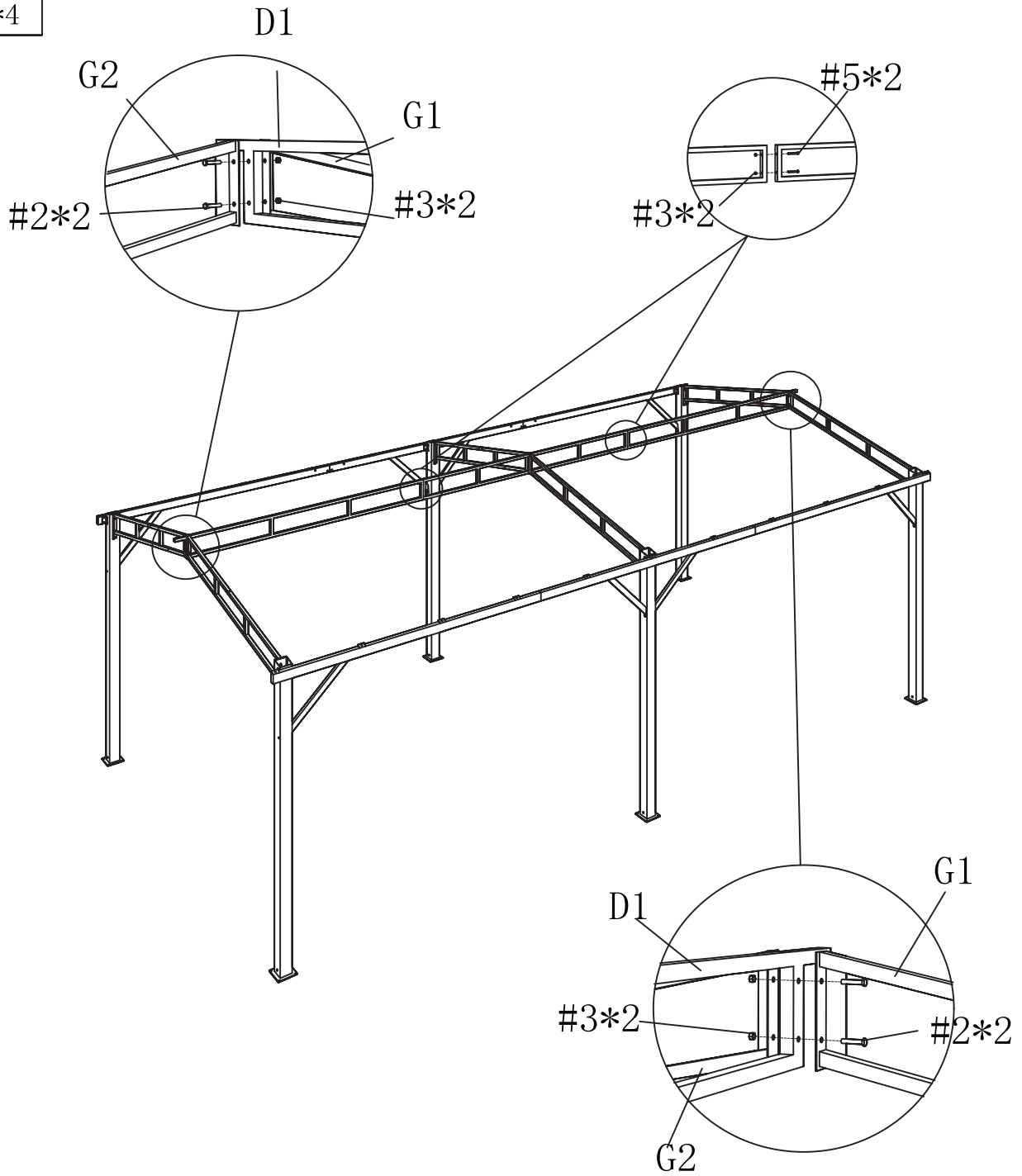
STEP 9

D1*2

#2*4

#3*8

#5*4



Assembly Step

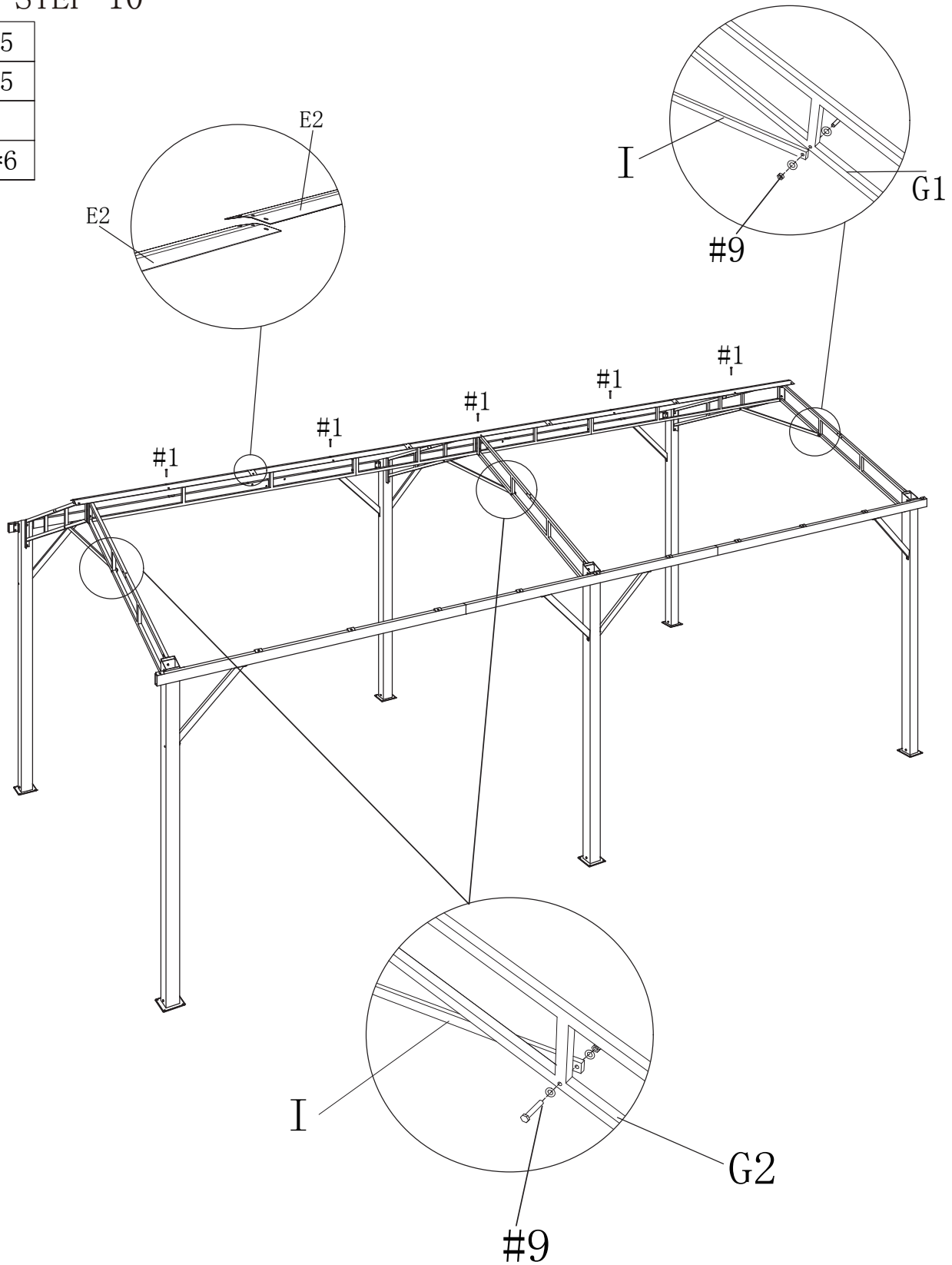
STEP 10

E2*5

#1*5

I*3

#9*6

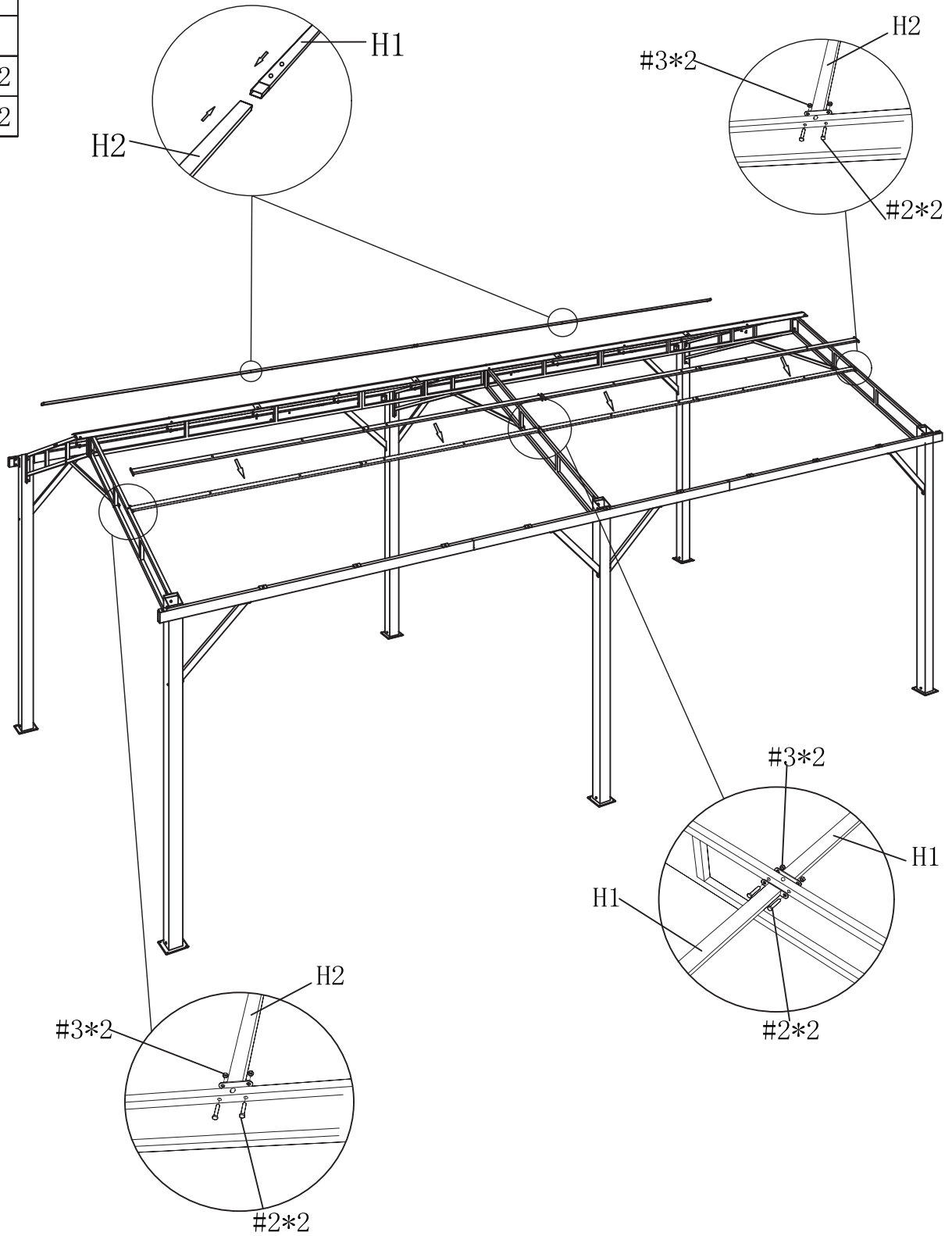


Assembly

Assembly Step

STEP 11

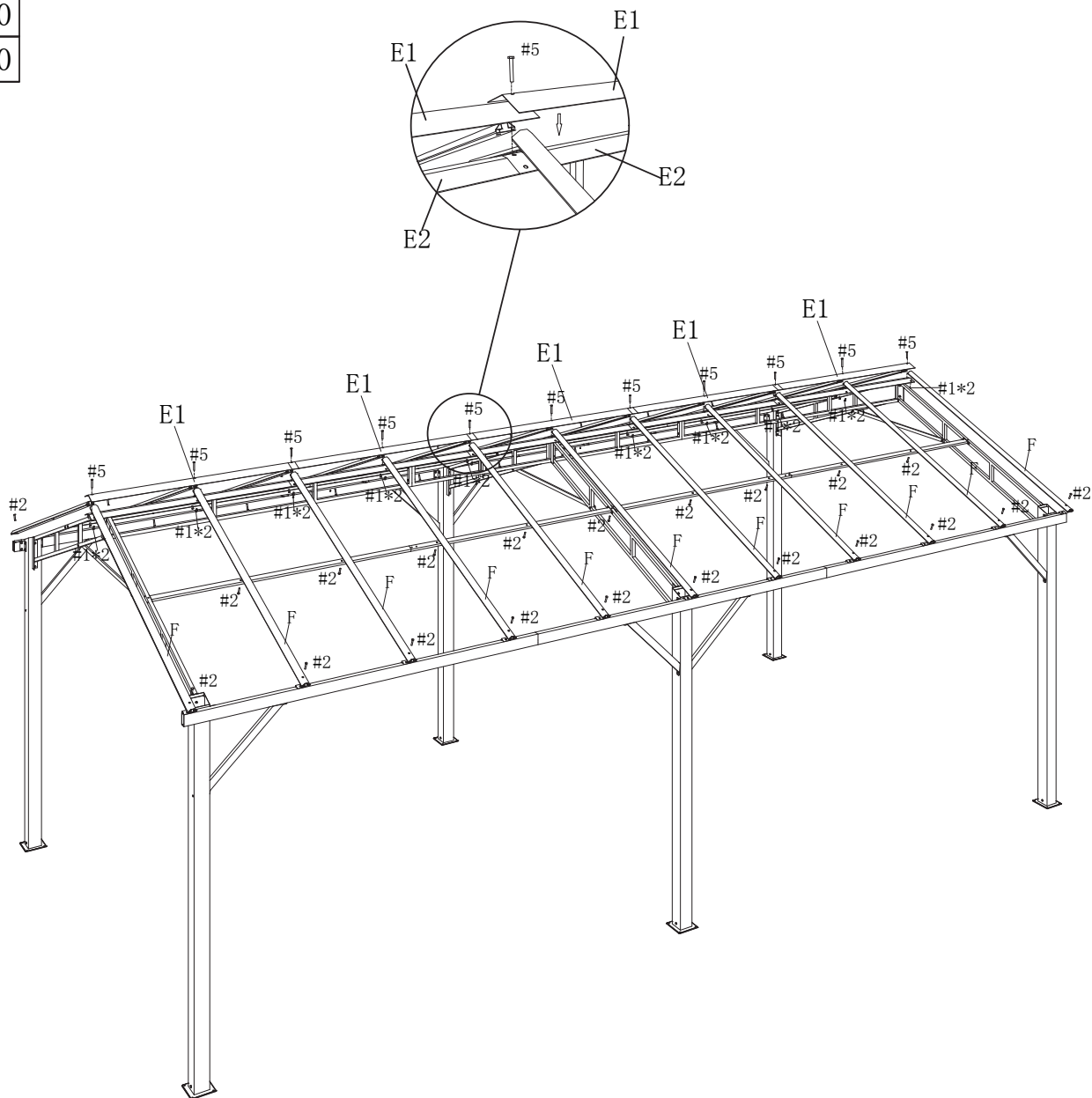
H1*4
H2*4
#2*12
#3*12



Assembly Step

STEP 12

E1*5
F*22
#5*6
#1*20
#2*40



Pls note, for Parts#5, when fixing and supporting with the upper top plate(E1) , leave them loose , not tight at the moment.

Assembly Step

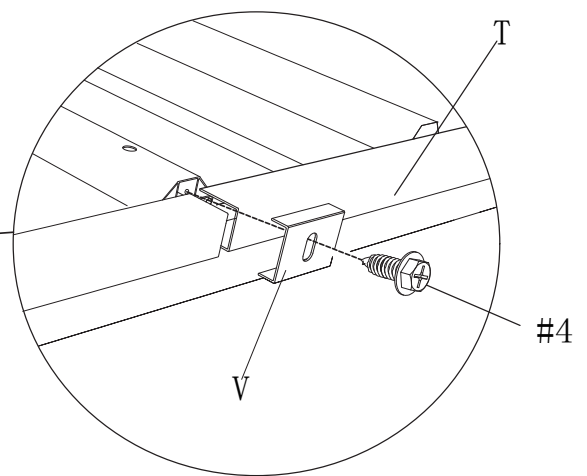
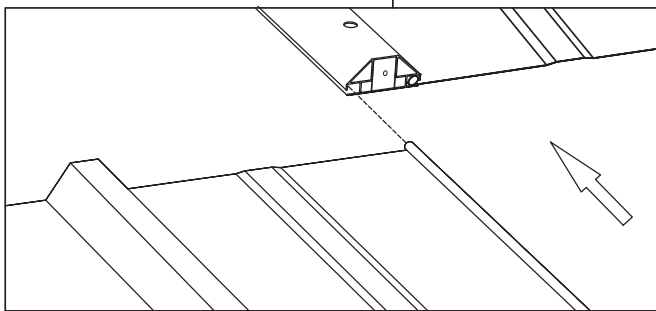
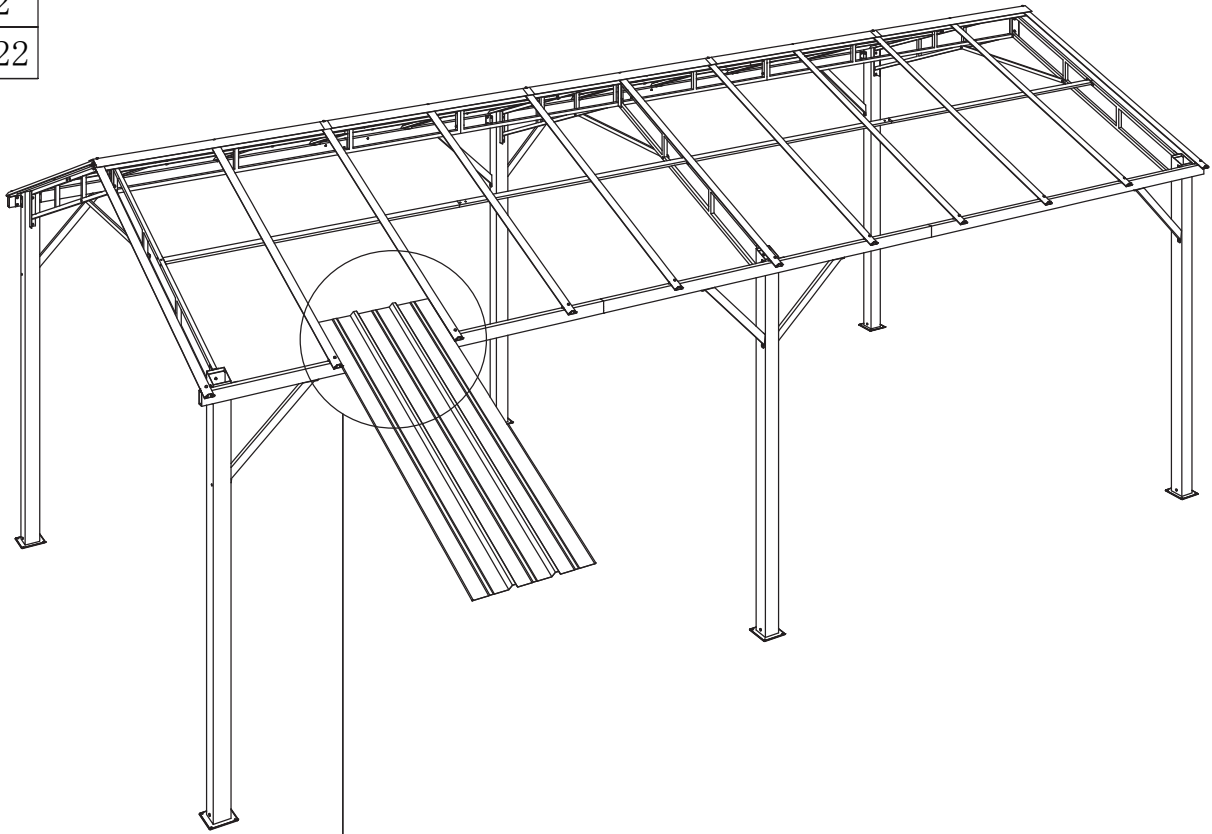
STEP 13

GG*20

T*20

V*22

#4*22



When assembling each colored steel tile(GG), pls note to fix using the longer plate(T) and shorter plate(V) immediately to prevent the tile sliding. Safety is important!

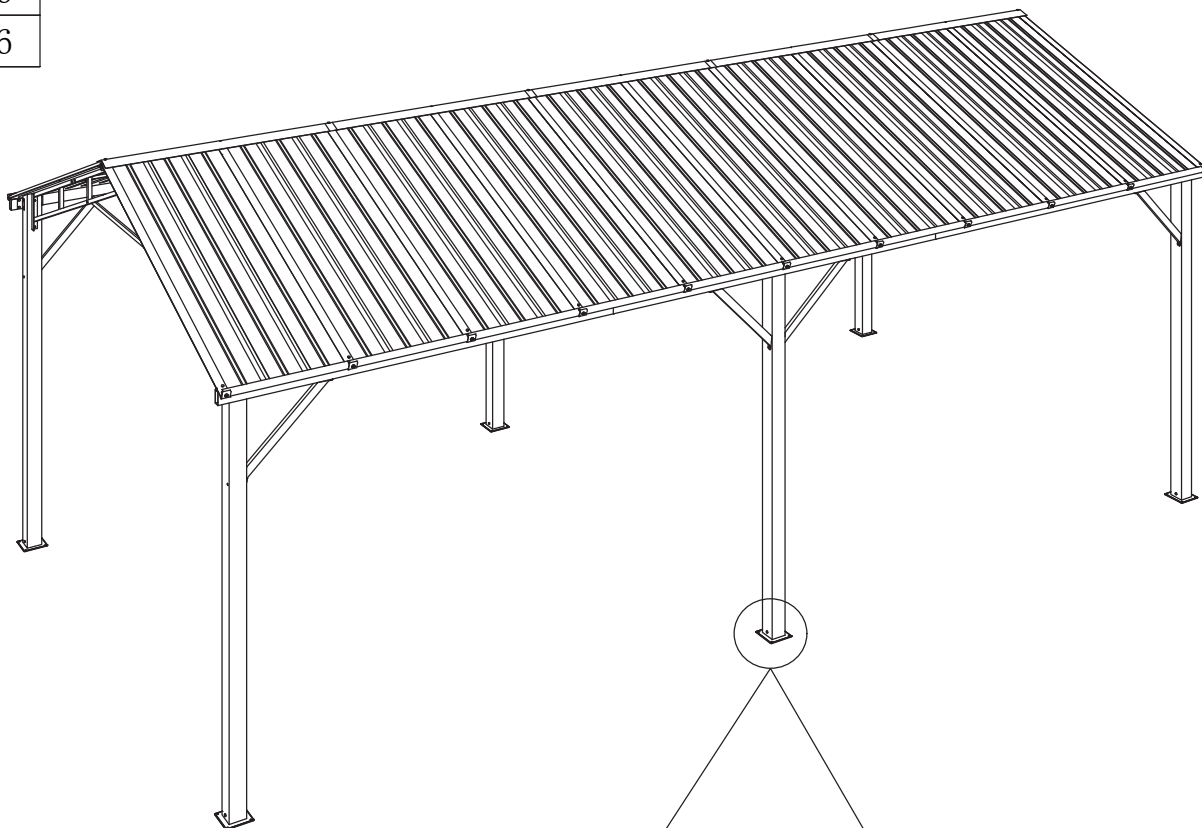
Assembly

Assembly Step

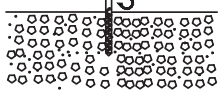
STEP 14

#8*6

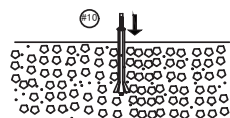
10*6



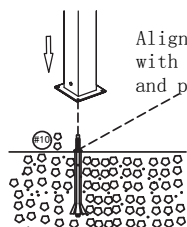
drill



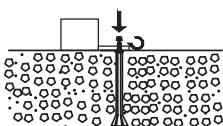
Insert expansion bolts



Align the leg tubes with the anchor holes and place them in place

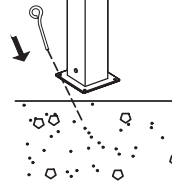


Put on the spacer and nut, tighten the nut to secure it



hard ground

#8



#8



soft ground

Cleaning and Maintenance

- Clean the furniture with damp cloth, rinse thoroughly. Dry frame parts completely. Do not use bleach, acid or other solvents on the textile or metal parts.
- We recommend the use of furniture covers to protect the product when not in use.
- Inspect and tighten all screws on a regular basis to ensure proper performance and safety.
- In order to prolong the life and beauty of your product, we recommend storing it in a dry and protected area during off season periods.



Questions, problems, missing parts? Before returning to the store
please contact our Customer Service

• service@alphamarts.com •

1-877-606-2818