




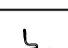
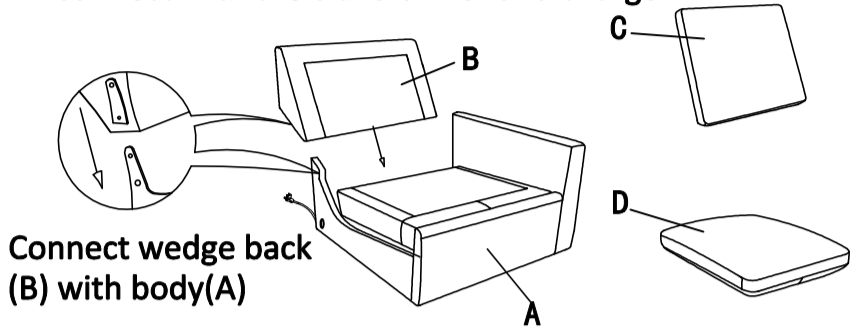
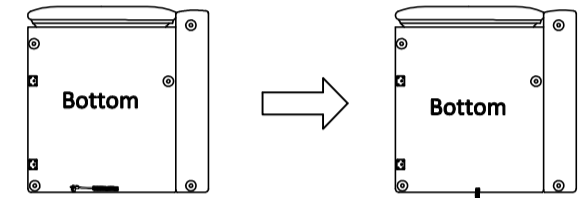


A		1pc	Body
B		1pc	Wedge back
C		1pc	Back cushion
D		1pc	Seat cushion
E		1pc	Transformer
F		1pc	Charger

① Pull the power input wire from the back of the body, connect with the transformer and charger.

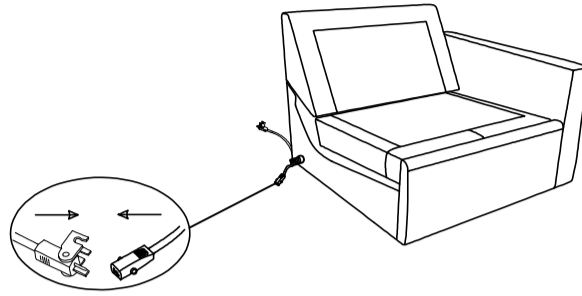


Connect wedge back (B) with body(A)

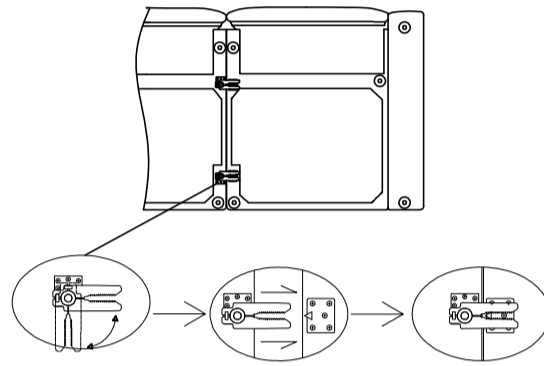


Connect E and F

② Take out the wire connecter from the side and connect with other pieces.



③

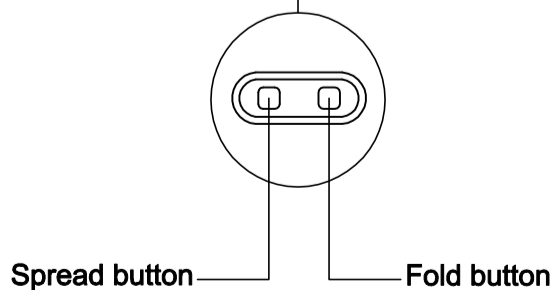
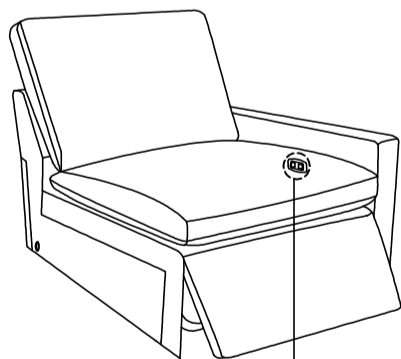


Product description: 237529-Tillery Power Recliner RAF AI-1

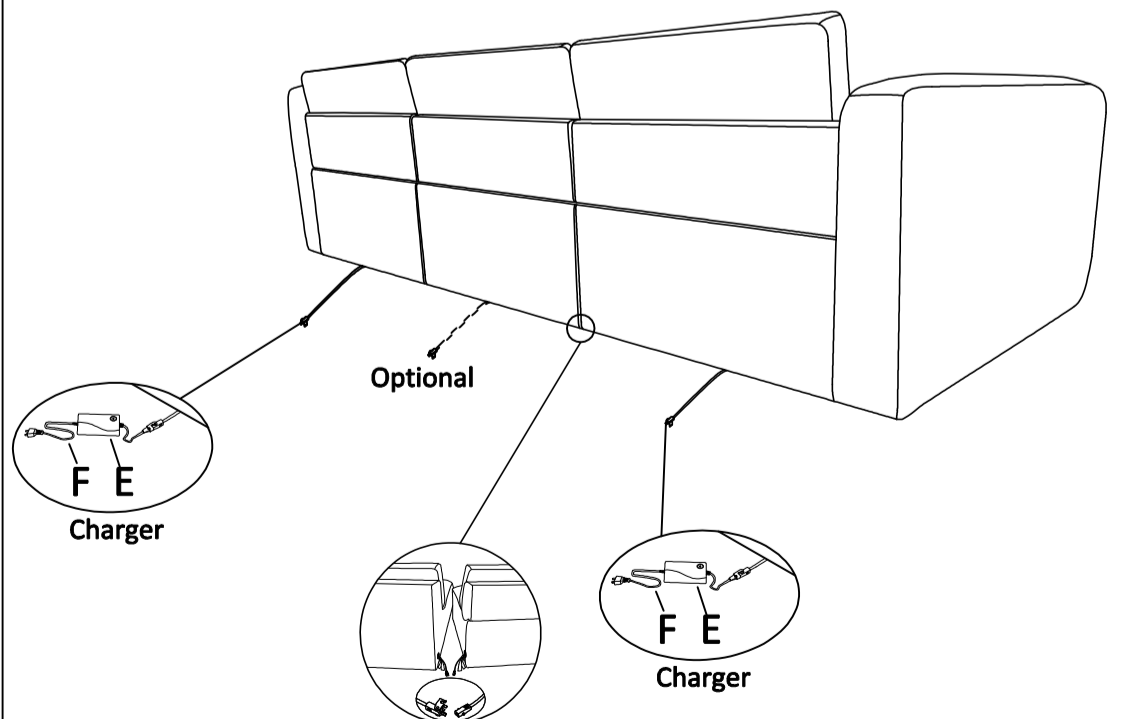


CONFIDENTIAL AND EXCLUSIVE
PROPERTY OF FOURHANDS
LLC@2017 Four Hands, Inc.
ALL rights reserved

④ Find switch panel on the side of the seat cushion .



⑤ Each charger can support running maximum 2 pieces at the same time.



Product description: 237529-Tillery Power Recliner RAF AI-2



CONFIDENTIAL AND EXCLUSIVE
PROPERTY OF FOURHANDS
LLC@2017 Four Hands, Inc.
ALL rights reserved