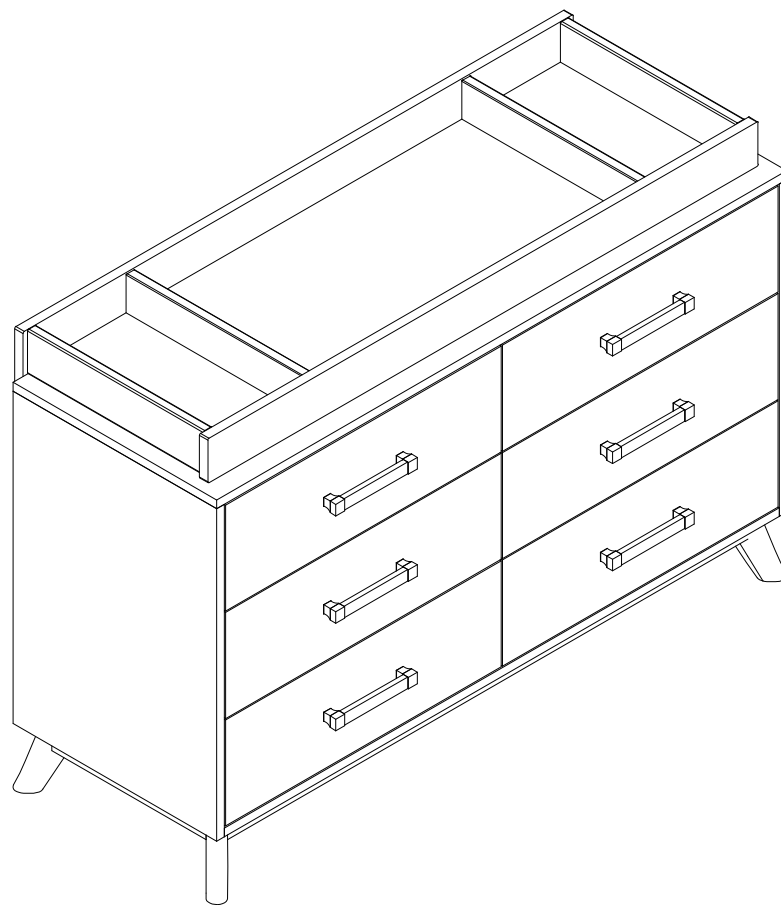


# ASSEMBLY INSTRUCTIONS

## CHANGING TOPPER

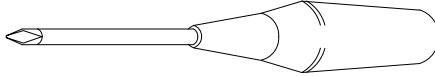


# Thank you for your purchase!

Remove all parts and hardware from the box and lay on a carpeted or scratch -free work surface.  
Do not dispose of any contents until assembly is completed.

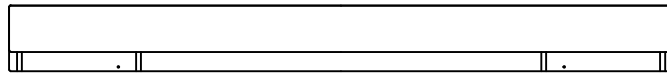
## TOOLS REQUIRED:

SCREW DRIVER (Not Included)



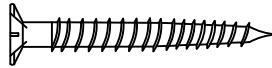
## PARTS ENCLOSED IN CARTON

A. Changing Topper (1 pc)



## HARDWARE

(B) Screw 1-3/8"(35 mm) (2 pcs)



Do not fully tighten all Screws until all parts are in place.

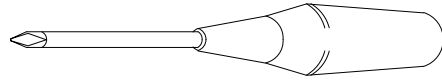
## ASSEMBLY OF CHANGING TOPPER

### THIS STEP REQUIRES :

(B) Screw 1-3/8"(35 mm) (2 pcs)

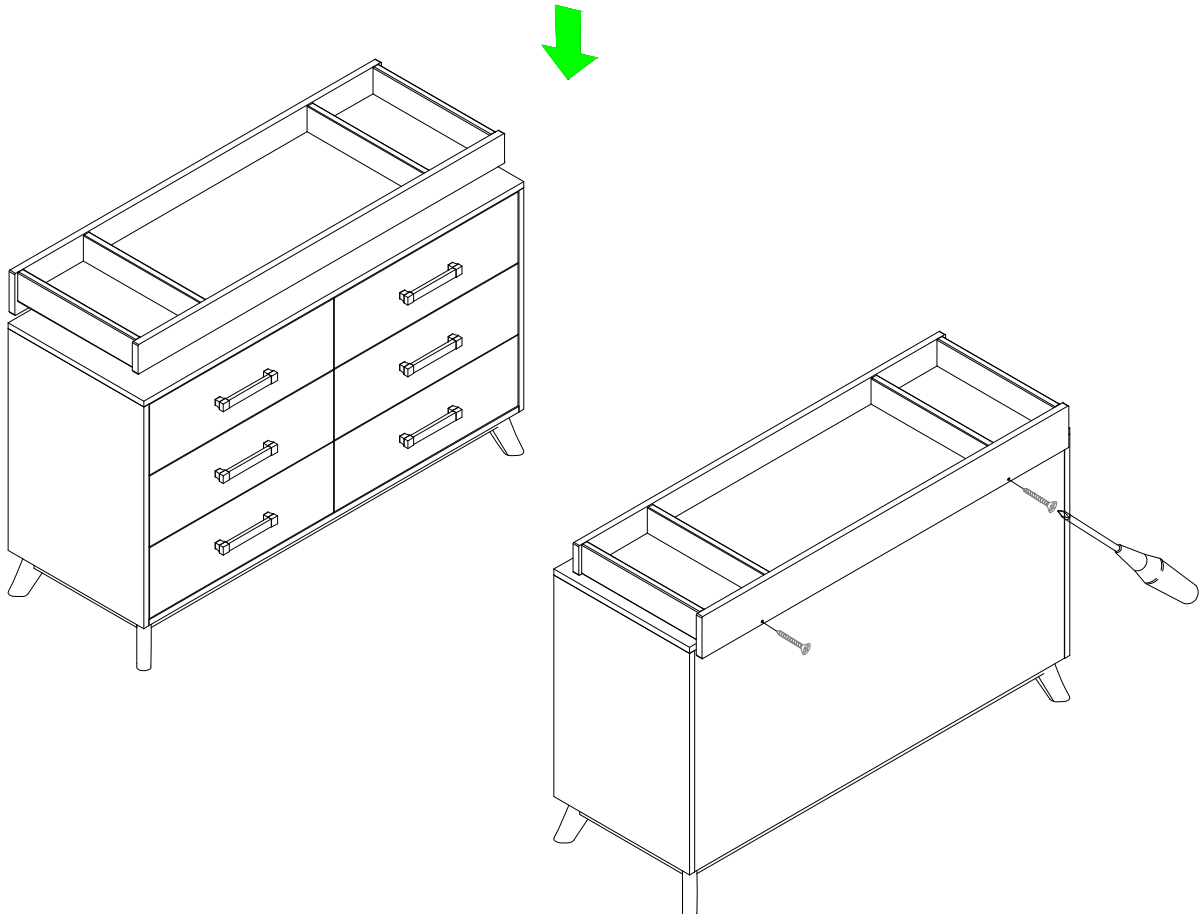


SCREW DRIVER (Not Included)




### **STEP 1:**

- Place the changing topper on top of the dresser.
- The holes in back side should be below Dresser top surface. (see diagram)



### **STEP 2:**

Insert the screws into the back of the changing topper and dresser, tighten with Screw driver. Check to see that the changing topper is secure.

 **CAUTION:** ANY PAD USED IN THIS CHANGING TOPPER MUST BE AT LEAST 16 INCHES BY 32 INCHES (41CM X 81CM) WITH A THICKNESS NOT EXCEEDING 1 INCH (2.54 CM).

 **WARNING**  
**FOR CHANGING TOPPER USE**

- READ ALL INSTRUCTIONS BEFORE ASSEMBLING CHANGING TOPPER.

**KEEP INSTRUCTIONS FOR FUTURE USE.**

- FAILURE TO FOLLOW THESE WARNINGS AND THE ASSEMBLY INSTRUCTIONS COULD RESULT IN SERIOUS INJURY OR DEATH.
- **CAUTION:** THE PAD INTENDED FOR USE ON THE CHANGING TOPPER SHALL HAVE MINIMUM DIMENSIONS OF 16 INCHES BY 32 INCHES (41 CM X 81 CM) WITH A THICKNESS NOT EXCEEDING 1 INCH (2.54 CM)
- THE MAXIMUM WEIGHT SHALL NOT BE GREATER THAN 30 LB (13.6 KG).
- **DO NOT** USE CHANGING TOPPER IF DAMAGED OR BROKEN.
- PLEASE CLEAN THE CHANGING TOPPER WITH A DRY CLOTH AND USE MILD WOOD POLISH IF REQUIRED.

---

**FALL HAZARD:** CHILDREN HAVE SUFFERED SERIOUS INJURIES AFTER FALLING FROM CHANGING TABLES. FALLINGS CAN HAPPEN QUICKLY.

- TO PREVENT DEATH OR SERIOUS INJURY, ALWAYS KEEP CHILD WITHIN ARM'S REACH.
- ALWAYS SECURE THIS CHANGING TOPPER TO THE CHANGING SURFACE BY ATTACHING IT USING THE SCREWS PROVIDED. SEE INSTRUCTIONS.
- THE SURFACE USED SHOULD BE LEVEL, STABLE AND STRUCTURALLY SOUND WITH MINIMUM SURFACE DIMENSIONS OF 45.25.INCHES (114.93 CM) BY 17.25 INCHES (43.81 CM)