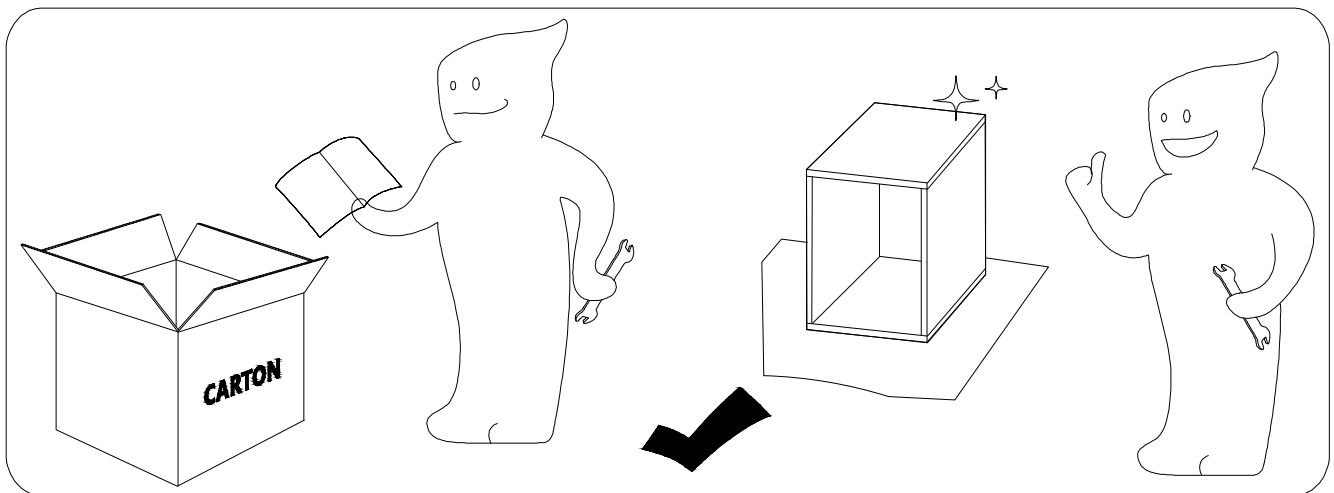
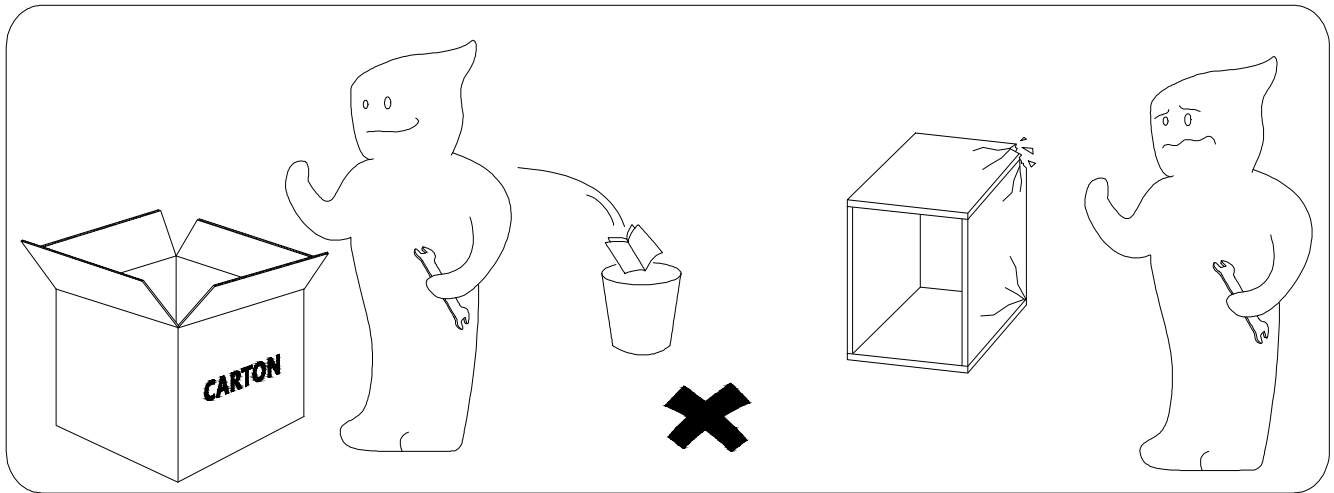


BMB025 - Q

Dear Customers,
Thank you for purchasing our product. Please read this instruction manual carefully after receiving this product. It will help you assemble this product quickly, safely and correctly. You can keep this manual for future reference.

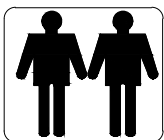
! IMPORTANT

Please follow the instruction manuals and use a pad to protect the product during your assembly.

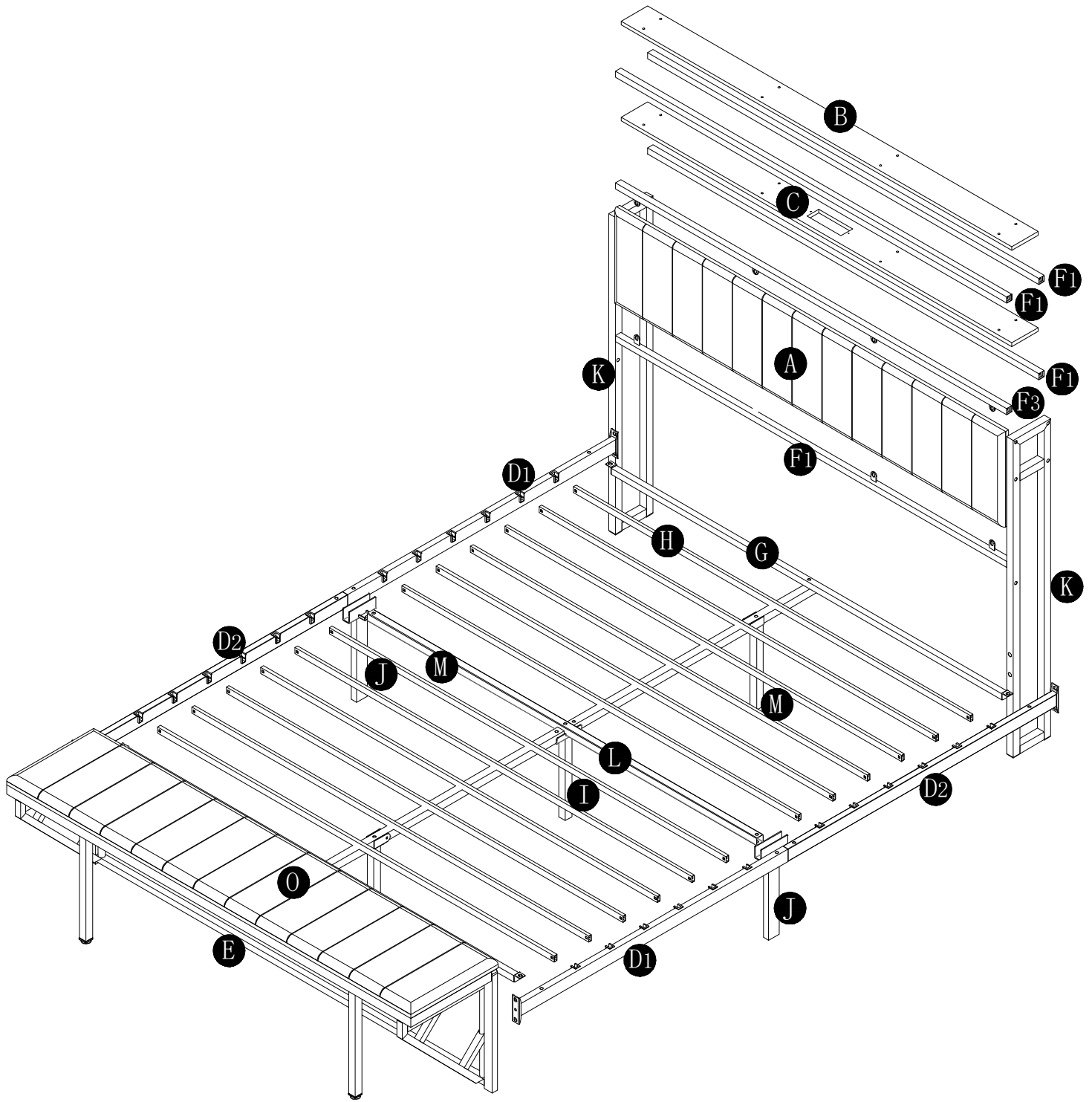
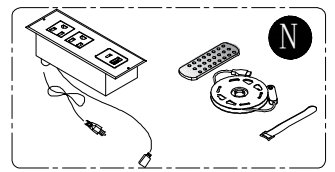


Note:

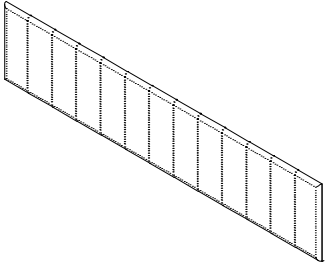
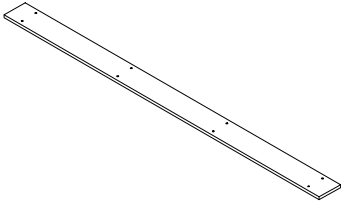
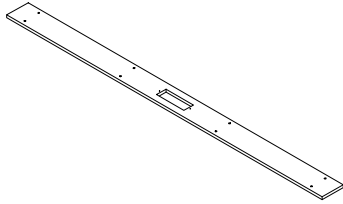
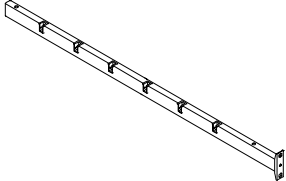
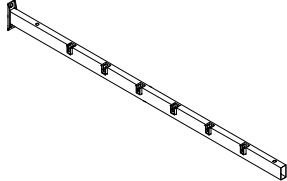
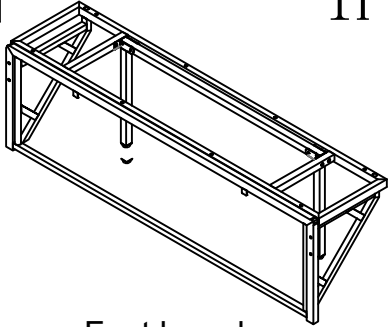
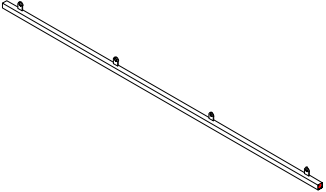
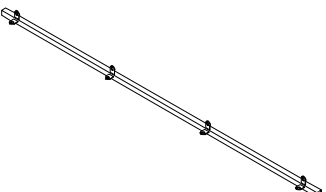
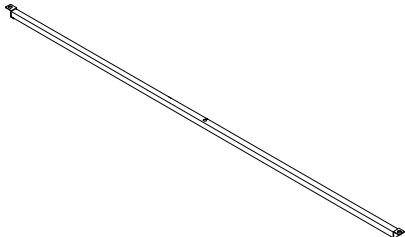
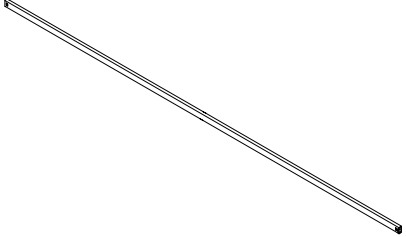
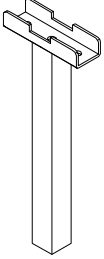
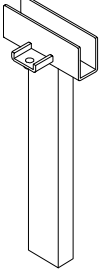
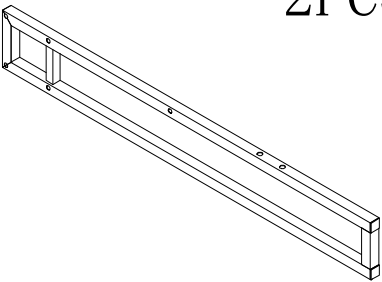
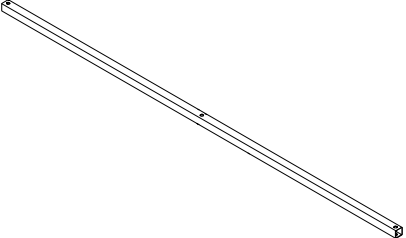
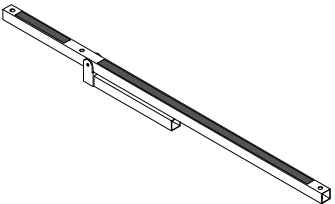
1. Should be assembled on flat ground to keep balance.
2. Before completing the installation, do not tighten the screws.



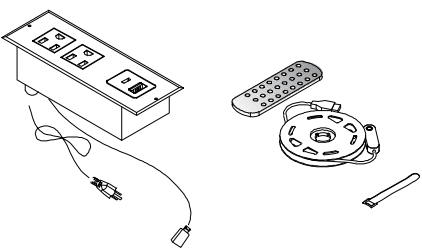
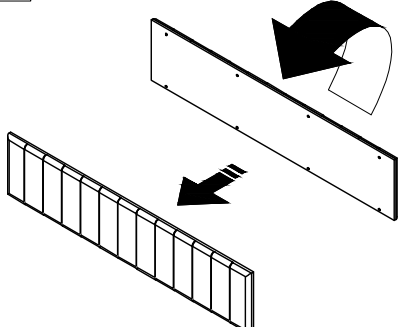
For easier and better assembly, 2 or more adults are required.



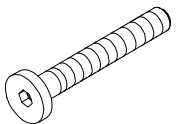
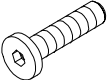
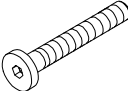
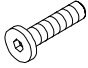

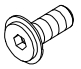
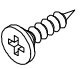
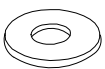
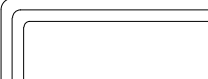
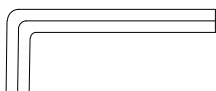
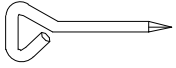
Part list

<p>A 1PC</p>  <p>Front headboard</p>	<p>B 1PC</p>  <p>Upper layer board</p>	<p>C 1PC</p>  <p>Middle layer board</p>
<p>D1 2PCS</p>  <p>Left bed side</p>	<p>D2 2PCS</p>  <p>Right bed side</p>	<p>E 1PC</p>  <p>Foot board</p>
<p>F1 4PCS</p>  <p>F1 connecting rod</p>	<p>F3 1PC</p>  <p>F3 connecting rod</p>	<p>G 2PCS</p>  <p>Bar</p>
<p>H 12PCS</p>  <p>Slat</p>	<p>I 1PC</p>  <p>Support leg</p>	<p>J 2PCS</p>  <p>Side Support leg</p>
<p>K 2PCS</p>  <p>wing</p>	<p>L 1PC</p>  <p>Beam</p>	<p>M 2PCS</p>  <p>Middle support bar</p>

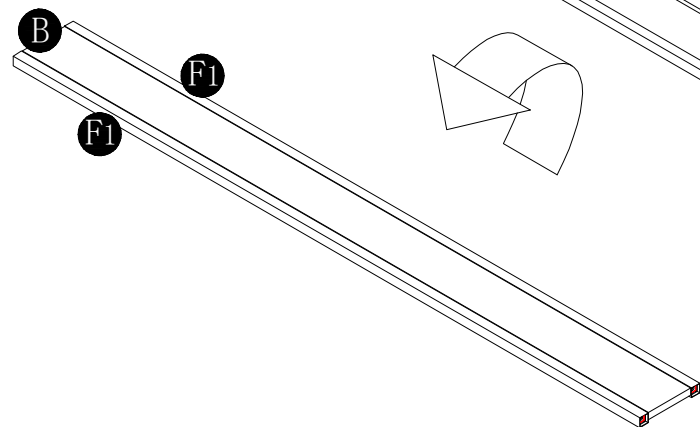
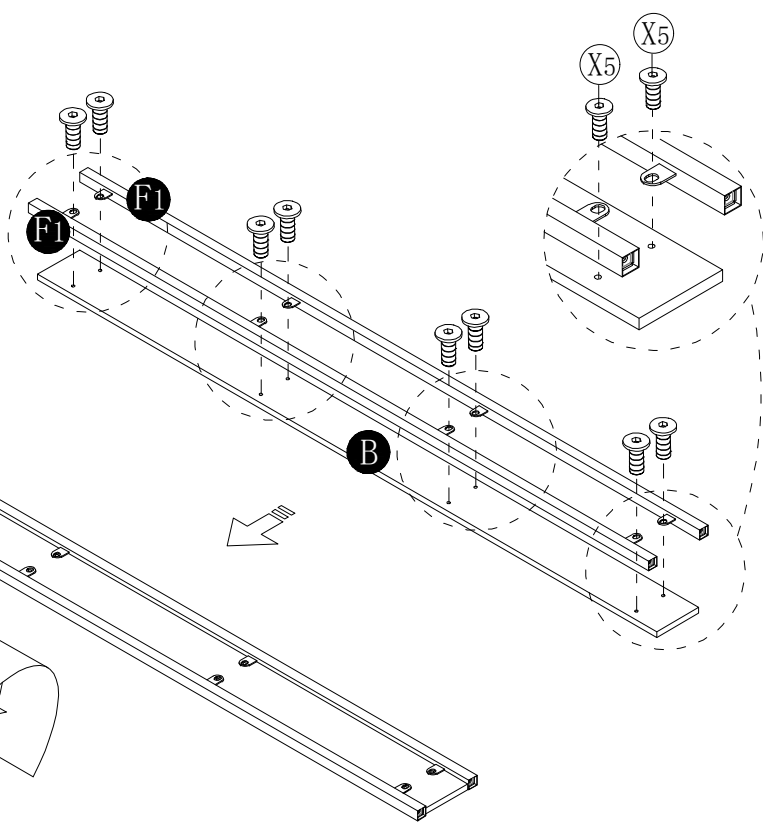
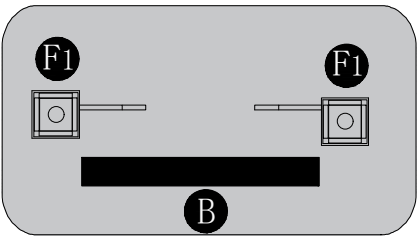
Part list

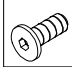
<p>N</p> <p>1PC</p>  <p>Transformer socket</p>	<p>0</p> <p>1PC</p> 	

Hardware list

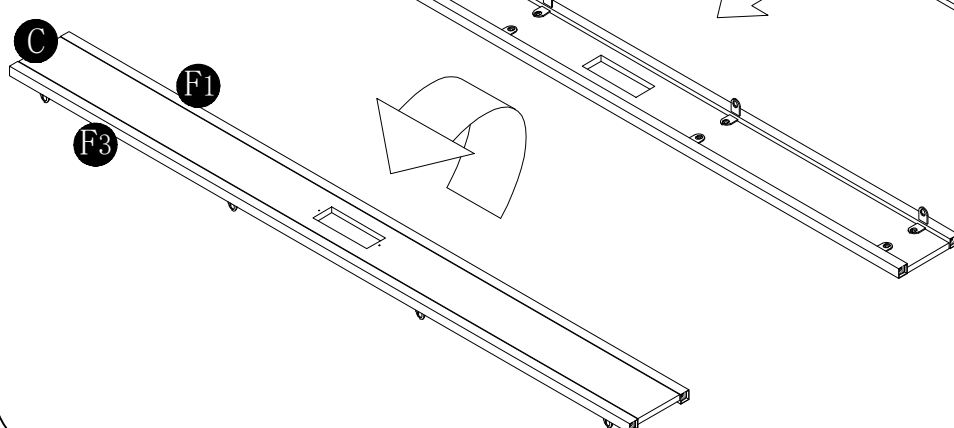
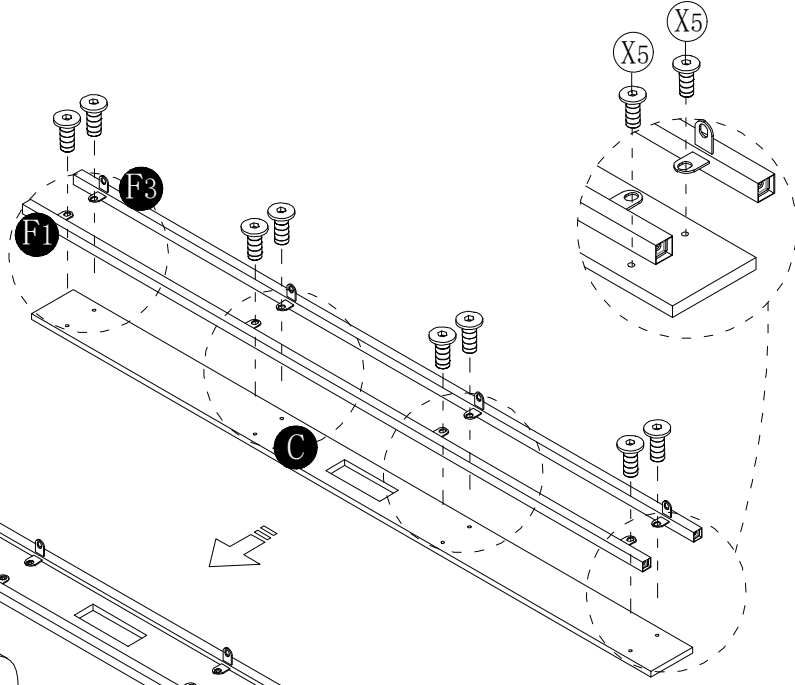
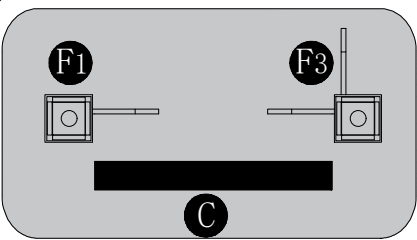
<p>X1</p> <p>7PCS</p>  <p>M8*50mm</p>	<p>X2</p> <p>16PCS</p>  <p>M8*45mm</p>	<p>X3</p> <p>4PCS</p>  <p>M6*42mm</p>	<p>X4</p> <p>4PCS</p>  <p>M6*32mm</p>
<p>X5</p> <p>24PCS</p>  <p>M6*12mm</p>	<p>X6</p> <p>12PCS</p>  <p>M8*16mm</p>	<p>X7</p> <p>2PCS</p>  <p>M3*16mm</p>	<p>W</p> <p>9PCS</p>  <p>φ22*φ8.5</p>
<p>Z1</p> <p>1PC</p>  <p>M8 Spanner</p>	<p>Z2</p> <p>1PC</p>  <p>M6 Spanner</p>	<p>Z3</p> <p>1PC</p>  <p>M3 Spanner</p>	

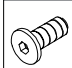
1



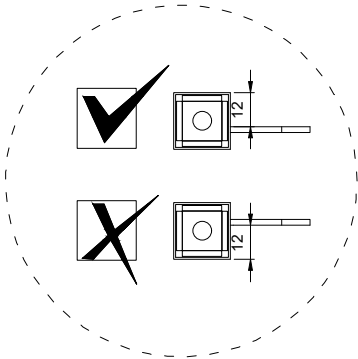
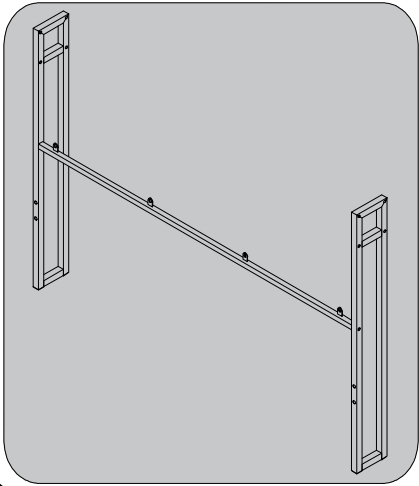
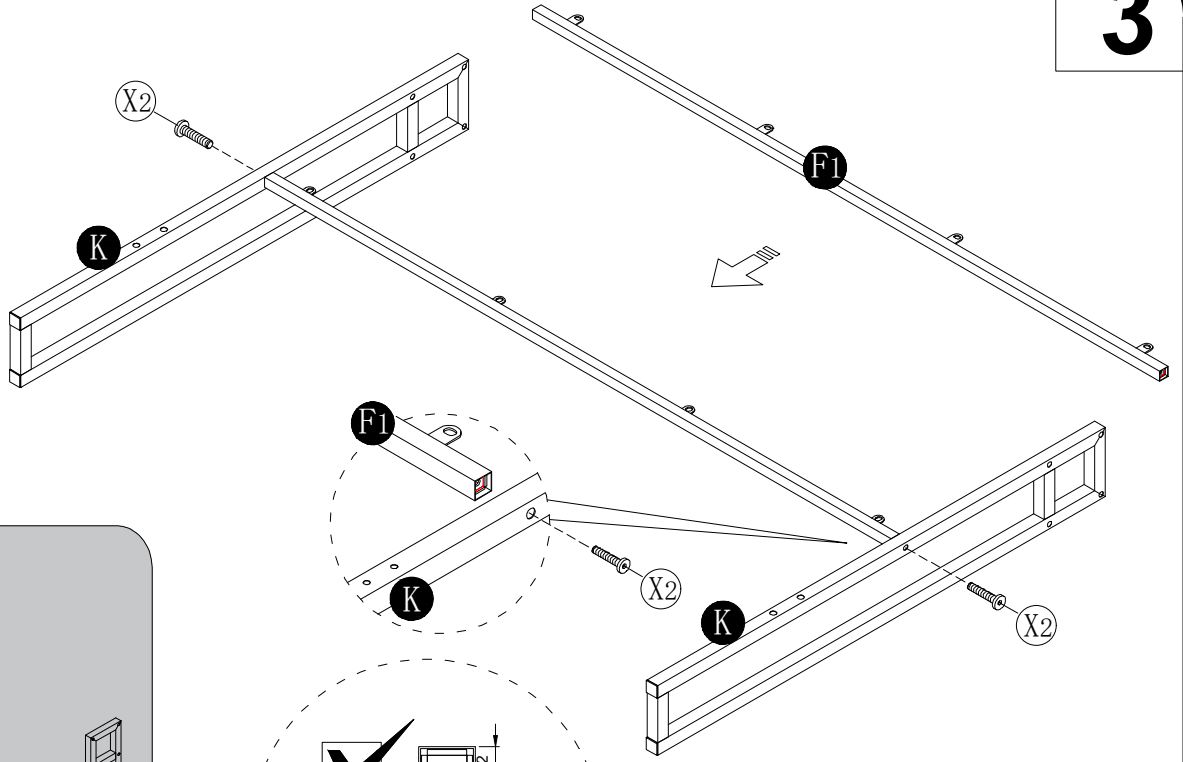
X5	8PCS
	M6*12mm


2



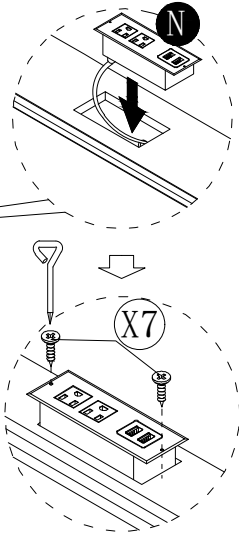
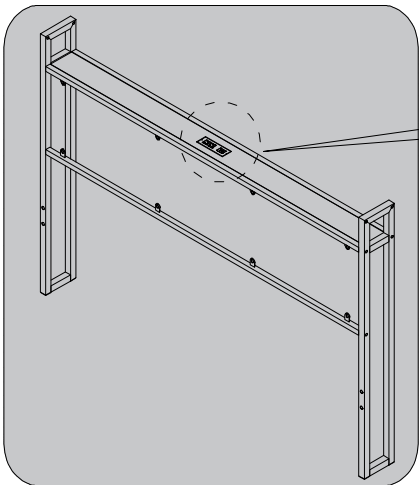
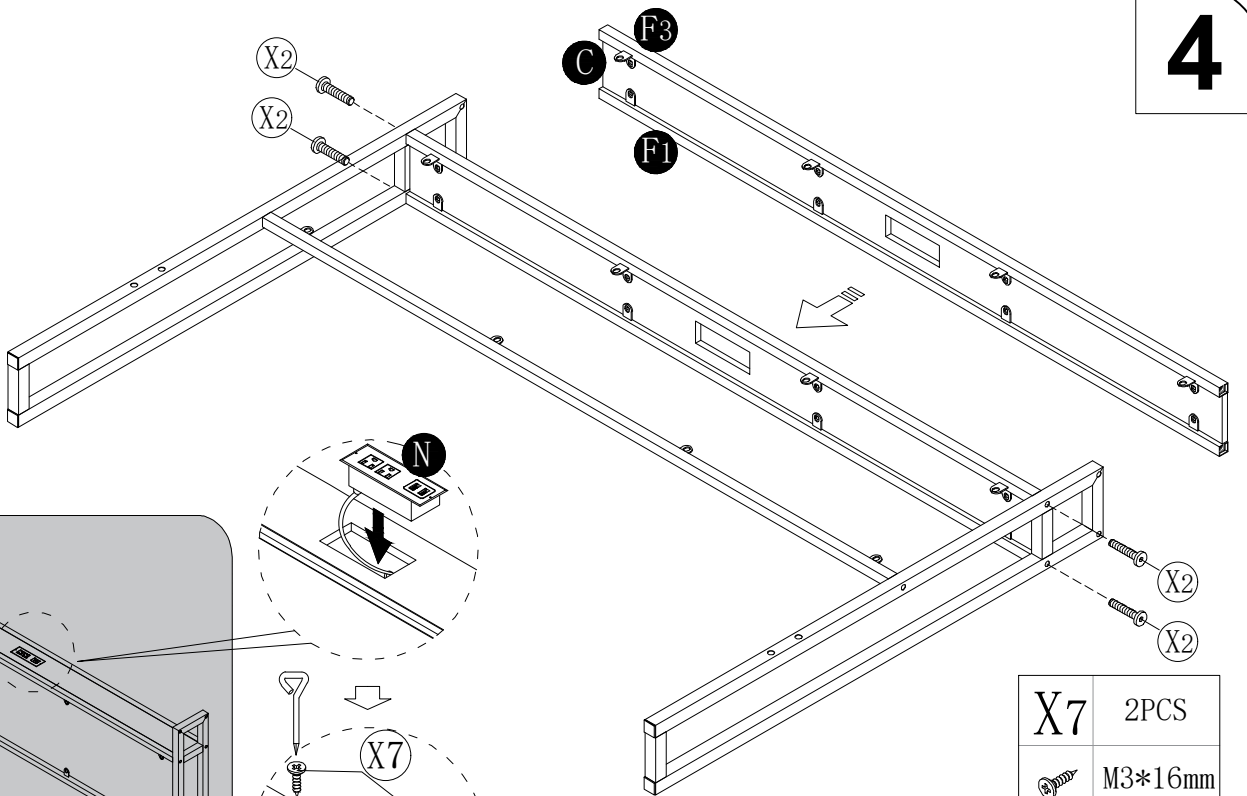
X5	8PCS
	M6*12mm


3




X2	2PCS
	M8*45mm

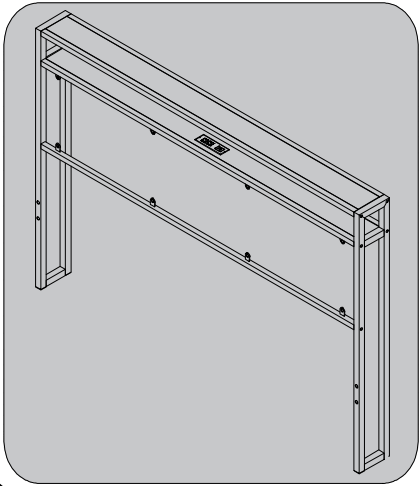
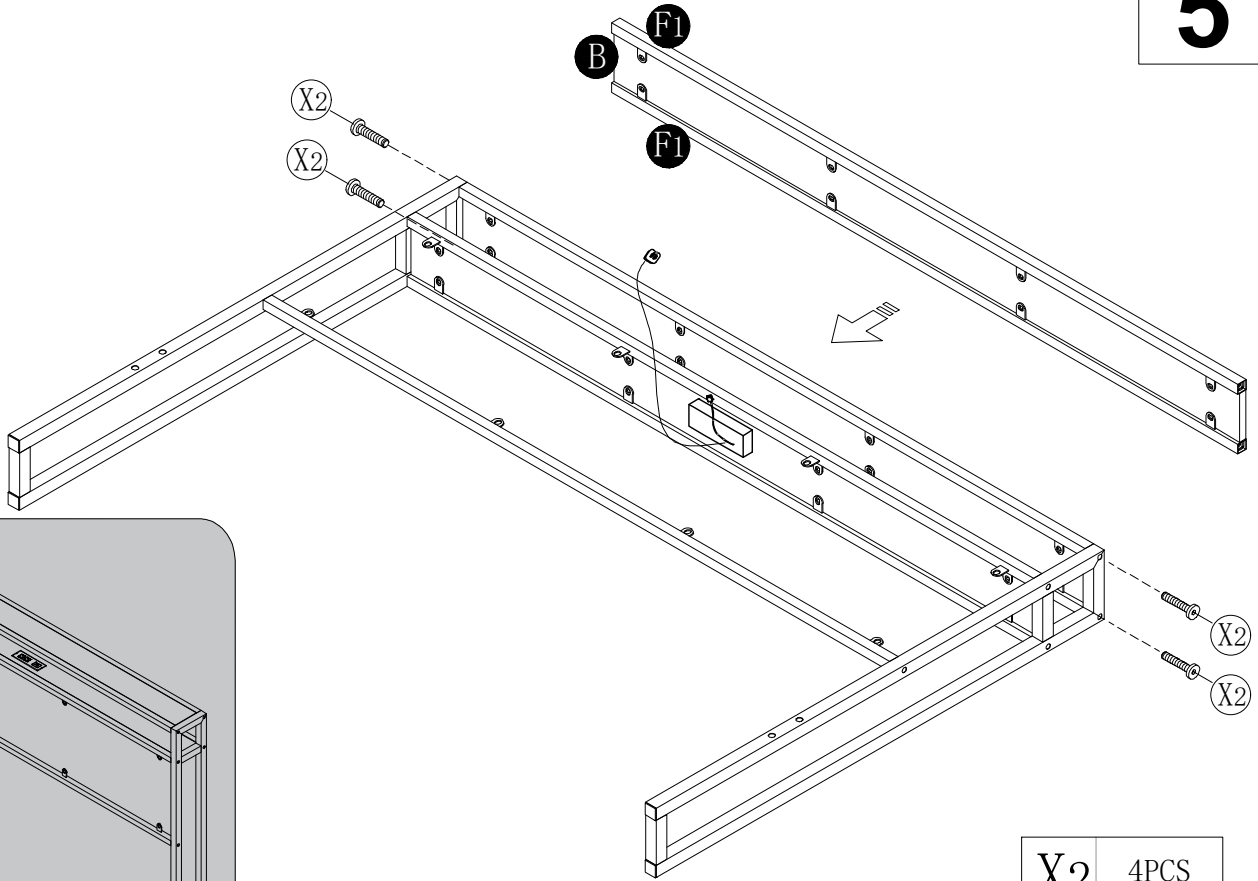
4




X7	2PCS
	M3*16mm

X2	4PCS
	M8*45mm


5

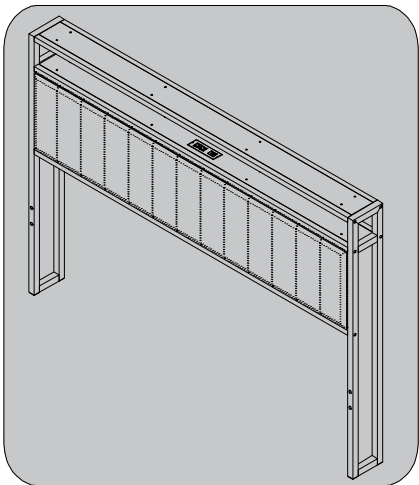
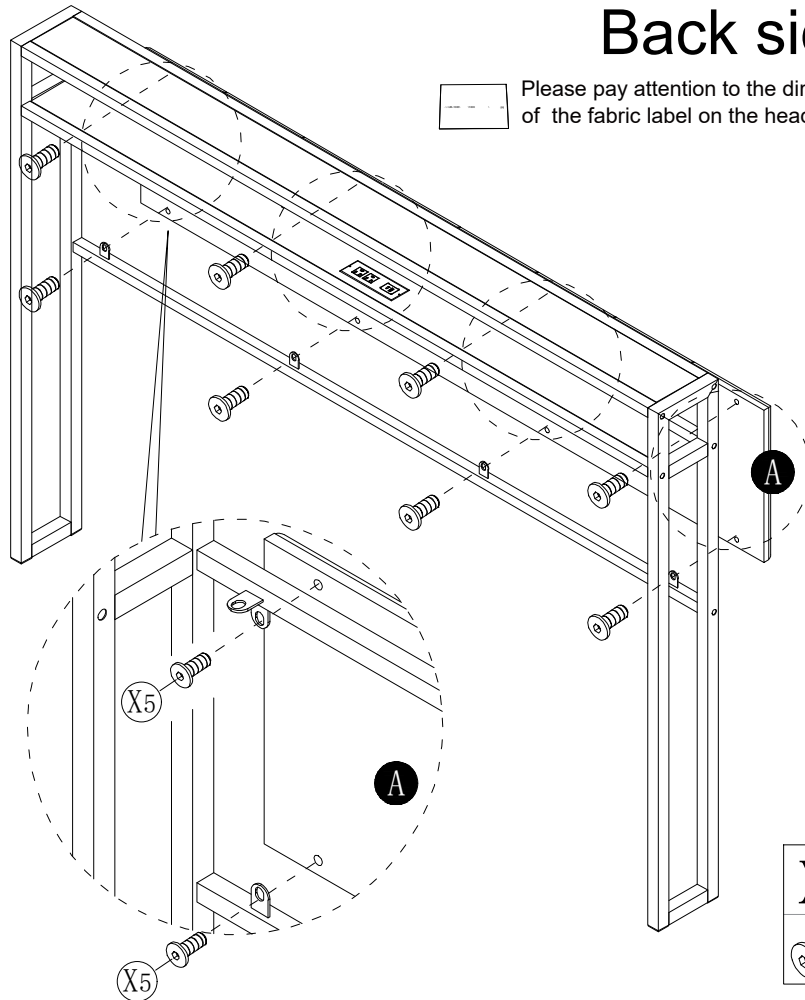
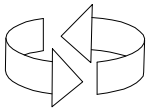



X2	4PCS
	M8*45mm

Back side

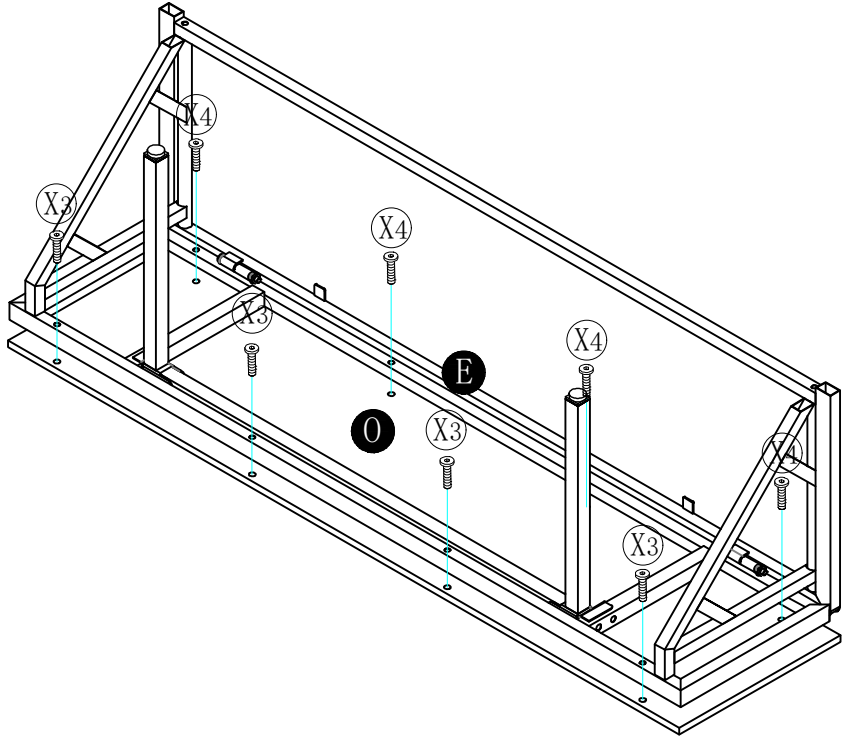
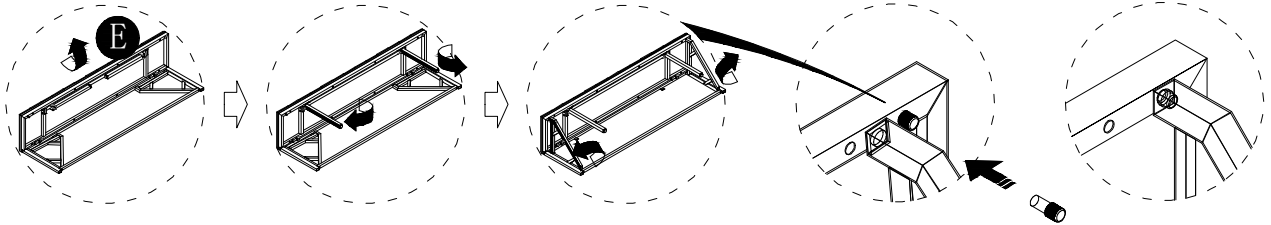
6



 Please pay attention to the direction of the fabric label on the headboard



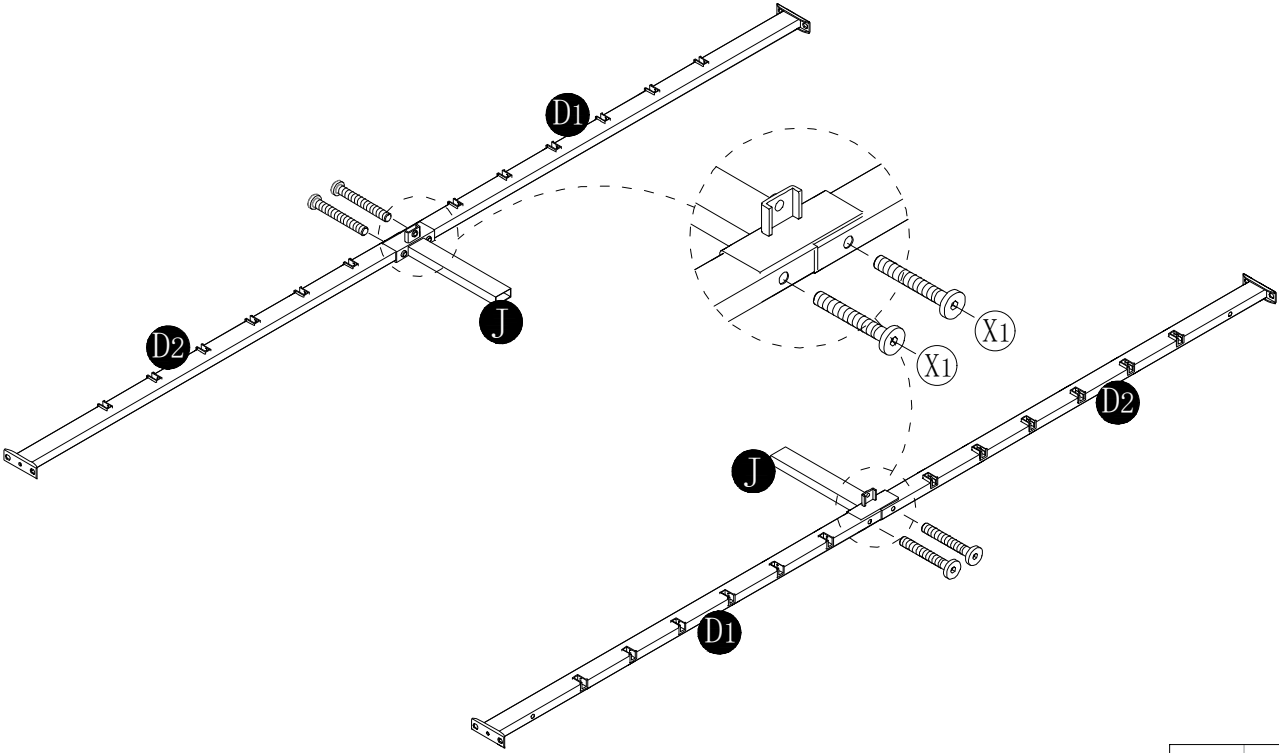
X5	8PCS
	M6*12mm


7



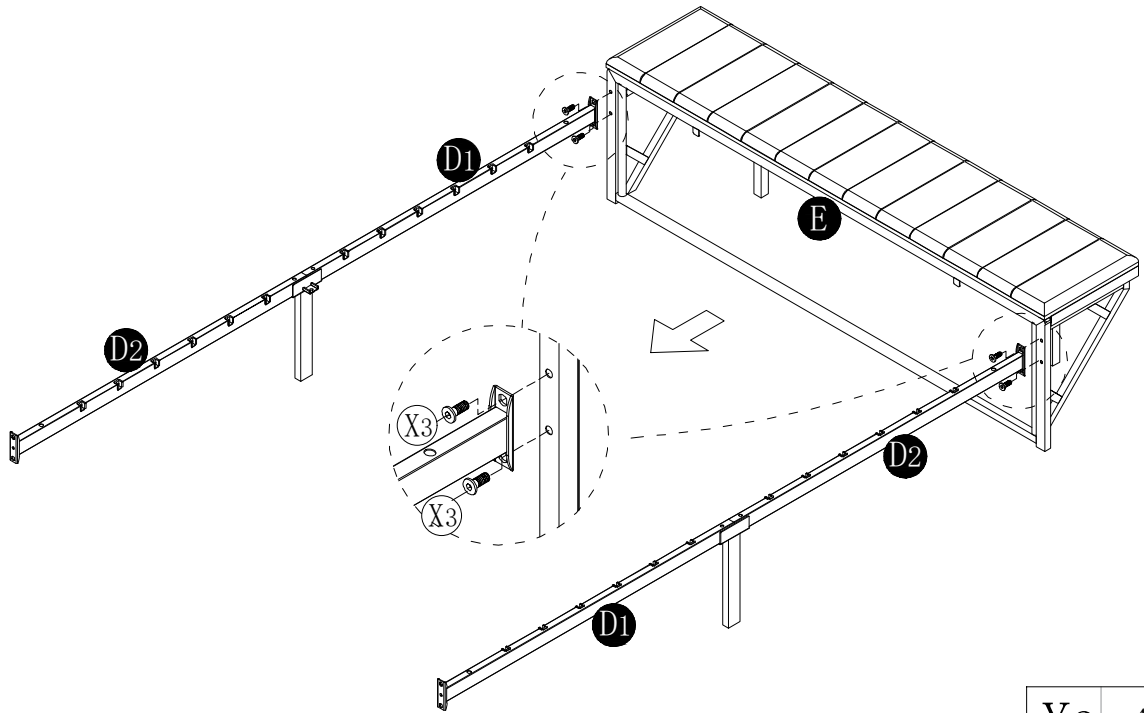
X3	4PCS
	M6*42mm
X4	4PCS
	M6*32mm


8



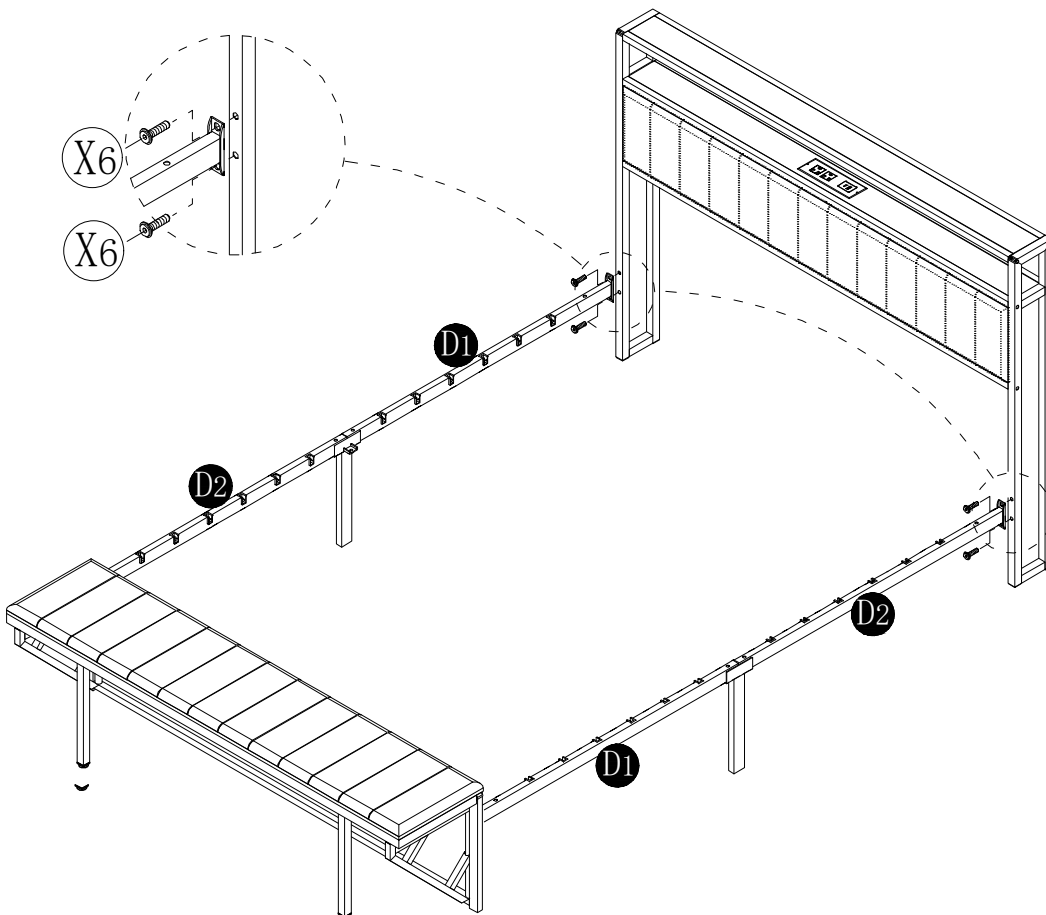
X1	4PCS
	M8*50mm


9

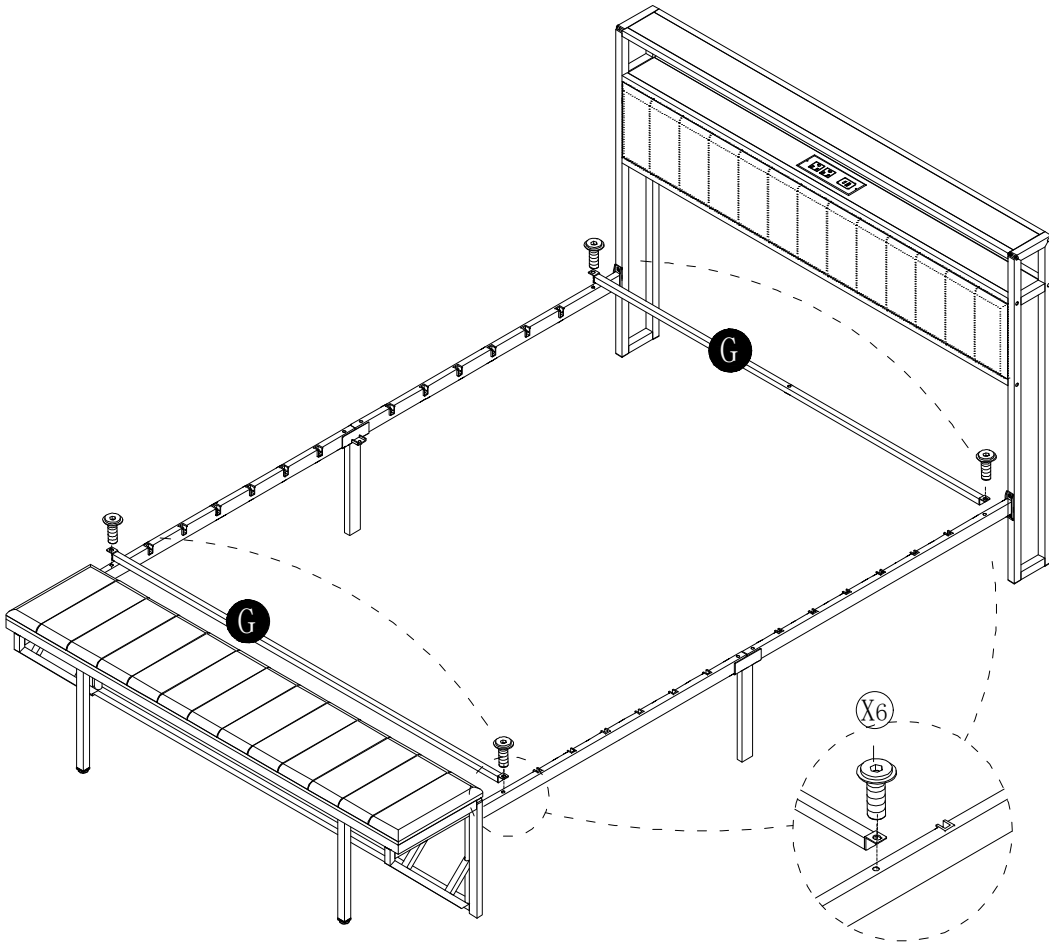



X3	4PCS
	M8*16mm

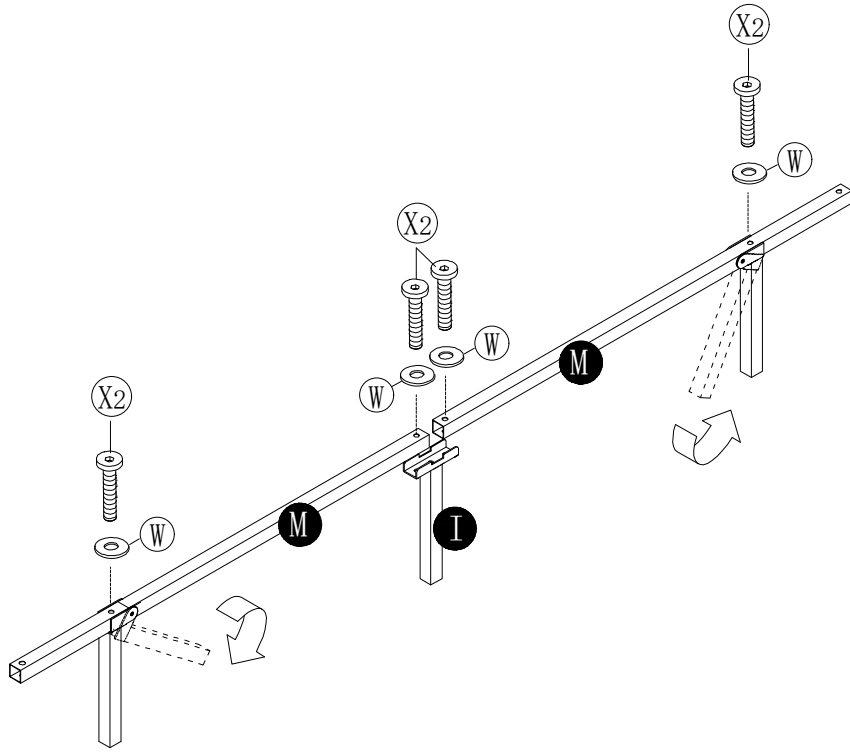
10




X6	4PCS
	M8*16mm

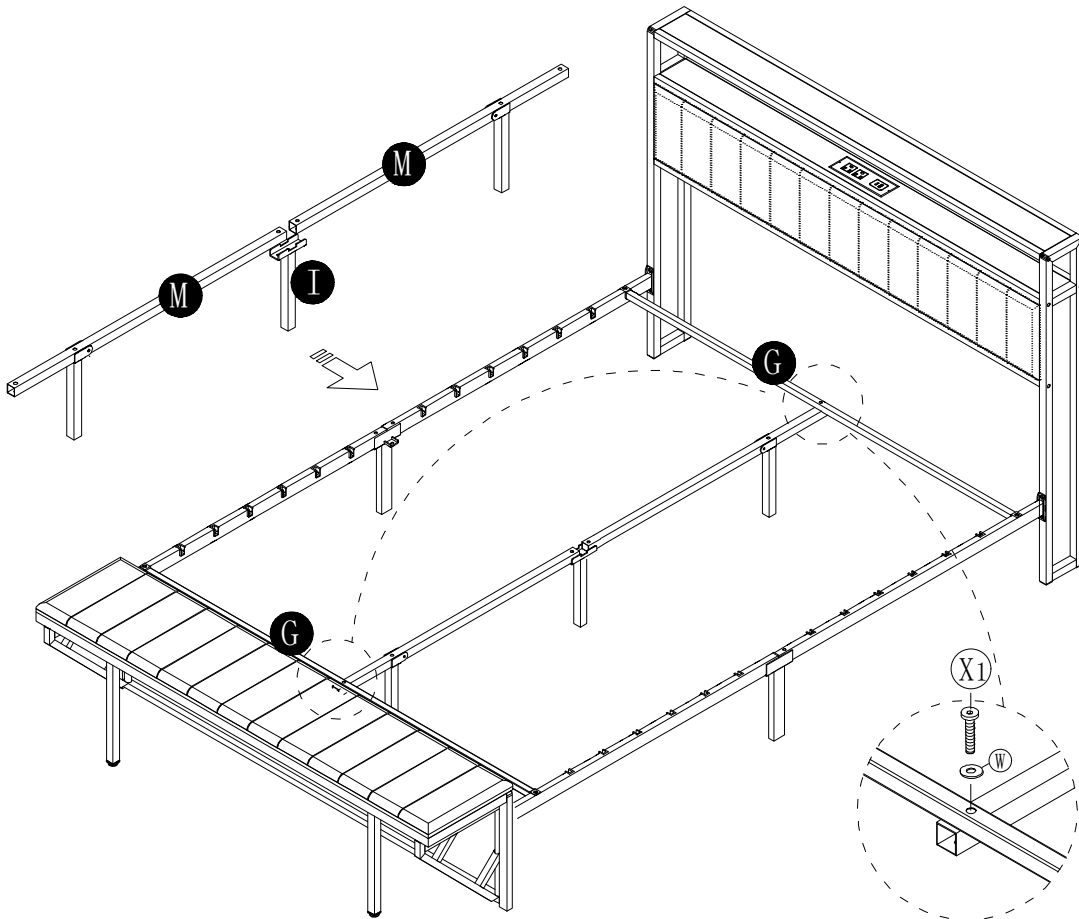




X6	4PCS
	M8*16mm

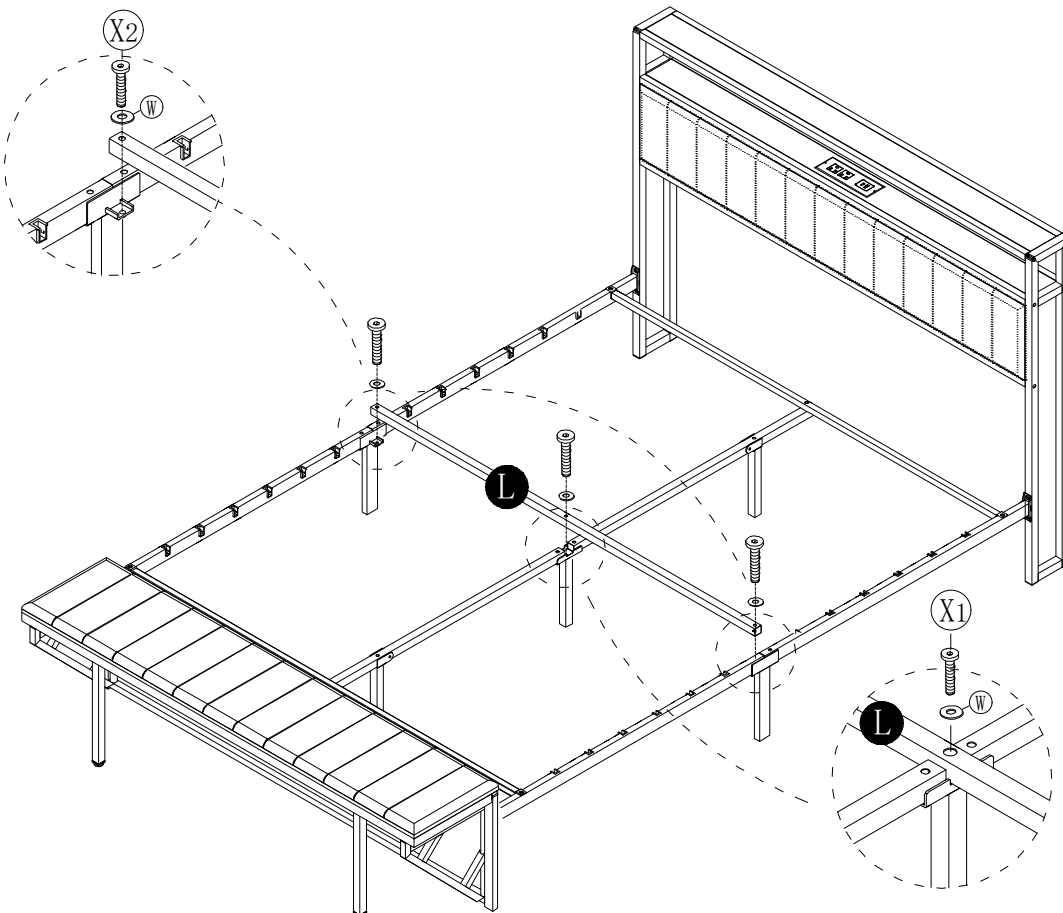





X2	4PCS
	M8*45mm

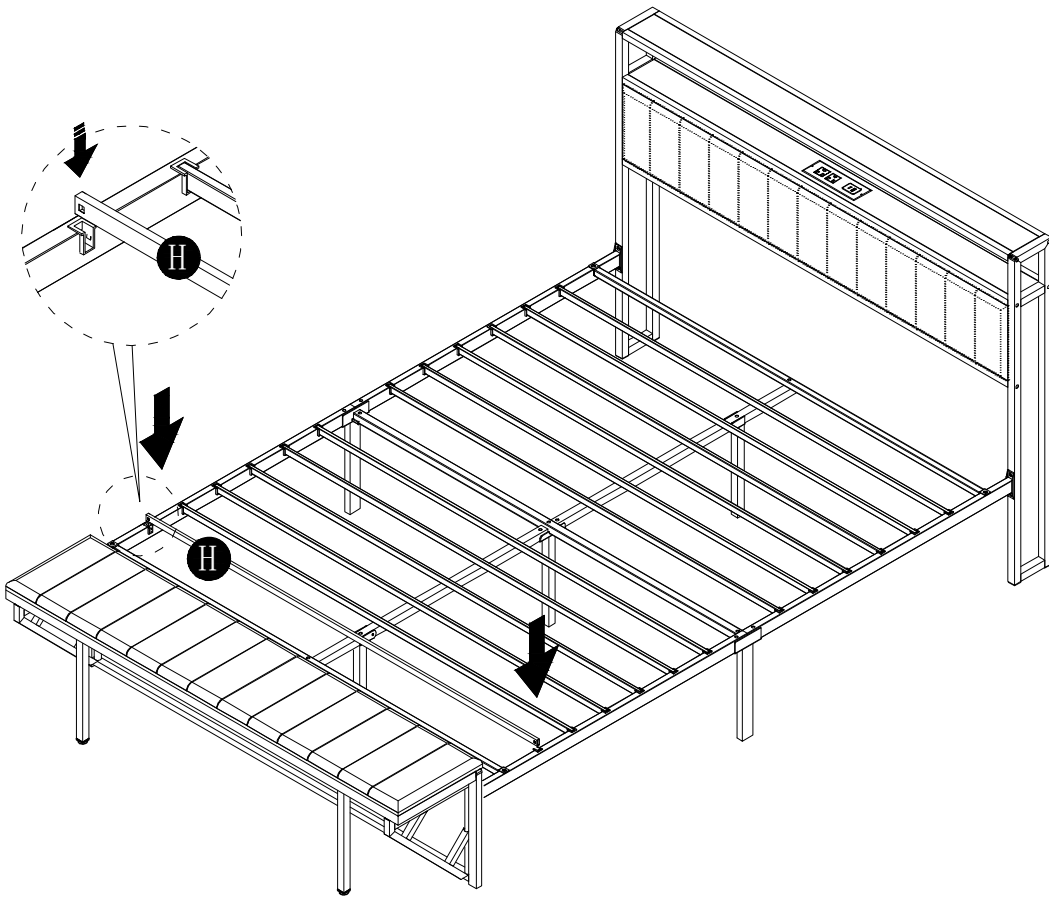
W		4PCS
---	---	------



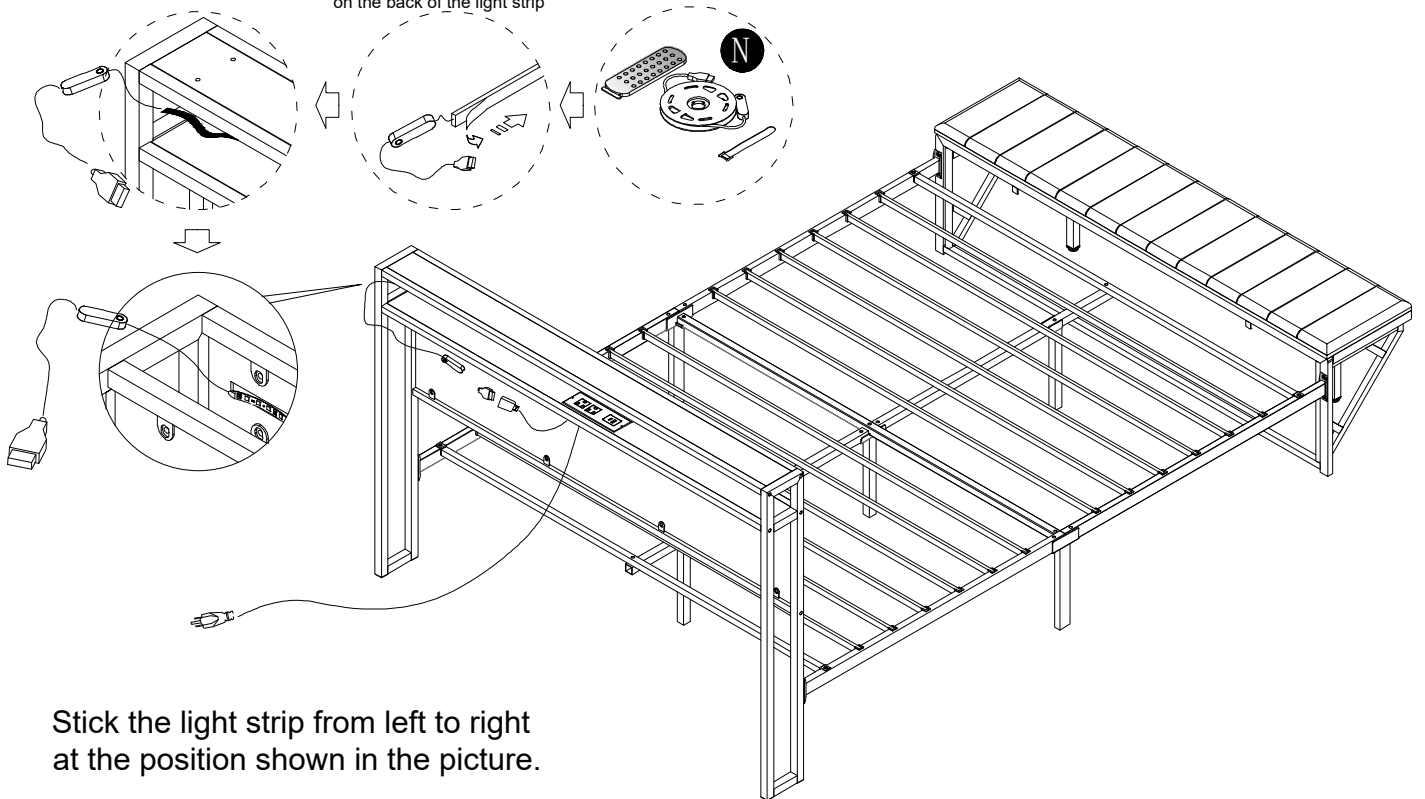
X1	2PCS
	M8*50mm
W	 2PCS



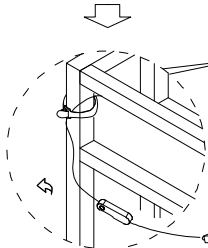
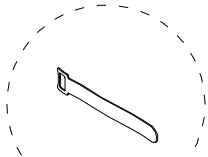
X1	1PCS
	M8*50mm
X2	2PCS
	M8*45mm
W	 3PCS



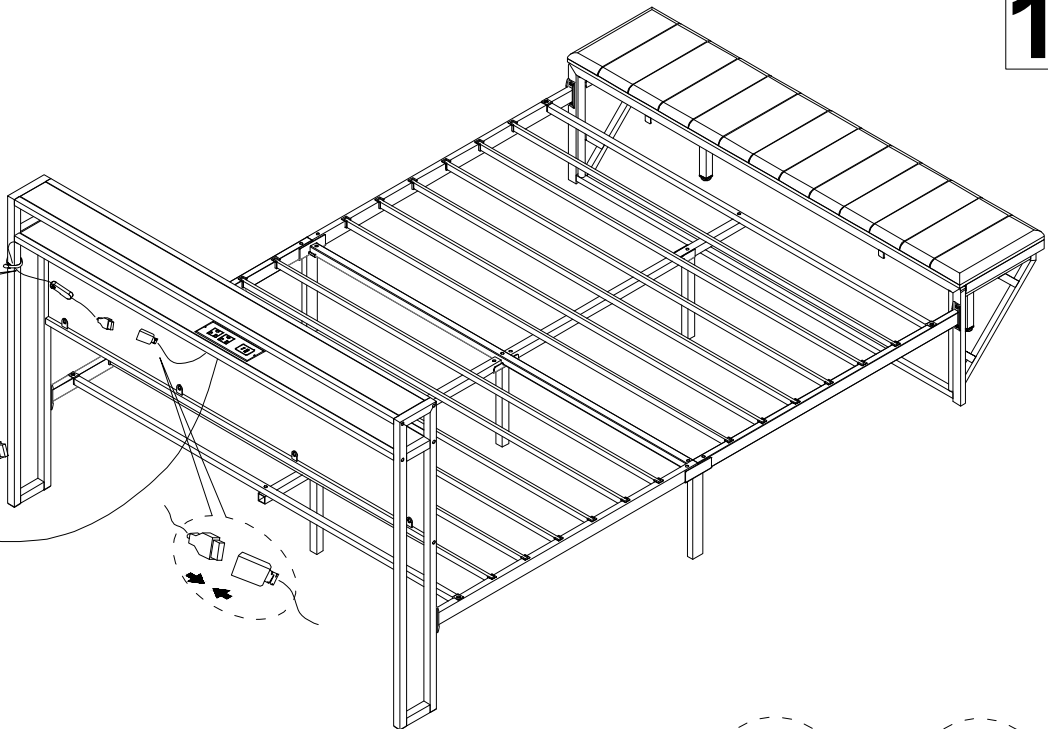
Tear off the colored plastic film on the back of the light strip



Stick the light strip from left to right at the position shown in the picture.



And bind the light strip wires



Installation Complete

Extract the insulation sheet

