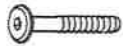


DRESSER

Assembly Instruction

A. Components :

- | | |
|-----------------|-----|
| 1. Dresser | 1 x |
| 2. Legs | 4 x |
| 3. Legs Support | 1 x |



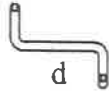
a



b



c

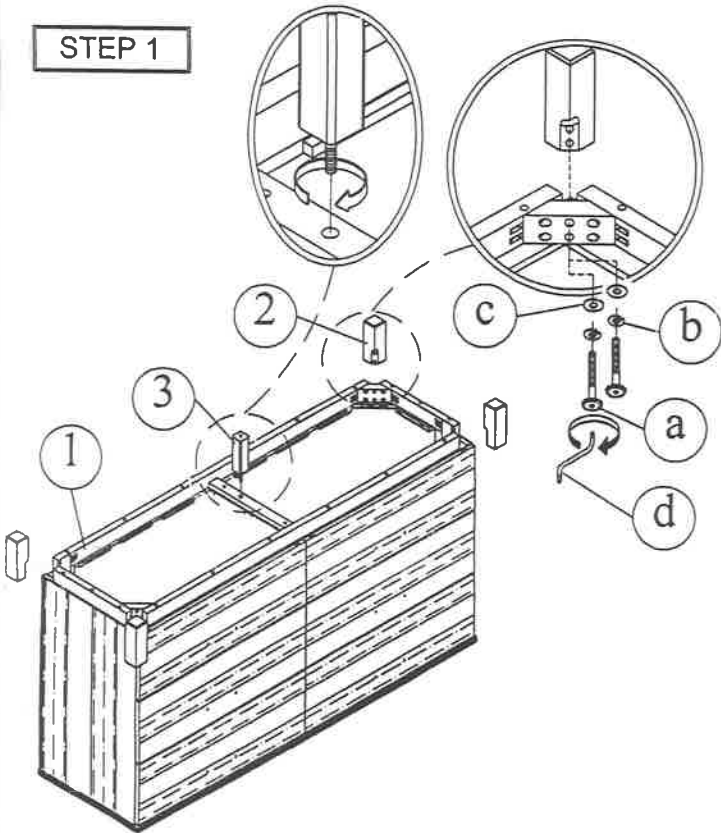


d

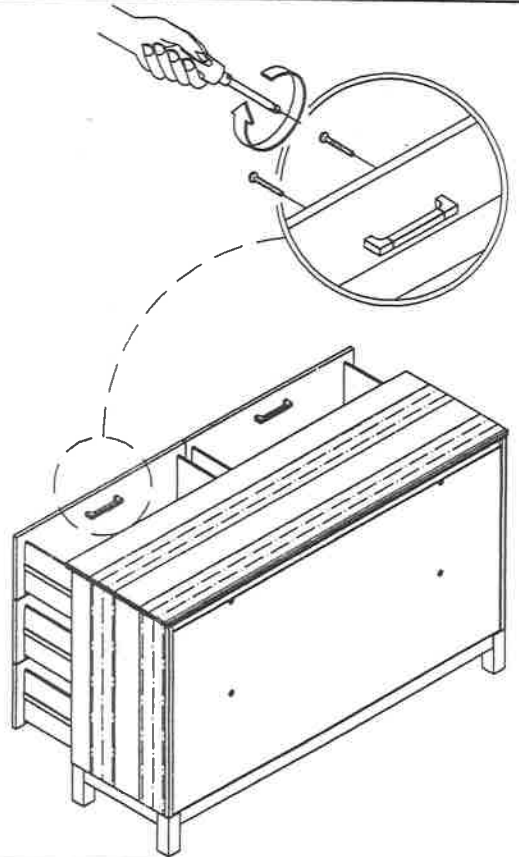
B. Hardware :

- | | |
|----------------|-----|
| a. Allen Bolt | 8 x |
| b. Lock Washer | 8 x |
| c. Flat Washer | 8 x |
| d. Allen Key | 1 x |

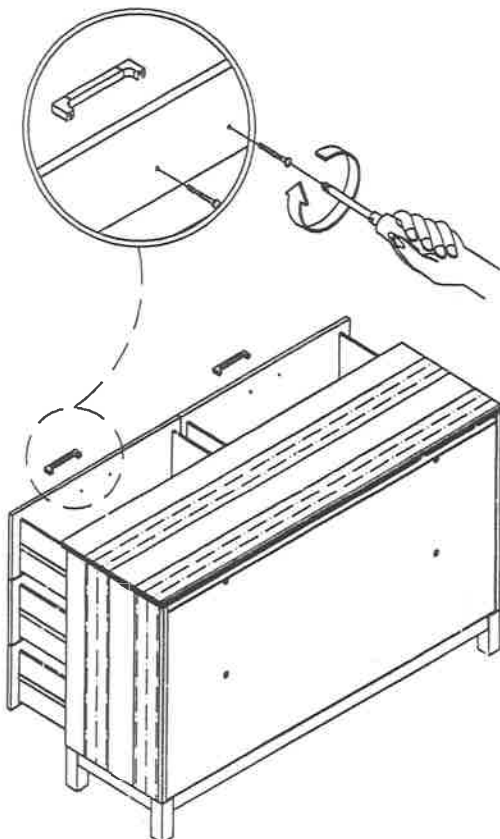
STEP 1



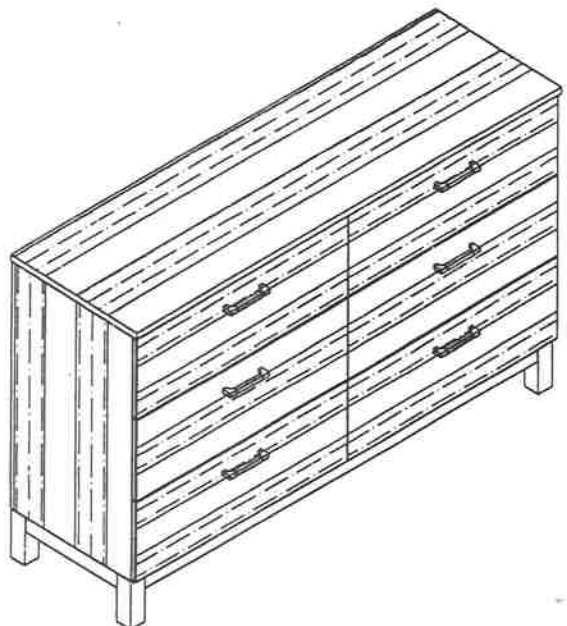
STEP 2



STEP 3



STEP 4

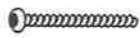


DRESSER

Assembly Instruction

A. Components :

1. Dresser 1 x



a



b



c



d



e

B. Hardware :

- | | |
|--------------------|-----|
| a. Long Screw | 1 x |
| b. Short Screw | 1 x |
| c. Metal Anchor | 1 x |
| d. Restraint Strap | 1 x |
| e. Fischer | 1 x |

C. Tool Required :

1. Screw Driver = (not included)

