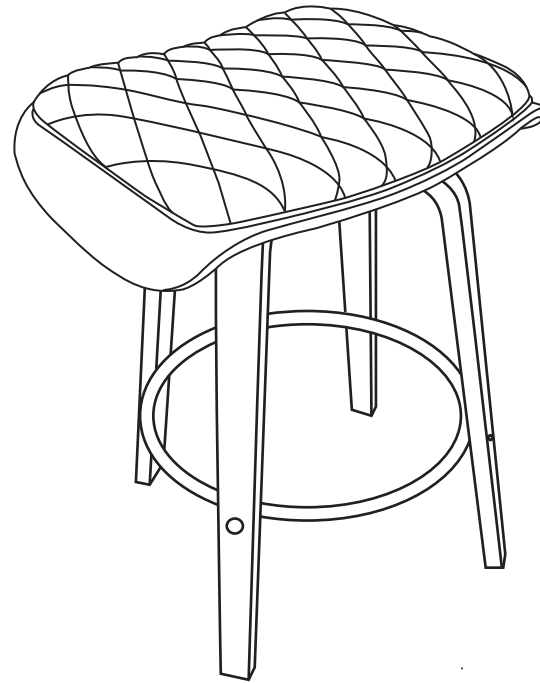
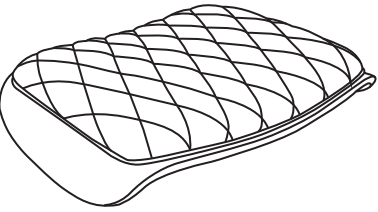
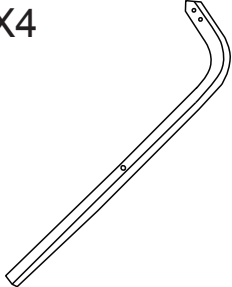
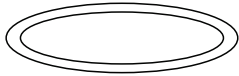
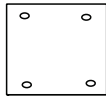
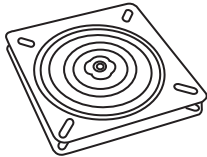

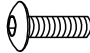


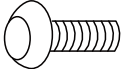
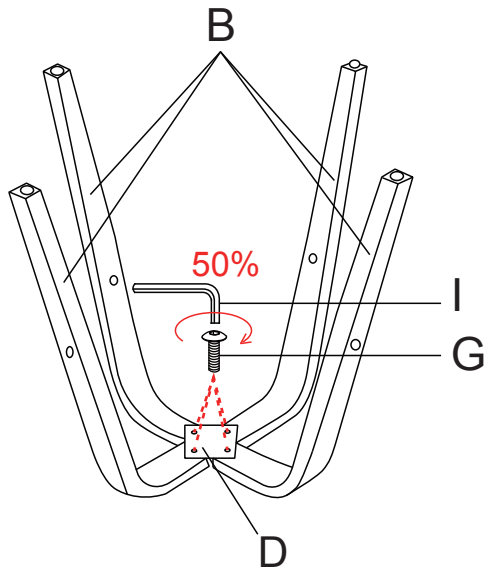


ITEM NO.: 8561B



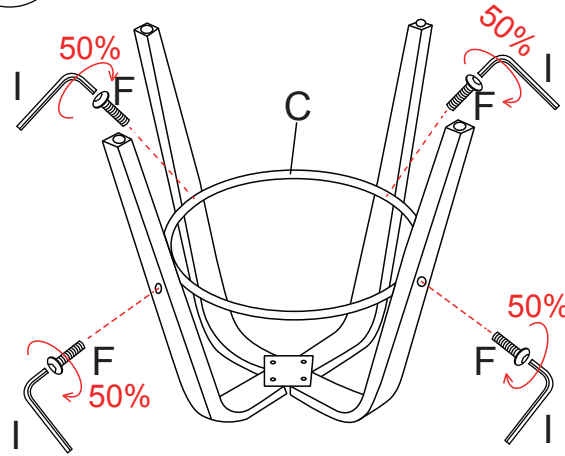
<p>AX1</p> 	<p>BX4</p> 	<p>CX1</p> 	<p>DX1</p> 	<p>EX1</p> 
<p>FX4+1Ext</p>  <p>M6X30mm</p>	<p>GX12+1Ext</p>  <p>M6X20mm</p>	<p>HX4+1Ext</p>  <p>PLASTIC CAP</p>	<p>IX1</p>  <p>M6</p>	<p>JX1</p>  <p>SPARE FOOTNAIL</p>

1



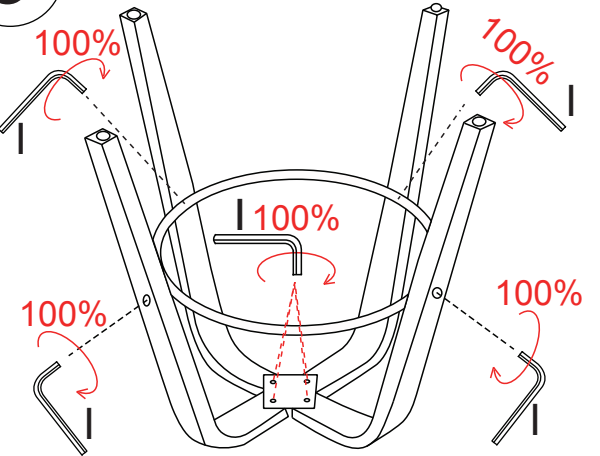
Note: Do NOT tighten the screws(G) in step 1

2



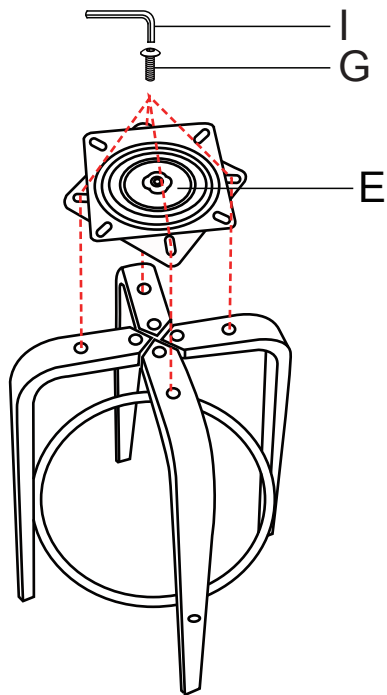
Note: Do NOT tighten the screws(F) in step 2

3

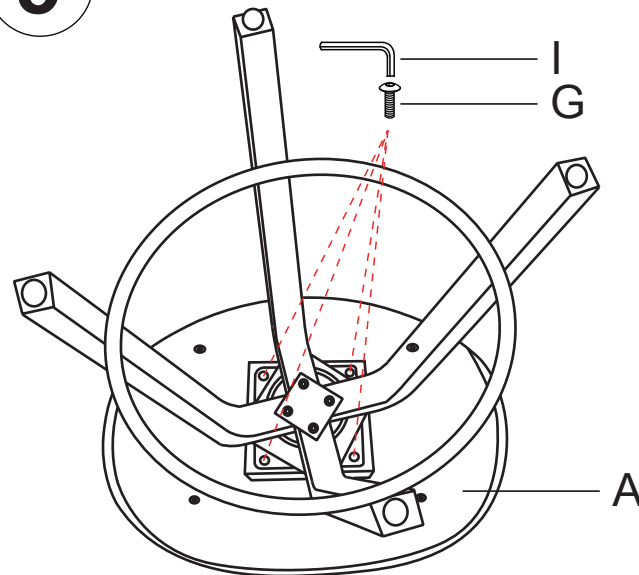


Note: Tighten the screws(G) and screws(F) in step 3

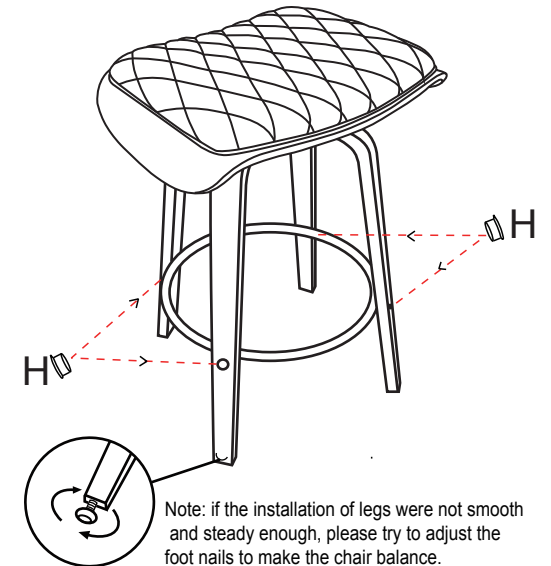
4



5



6



Note: if the installation of legs were not smooth and steady enough, please try to adjust the foot nails to make the chair balance.