





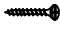


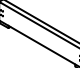
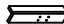






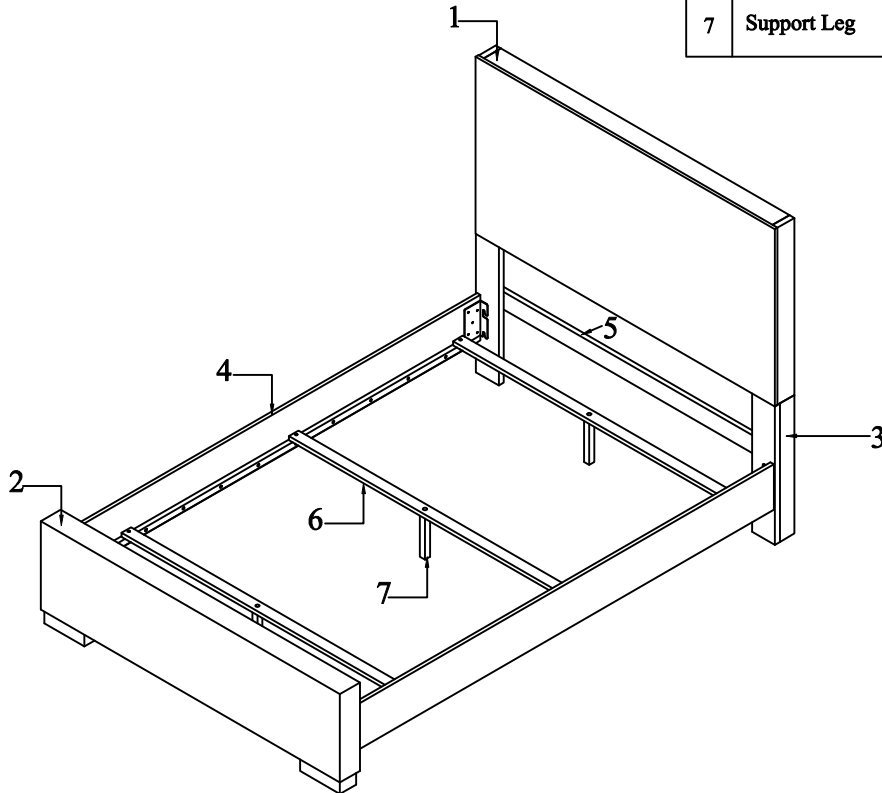
ASSEMBLY INSTRUCTION

Thank you for purchasing this quality product. Be sure to check all packing material carefully for small parts which may have come loose inside the carton during shipment. Separate, identify and count all parts and metal hardware. Compare with parts list to be sure all parts are present. If any part (S) are missing or damaged, please contact your local furniture dealer. For efficient and speedy service, please indicate the model number and code letter of parts (s) when needed.

Do not fully tighten screws until fully assembled

HARDWARE LIST				
No	Description	Sketch	Size	Qty
A	Allen Bolt		5/16"X25mm	16pcs
B	Allen Bolt		5/16"X30mm	8 pcs
C	Allen Bolt		5/16"X40mm	4 pcs
D	Lock Washer		5/16"	28pcs
E	Flat Washer		5/16"X19X2mm	28pcs
F	Allen Key		4mm	1 pc
G	Screw		#8X25mm	6 pcs
H	Metal plate connect			2 pcs

No.	Description	Sketch	Qty
1	Headboard Panel		1 pc
2	Footboard		1 pc
3	Headboard Post		2 pcs
4	Side Rails		2 pcs
5	Headboard bottom stretcher		1 pc
6	Slat		3 Set
7	Support Leg		3 pcs

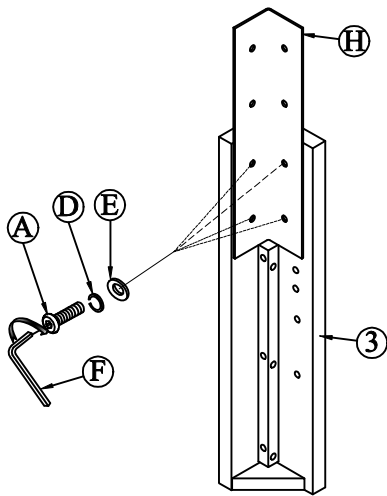


ASSEMBLY INSTRUCTION

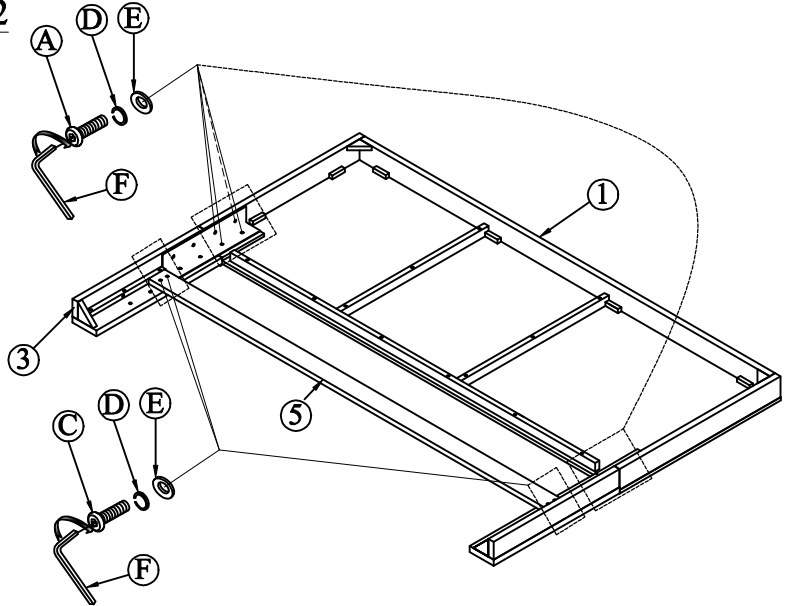
Thank you for purchasing this quality product. Be sure to check all packing material carefully for small parts which may have come loose inside the carton during shipment. Separate, identify and count all parts and metal hardware. Compare with parts list to be sure all parts are present. If any part (S) are missing or damaged, please contact your local furniture dealer. For efficient and speedy service, please indicate the model number and code letter of parts (s) when needed.

Do not fully tighten screws until fully assembled

STEP 1



STEP 2



STEP 3

