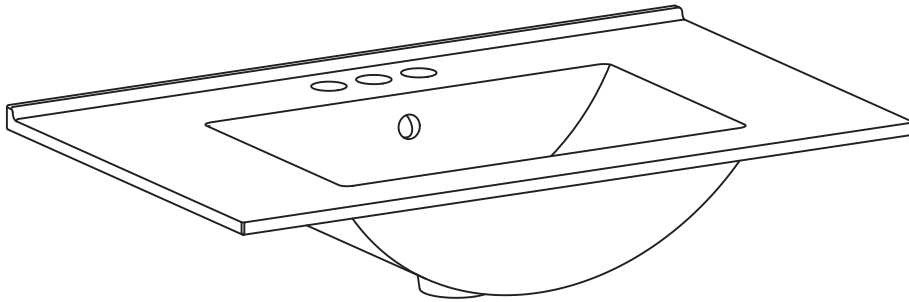


Vanity sink top

Instruction Manual


(NVO86-MJWY)

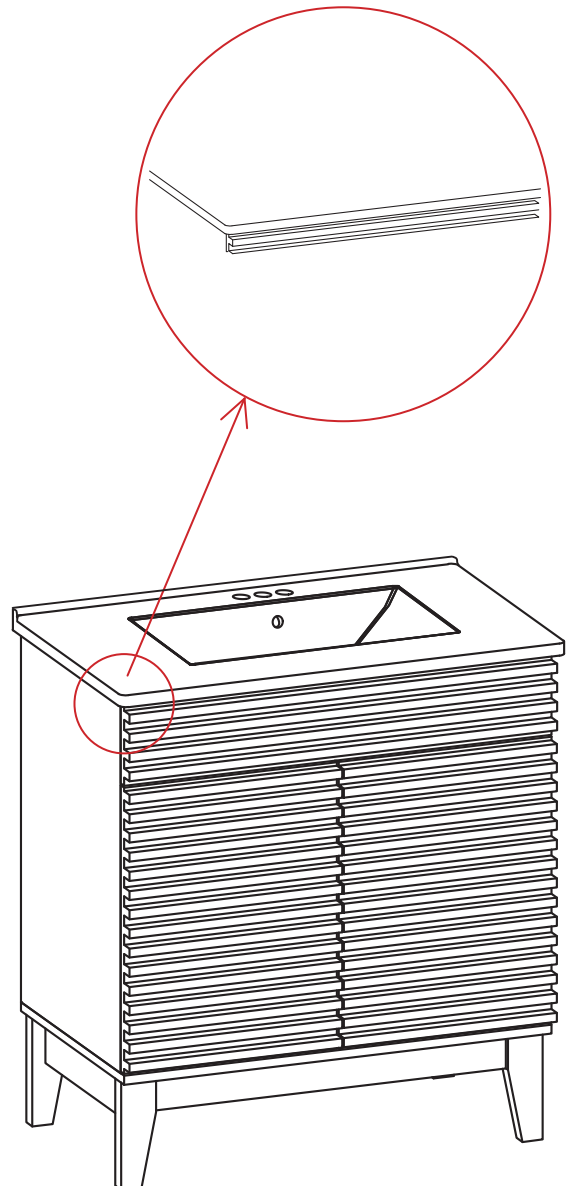
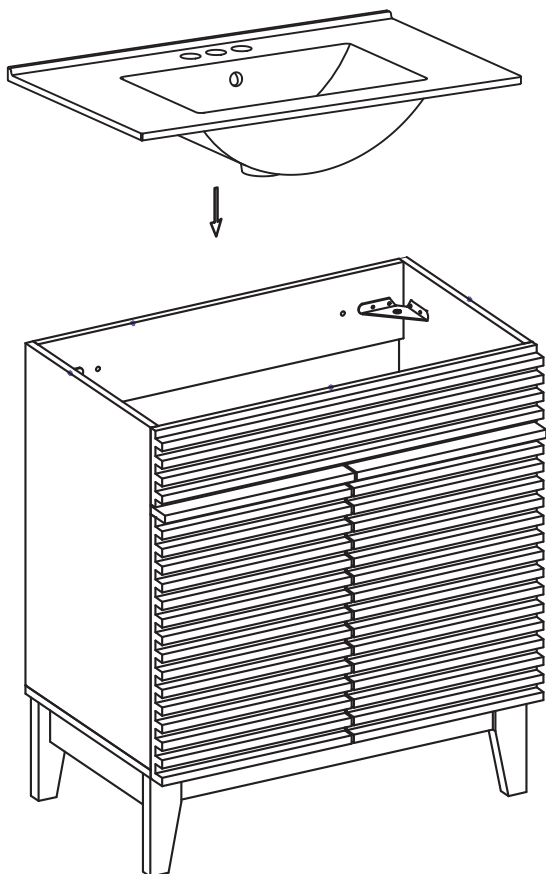


Vanity sink top ASSEMBLY

STEP 1


Place the vanity sink top in the vanity and check for any gaps around the cabinets to ensure flatness and alignment.

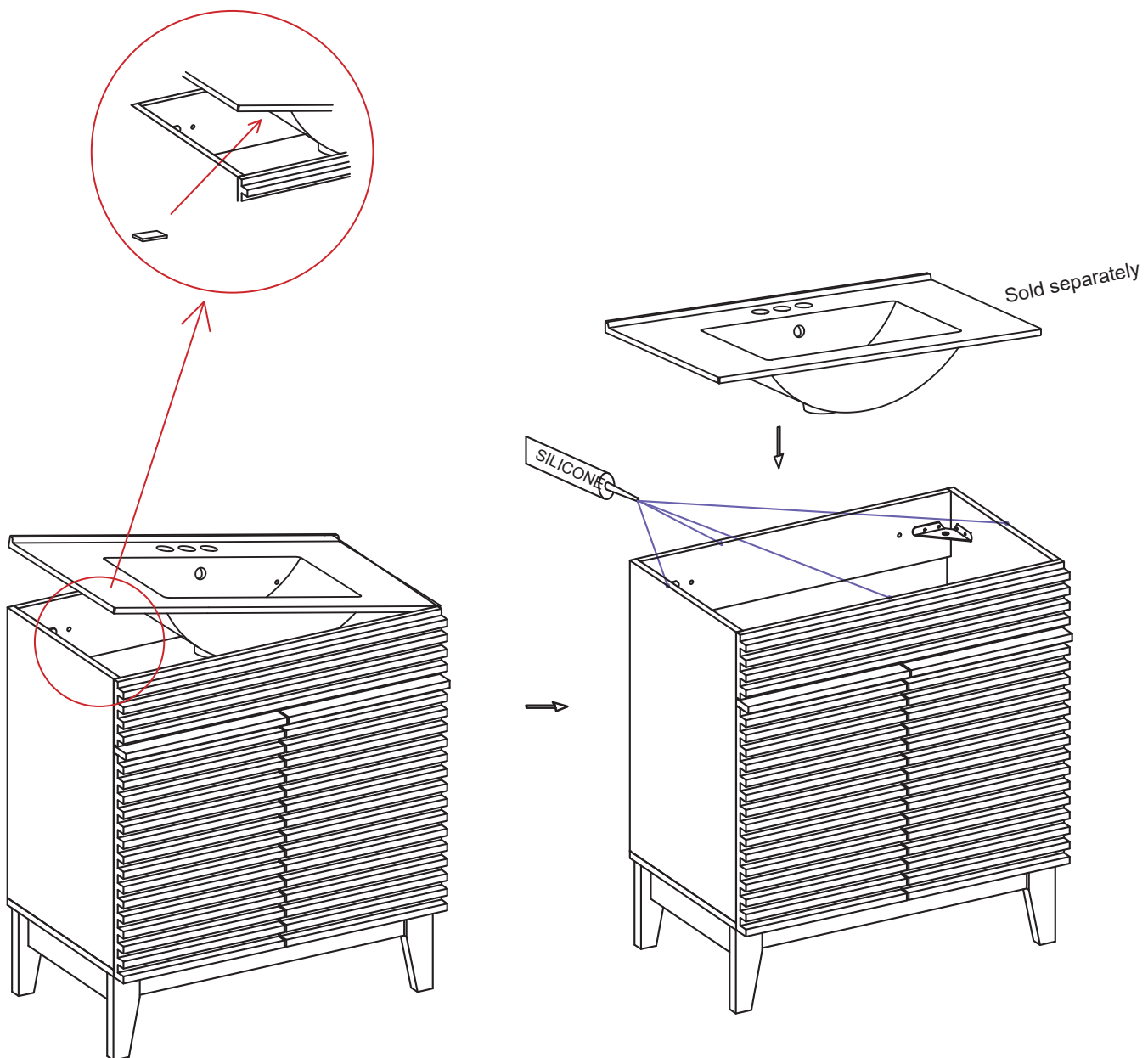
Part	Quantity
	1PCS



STEP 2

Slightly lift the uneven areas of the vanity sink top and apply acrylic adhesive. Apply a thin bead of silicone around the base of the vanity and carefully position it in place. Remove any excess caulking with a wet rag.

Part	Quantity
	6PCS



AFTER-SALES SERVICE CARD

We sincerely thank you for trusting our service and our products, and may this product add enrichment to your home. We guarantee that the product has undergone strict quality inspection and meticulous packaging. If you encounter any issue regarding either shipping or the product, please feel free to contact us at any time. We'd be more than happy to serve you wholeheartedly.

Yours Sincerely

Eastern Time) or contact help@EverythingSupport.com

Address: 3005 Breckinridge Blvd, Suite 200, Duluth, GA 30096

If you have any questions or concerns please feel free to contact us. We're committed to providing our customers with the quality service.