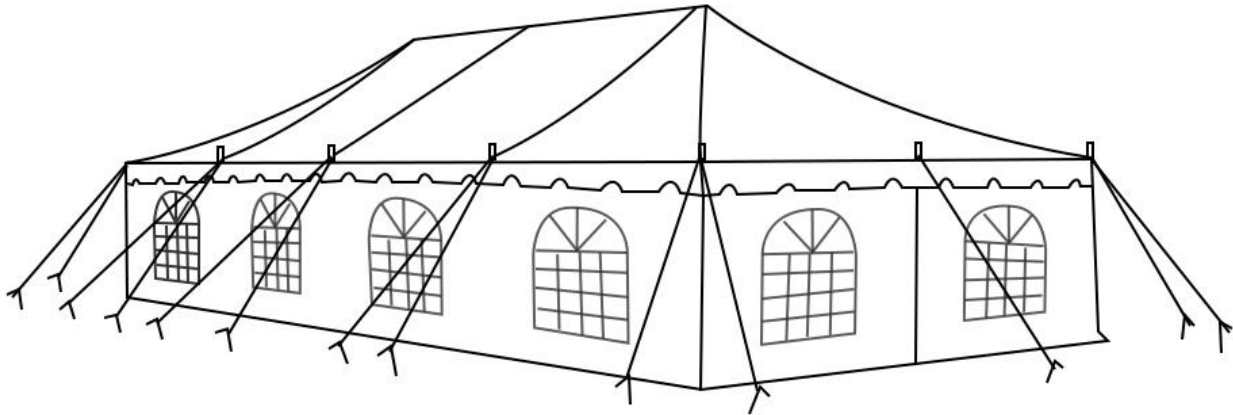


PVC POLE TENT 30'X20' 40'X20'

WQG046 WQG047

Please read the instructions **COMPLETELY** before assembly. This tent **MUST** be securely anchored.

THIS IS A TEMPORARY STRUCTURE AND NOT RECOMMENDED AS A PERMANENT STRUCTURE



Warning!

1. Before installation, consult with all local municipal codes regarding the installation of temporary shelters. The owner of the tent has the sole responsibility to make sure that these local rules are followed and that the mounting is correct.
2. **We are not responsible for damage to the unit or the contents from acts of nature.**
3. Periodically check the anchors to ensure stability of shelter.
4. In case of extreme weather conditions, the tent cover must be removed.
5. Any shelter that is not anchored securely has the potential to fly away and cause damage. **We are not responsible for any shelter that blows away.**
6. **This canopy is intended to protect against the effects of sun, rain, light snow, etc. It is not designed to hold the loads that can accompany wind, rain, snow, or ice storms. This structure is not tested for specific snow, rain, and wind loads.**
7. A tight cover ensures longer life and performance. Always maintain a tight cover. Loose fabric can accelerate the deterioration of cover fabric.
8. **Immediately remove any accumulated water, snow, or ice from the roof structure with a broom, mop, or other soft-sided instrument.**
9. Do not use open fire, welding equipment, or other ignition sources in the tent.
10. **We recommend you insure the tent, or check if it is covered by home contents insurance, in case of unplanned events, accidents, or bad weather.**

CARE AND CLEANING:

- A tight cover ensures longer life and performance. Always maintain a tight cover. Loose fabric can accelerate the deterioration of cover fabric.
- **Immediately remove any accumulated water, snow, or ice from the roof structure with a broom, mop, or other soft-sided instrument.**
- NEVER leave this tent up overnight, particularly with roof and side panels on when a gust of winds can damage it.
- DO NOT use bleach or harsh abrasive products to clean the fabric cover. The cover is easily cleaned with mild soap and water.

5+ individuals recommended for assembly, approximate 1 to 1.5 hour
Choose a calm day to set up your tent.

Before putting up

When unpacking the parts, keep them away from children. Smaller parts could be swallowed and suffocation can be caused by plastic bags! Choose a suitable location for your pavilion.

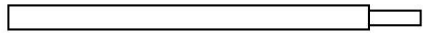
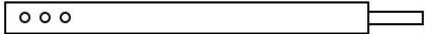
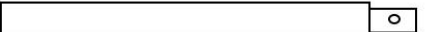
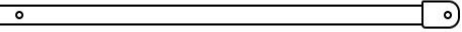
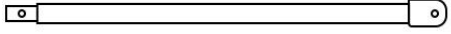
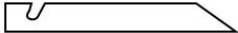



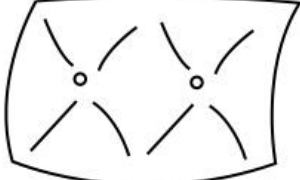

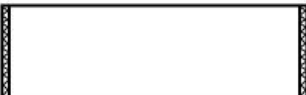
Pay attention to the following points when choosing a location:

- The pavilion must stand on a flat, non-slip, and safe place
- Choose a sheltered location
- Avoid damaging the material, please place the pavilion in a position where it cannot rub or chafe against branches, parts of buildings, etc.
- Put up the pavilion at a safe distance from fireplaces and pay attention to the direction of the wind
- After use, allow your pavilion to dry in an upright position before packing it away.

Attention

Choose a calm day to set up your tent.

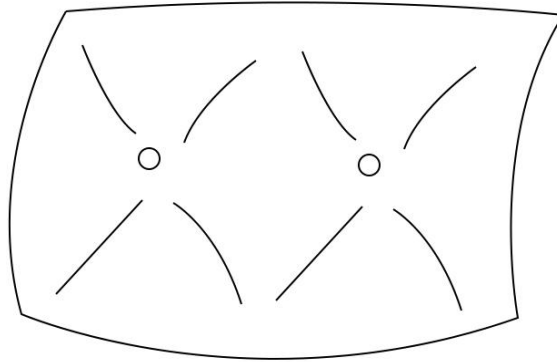
Please use gloves when assembling the metal frame portion of this unit. The metal components of this product have been treated with a rust-preventive coating that may feel oily to the touch. This coating is not dangerous, but may dirty your hands during assembly. We recommend that you wipe metal parts clean with a mixture of warm water and dish detergent before assembly. Should your hands become dirty, simply wash with soap and water. After the whole frame is set up, they should be the same as the below pictures.

Description	Item No.	20' *30'	20' *40'	Picture
Side Pole	1	10	12	
Center Pole	2	2	3	
Center Pole	3	2	3	
Top Pole	4	1	2	
Top Pole	5	1	2	
Anchor	6	18	22	
Rope	7	18	22	
Thin Rope	8	4	4	
Small Peg	9	34	42	
Top Cloth	10	1	1	
Sidewall with Window	11	2	2	
Sidewall	12	2	2	

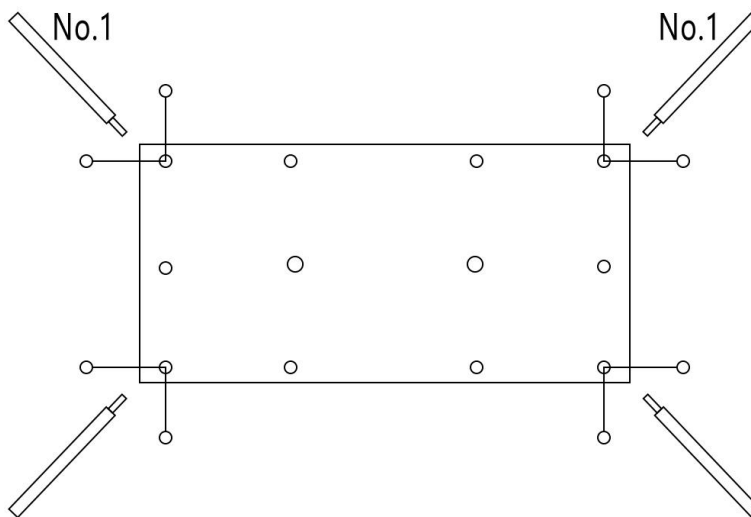
Note:

Use cleaner to clean the poles before you set it up. Oil was added to the poles to prevent rusting. If this oil gets onto the fabric it can be hard to remove.

Step 1: Unroll and unfold the top on the desired spot to be covered, keep the tent top as square as possible. Pull the perimeter of the tent as tight as possible. The center of the top will not be totally flat due to the peak of the tent.



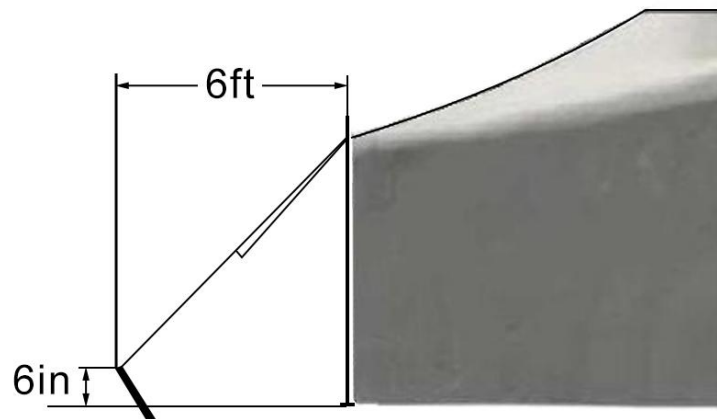
Step 2: Lay out all the hardware around the tent as shown, place anchors approximately 8ft from the grommet locations, No.1 pole to each grommet location. Insert the No.3 center pole into the No.2 center pole to make a whole center pole.



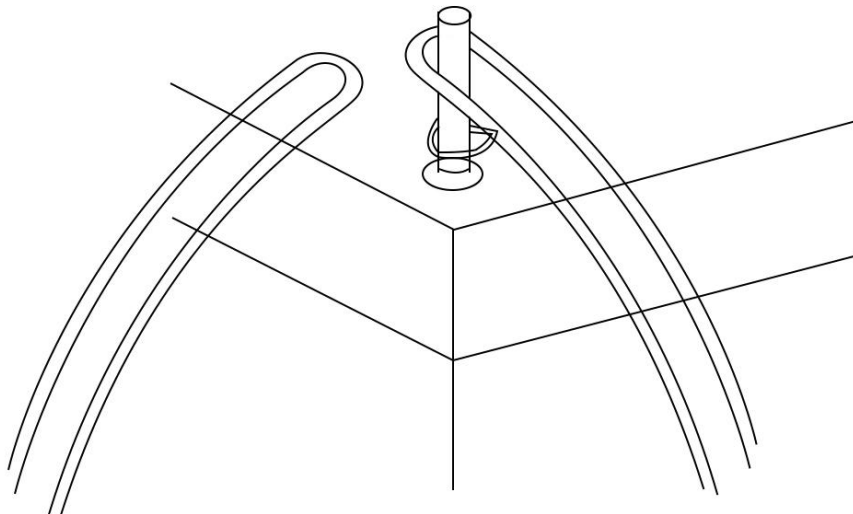
Step 3: Hammer the anchors into the ground as the picture shows.

Warning: Make sure that anchors are driven into the ground firmly. If the ground is soft, tent collapse is possible. If there is no firm place to set up your tent, you must buy longer anchors to prevent collapse. Do not push anchors in by hand. Use a hammer to drive anchors firmly into the ground.

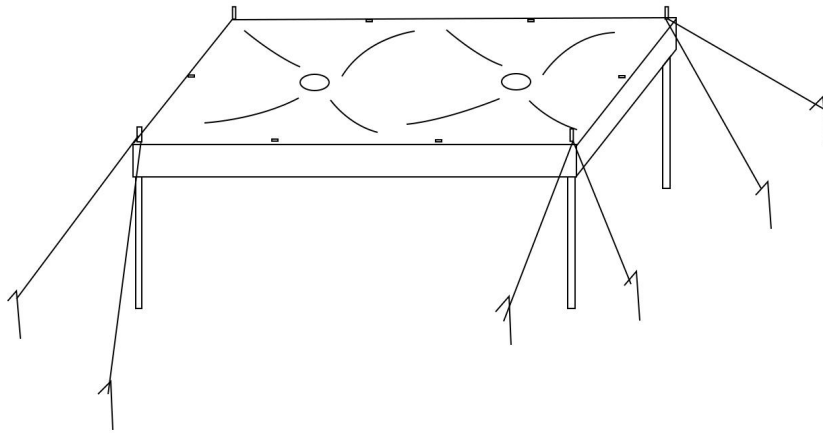
The site of Anchor



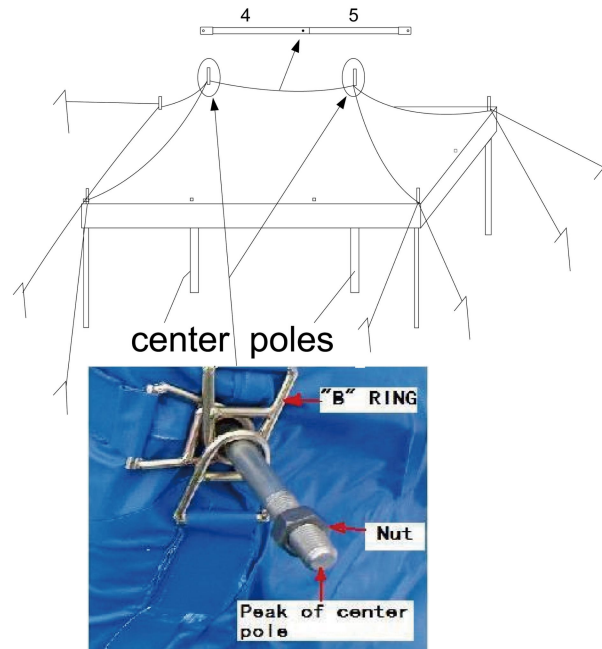
Step 4: Insert the corner pole pin through the brass grommet and “B” ring. Set two pieces of rope on the pole pin.



Step 5: Set the corner pole leaning in towards the tent at 90 angle, Repeat all 4 corners, and tie the rope on the anchors and strengthen the rope to make all poles stable.

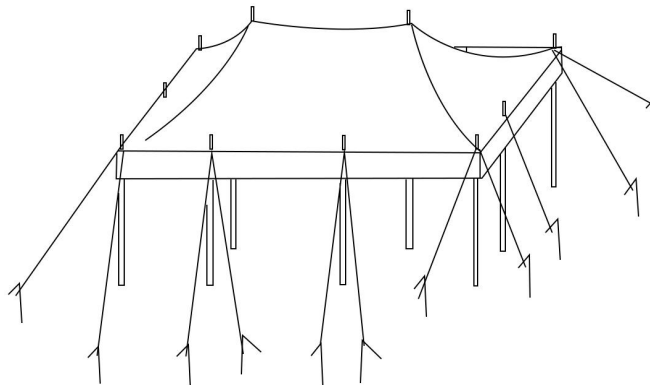


Step 6: Insert the No.5 top pole into the No.4 top pole to make a whole top pole. Insert the whole top pole between the center poles. Insert the center pole tip through the center brass grommet and “B” rings, and use nut to lock the tip. Make sure that the pin is not caught on any part of the tent top. Push the two center poles into a vertical position.

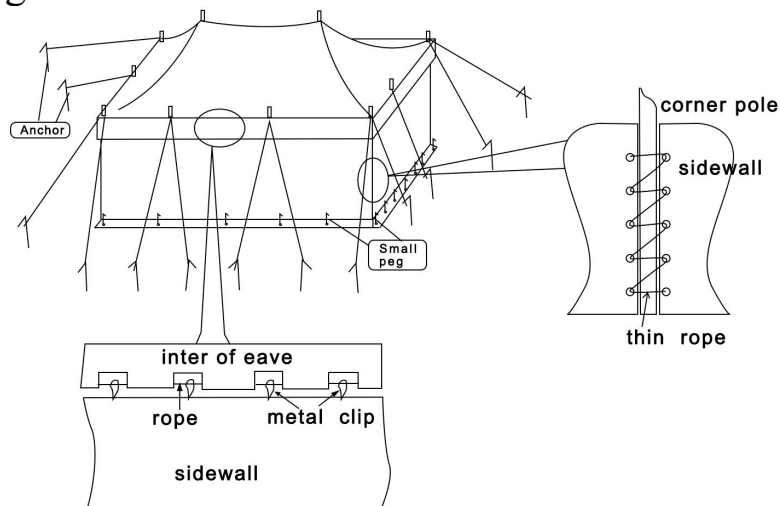


Step 7: With the corner side poles and center poles vertically straight. We will add the remaining side poles. Insert the pole pins at each location, through the brass grommet and “B” ring, and cover with two pieces of rope for each pole. Pull the pole at straight vertical position. Tie the ropes on the anchors.

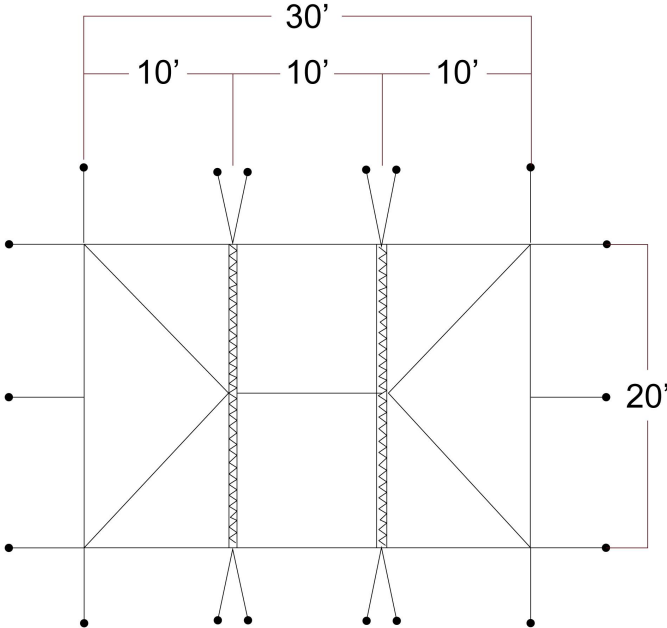
Warning: All the poles must be straight and all the ropes must be tightened to their limit to prevent tent collapse. If the poles are not straight, or the ropes are not tightened properly, the tent will collapse. Not liable for injuries or property damage.



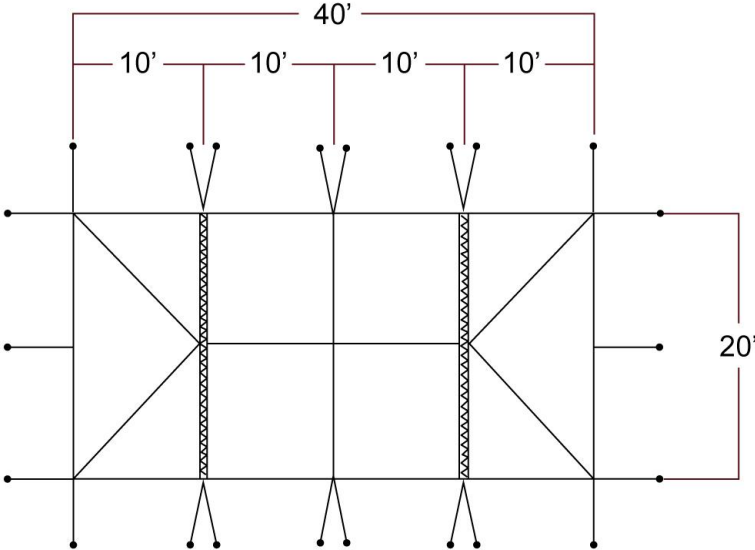
Step 8: Hung up all four sidewalls to finish the tent assembly. Fit the sidewalls to the tent assembly. Use metal clips to hook the ropes of the inner eaves and attach the sidewalls to the roof. Use Velcro on the all sidewalls to clasp the side poles. Connect sidewalls to corner poles by thin rope. Lastly, fix the sidewalls to the ground with small pegs through the grommets of ground skirt.



30'x20' Pole Tent Layout:



40'x20' Pole Tent Layout:



Warning:

- 1. The tent is designed for wedding parties and is not used for storage.**
- 2. It is necessary to put the tent down in case of bad weather.**
- 3. We are not responsible for any damage caused by improper use, improper setup, or bad weather.**