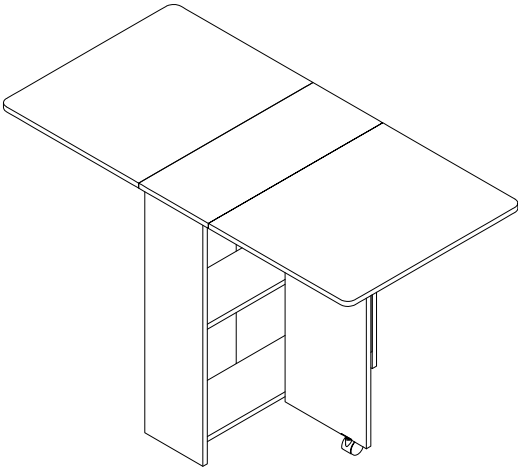
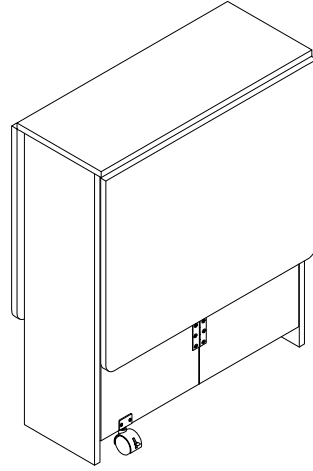


# Assembly Instruction

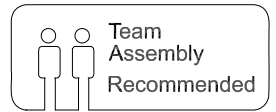


Warning: Be careful not to get your fingers caught when putting down the panel.



Warning: Pay attention to keep the table stable when moving it

Product Dimensions:  
47.24"L×23.62"D×29.53"H



## Tips!



1. Check all the components & screws are intact before assembling .
2. If you notice any pieces are missing or damaged please do not assemble and contact us immediately .
3. **Please send an email with you order number and issues, we will respond within 24 hours.**

## IMPORTANT SAFETY INFORMATION

- Please carefully read the following instructions and caution warnings before assembling the product.
- Following this guide will ensure that you install, use and maintain the product properly.
- Please keep this installation and user manual/instructions for future reference in case you need to disassemble the product.
- Never allow children to climb onto the product. Ensure that you have special safety measures when children are around on their own.
- Be sure to check that all parts of the product are intact after you open the package.
- Do not assemble if you notice serious damage such as cracks or bends.
- During installation, please use work gloves for hand safety.
- Please assemble the unit on carpeted floor or the flat cardboard box to avoid scratching the surface or your floor while assembling on the floor.
- To assemble, please use the complimentary installation tools (Phillips screwdriver). Pay more attention to the direction of components at each steps.
- It is recommended that two people work together to assemble the product.

## RETURN POLICY

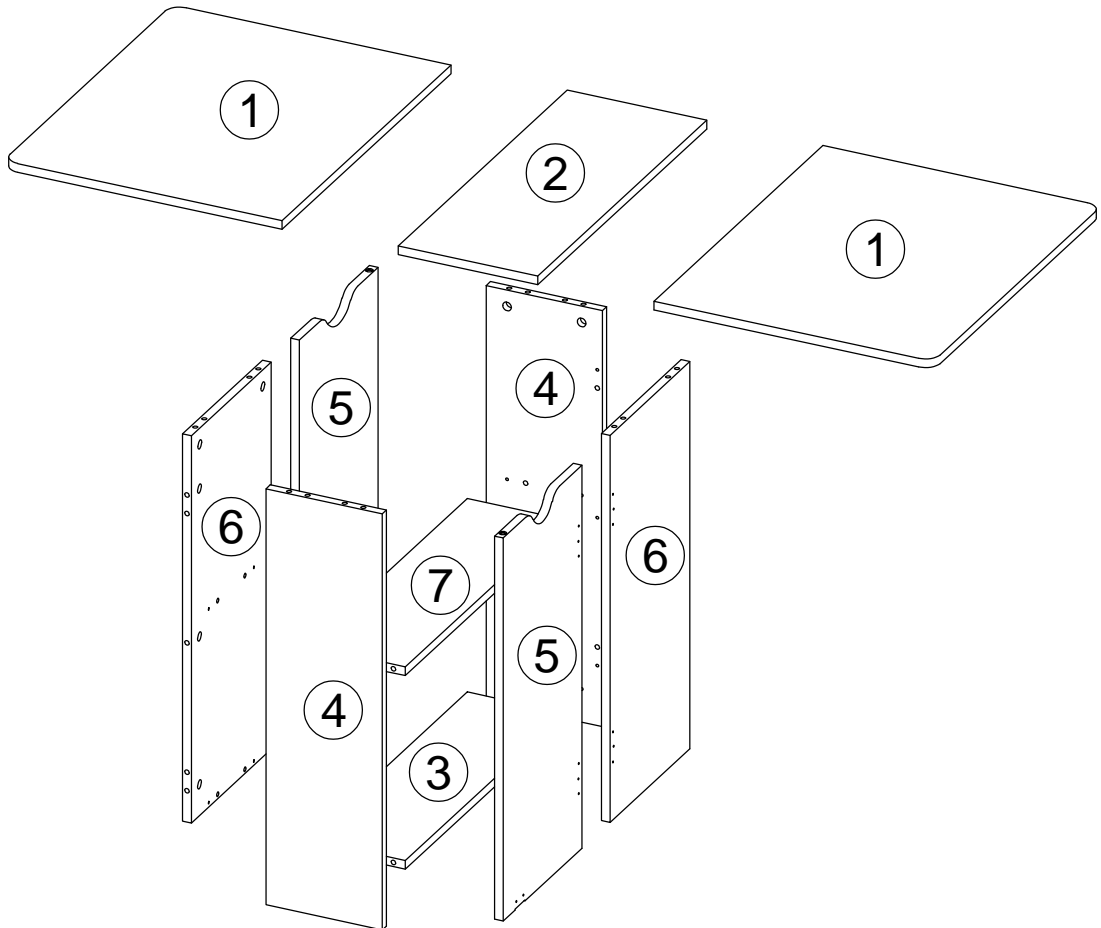
- Please contact us directly within 30 days after receiving.
- Ensure the product is in a good condition with the original box and all original certificates of purchase, manuals, and accessories attached.

## HOW TO MAINTAIN YOUR PRODUCT

- Check the screws of the product are not loose from regular use.
- Do not use sharp instruments, rubbing alcohol, corrosive chemicals, or abrasive cleaners to clean the item.



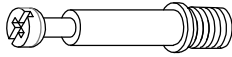

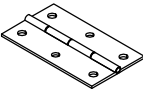
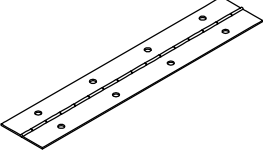

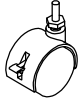


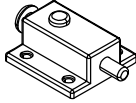
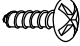
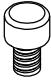

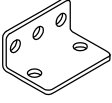

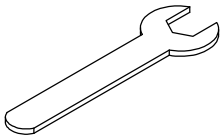
## COMPONENT PARTS

Please check that you have all the parts listed below



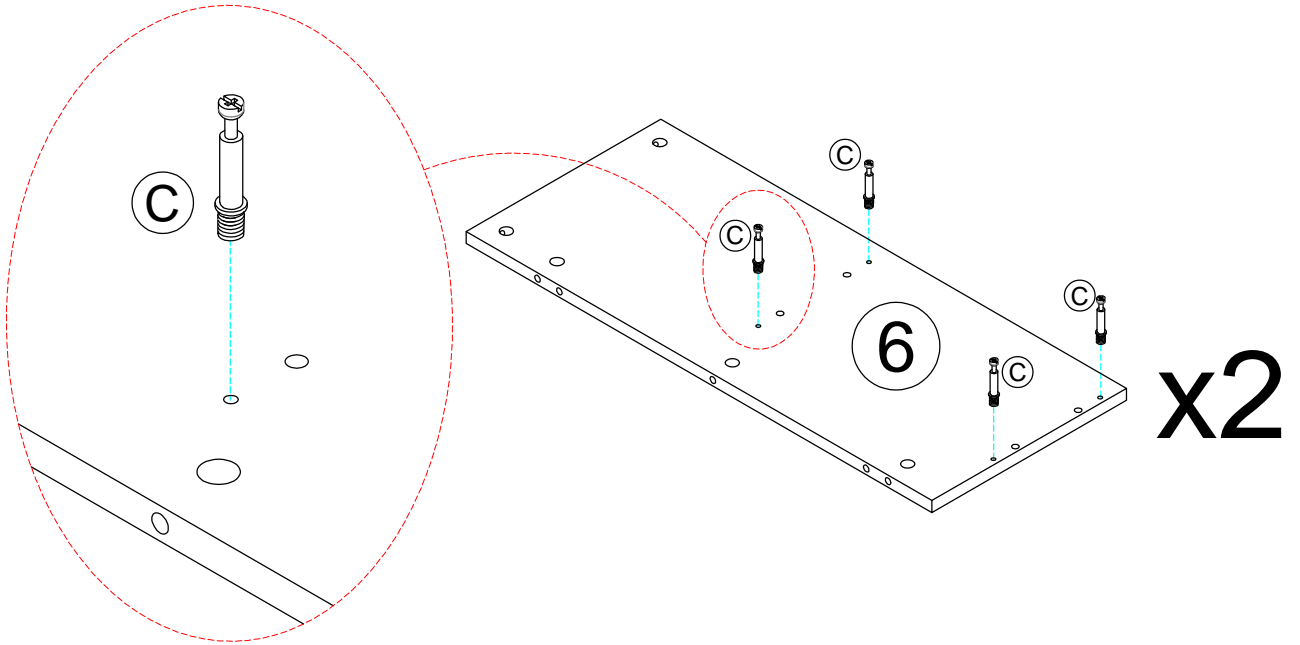
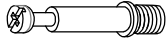
1	Large left panel	X2	5	Movable door panel	X2
2	Small panel	X1	6	Fix the door panel	X2
3	Floor	X1	7	Laminate	X1
4	Side plate	X2			

Please check that you have all the parts listed below

<p>Ⓐ x 28+2pcs</p>  <p>Ø7.8*30mm</p>	<p>Ⓑ x 30+2pcs</p>  <p>Ø15*12mm</p>	<p>Ⓒ x 30+2pcs</p>  <p>Ø6*35mm</p>	<p>Ⓓ x 56+4pcs</p>  <p>Ø7*Ø3.5*14mm</p>
<p>Ⓔ x 4pcs</p>  <p>38*66mm</p>	<p>Ⓕ x 4pcs</p>  <p>38*200mm</p>	<p>Ⓖ x 4pcs</p>  <p>2"</p>	<p>Ⓗ x 2pcs</p>  <p>2"</p>
<p>Ⓙ x 24+2pcs</p>  <p>Ø8*Ø4*14mm</p>	<p>Ⓚ x 2pcs</p>  <p>Ø22*6, M6*10</p>	<p>Ⓛ x 2pcs</p>  <p>36x55x15mm</p>	<p>Ⓜ x 8+1pcs</p>  <p>Ø7*Ø3*14mm</p>
<p>Ⓝ x 4+1pcs</p>  <p>Ø10*6.5, Ø6*8.5mm</p>	<p>Ⓟ x 2pcs</p>  <p>Ø10*20</p>	<p>Ⓠ x 2pcs</p> 	<p>Ⓡ x 1pc</p> 
<p>Ⓢ x 1pc</p> 			

1

Ⓒ x 8pcs

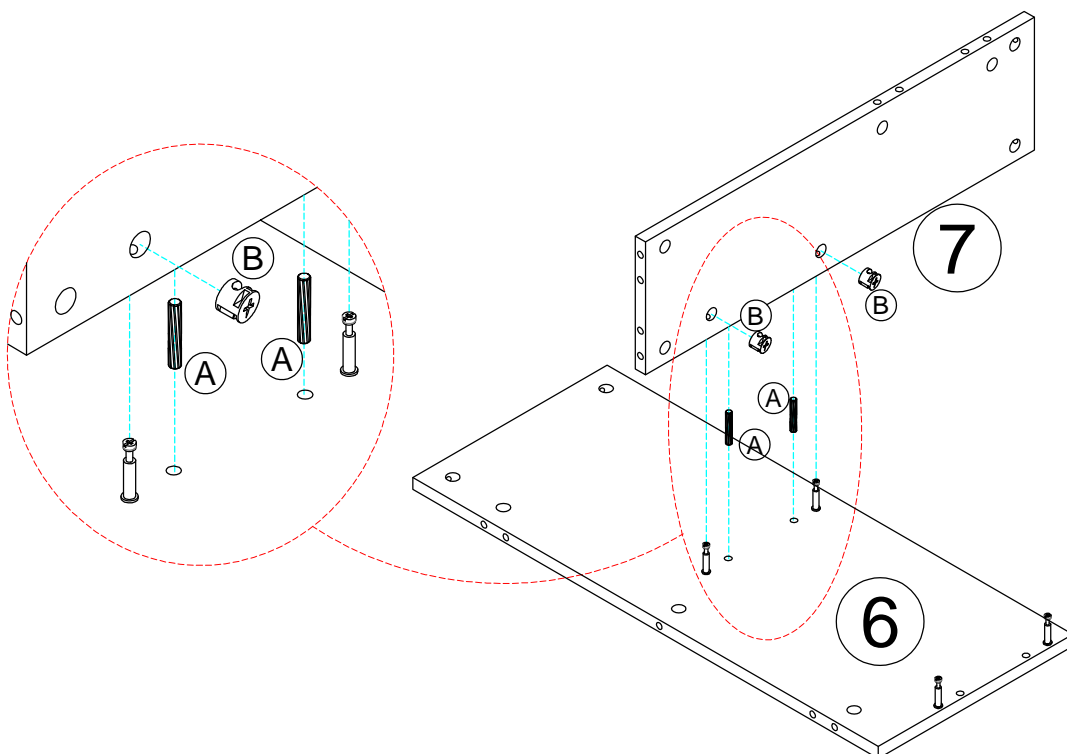
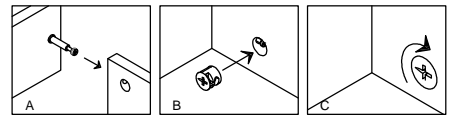


2

Ⓐ x 2pcs



Ⓑ x 2pcs

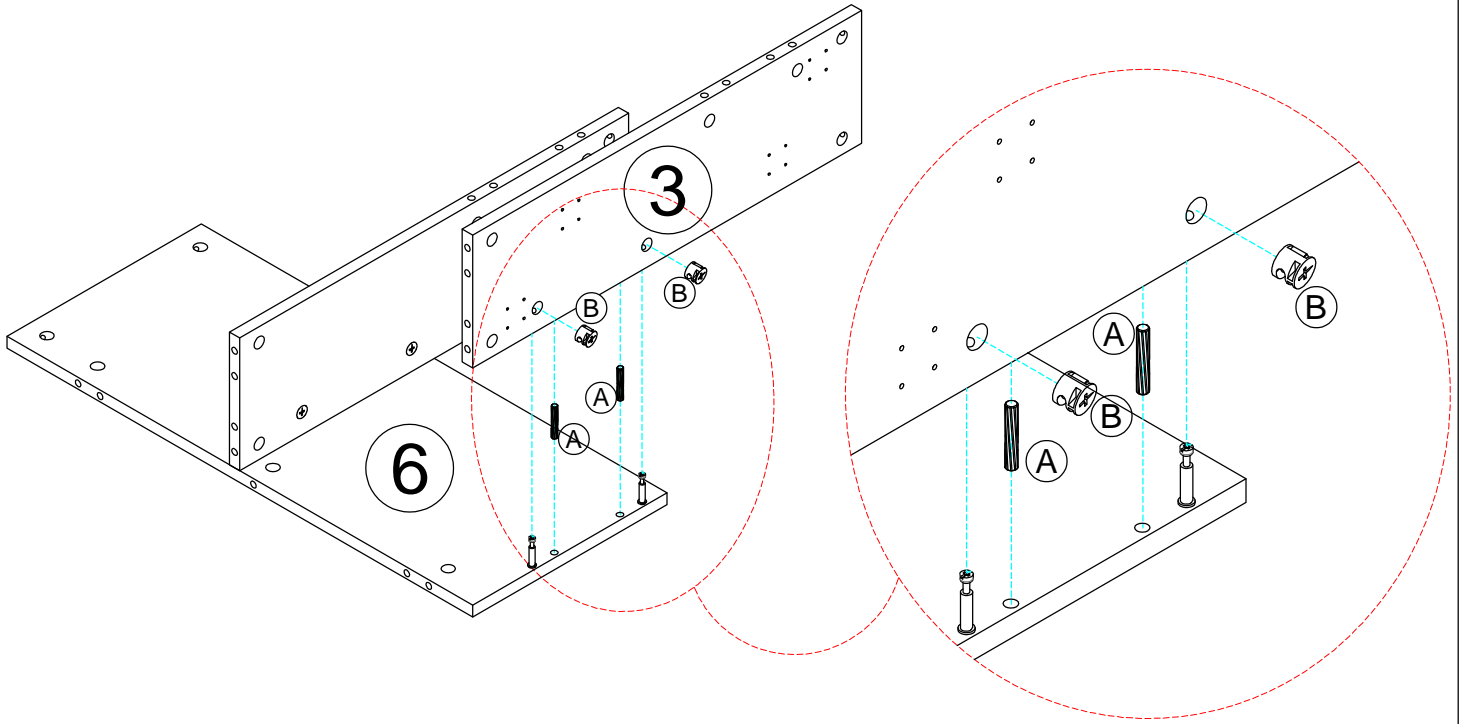
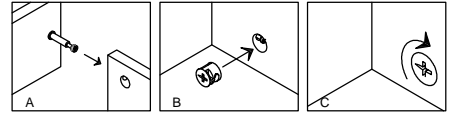


3

(A) x 2pcs



(B) x 2pcs

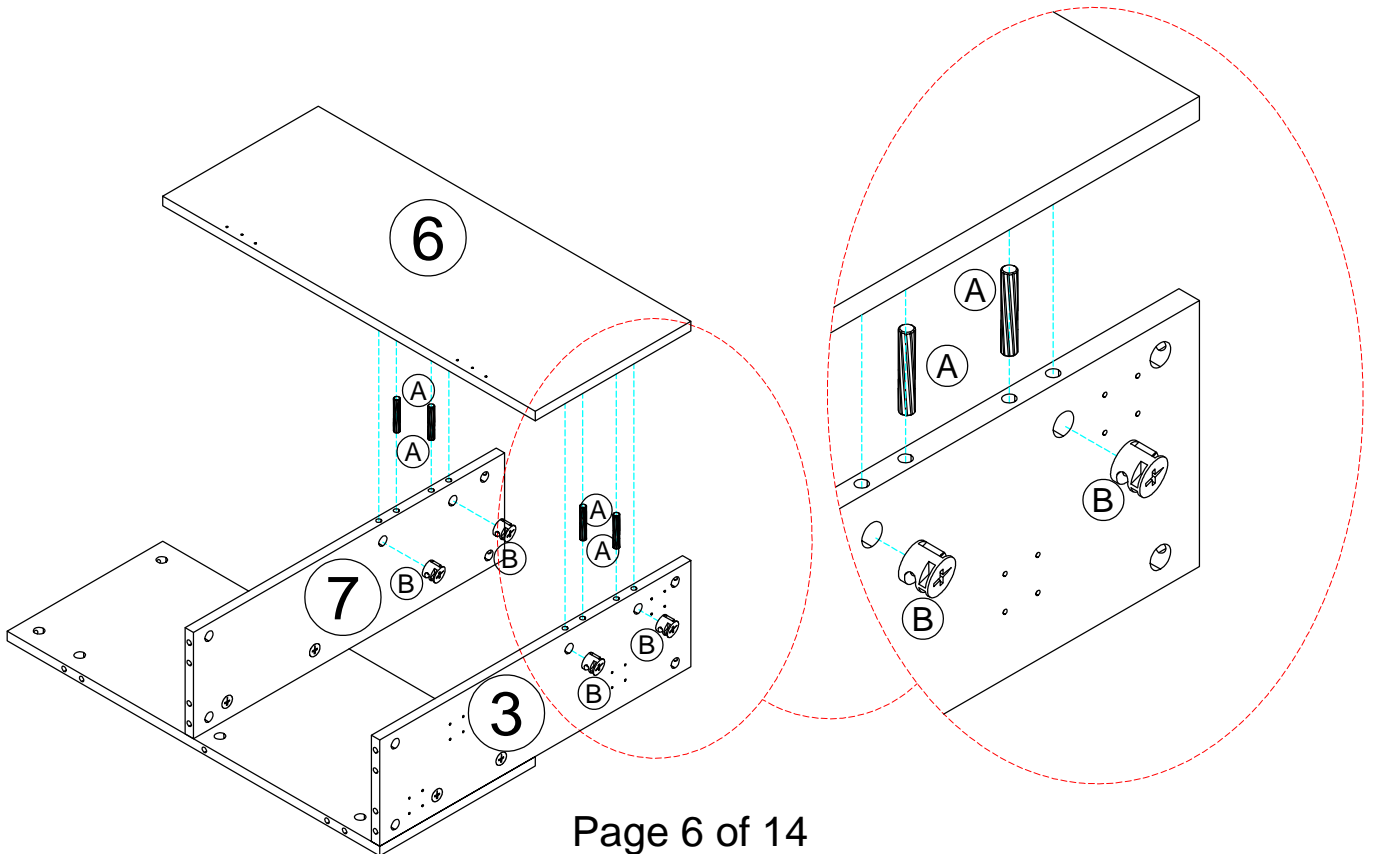
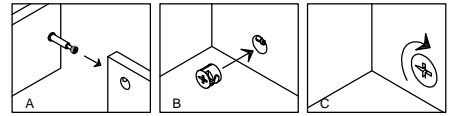


4

(A) x 4pcs

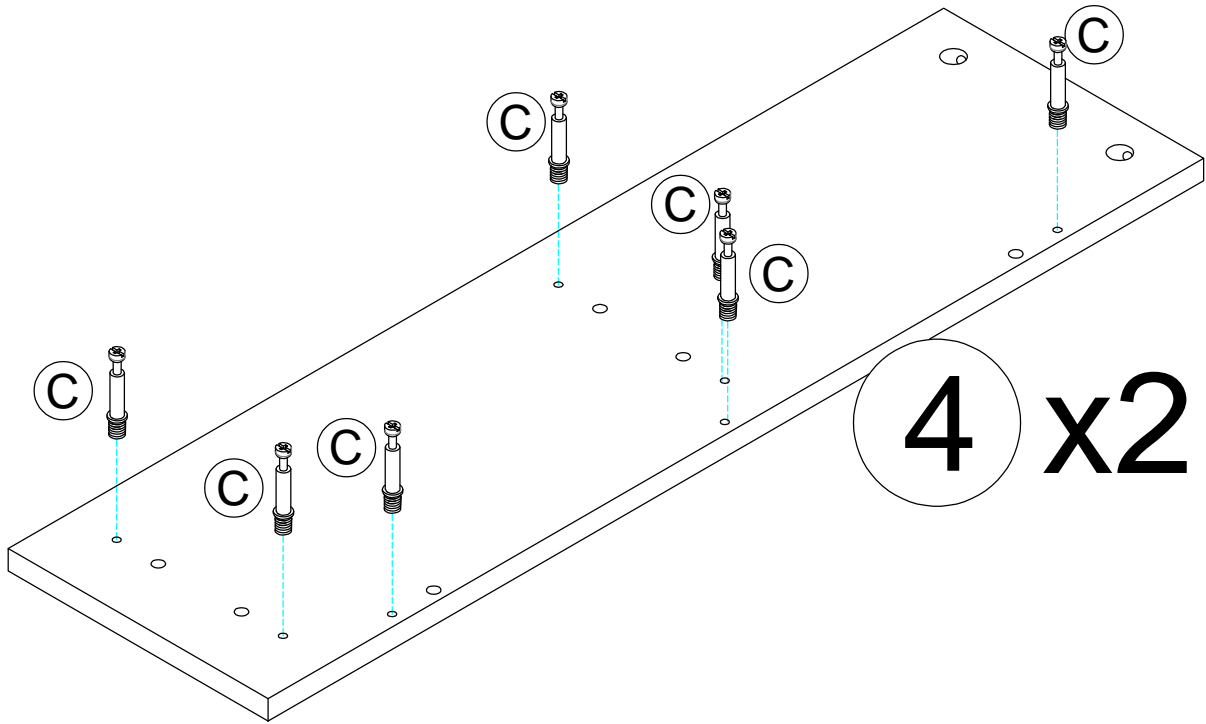
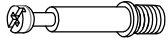


(B) x 4pcs



5

Ⓒ x 14pcs

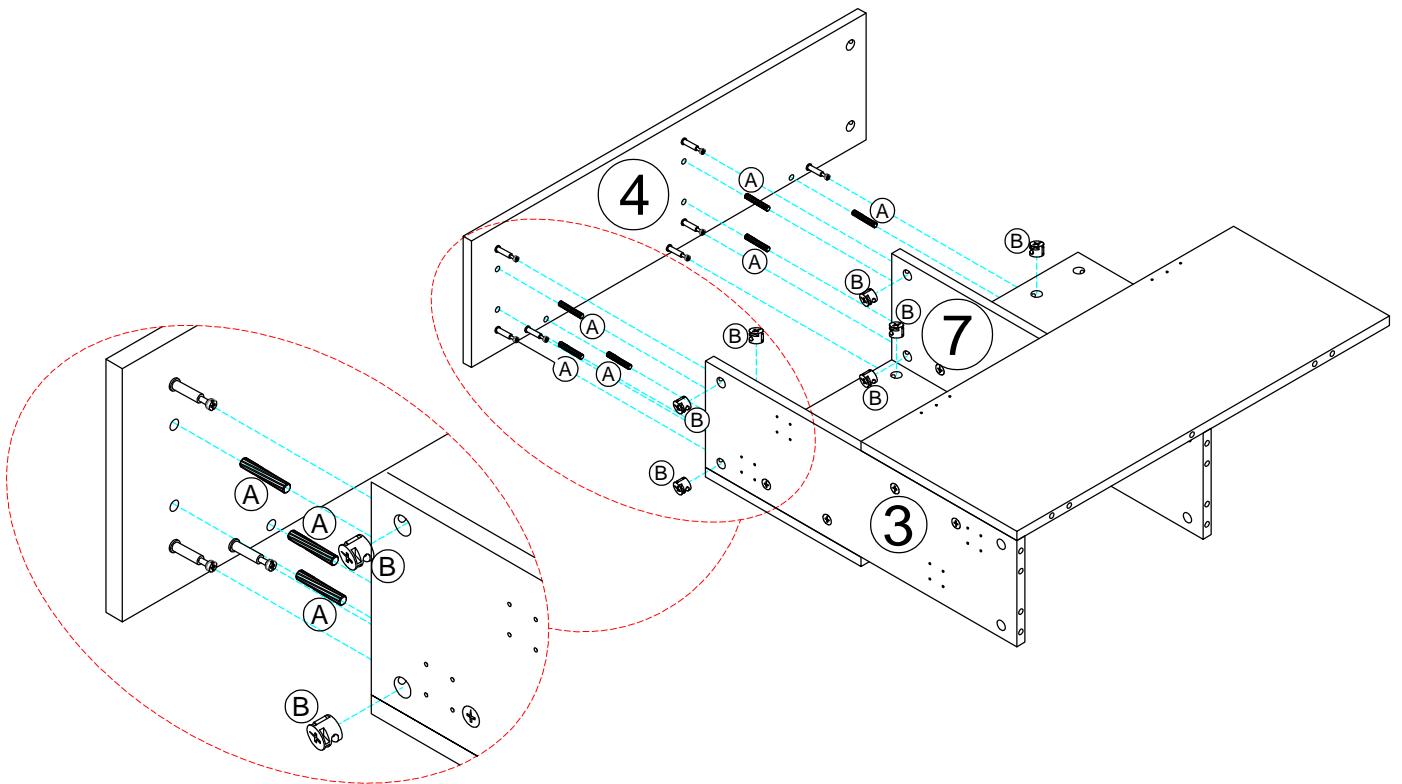
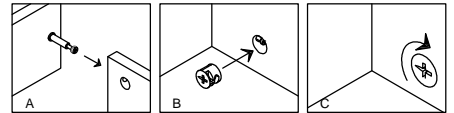


6

Ⓐ x 6pcs



Ⓑ x 7pcs

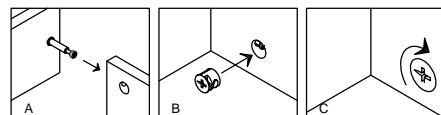


7

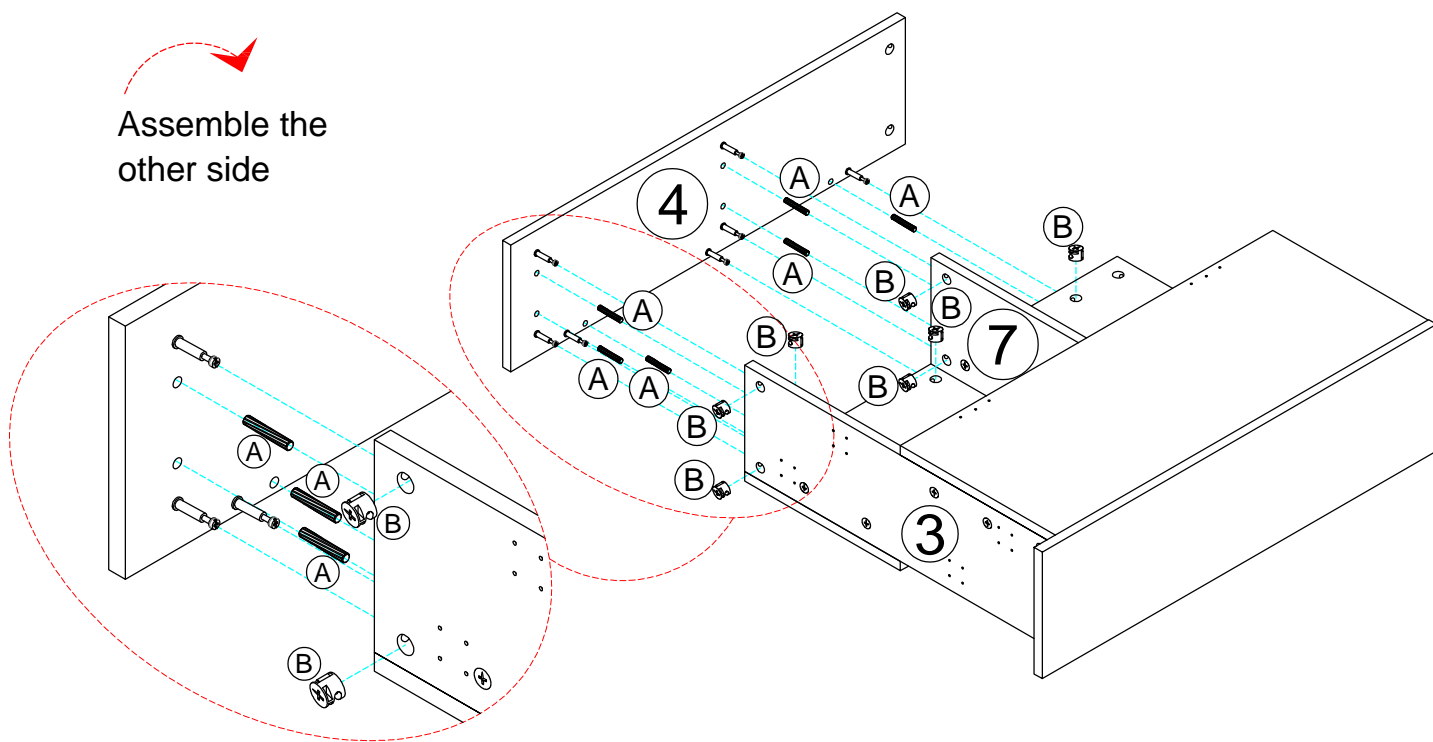
(A) x 6pcs



(B) x 7pcs

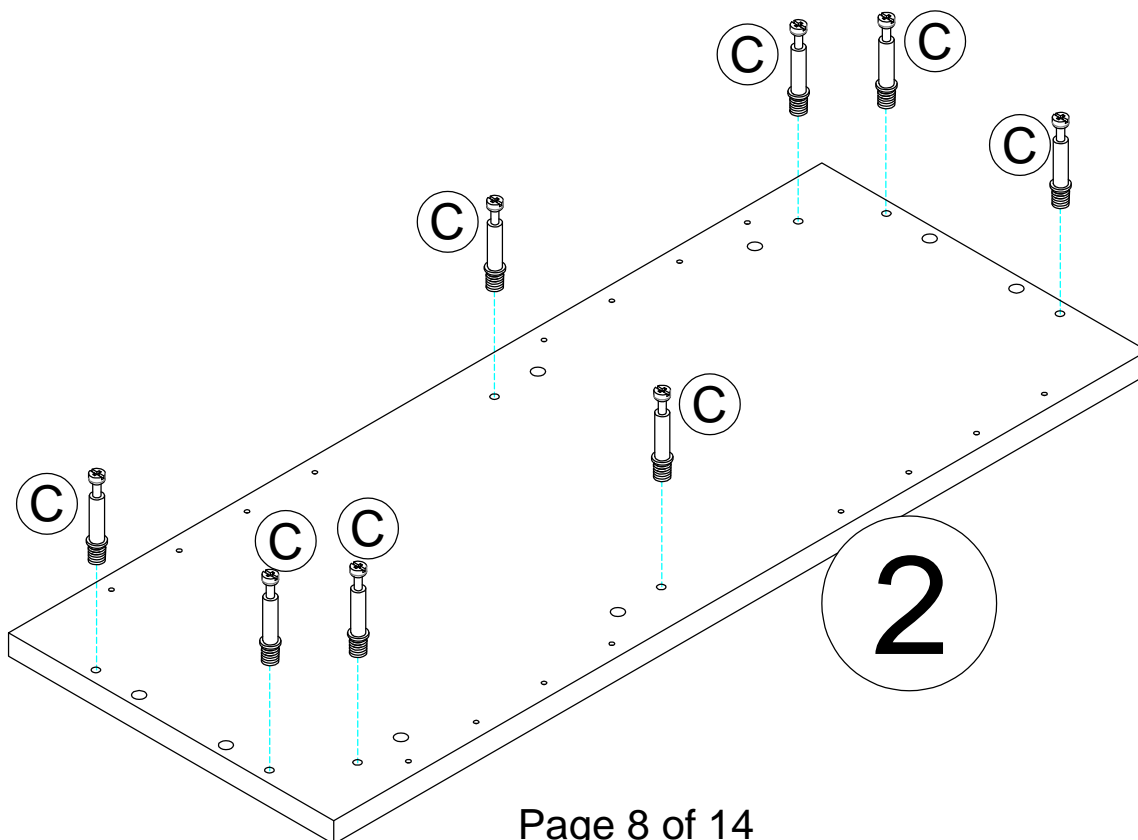
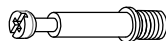


Assemble the other side



8

(C) x 8pcs

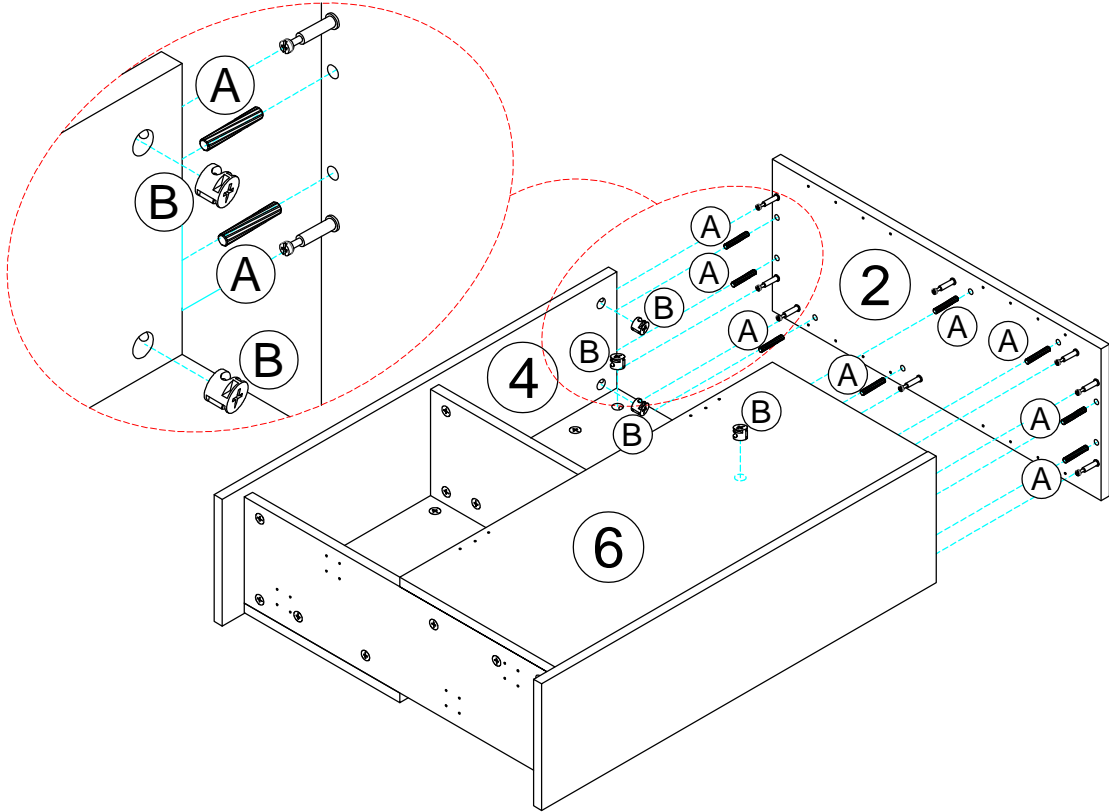
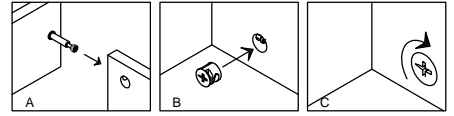


9

(A) x 8pcs

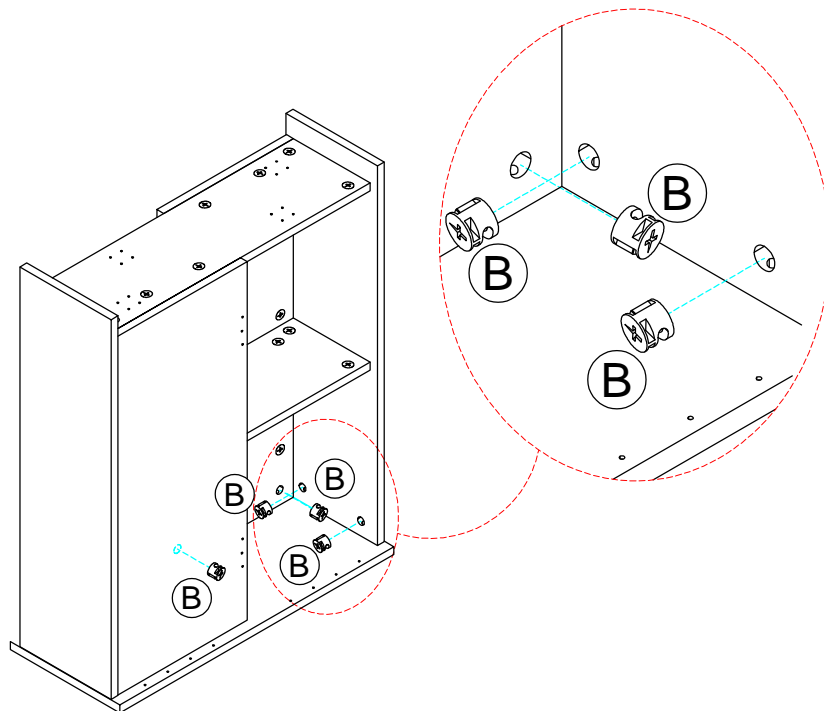
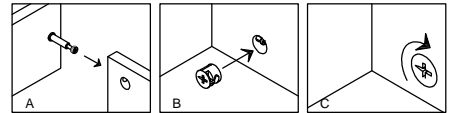


(B) x 4pcs



10

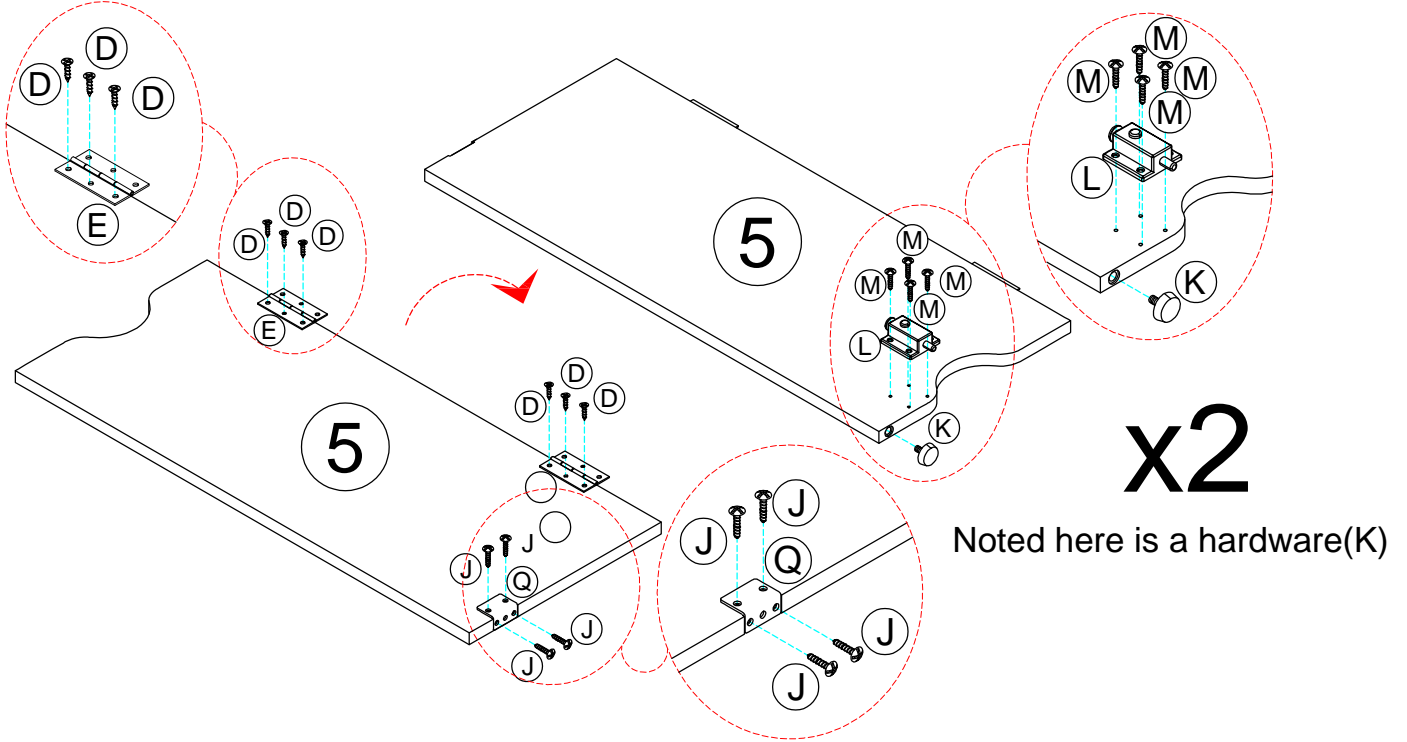
(B) x 4pcs




11

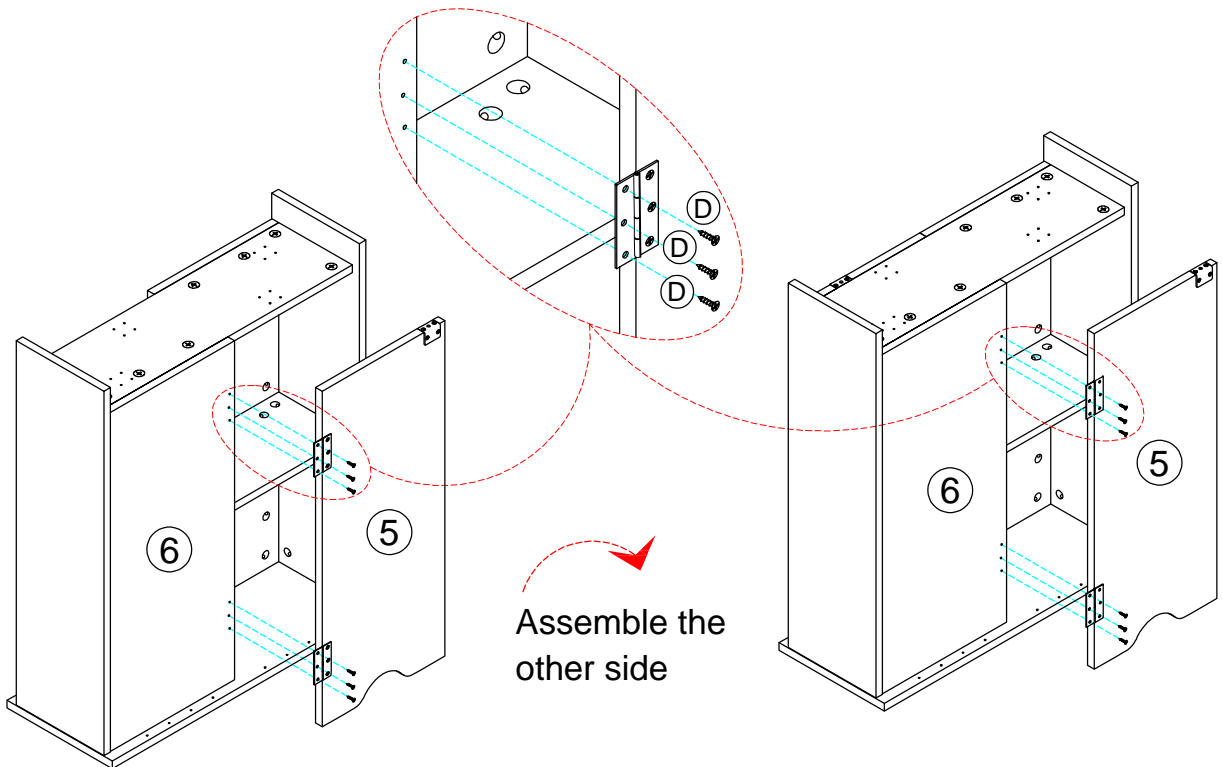
- ⓔ x 4pcs 
- ⓓ x 12pcs 
- Ⓛ x 2pcs 
- Ⓜ x 8pcs  Ø7\*Ø3\*14mm
- Ⓚ x 2pcs 
- Ⓠ x 2pcs 
- Ⓜ x 8pcs  Ø8\*Ø4\*14mm

Please turn the No.5 board over



12

- ⓓ x 12pcs 

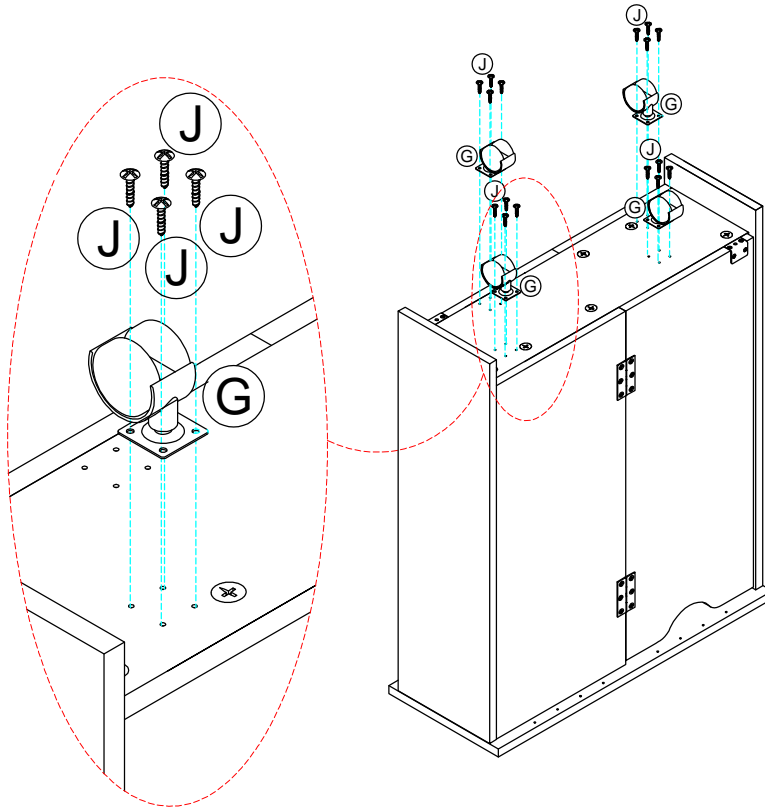


13

ⓐ x 16pcs



ⓐ x 4pcs

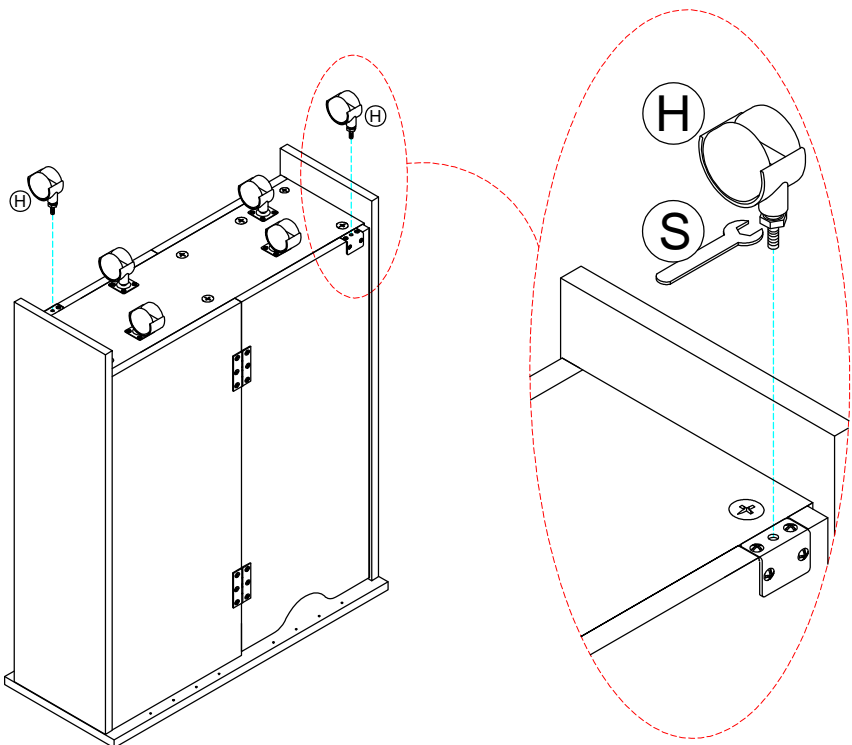
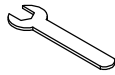


14

ⓓ x 2pcs



ⓔ x 1pc



15

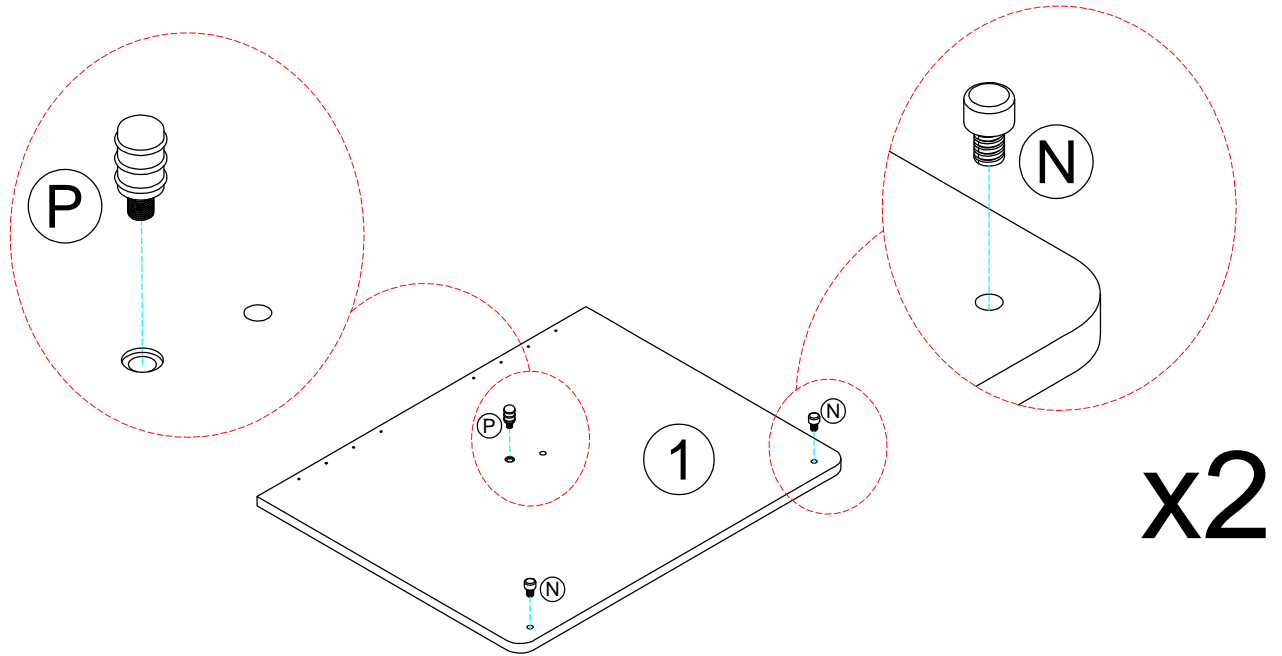
(P) x 2pcs



(N) x 4pcs



The hardware (N) will protect your product

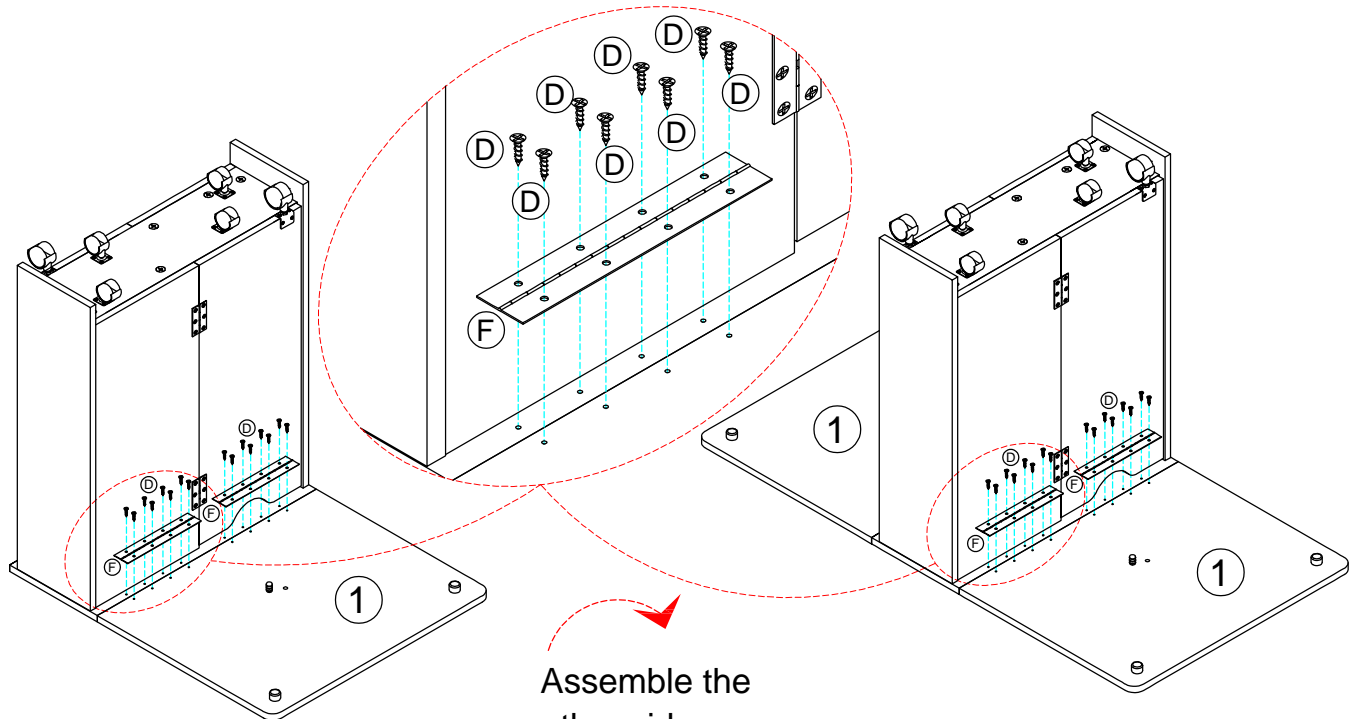
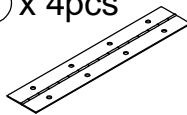


16

(D) x 32pcs

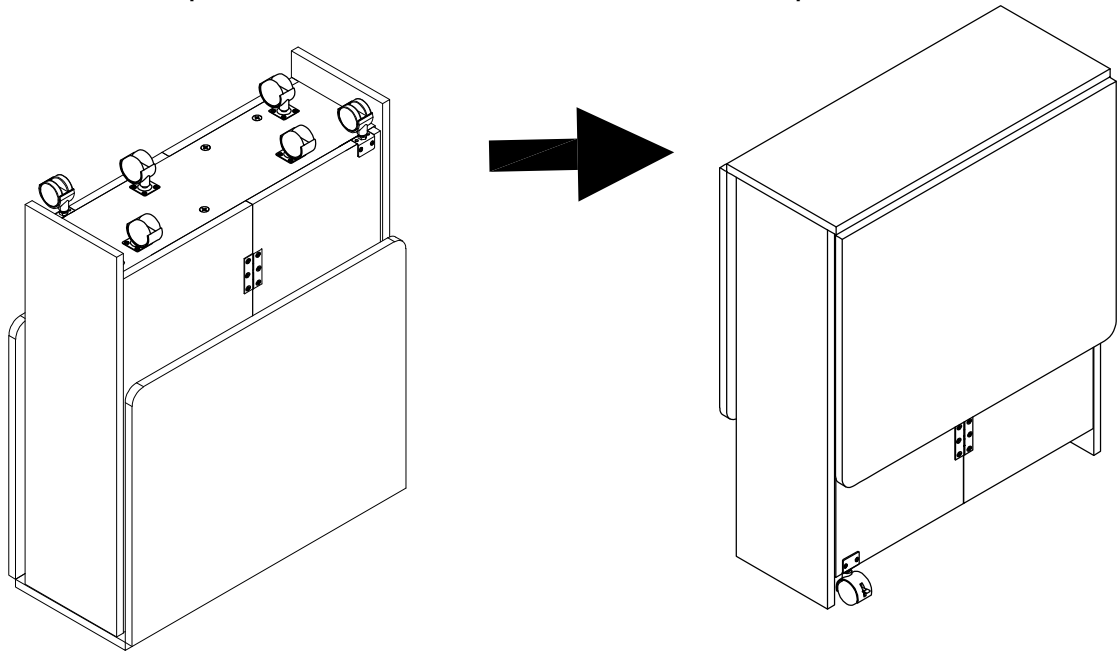


(F) x 4pcs

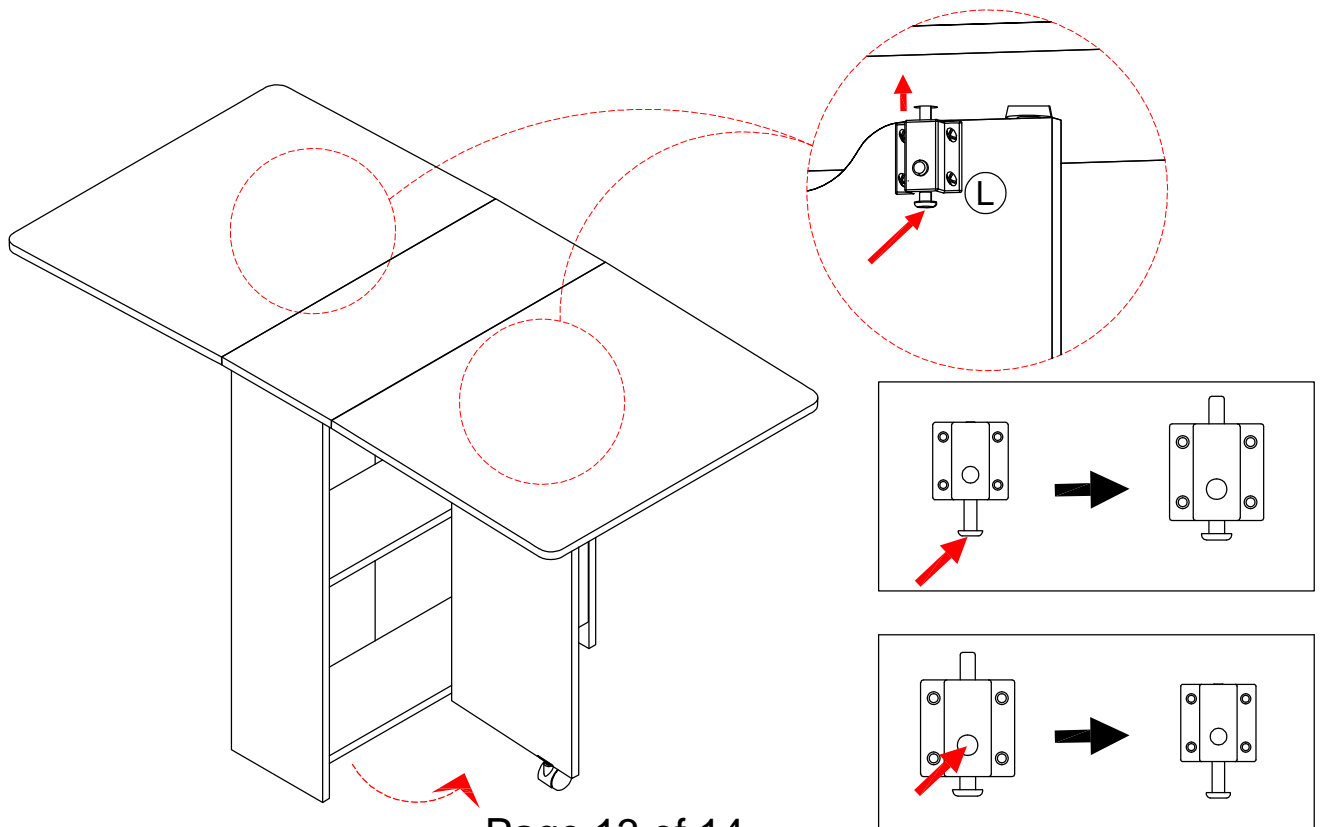


# 17

Warning: Please fold both two panels well, and keep the product was folded, then set the table up.

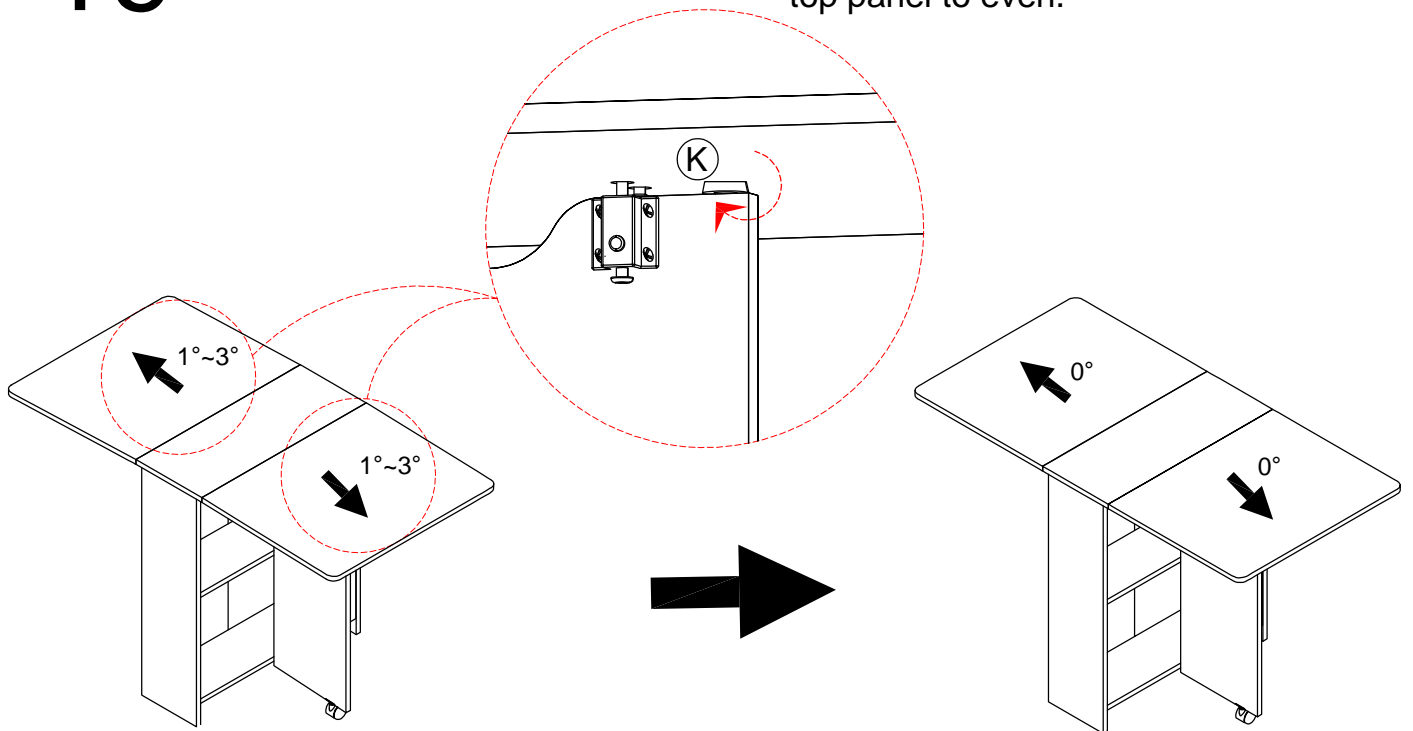


# 18



# 19

Note: turn the plastic glide (K) to adjust the top panel to even.



# 20

