

Get started!

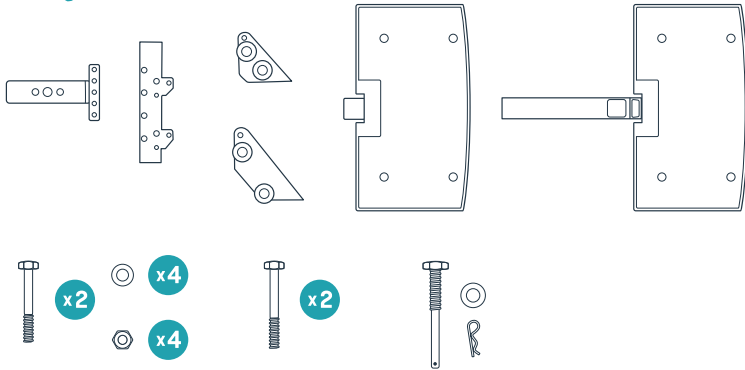


DOG HITCH STEP

Let's give your buddy a leg up
on adventure.



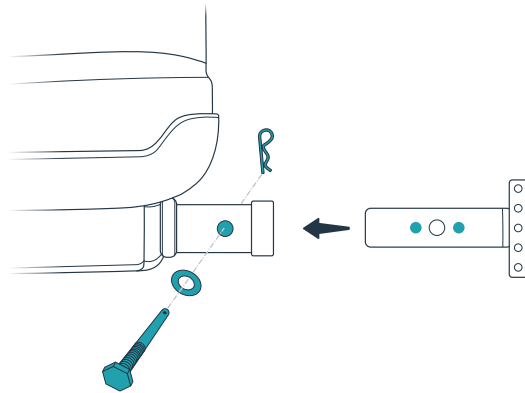
What you have



What you need

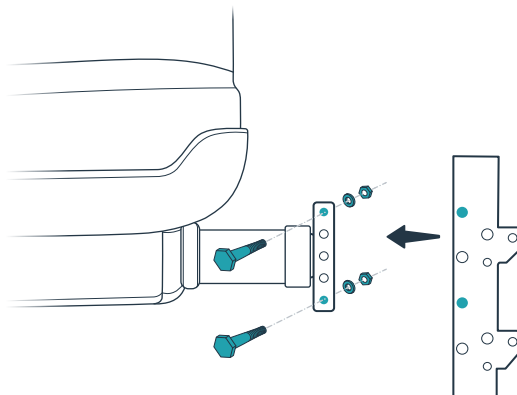


1



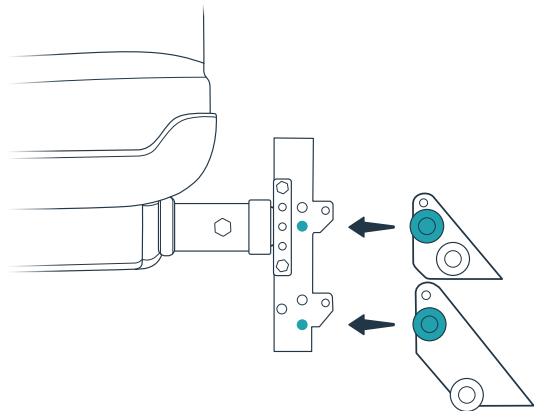
Slide the hitch insert into your vehicle's hitch receiver. Line up the first or third hole in the insert (depending on the length of your receiver) with the hole in your receiver. Insert the long bolt into the threaded hole and secure it with the large washer and retaining clip.

2



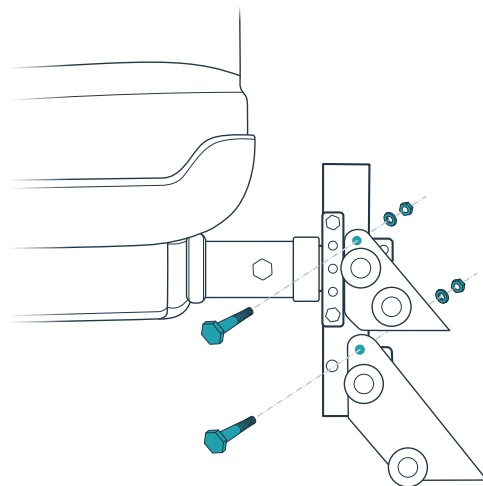
Line up the top hole on the hitch insert with the top hole in the vertical mount. Use two medium bolts, two small washers and two nuts to secure the insert to the mount.

3



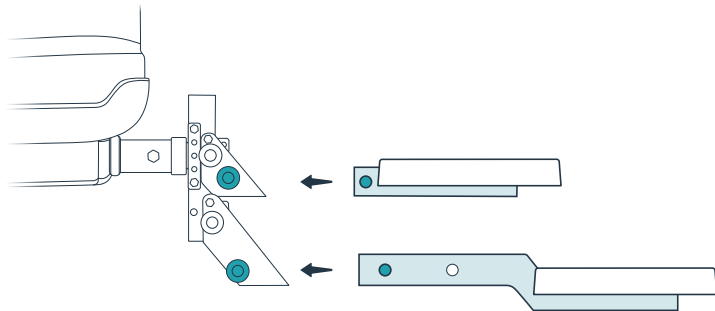
Slide each step bracket over the vertical mount. Pull and release the black cap on each bracket to lock the spring pin into place.

4



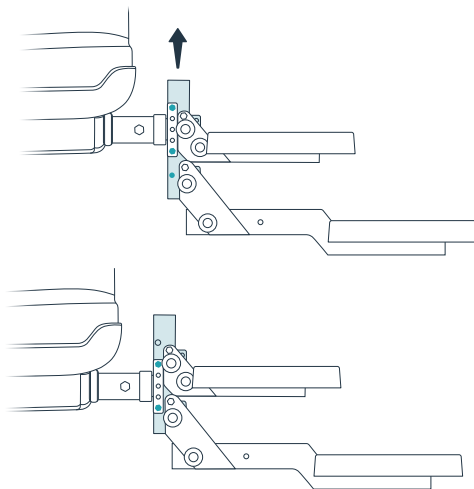
Use a short bolt, a small washer and a nut to secure each step bracket to the vertical mount. The brackets should be able to swivel up and down on the mount.

5



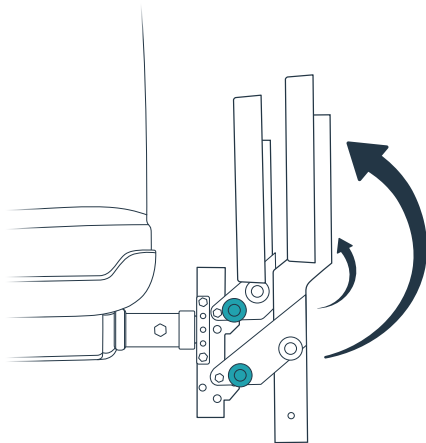
Insert each step into its bracket. Pull and release the red cap on each bracket to lock the spring pin into place. The lower step has two holes; for now, use the hole nearest the end.

6



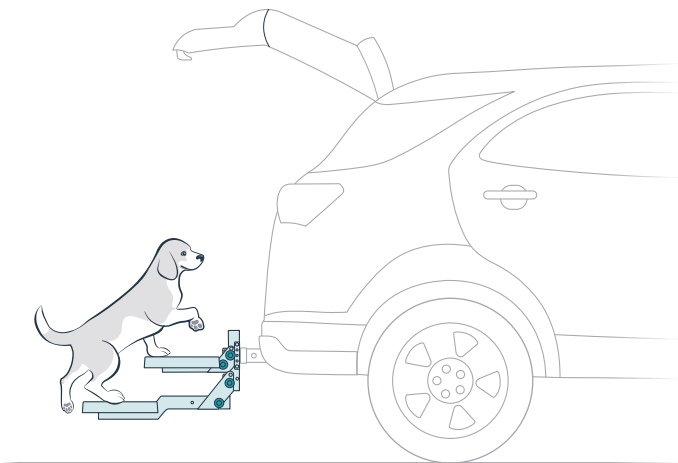
Check the position of the steps. If they're too low, you can move the vertical mount up so the lowest hole is lined up with the lowest hole in the hitch insert.

7



Stow the hitch step before driving. On the lower step, pull the red cap and slide the step in so the spring pin locks into the second hole. To fold each step, pull the black cap, fold the step up and release the cap to lock the spring pin into the upper hole.

8



Offer treats to gently encourage your dog to practice stepping up and down.

With a little patience and lots of praise, your dog will soon be happy using the hitch step on his own!