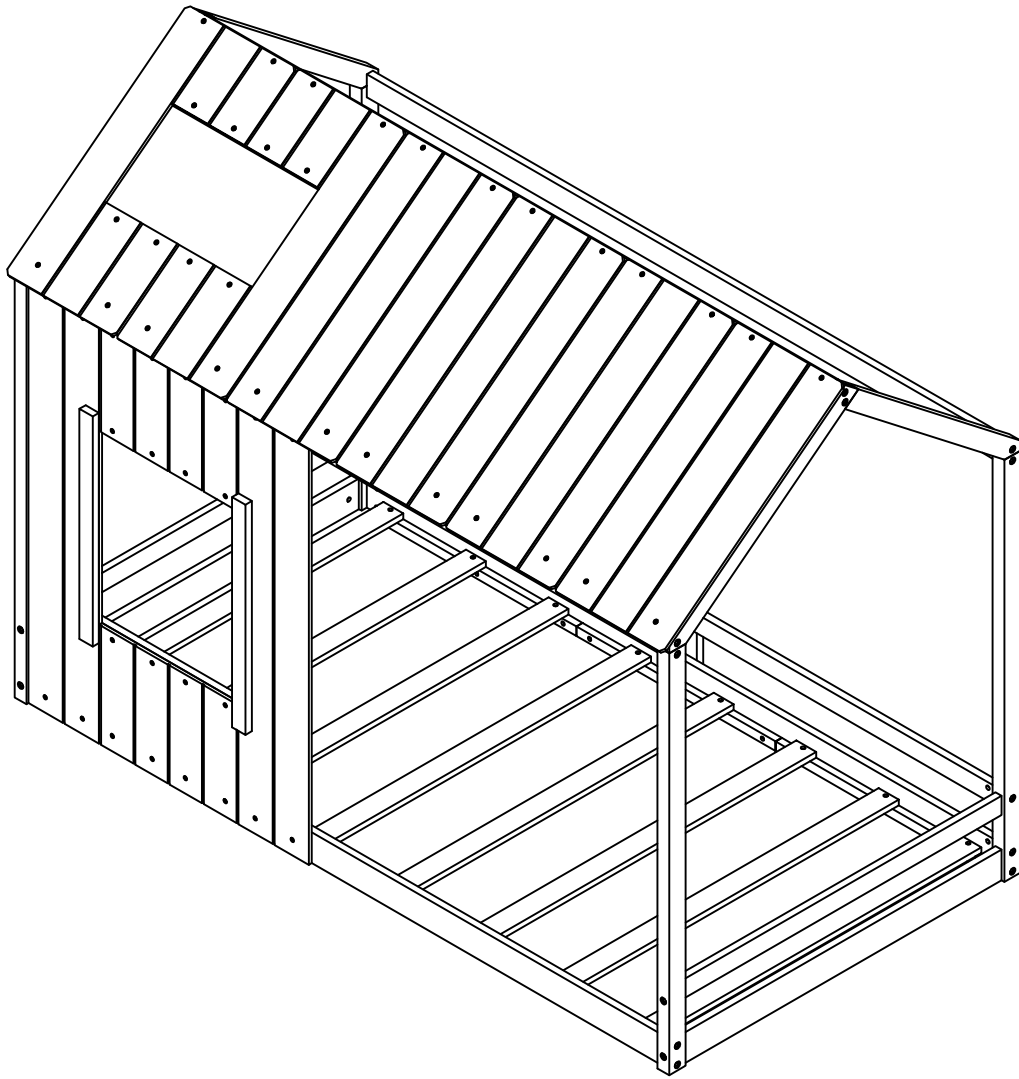
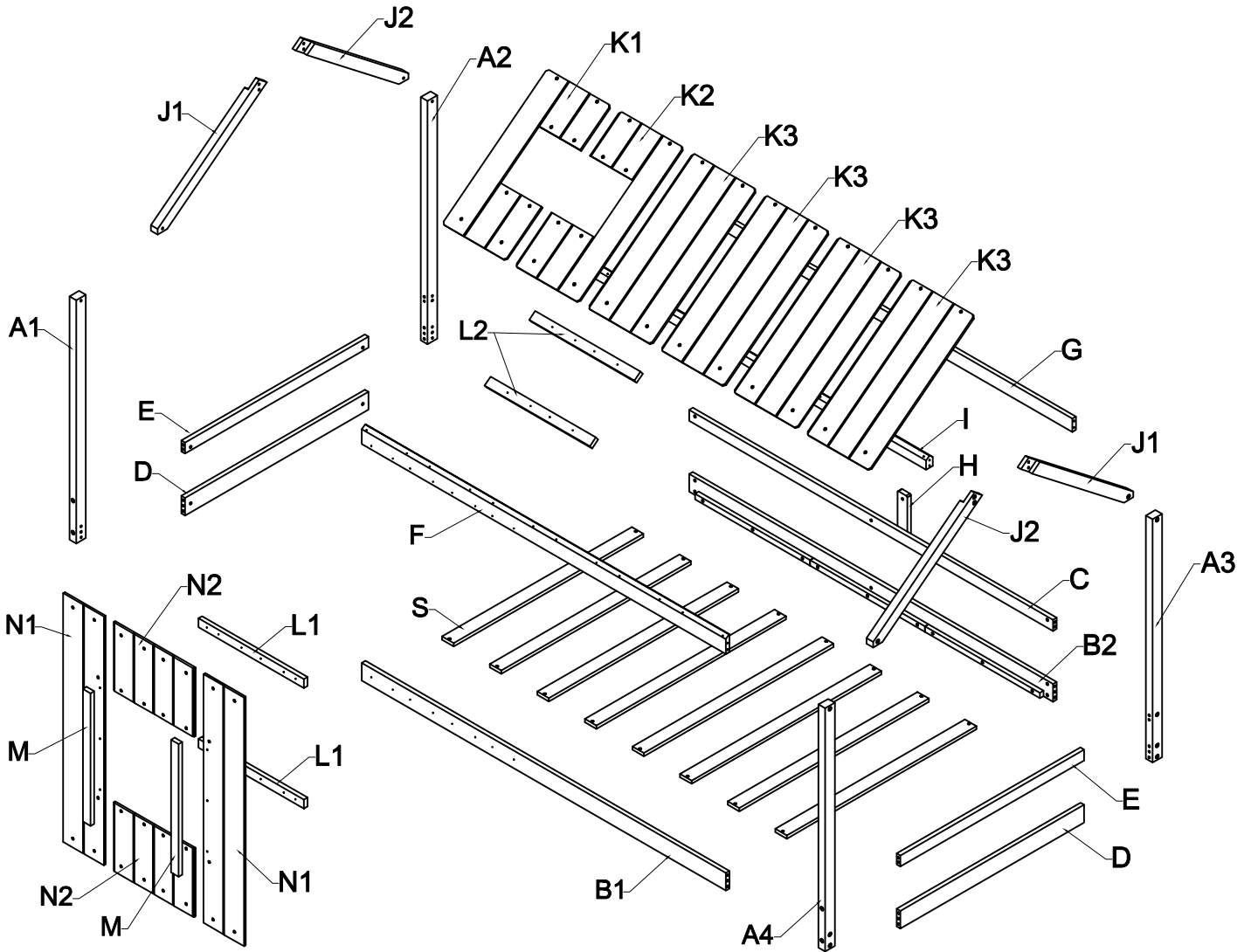




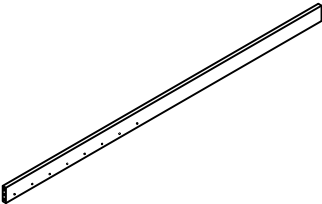
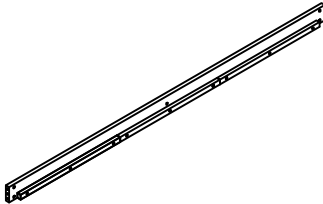
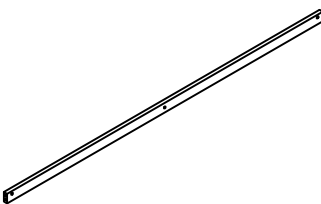
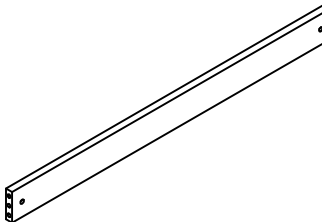
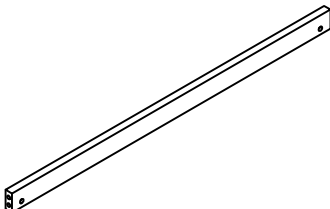
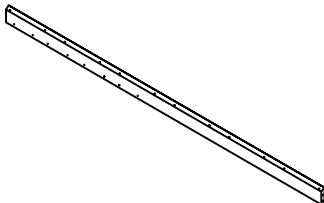
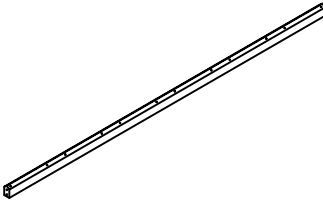
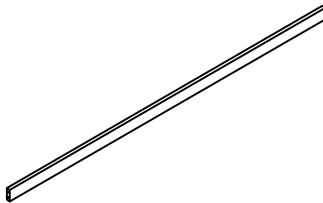

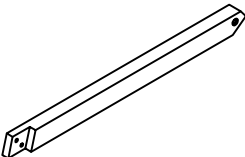
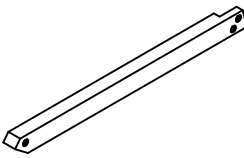
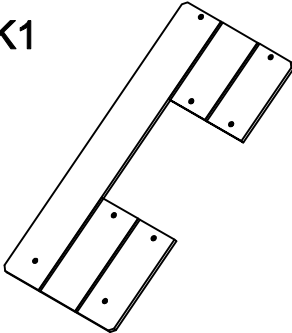


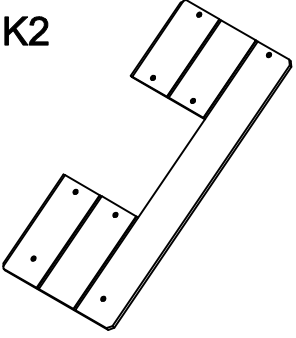
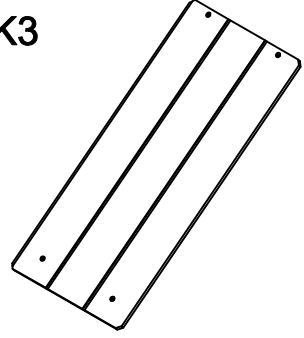
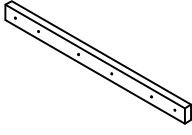
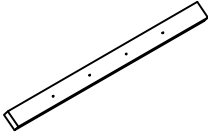


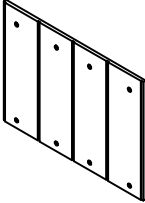
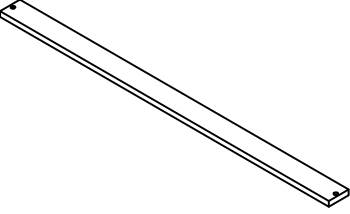
ASSEMBLY INSTRUCTIONS



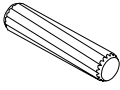
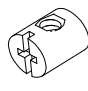
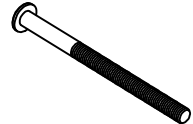
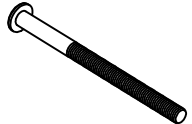
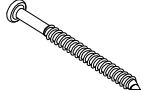


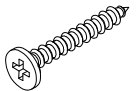
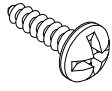
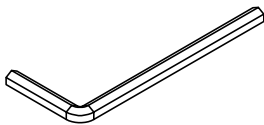
DETAIL VIEW

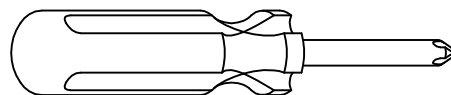


<p>A1</p>  <p>Front Leg - Left (1pc)</p>	<p>A2</p>  <p>Back Leg - Left (1pc)</p>	<p>A3</p>  <p>Back Leg - Right (1pc)</p>	<p>A4</p>  <p>Front Leg - Right (1pc)</p>
<p>B1</p>  <p>Side Rails - (1pc)</p>	<p>B2</p>  <p>Side Rails - (1pc)</p>	<p>C</p>  <p>Side Rails Guards - (1pc)</p>	<p>D</p>  <p>Side Rails Guards - (2pcs)</p>
<p>E</p>  <p>Side Rails Guards - (2pc)</p>	<p>F</p>  <p>Side Rails Guards - (1pc)</p>	<p>I</p>  <p>Mid Under Frame - (1pc)</p>	<p>G</p>  <p>Side Rails Guards-(1pc)</p>
<p>H</p>  <p>Side Rail - (1pcs)</p>	<p>J1</p>  <p>Roof Frame - (2pcs)</p>	<p>J2</p>  <p>Roof Frame - (2pc)</p>	<p>K1</p>  <p>Roof - (1pcs)</p>

<p>K2</p>  <p>Roof - (1pcs)</p>	<p>K3</p>  <p>Roof - (4pcs)</p>	<p>L1</p>  <p>Support Bar - (2pcs)</p>	<p>L2</p>  <p>Support Bar- (2pcs)</p>
<p>M</p>  <p>Support Bar - (2pcs)</p>	<p>N1</p>  <p>Window - (2pcs)</p>	<p>N2</p>  <p>Window - (2pcs)</p>	<p>S</p>  <p>Slats - (8pcs)</p>

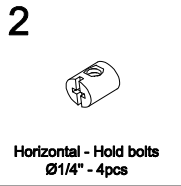
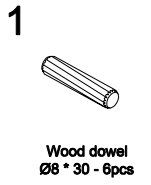
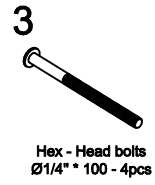
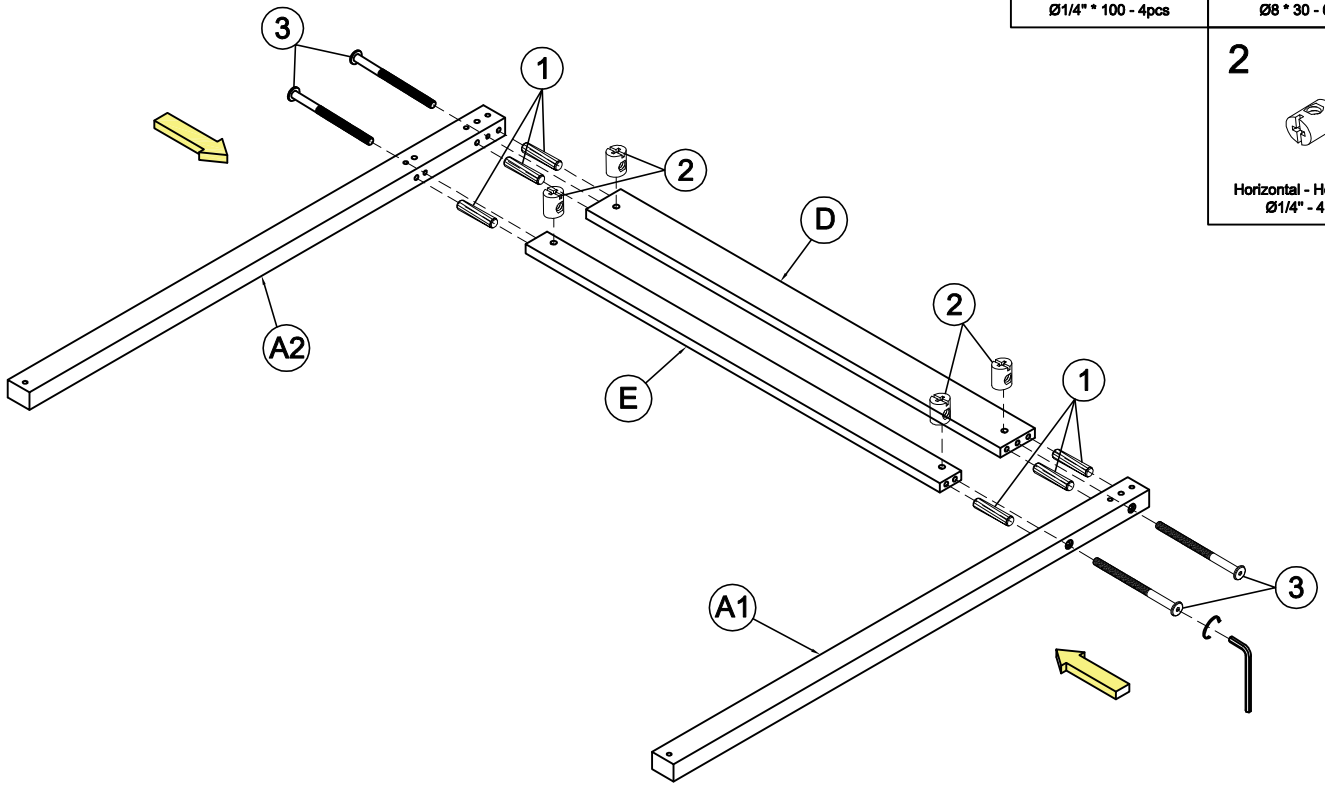
HARDWARE LIST:

<p>1</p>  <p>Wood dowel Ø8 * 30 - 18pcs</p>	<p>2</p>  <p>Horizontal - Hold bolts Ø1/4" - 18pcs</p>	<p>3</p>  <p>Hex - Head bolts Ø1/4" * 100 - 8pcs</p>	<p>4</p>  <p>Hex - Head bolts Ø1/4" * 80 - 10pcs</p>
<p>5</p>  <p>Hexagonal bolts catch wood Ø6 * 70 - 12pcs</p>	<p>6</p>  <p>Hex - Head bolts Ø1/4" * 25 - 2pcs</p>	<p>7</p>  <p>Canopy head though Ø1/4" - 2pcs</p>	<p>8</p>  <p>Wood crews M4 * 25 - 16pcs</p>
<p>9</p>  <p>Round Wood crews M3.5 * 20 - 66pcs</p>	<p>10</p>  <p>Allen key K4 - 2pcs</p>		

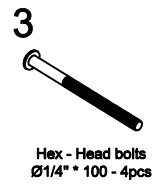
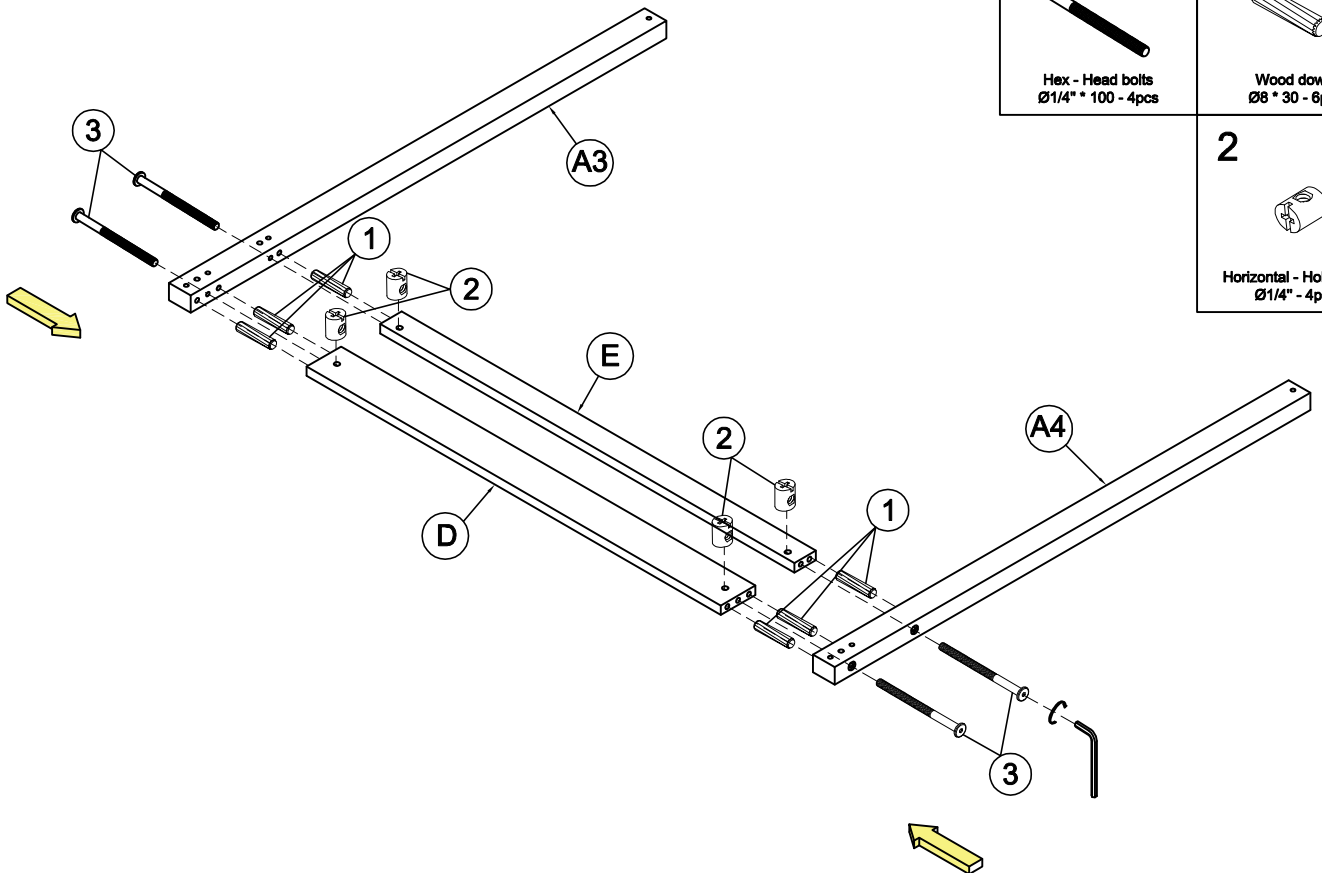


Assembly Tools Required (Not Included)

STEP 1



STEP 2



STEP 3

4



Hex - Head bolts
Ø1/4" * 80 - 10pcs

1



Wood dowel
Ø8 * 30 - 6pcs

5

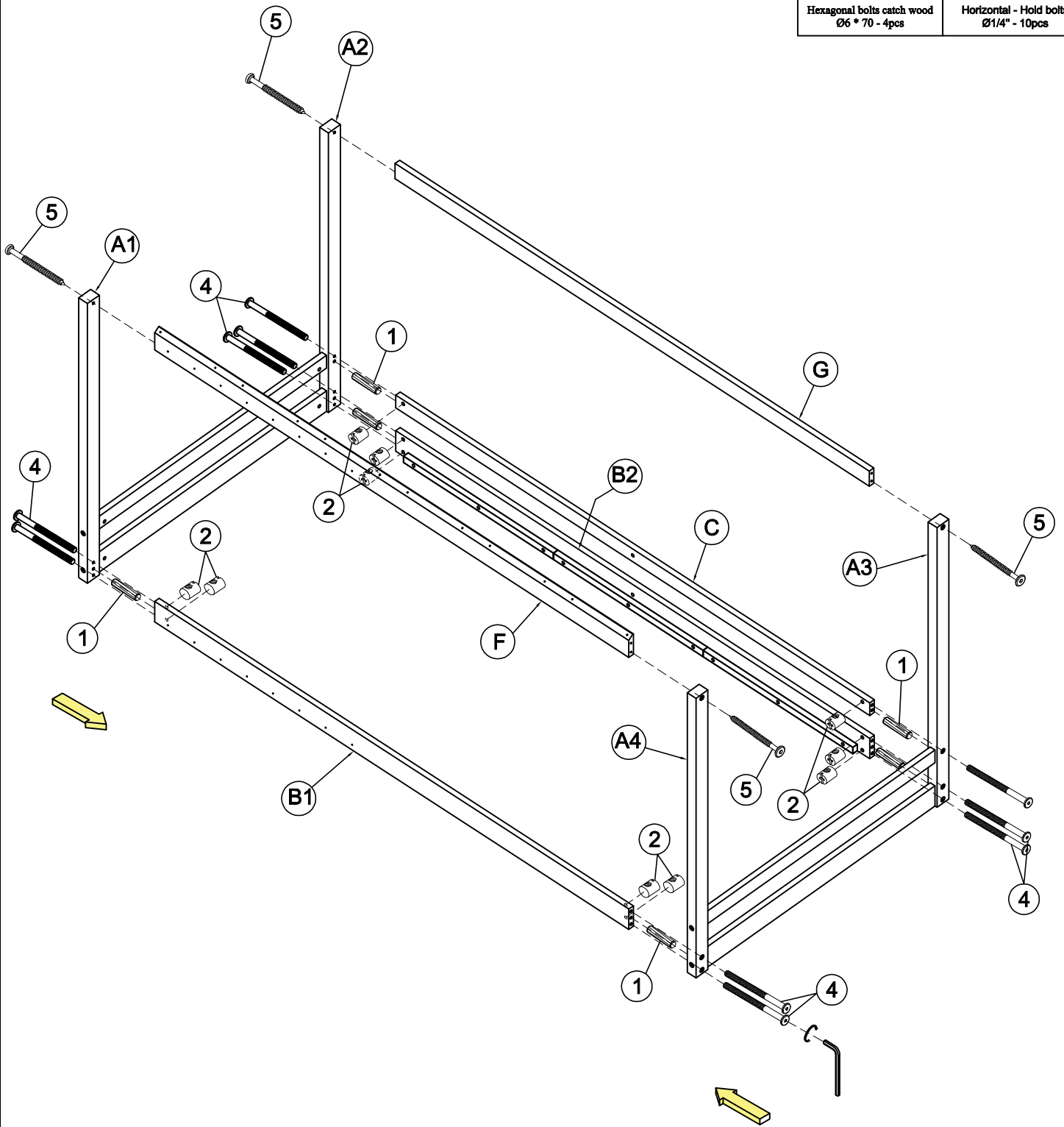


Hexagonal bolts catch wood
Ø6 * 70 - 4pcs

2



Horizontal - Hold bolts
Ø1/4" - 10pcs

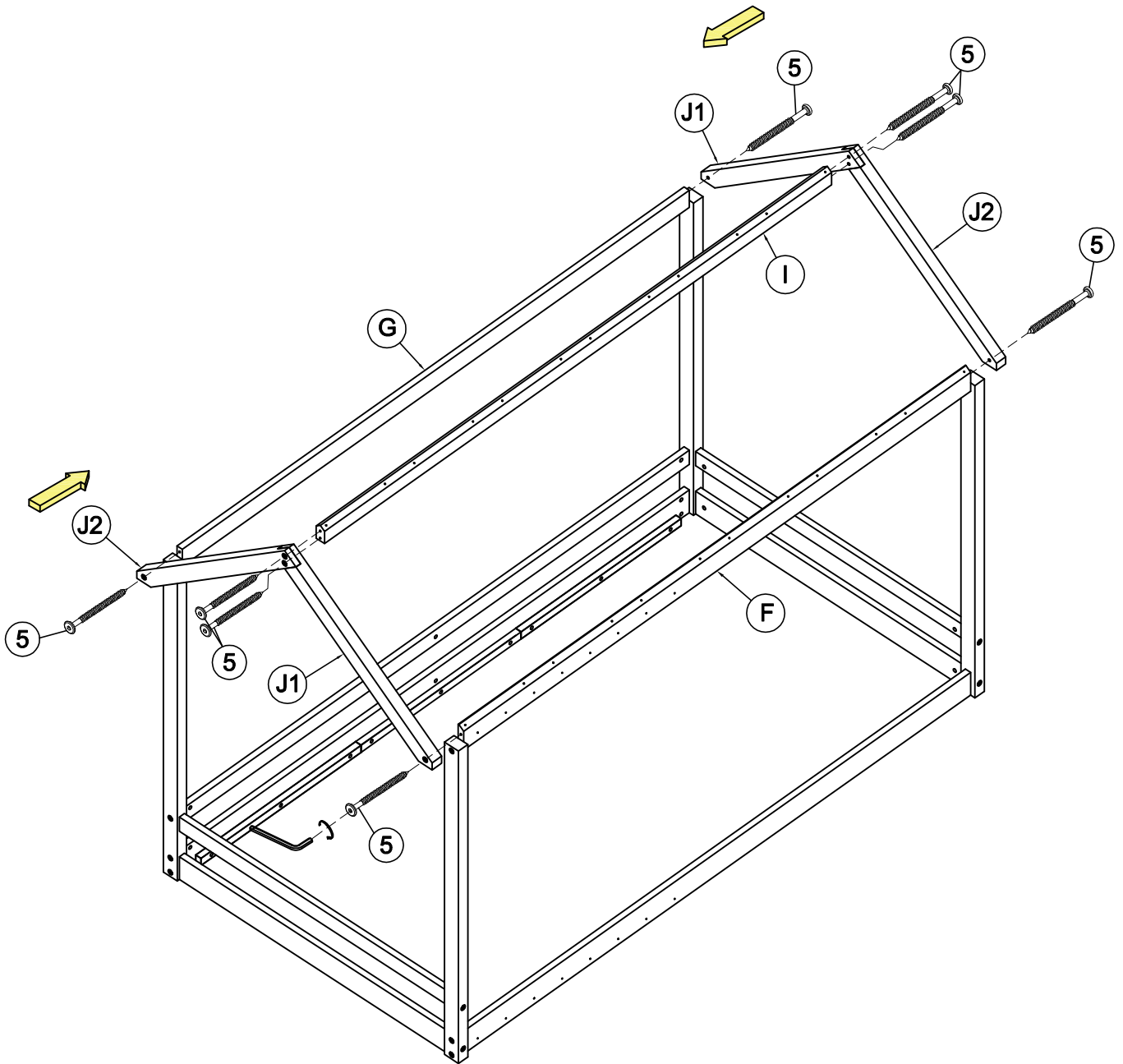


STEP 4

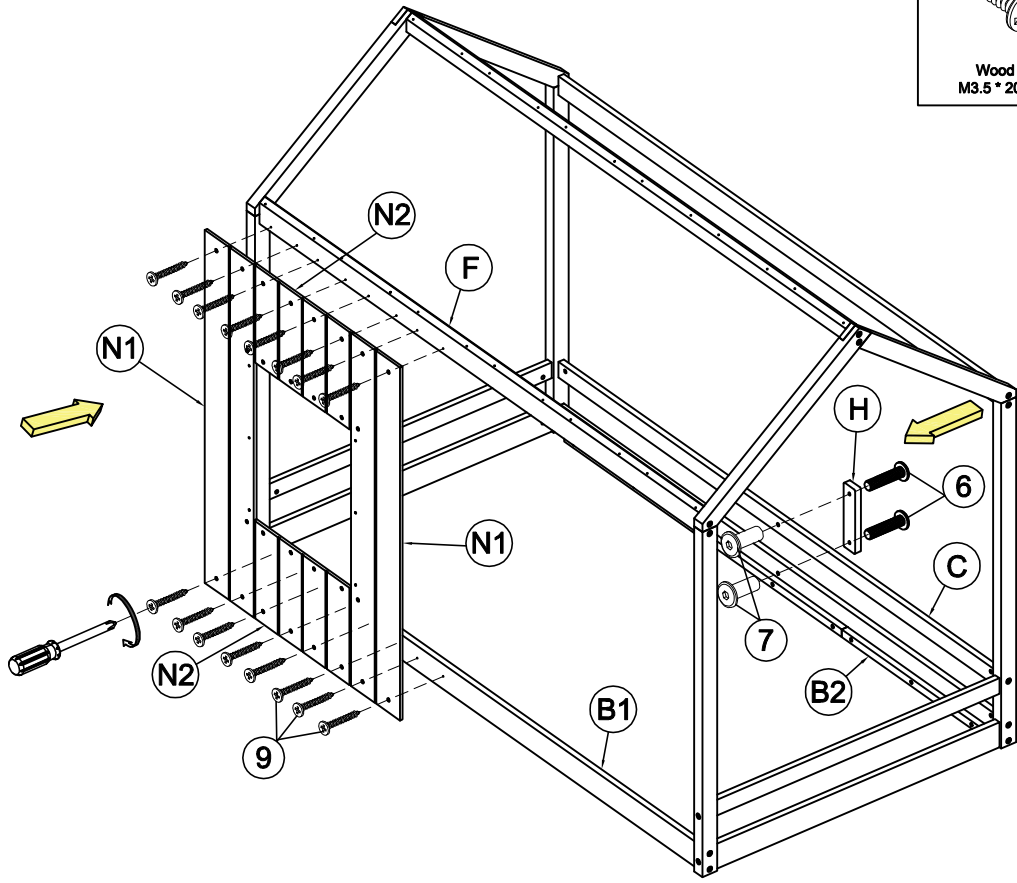
5



Hexagonal bolts catch wood
Ø6 * 70 - 8pcs



STEP 5



9

Wood crews
M3.5 * 20 - 16pcs

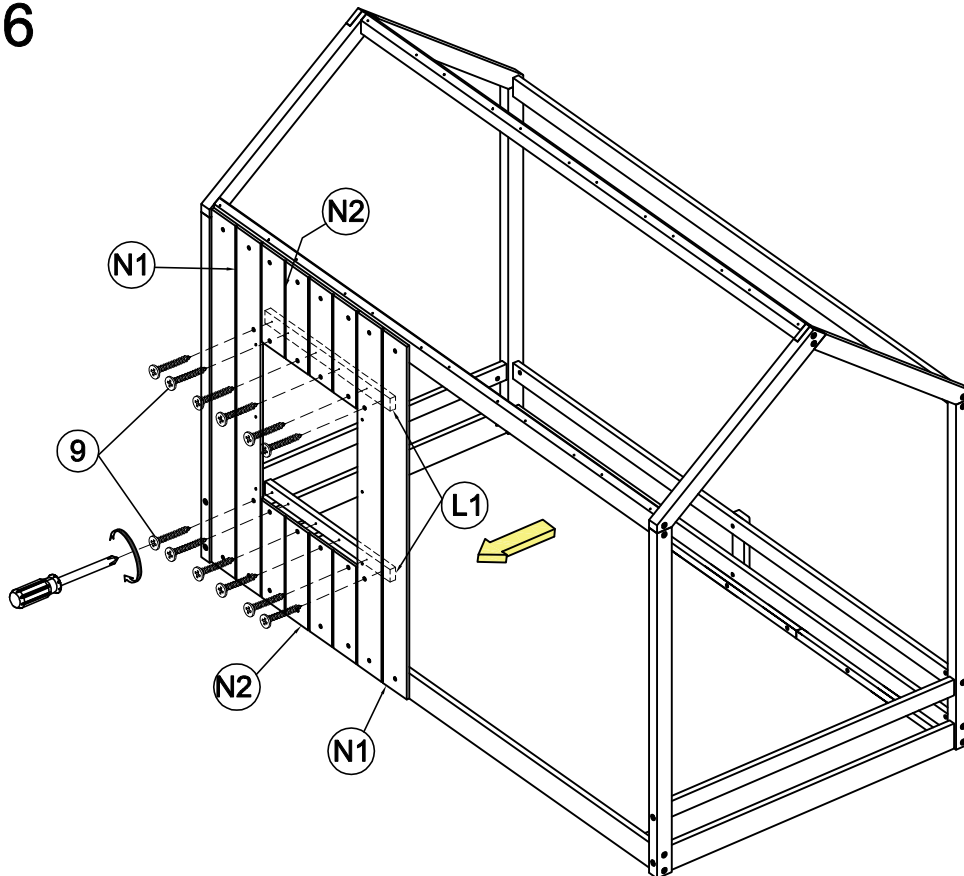
6

Hex - Head bolts
Ø1/4" * 25 - 2pcs

7

Canopy head though
Ø1/4" - 2pcs

STEP 6



9

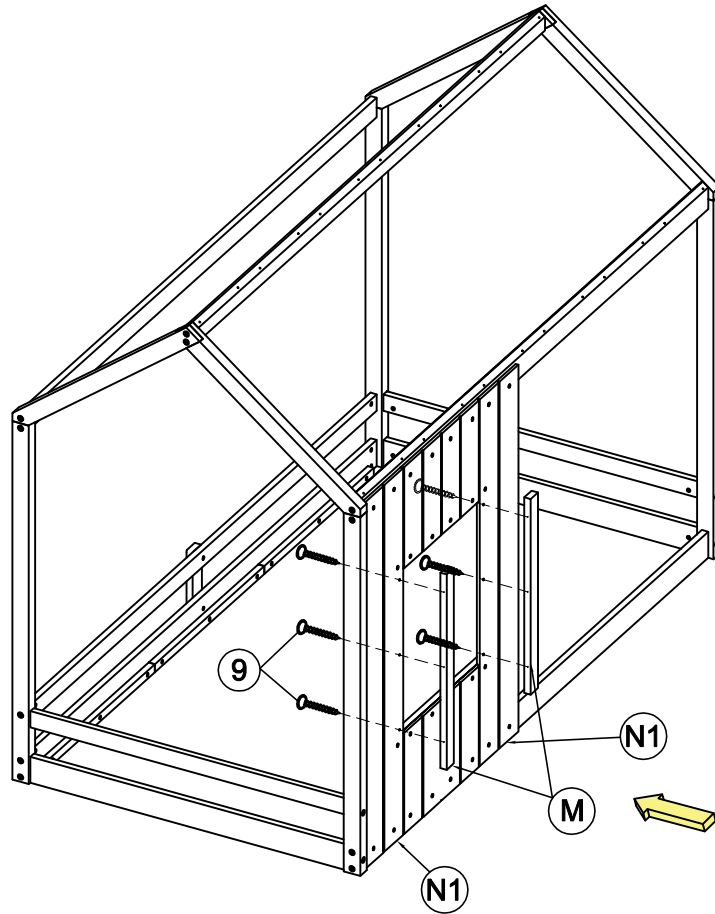
Round Wood crews
M3.5 * 20 - 12pcs

STEP 7

9



Wood crews
M3.5 * 20 - 6pcs

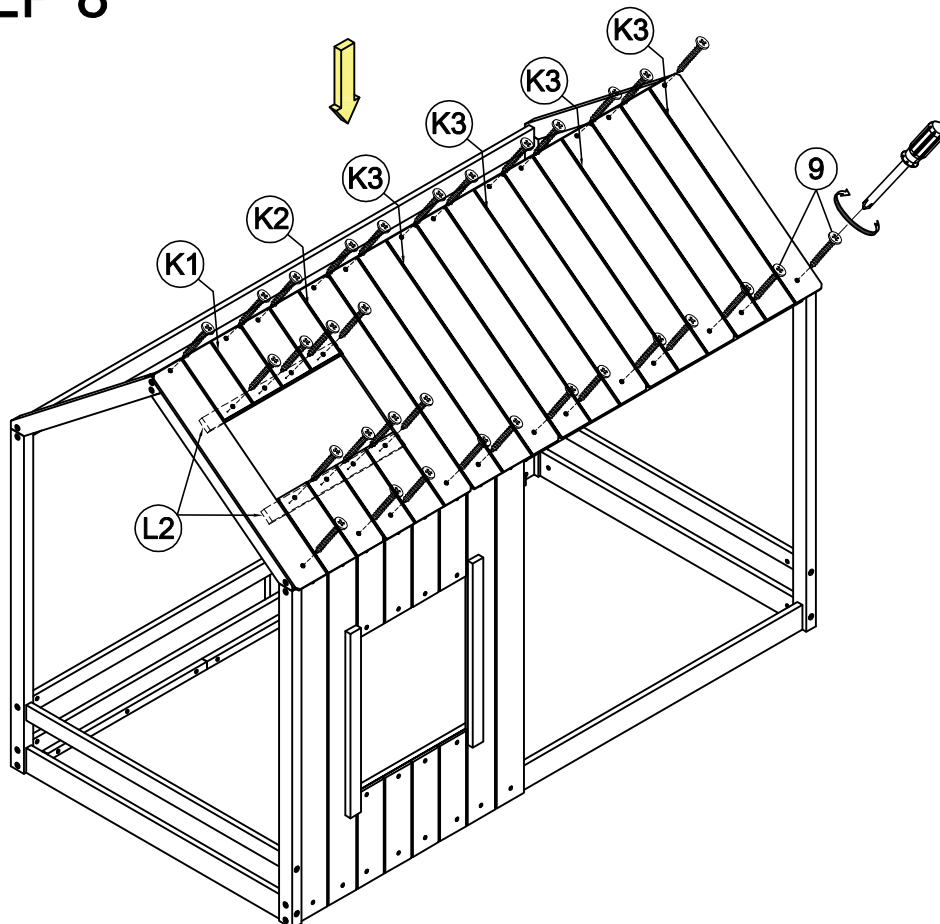


STEP 8

9



Wood crews
M3.5 * 20 - 32pcs

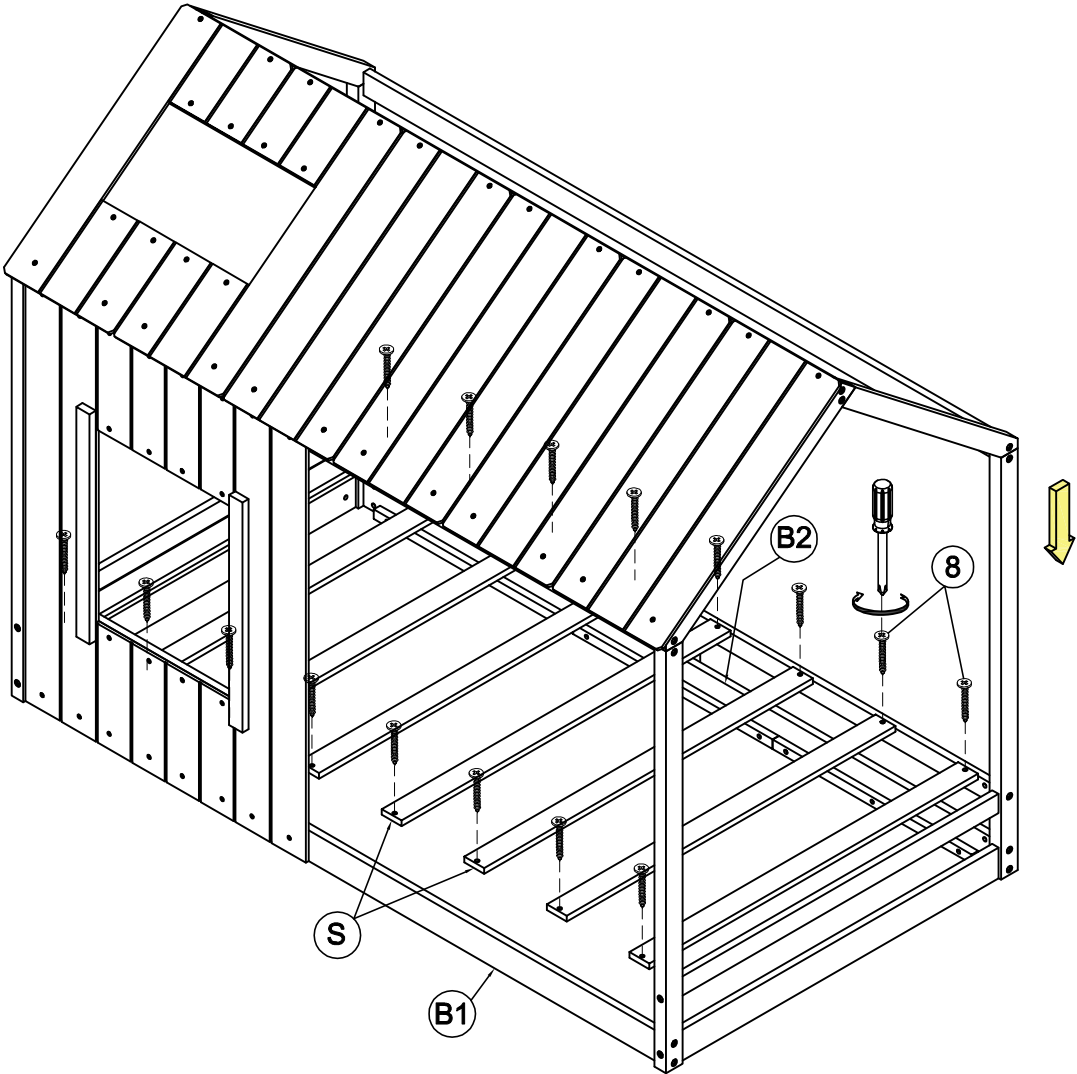


STEP 9

8



Wood crews
M4 * 25 - 16pcs



COMPLETED

