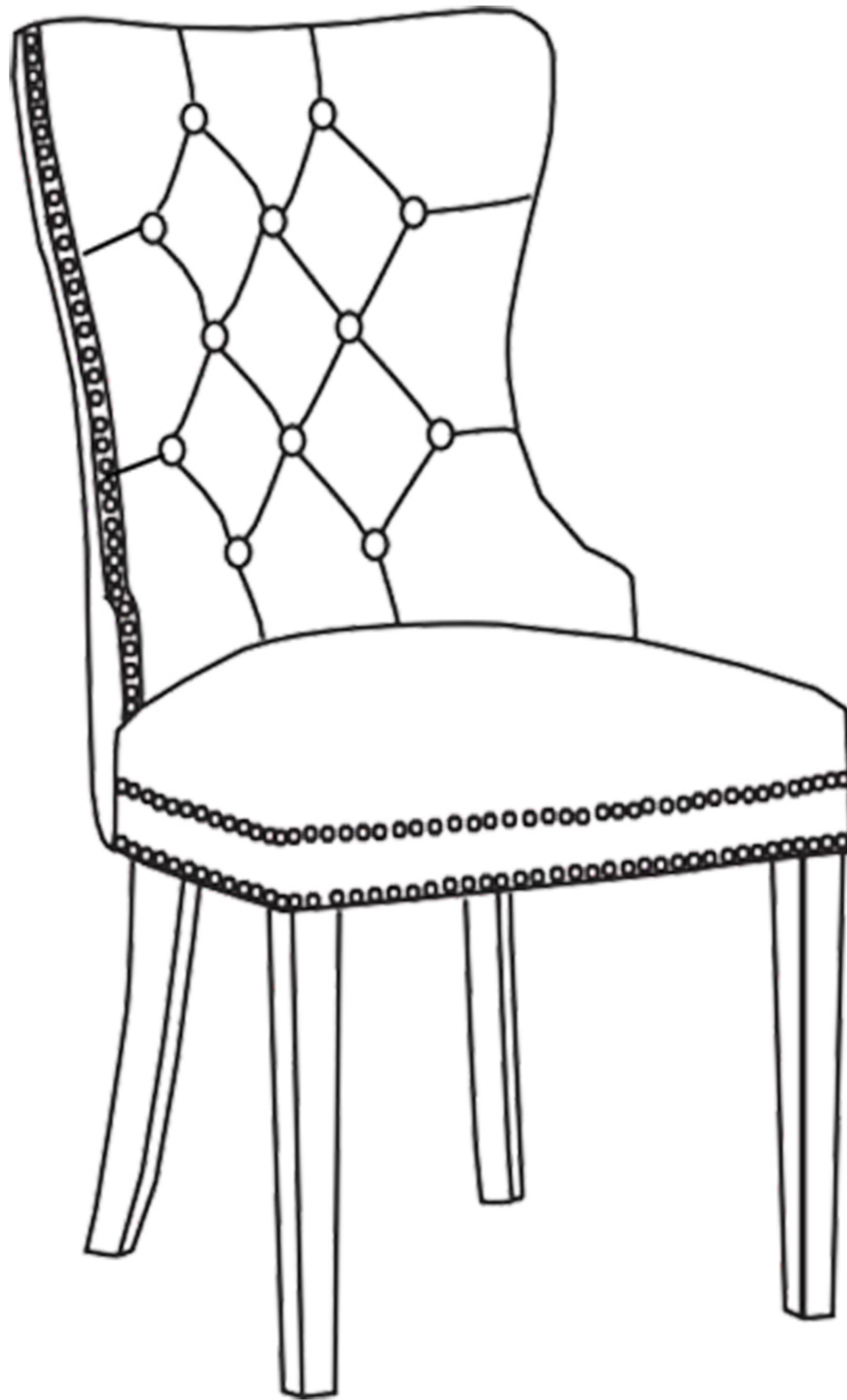


# ASSEMBLY INSTRUCTION



## **Dear customer,**

Thank you very much for buying our items. Please read the assembly instruction carefully before assembly.

## **Notices:**

- Verify that all parts are present and in good condition before assembly.
- Put the chair on a clean flat surface.
- Make sure to use 9 shorter screws (D) to fix the back and legs  
4 longer screws (E) to fix the front legs.
- Please tight the screws about 80% for the first step; Then, sit with caution on the chair to adjust the balance of the frame; Finally, tighten the screws completely 100%.
- If you find that four legs are unlevel after assembly, you can use adjustable pegs to keep four legs level.

## **Contact us**

If there are installation problems, damage, missing parts, or any questions and concerns, please contact the shop where you bought it so we can make things right.

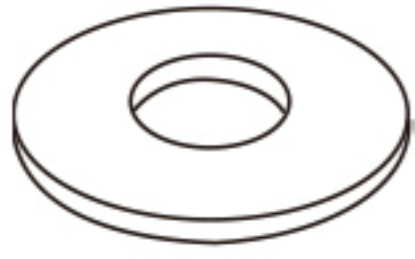
If the product is damaged, please send the following information:

- Photos that show the reason for your claim/damage.
- Photos of the packaging (inside and outside).
- Photos of the packaging (inside and outside).

Thank you very much for your support!

# Package Contents

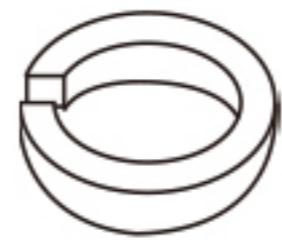
A x 13



$\varphi 8$

Flat washer

B x 13



$\varphi 8$

Lock washer

C x 1



M8

Allen key

D x 9



M8x55mm

Shorter Screw

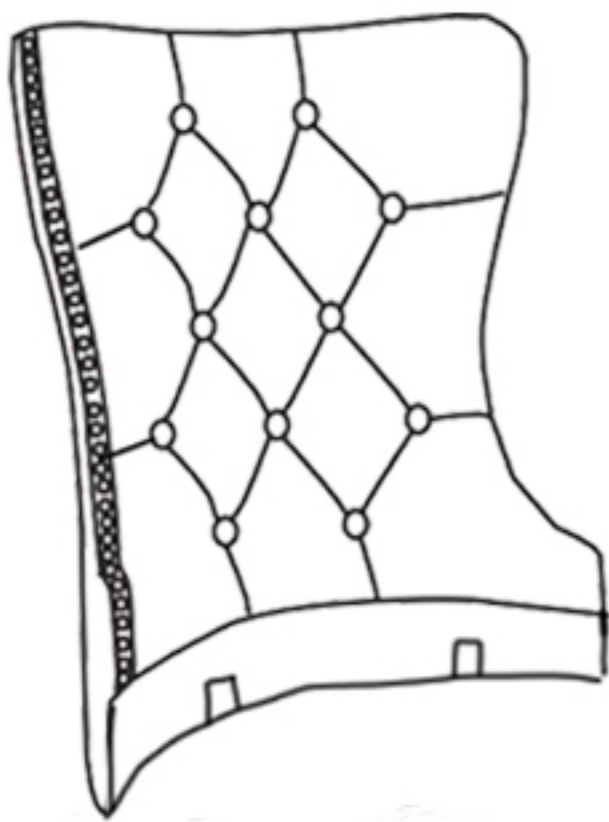
E x 4



M8x60mm

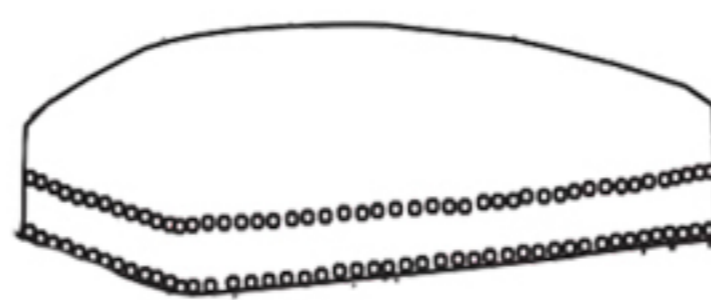
Longer Screw

F x 1



Back

G x 1



Seat

H x 2



Hind Legs

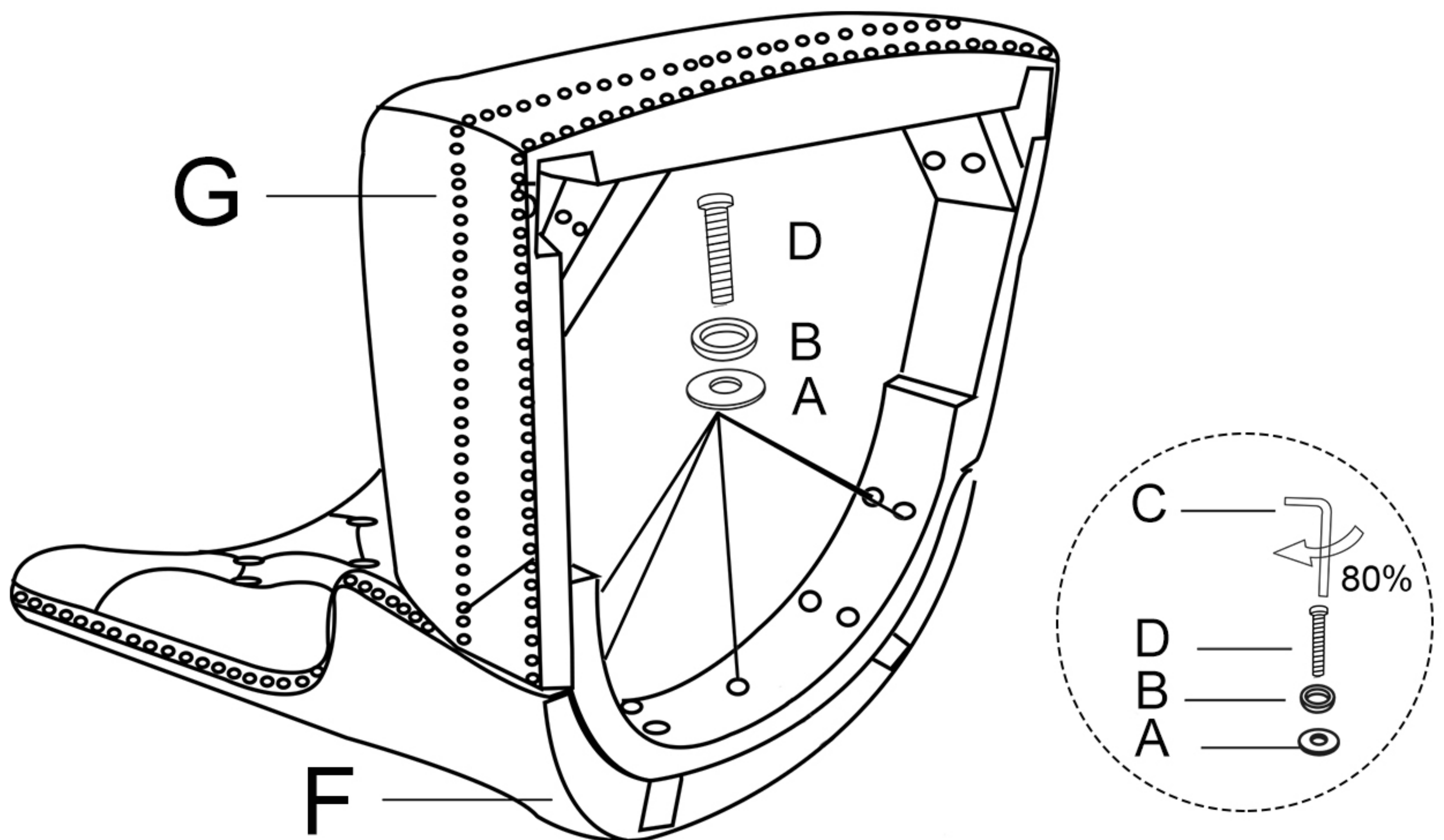
I x 2



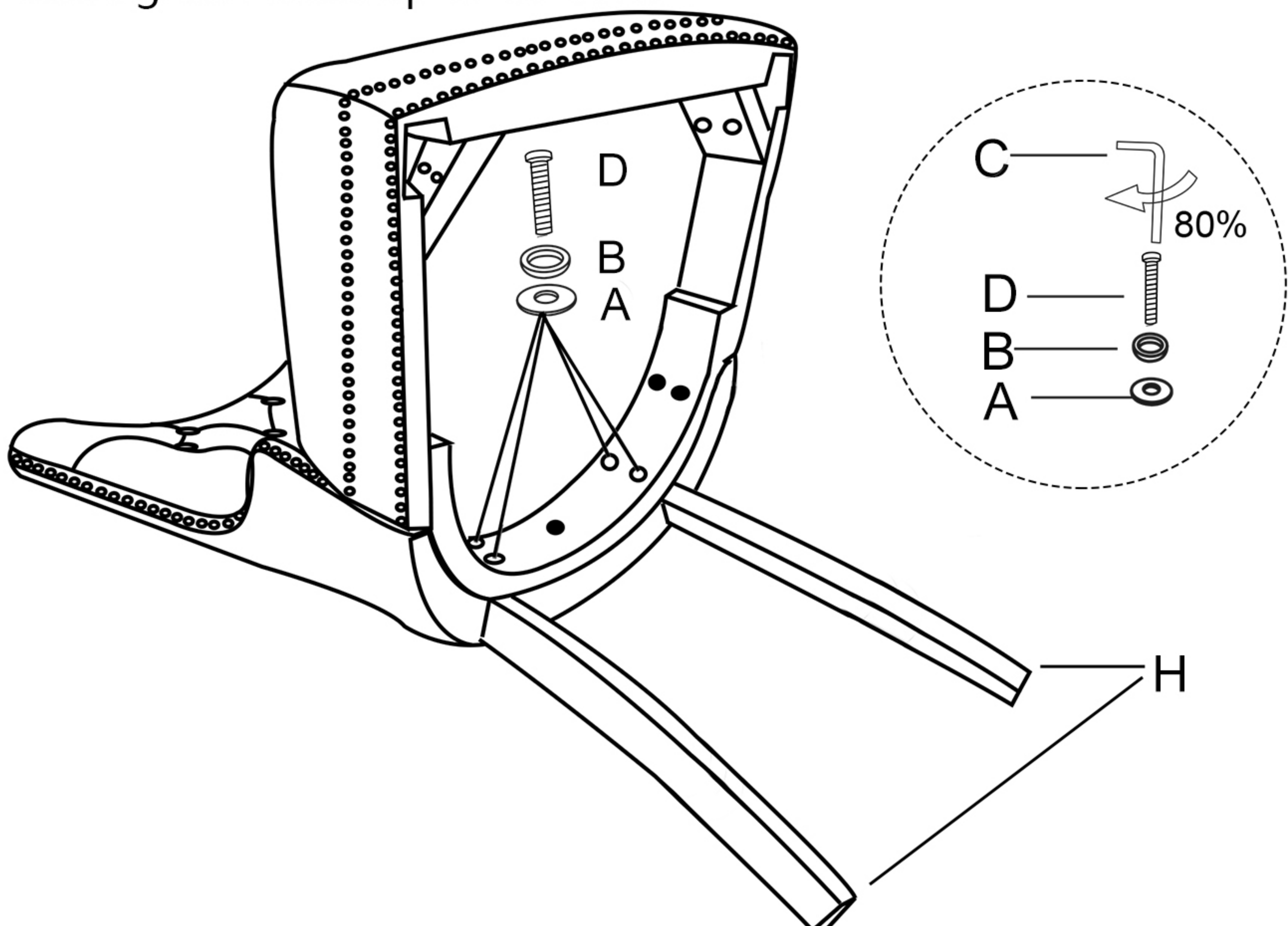
FRONT Legs

# Step by Step Guide

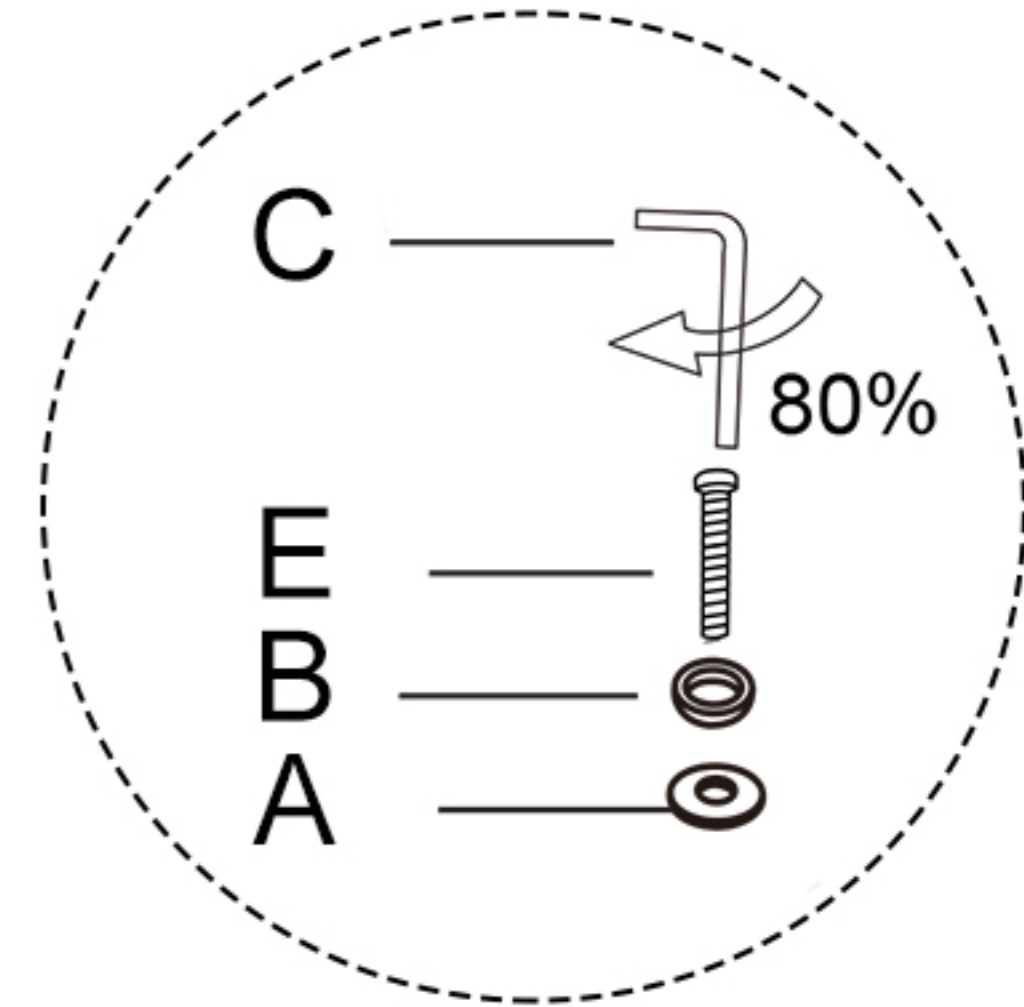
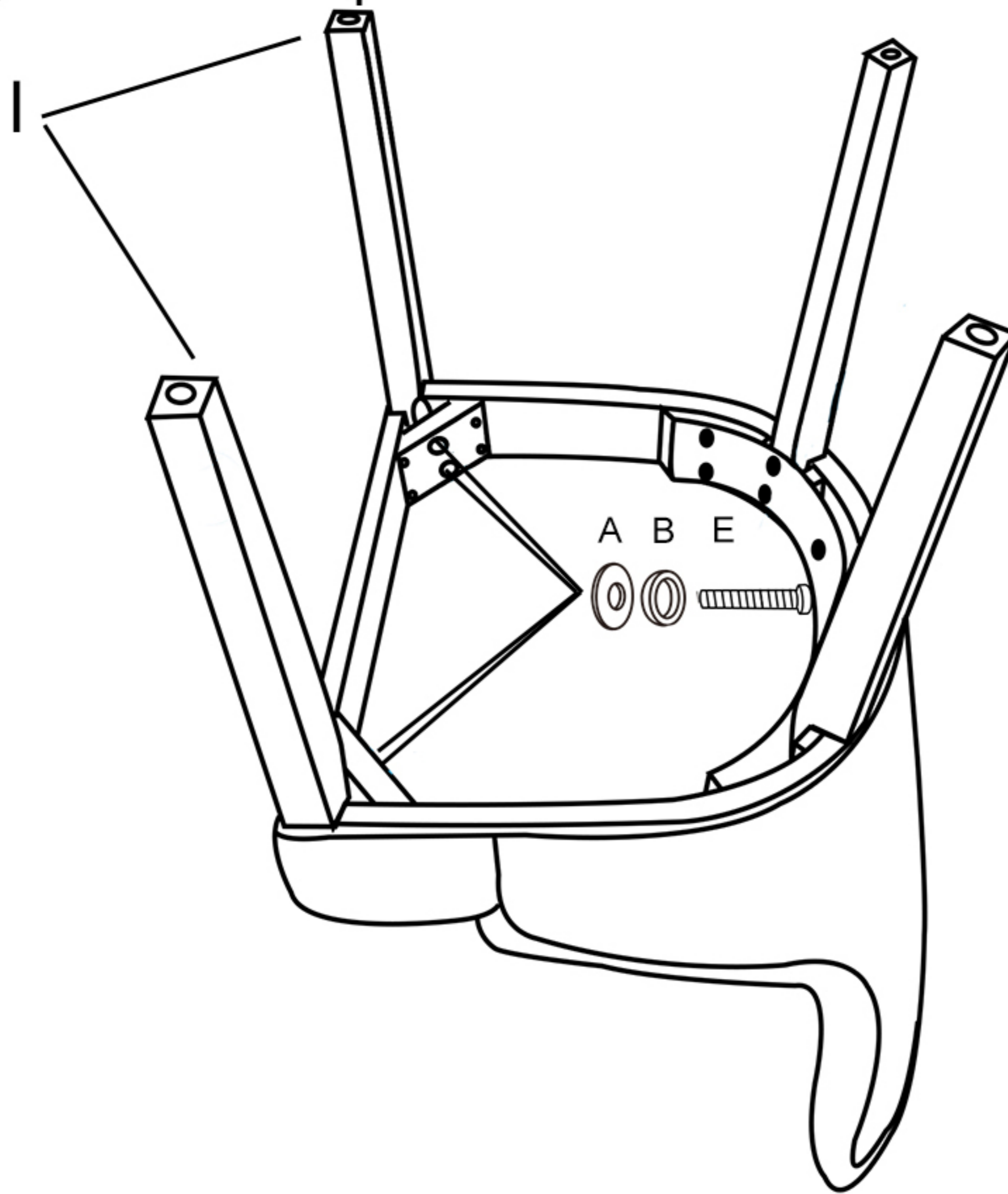
- 1** Please open the fabric cover under the seat.  
Taking the back to align the holes of the seat by using screw (D)  
with washer (#A, B).  
Just tighten them up to 60-80%.



- 2** Taking the back legs to align the holes of the seat of the chair by  
using screw (D) with washers ( #A,B).  
Just tighten them up to 60-80%.



- 3** Taking the front leg to align the holes of the seat cushion of the chair by using screw (E) with washers (#A, B). Just tighten them up to 60-80%.



- 4** SIT ON THE CHAIR  
Be sure that all 4 feet touch the ground and that the chair is leveled. Tighten all screws up to 100%. Put the fabric cover after finished chair assembly.

