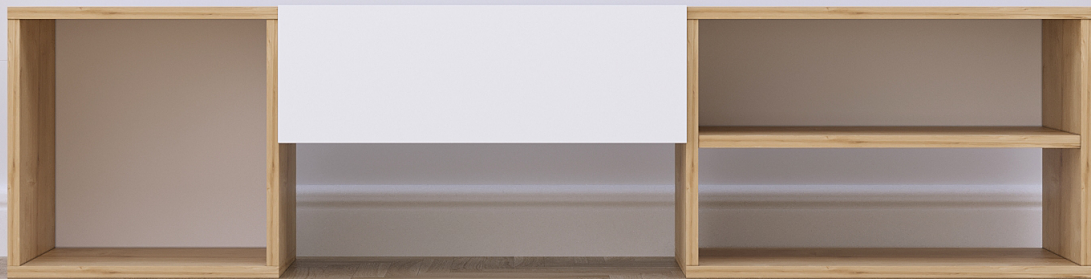
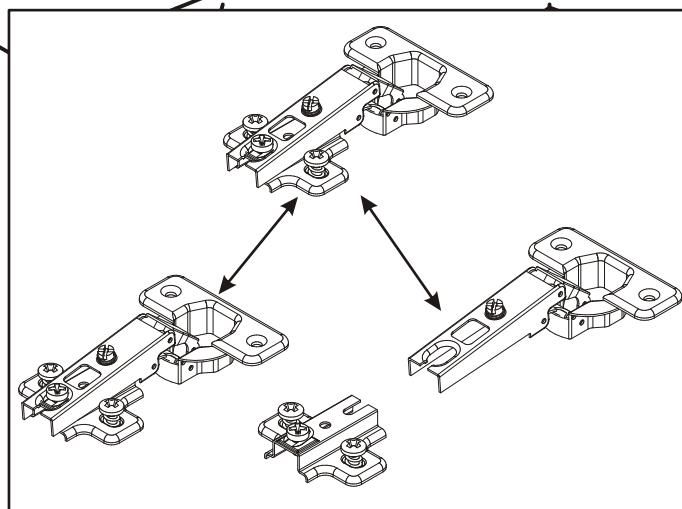
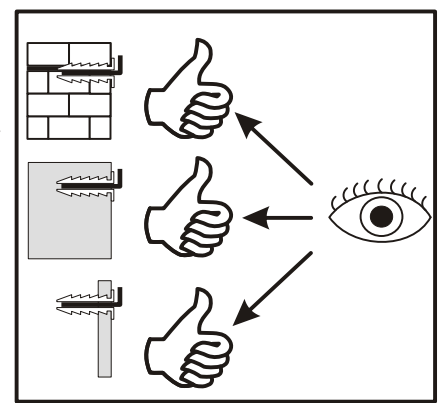
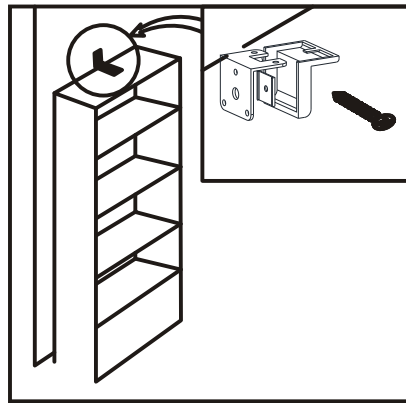
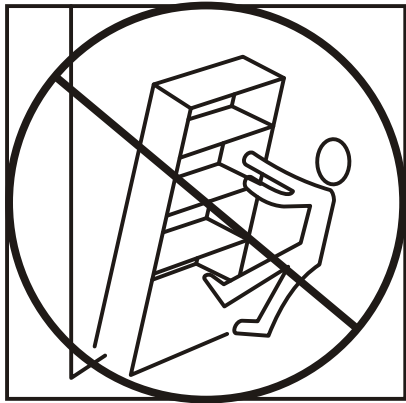
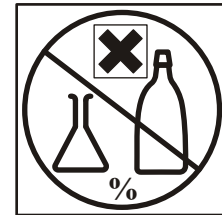
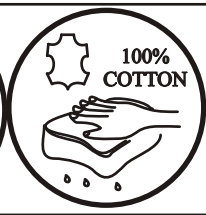
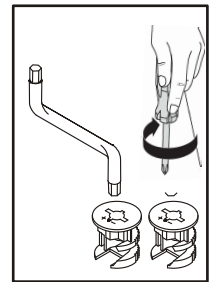
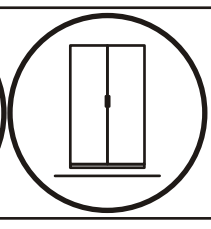
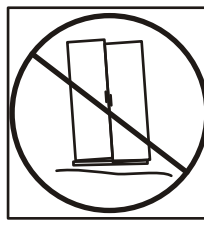
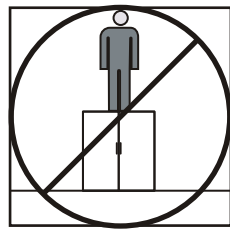
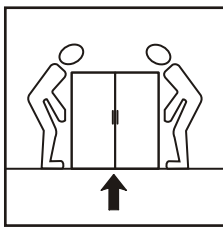
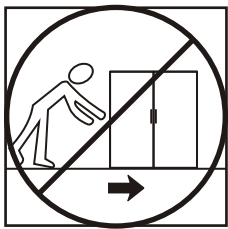
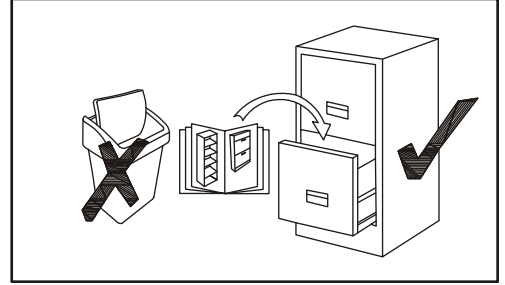
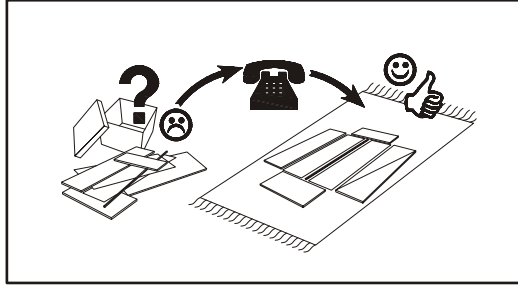
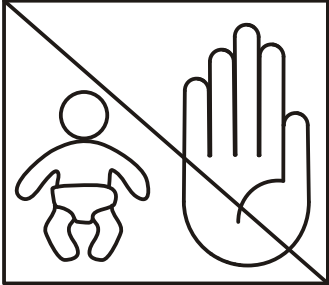
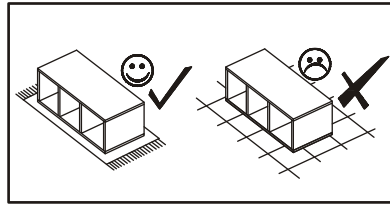
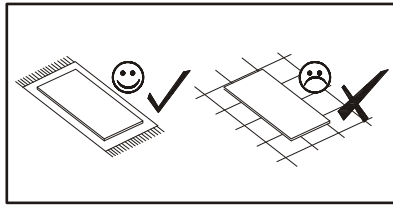




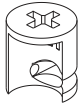
ASSEMBLY MANUELL



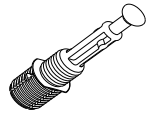
TV STAND



How to instal Components



MINIFIX
HEAD

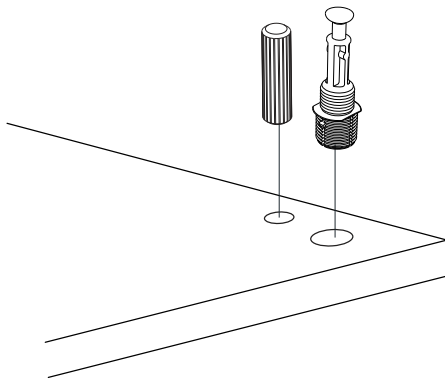


MINIFIX
SCREW

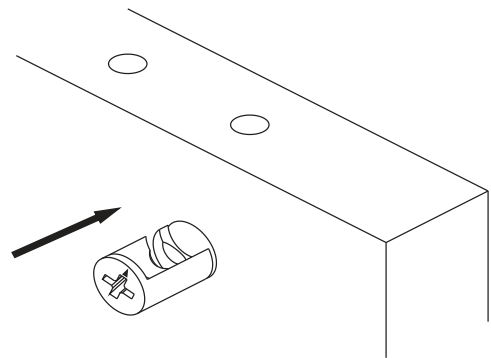


DOWEL

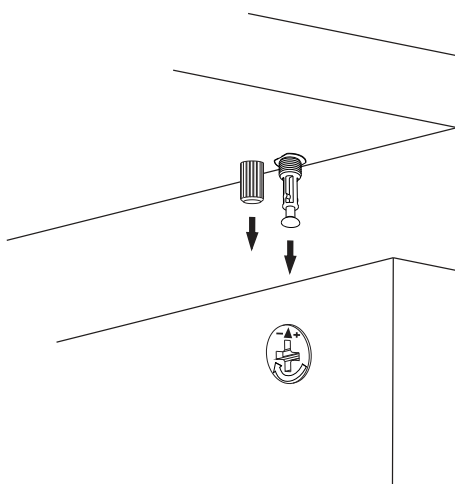
If the dowel is not required during the installation phase, it is not included in the package.



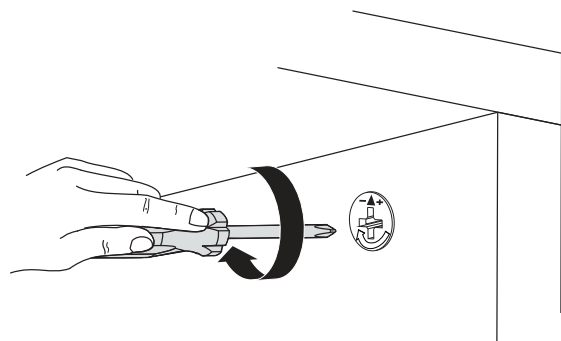
*Please notice that there is an small arrow on A03 (minifix head). This arrow should show the direction of upper hole.



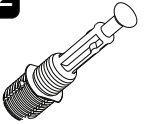
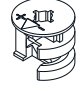



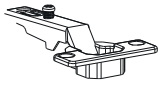

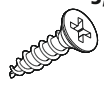

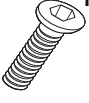

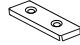
*After attaching two pieces please turn the A03 (minifix head) clockwise direction with the help of a screwdriver.



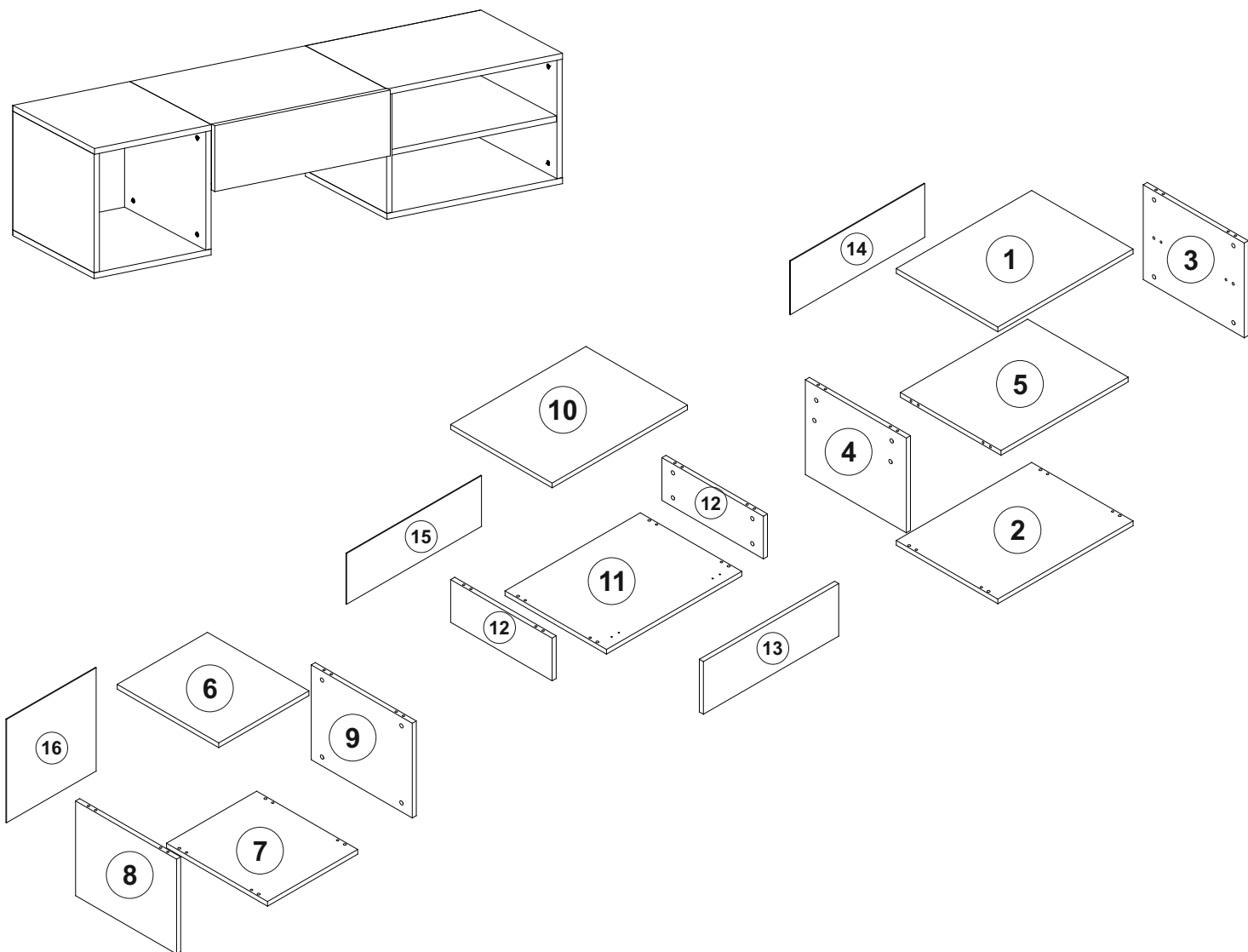
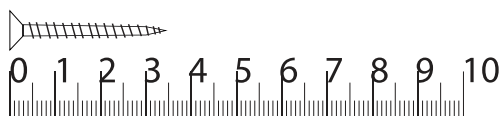
*Please do not over screw the minifix head since it may be broken if too much power is imposed. Just make sure that it is screwed to the direction "+" do not go any further.



ACCESSORY LIST

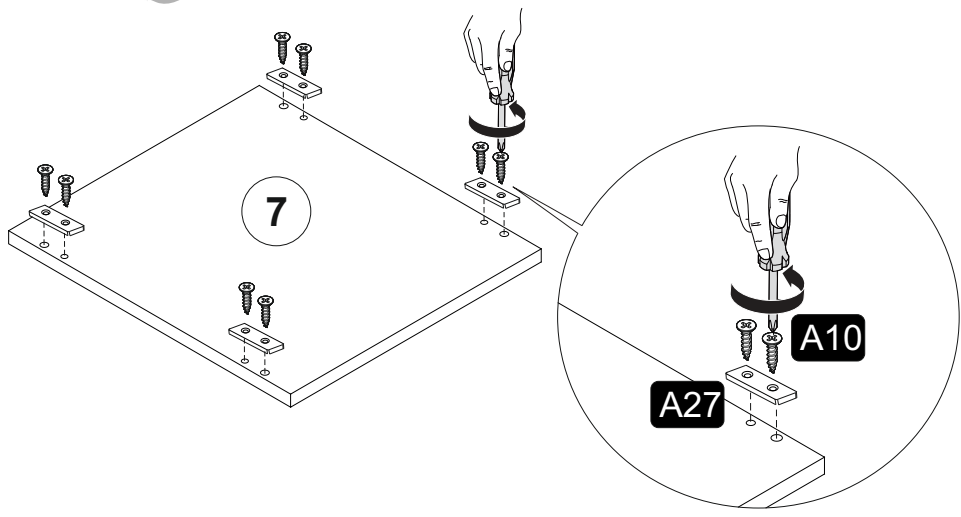
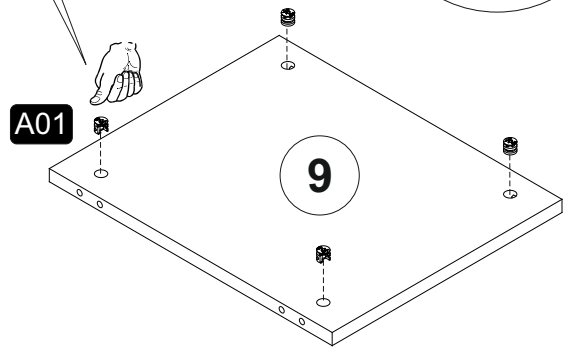
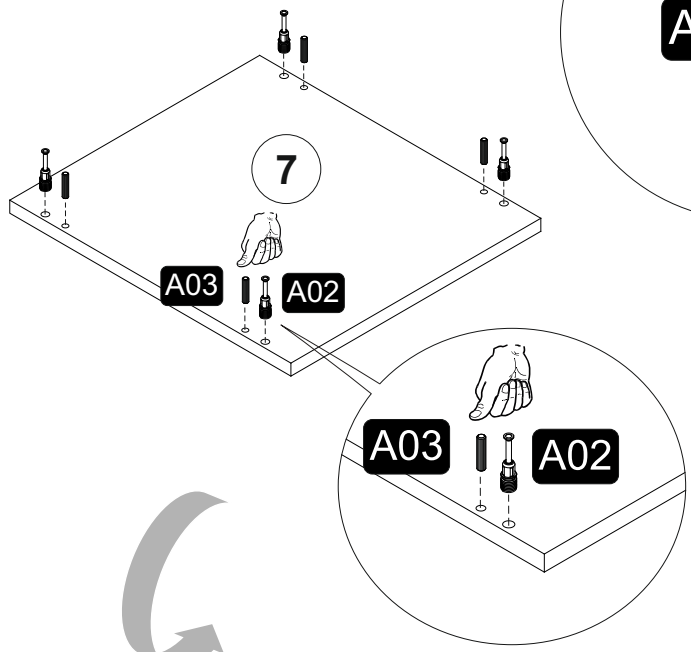
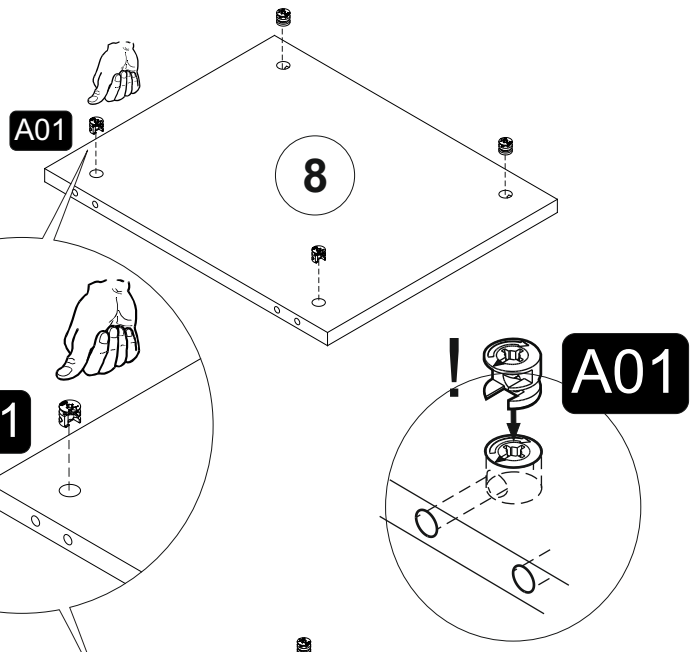
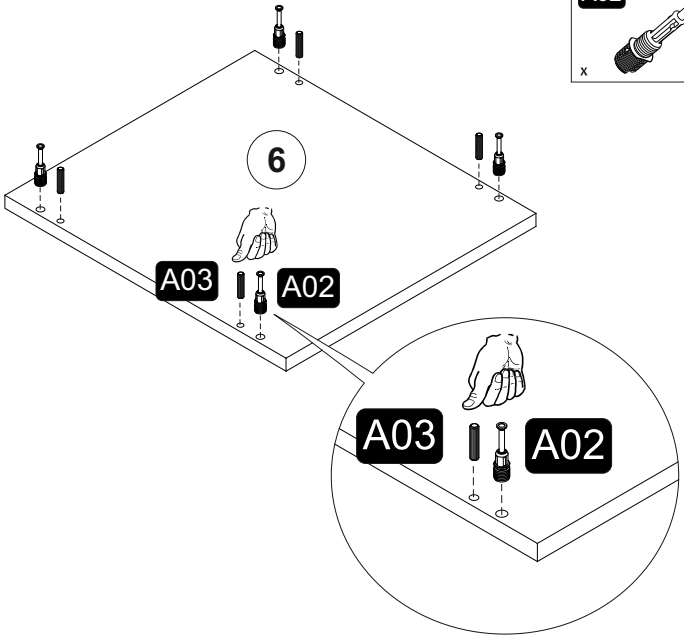
A02 Minifix M8  x 28x	A01 Minifix G8  x 28x	A03 KVLY  x 28x	A23 mm  20x	A24 mm  8x
A12 DM  2x	A13  2x	A10 3,5x18  24x	A28 AC  40x	C36 M6x25  8x
A17 M4  1x		A27 PA  8x		

GENERAL VIEW

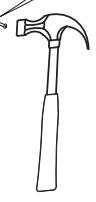
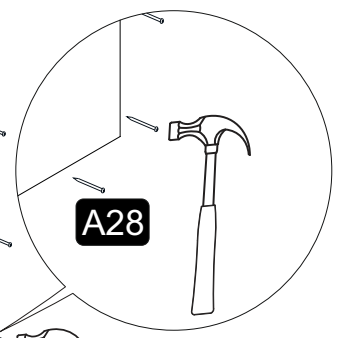
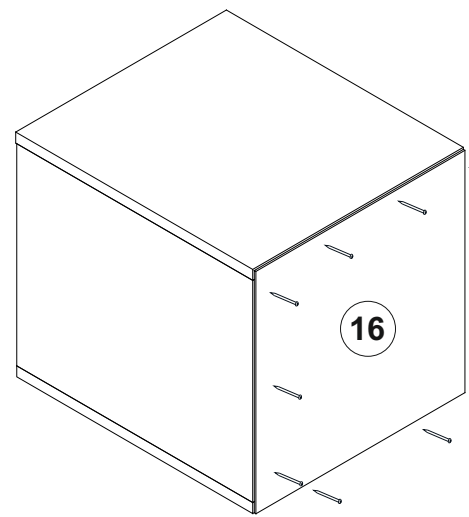
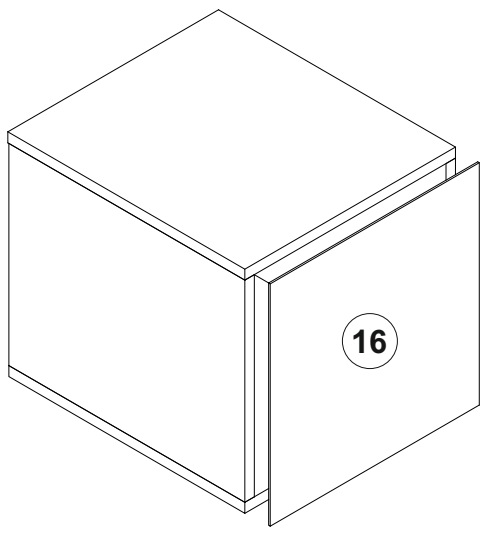
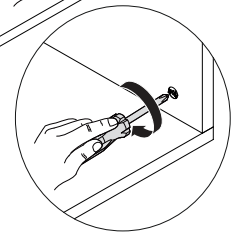
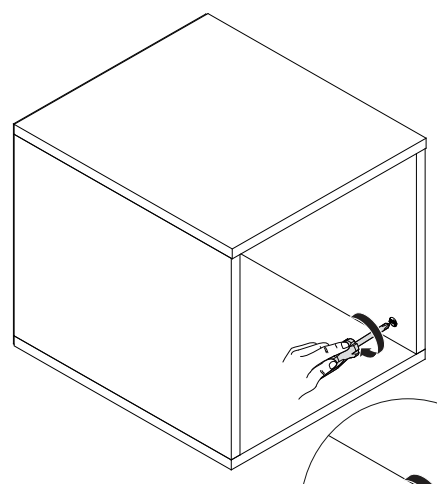
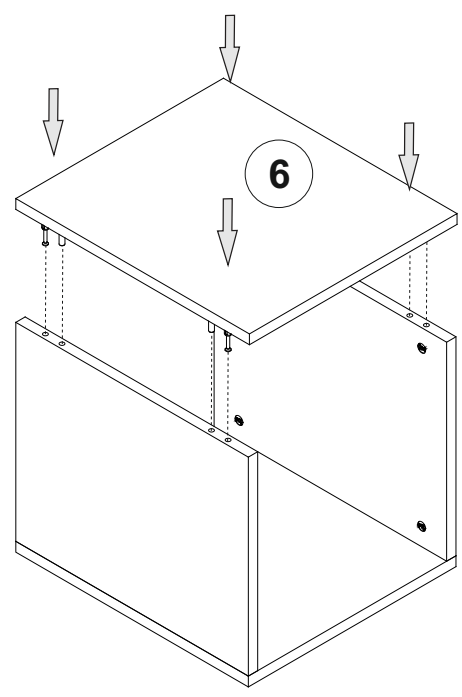
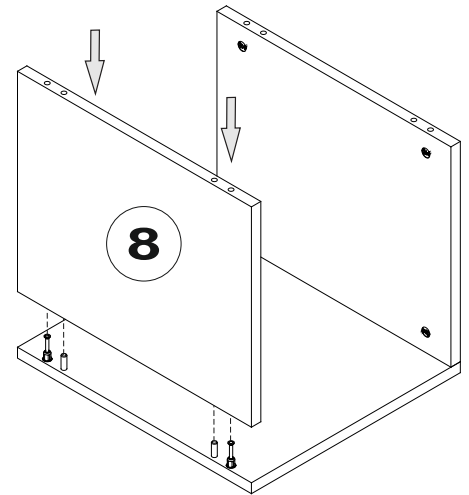
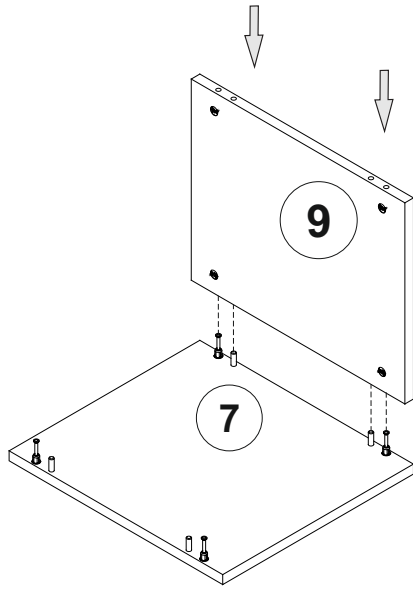





1

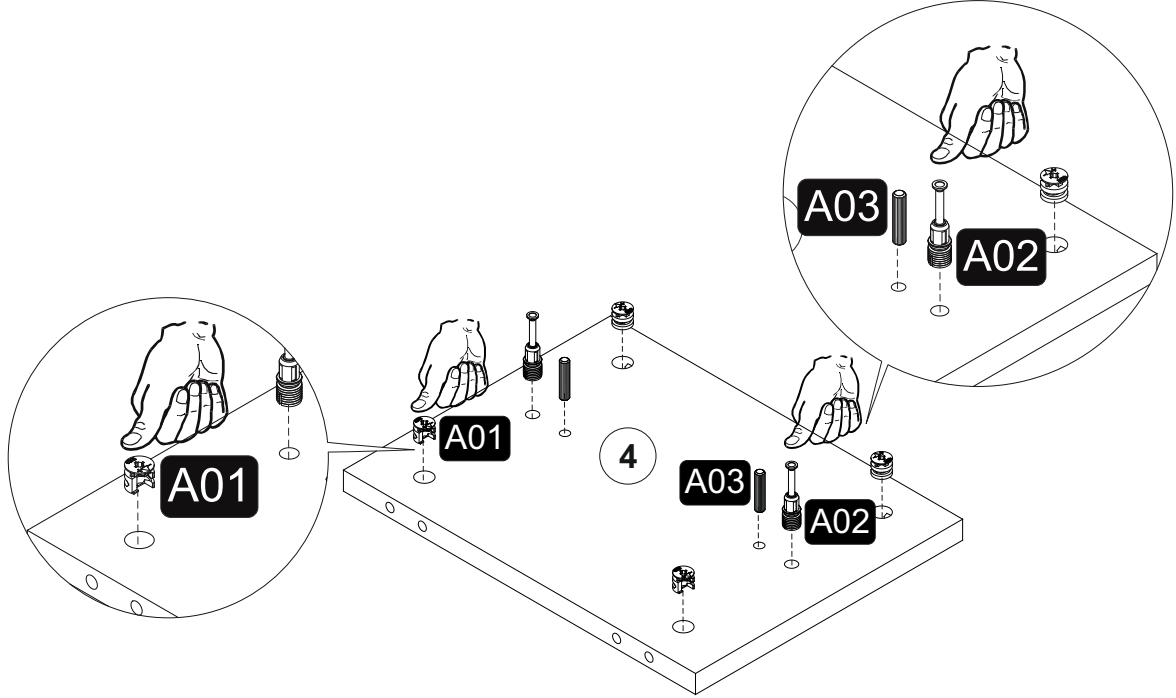
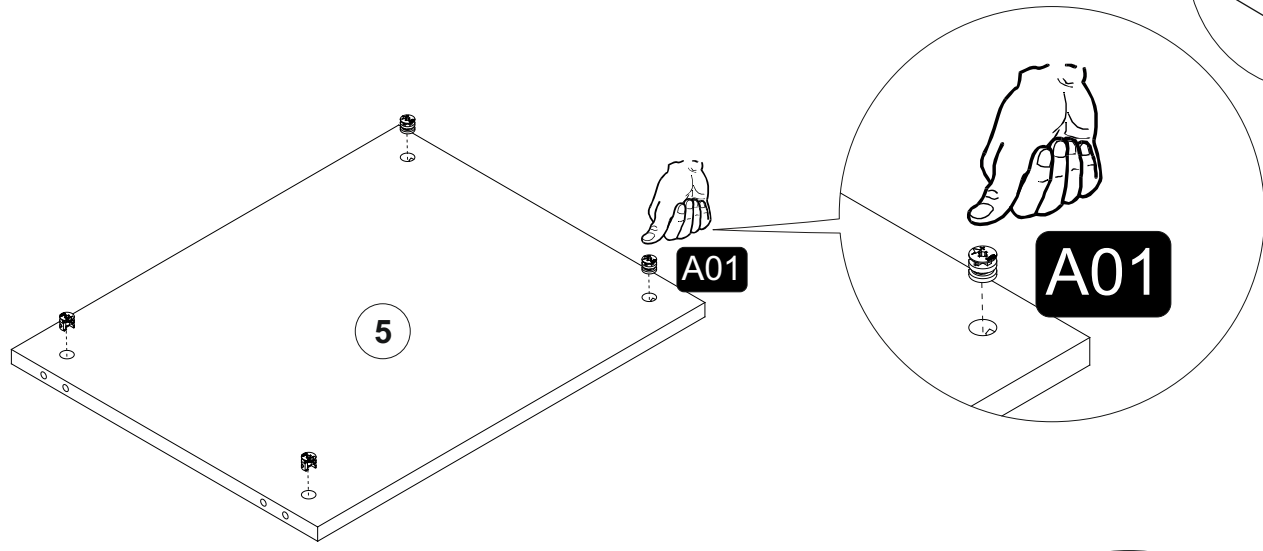
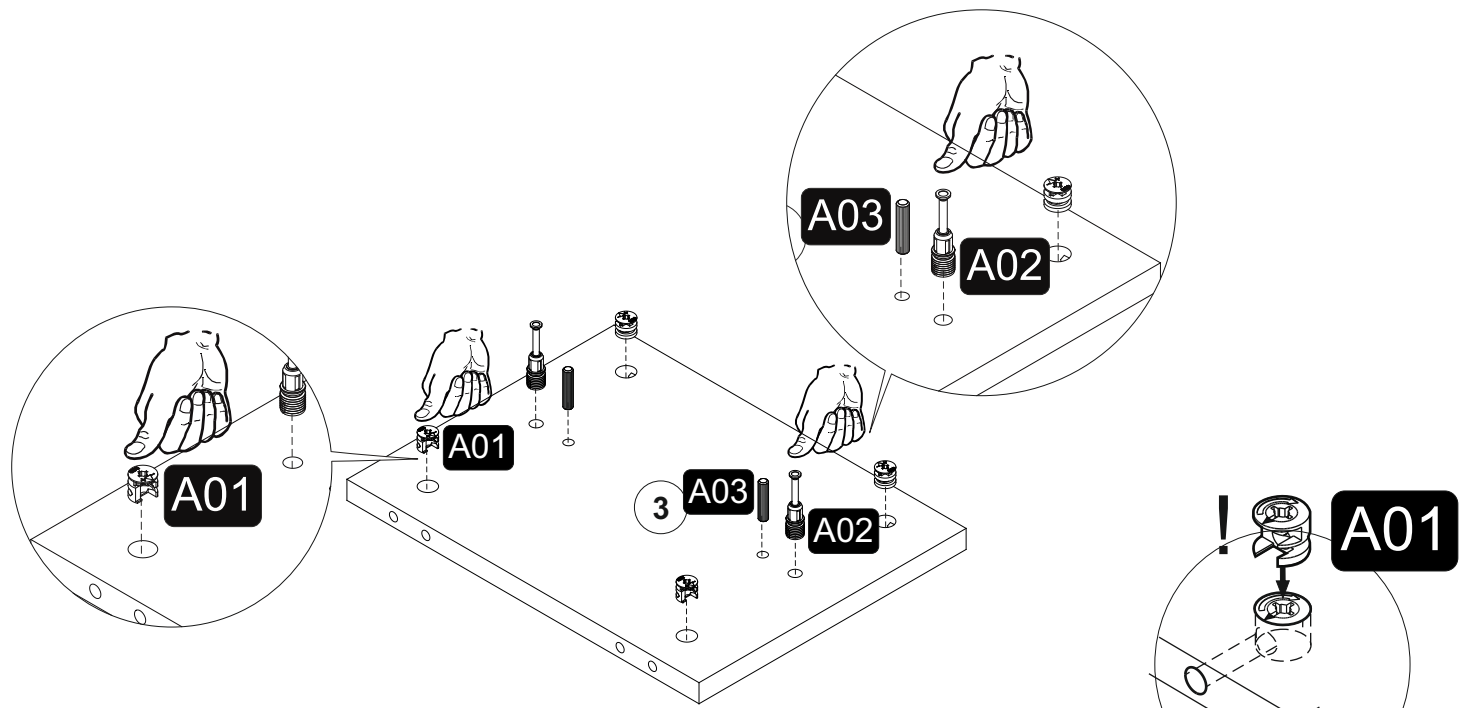
A02 Minifix M8 x	A03 KVLV x	A27 PA 4x	A10 3,5x18 8x	A01 Minifix G8 x	8x
-------------------------------	-------------------------	------------------------	----------------------------	-------------------------------	-----------



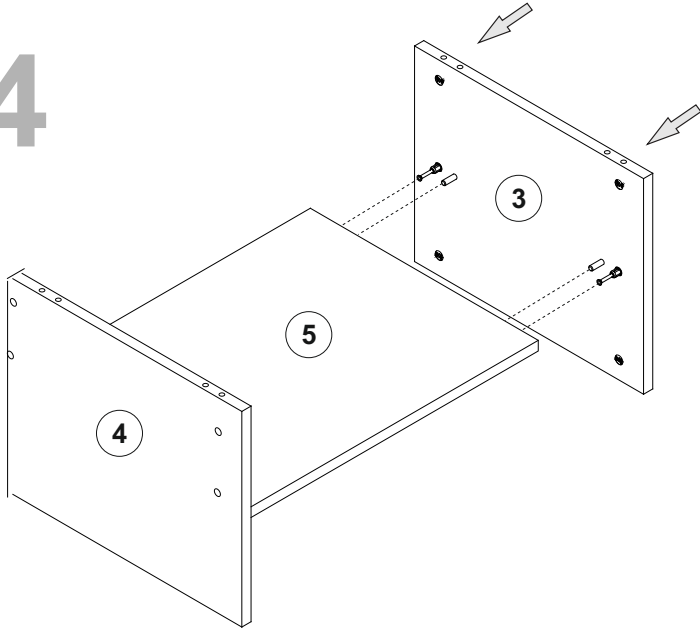
2



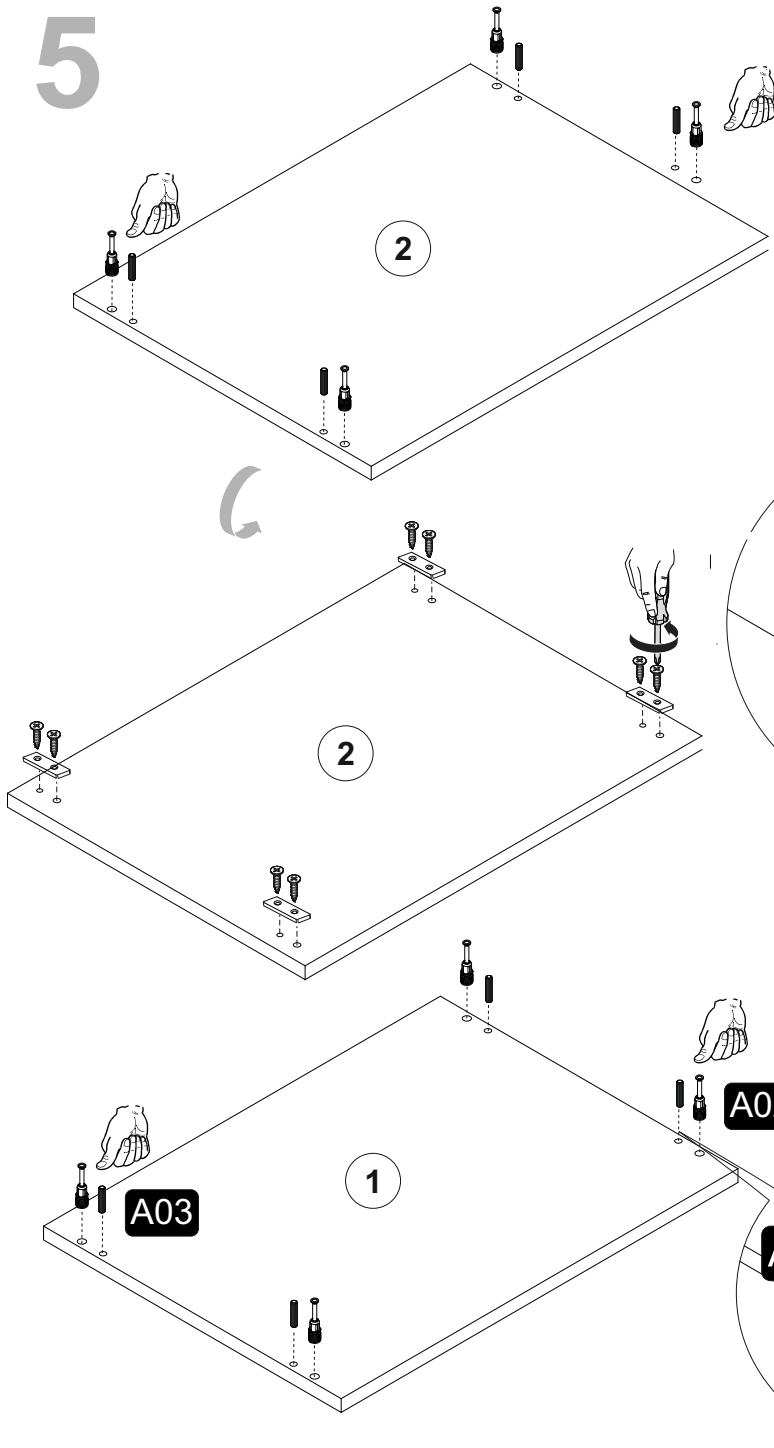
A02 Minifix M8 x	A03 KVLY x	A01 Minifix G8 x
		
4x	4x	12x



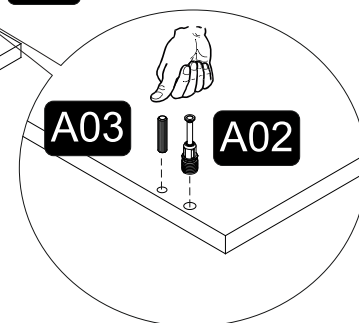
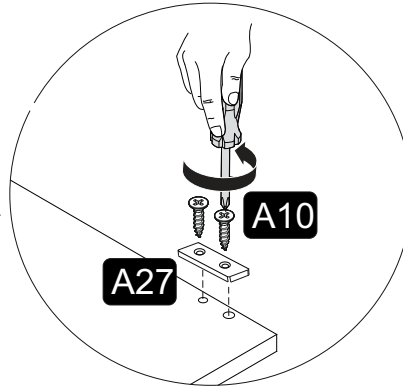
4



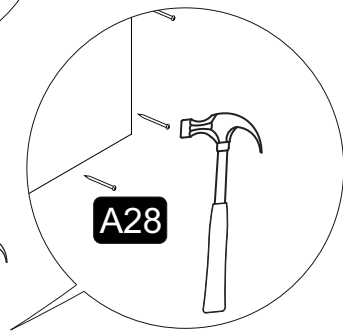
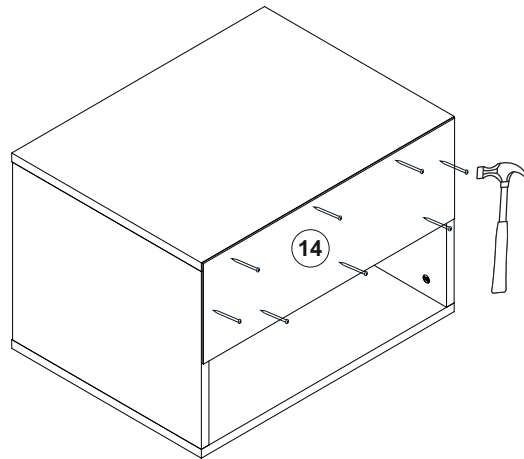
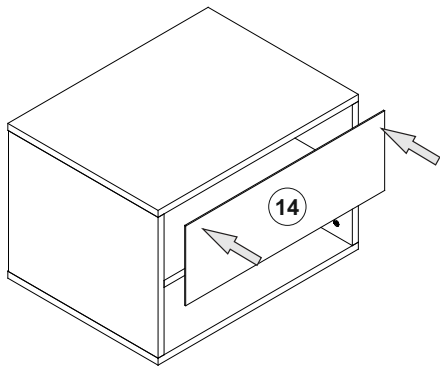
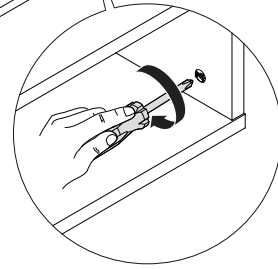
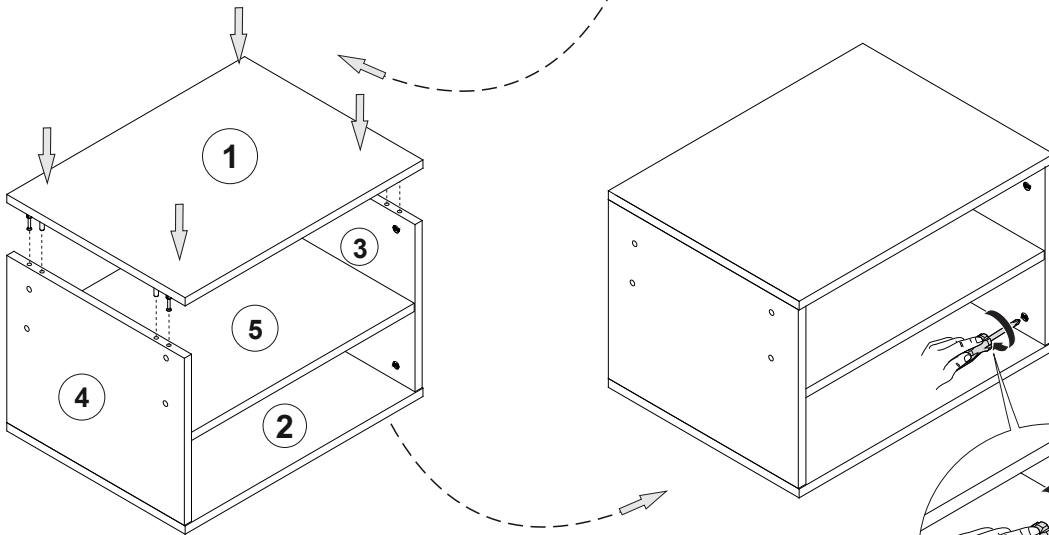
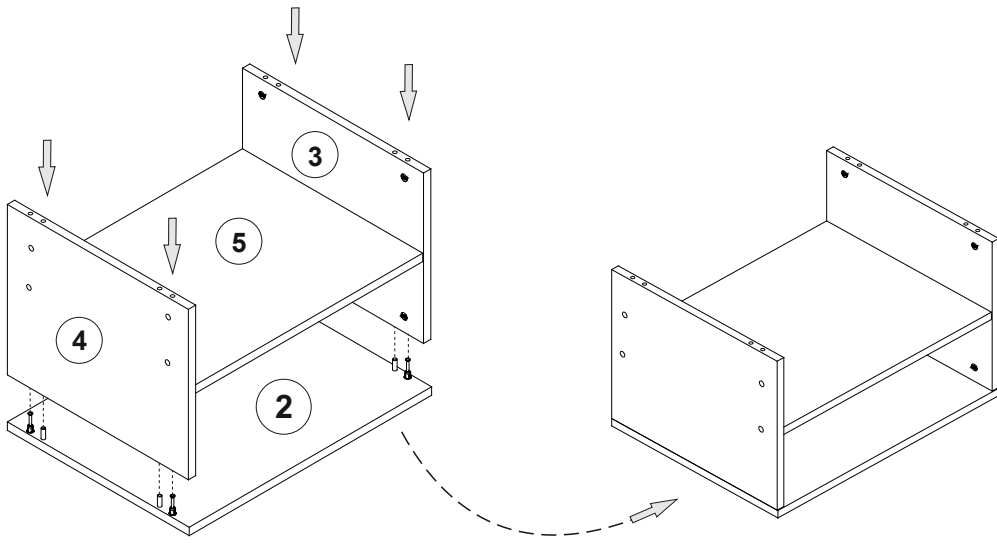
5








A02 Minifix M8 x	8x	A03 KVLV x	8x
A27 PA 4x		A10 3,5x18 8x	

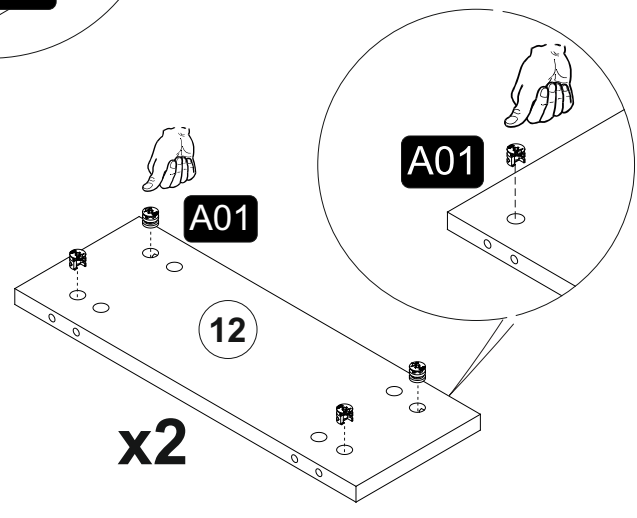
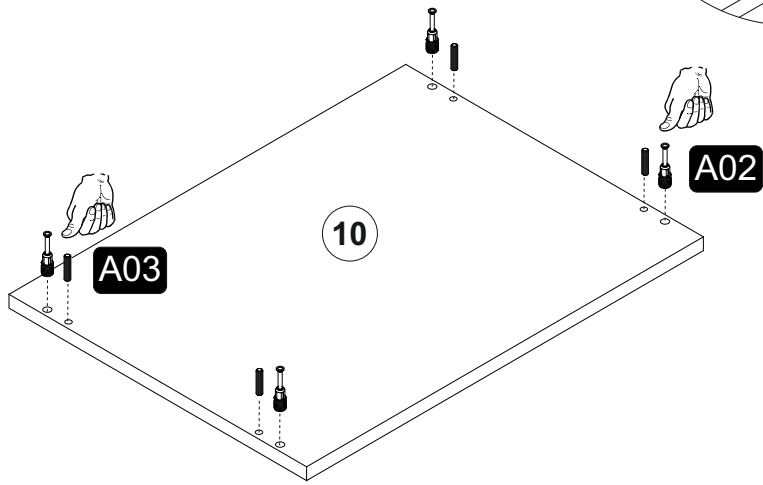
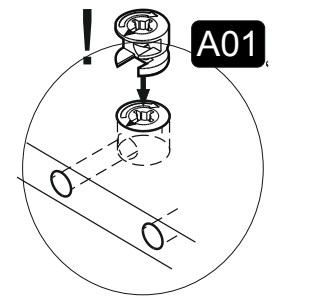
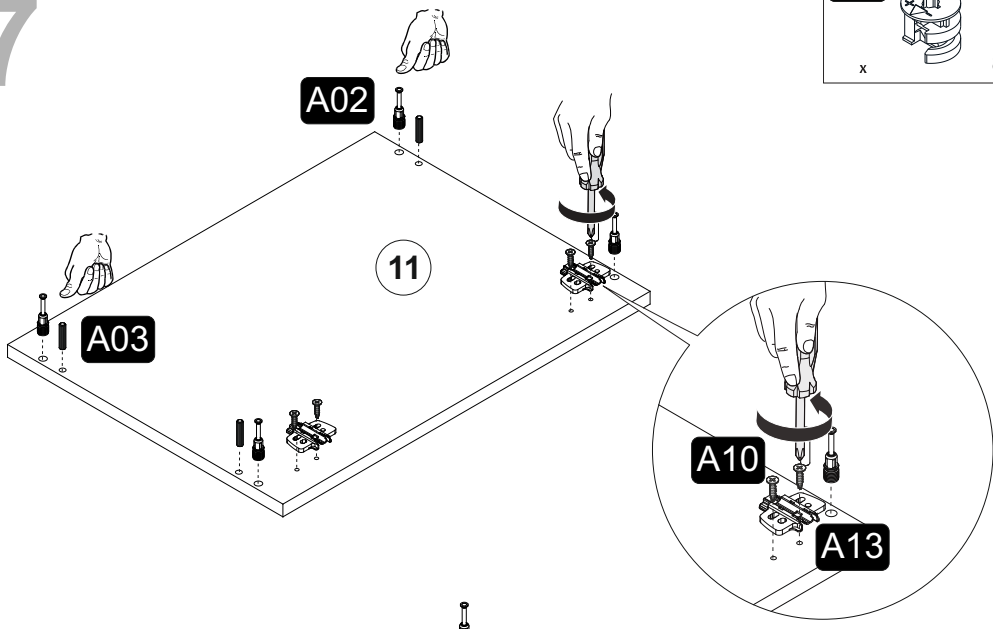


6

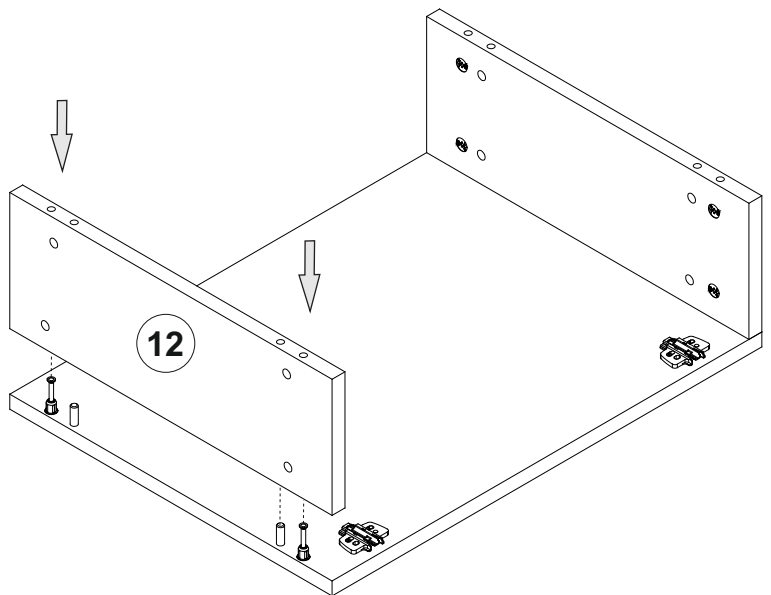
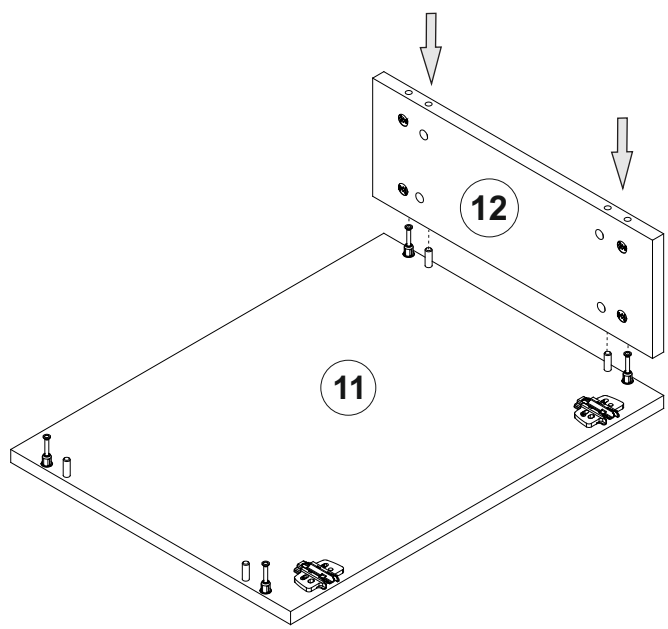


7

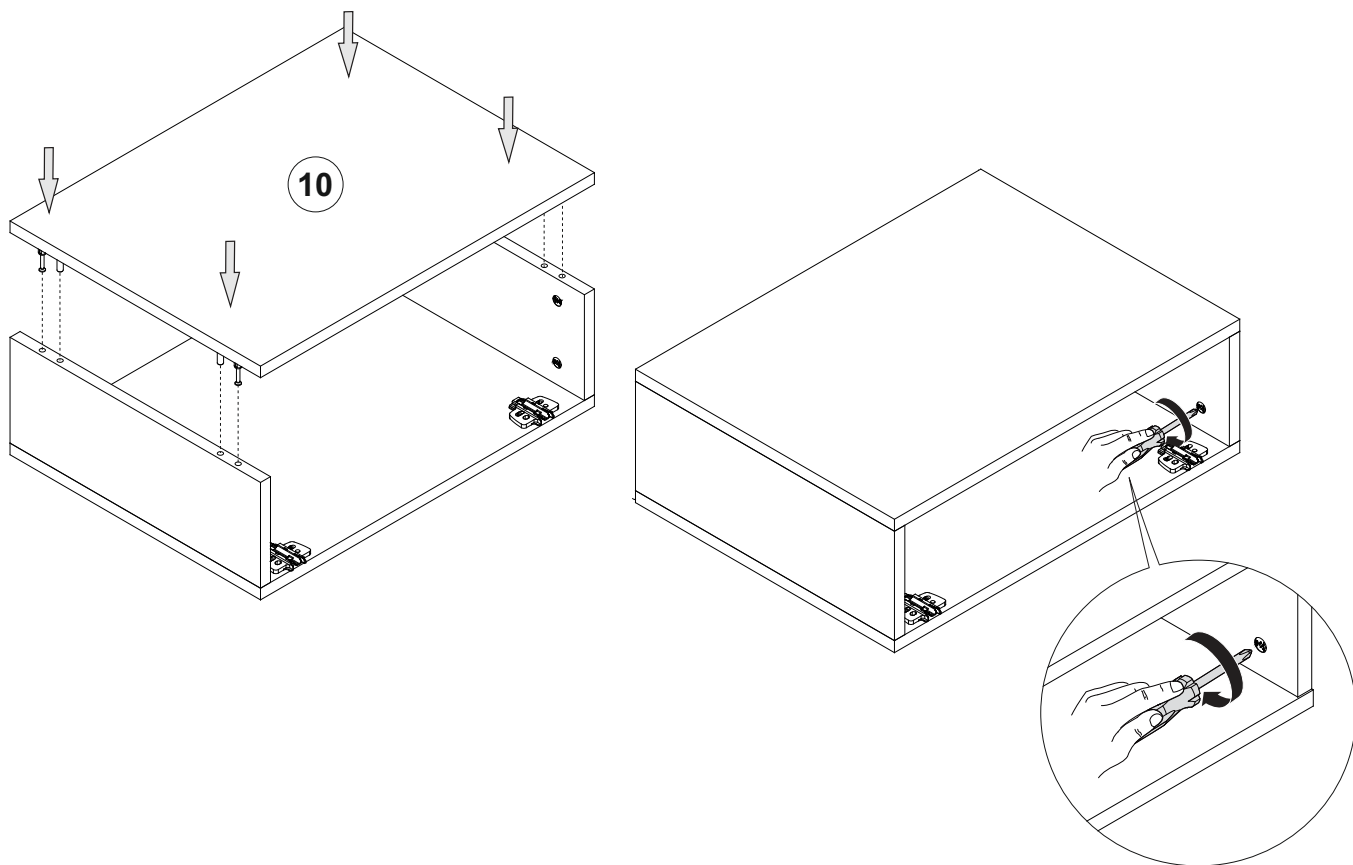
A01 Minifix G8 x	A02 Minifix M8 x	A03 KVLY x
		
8x	8x	8x
A13 x	A10 3,5x18 x	
		
2x	4x	



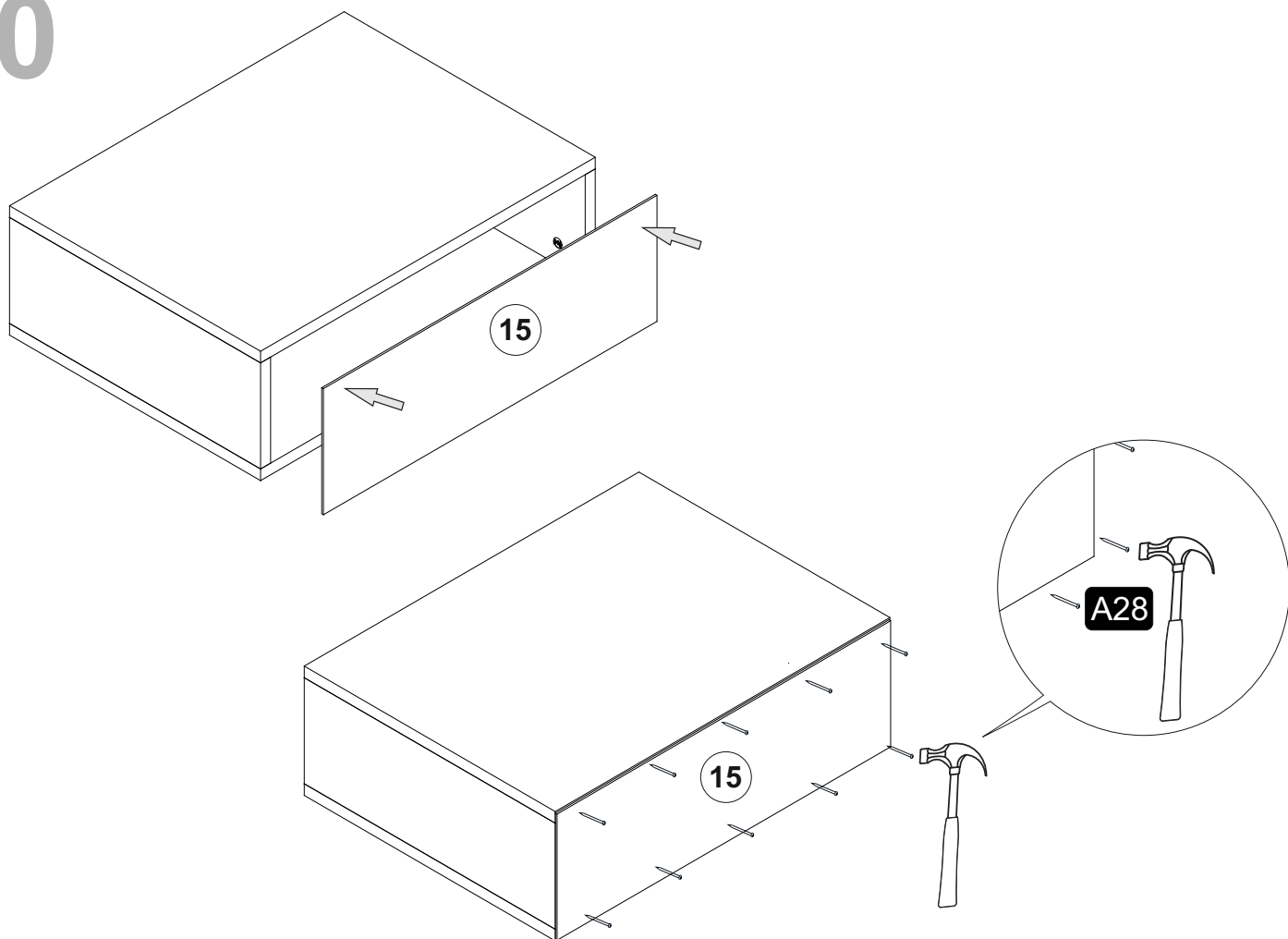
8

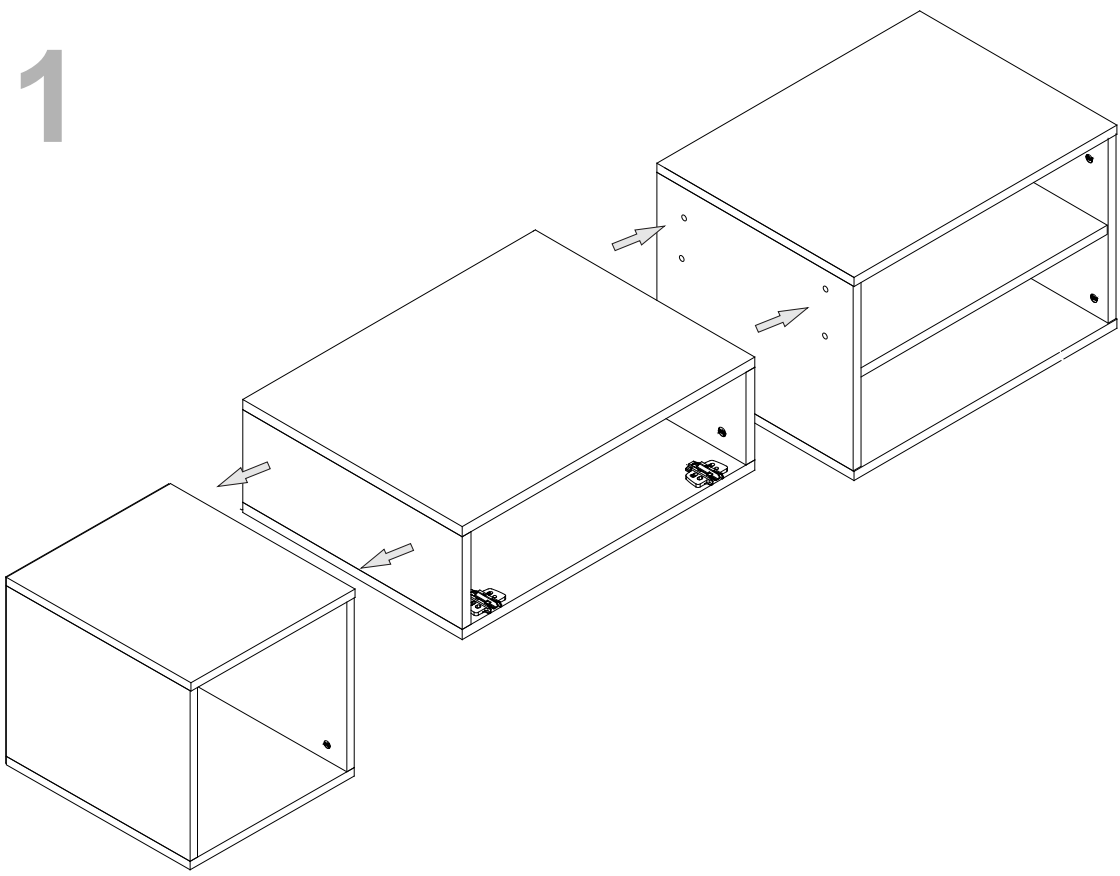


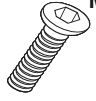

9

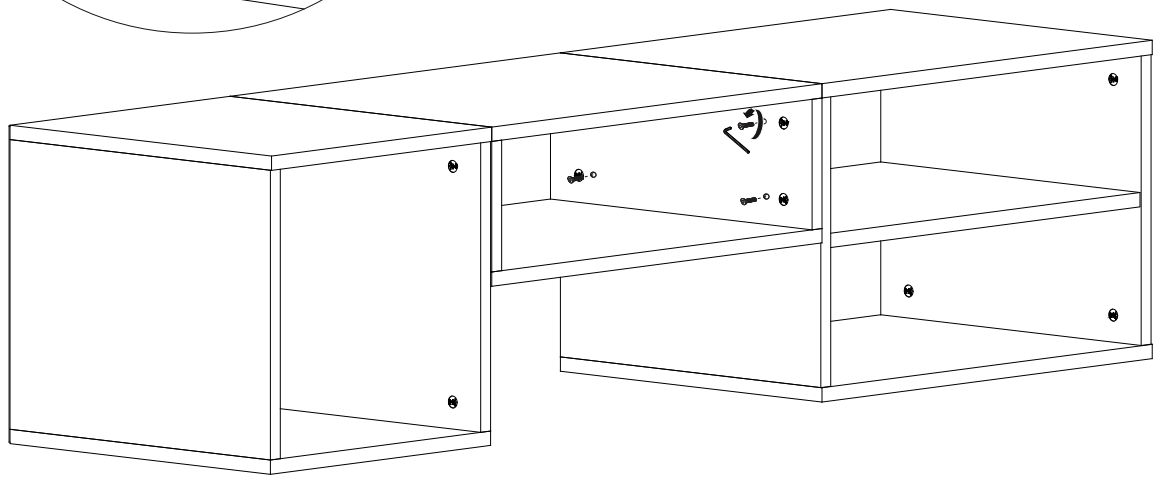
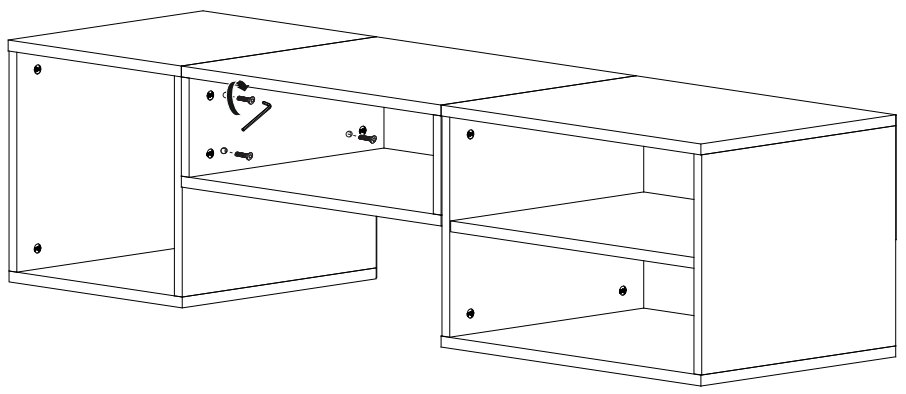
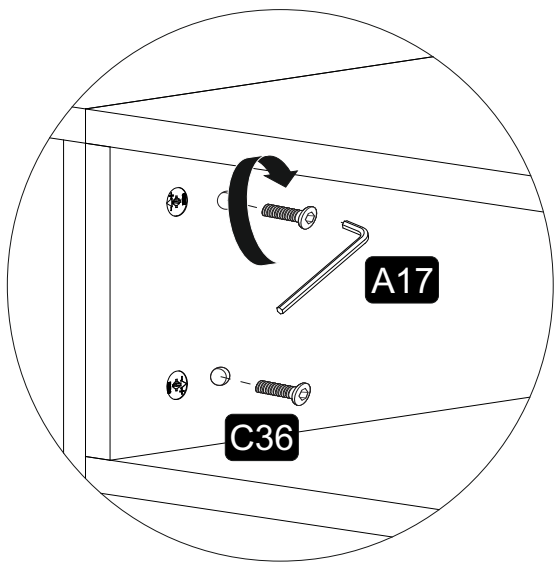


10

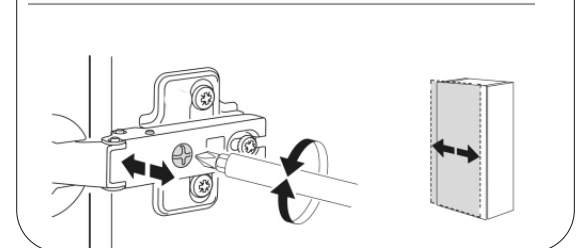
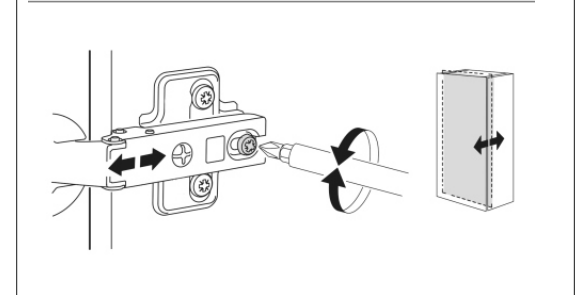
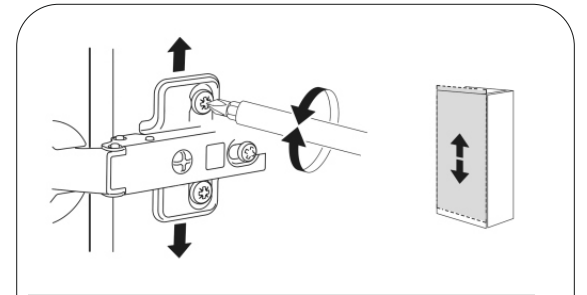
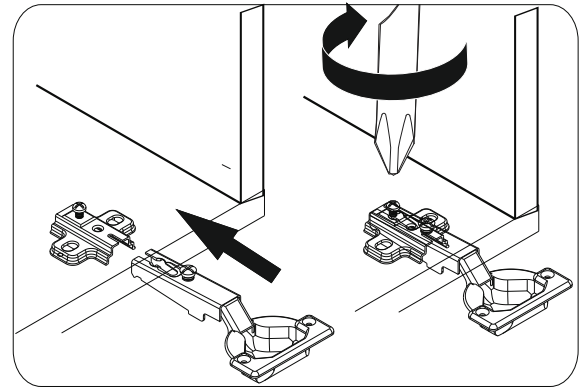
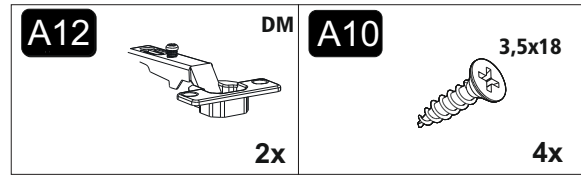
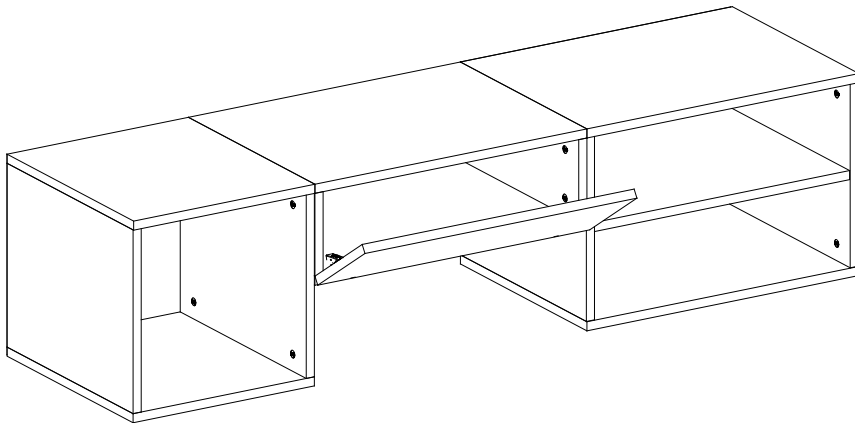
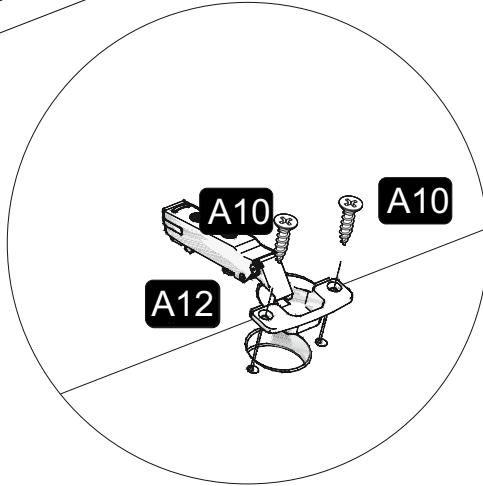
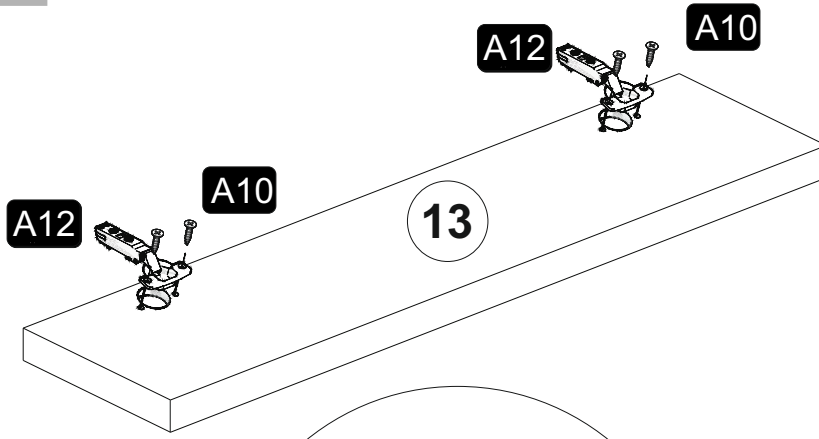


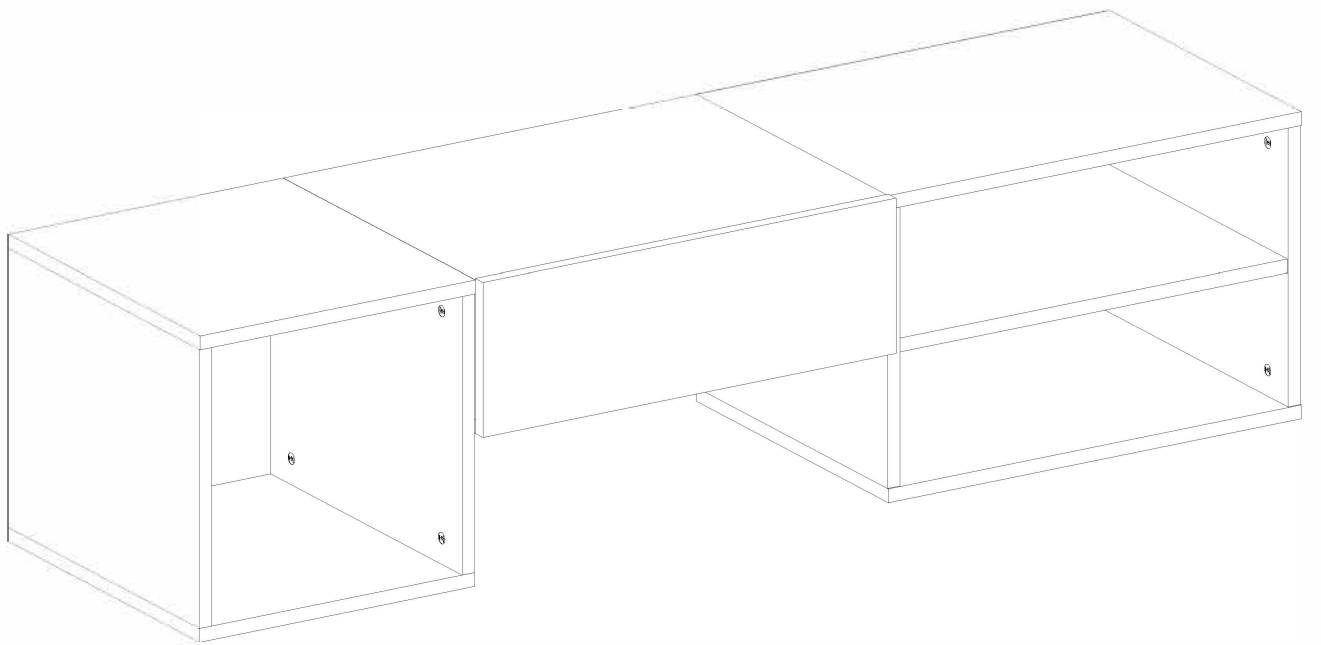


C36		M6x25
		8x
A17		M4
		1x



12





Please contact us about any product related issue. We are honored to support you.

 info@evaandgaby.com