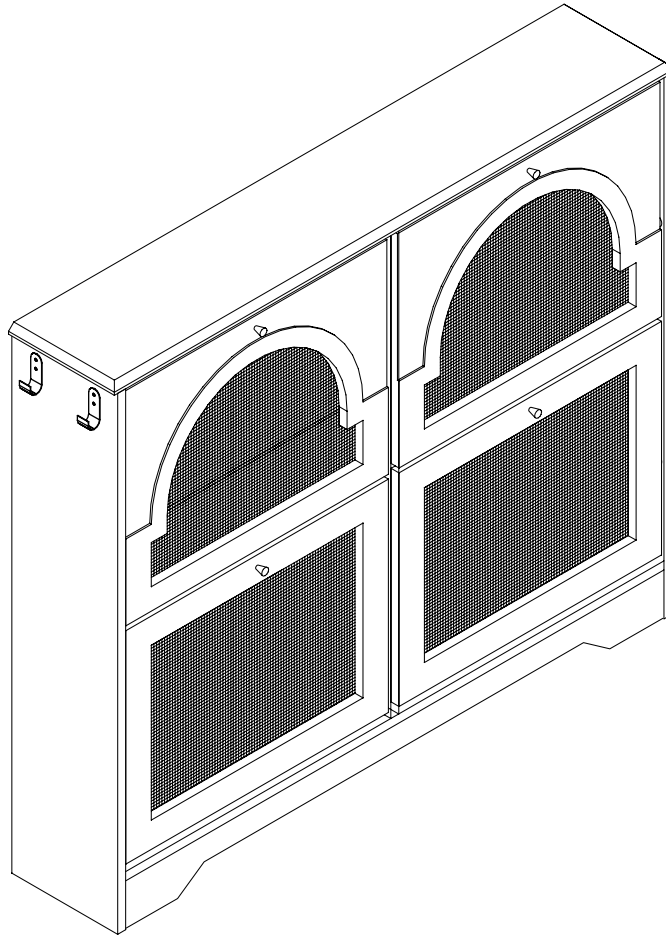


Shoe Cabinet

Assembly Instructions - Please keep for future reference



Dimensions

Width- 42.1 inch

Depth- 8.3 inch

Height- 35.43 inch

Important – Please read these instructions fully before starting assembly



Safety and Care Advice

Important – Please read these instructions fully before starting assembly

- Check you have all the components and tools listed on the following pages.
- Remove all fittings from the plastic bags and separate them into their groups.
- Keep children and animals away from the work area, small parts could choke if swallowed.
- Make sure you have enough space to layout the parts before starting.

- During assembly do not stand or put weight on the product, this could cause damage.
- Assemble the item as close to its final position (in the same room) as possible.
- Assemble on a soft level surface to avoid damaging the unit or your floor.
- Parts of the assembly will be easier with 2 people.



- To reduce the likelihood of damaging your product please ensure that your power drill is set on a low torque setting.

Care and maintenance

- Only clean using a damp cloth and mild detergent, do not use bleach or abrasive cleaners.
- From time to time check that there are no loose screws on this unit.
- This product should not be discarded with household waste. Take to your local authority waste disposal centre.

Handy Hints

- Assemble all parts and bolts loosely during assembly, only once the product is complete should you fully tighten the bolts
- Regularly check and ensure that all bolts and fittings are tightened properly.

WARNING
In order to help prevent overturning – please follow these instructions

To help prevent product toppling over please follow the below steps:-

- Use the anti tip stap or wall fixing method provided (if applicable)
- Do not allow children to climb or hang on the furniture
- Do not open more than one drawer at a time
- Do not place heavy items in the top drawers
- Do not place heavy items on top of the furniture, unless the furniture has been designed for this purpose

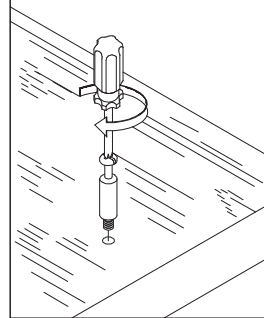
Using Camlocks

Step 1

Connect the male camlock as directed in the assembly instructions using a screwdriver.

1

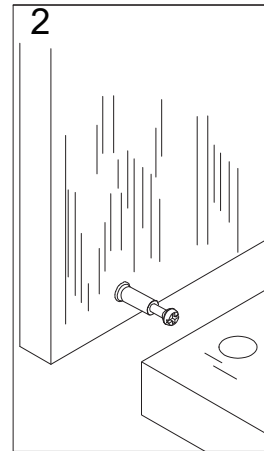
DO NOT OVER TIGHTEN.
NE PAS SERRER EXCESSIVEMENT.



Step 2

Push the male camlock into the entry hole.

2

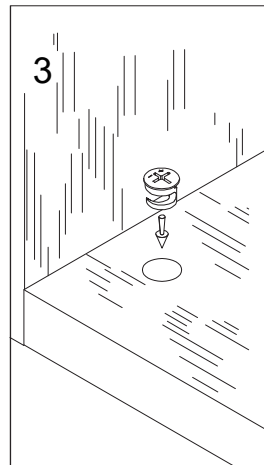


Step 3

Insert the female camlock as shown in the instruction.

Note: ensure that the arrow on the top of the camlock points towards the entry hole for the male camlock.

3



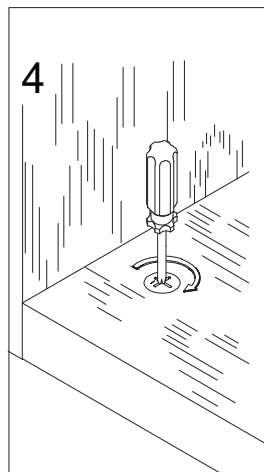
Step 4

Turn the female camlock clockwise with a screwdriver.

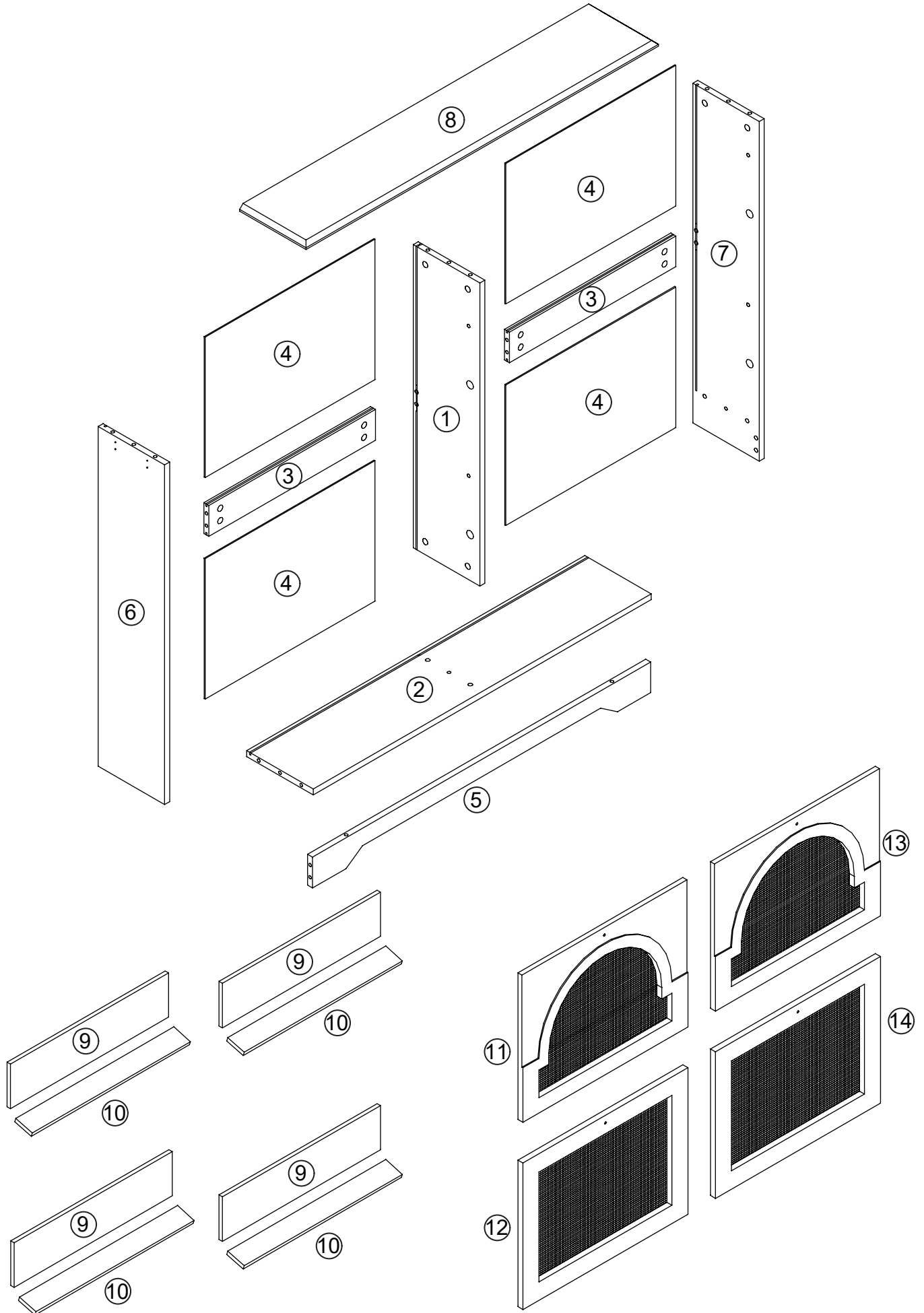
You should feel a click when the camlock is locked in place.

The joint is now secure.

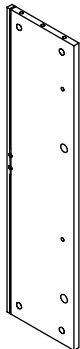
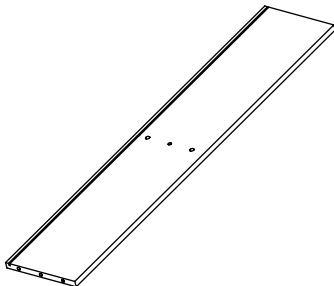
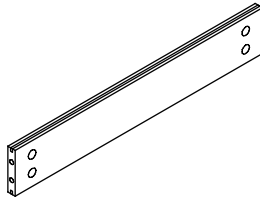
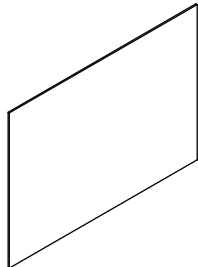
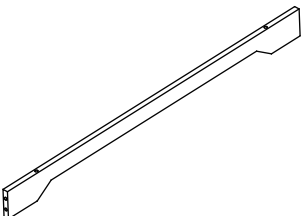
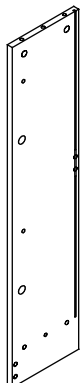
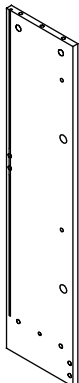
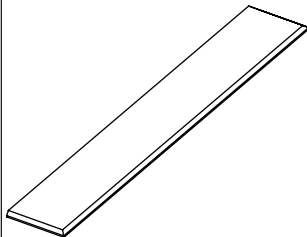
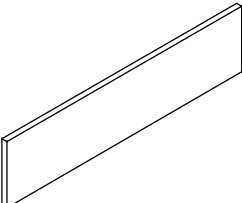
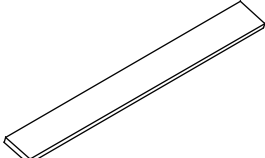
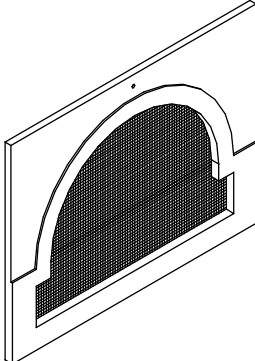
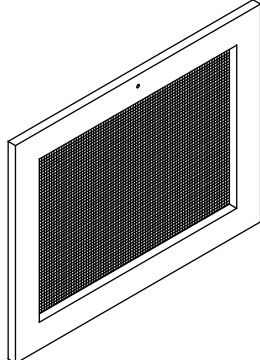
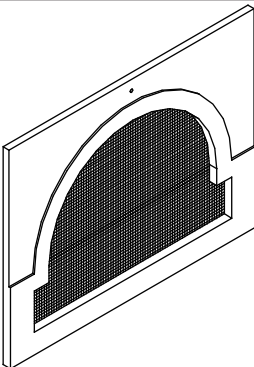
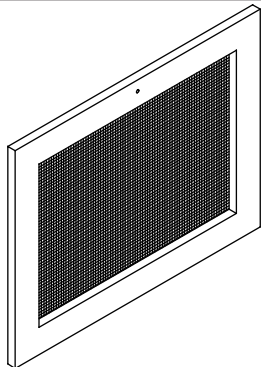
4



Assembly Instructions



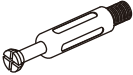

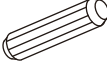



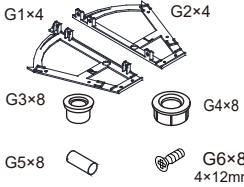


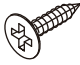
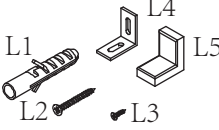

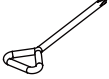
Assembly Instructions

			
790*200*15mm	1017*200*15mm	501*80*15mm	511*366*3mm
① X1	② X1	③ X2	④ X4
			
1017*80*15mm	885*200*15mm	885*200*15mm	1060*200*15mm
⑤ X1	⑥ X1	⑦ X1	⑧ X1
			
490.5*135*12mm	490.5*60*12mm	496*382*15mm	496*382*15mm
⑨ X4	⑩ X4	⑪ X1	⑫ X1
			
496*382*15mm	496*382*15mm		
⑬ X1	⑭ X1		

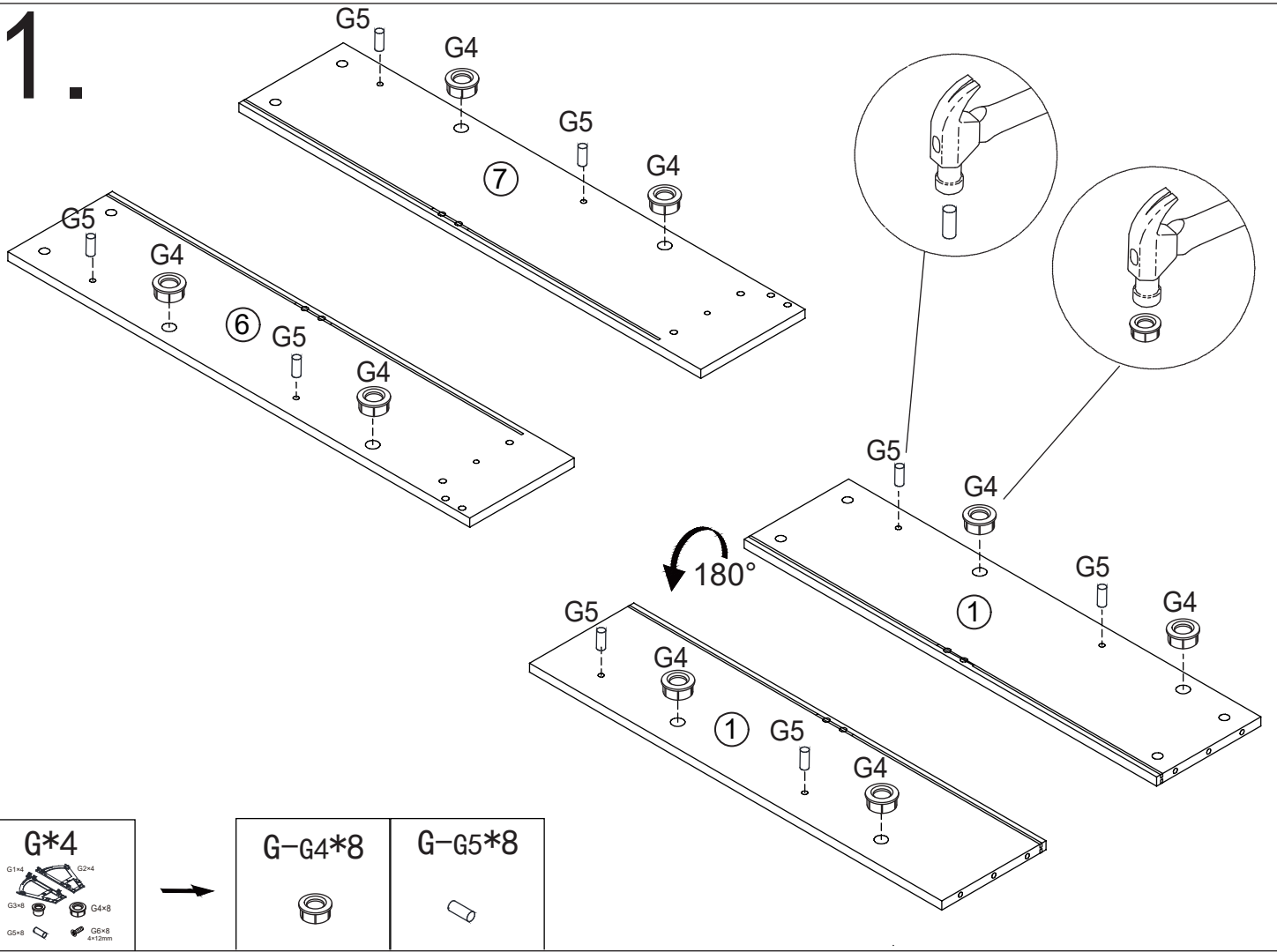
Components-Fittings

Please check you have all the panels listed below

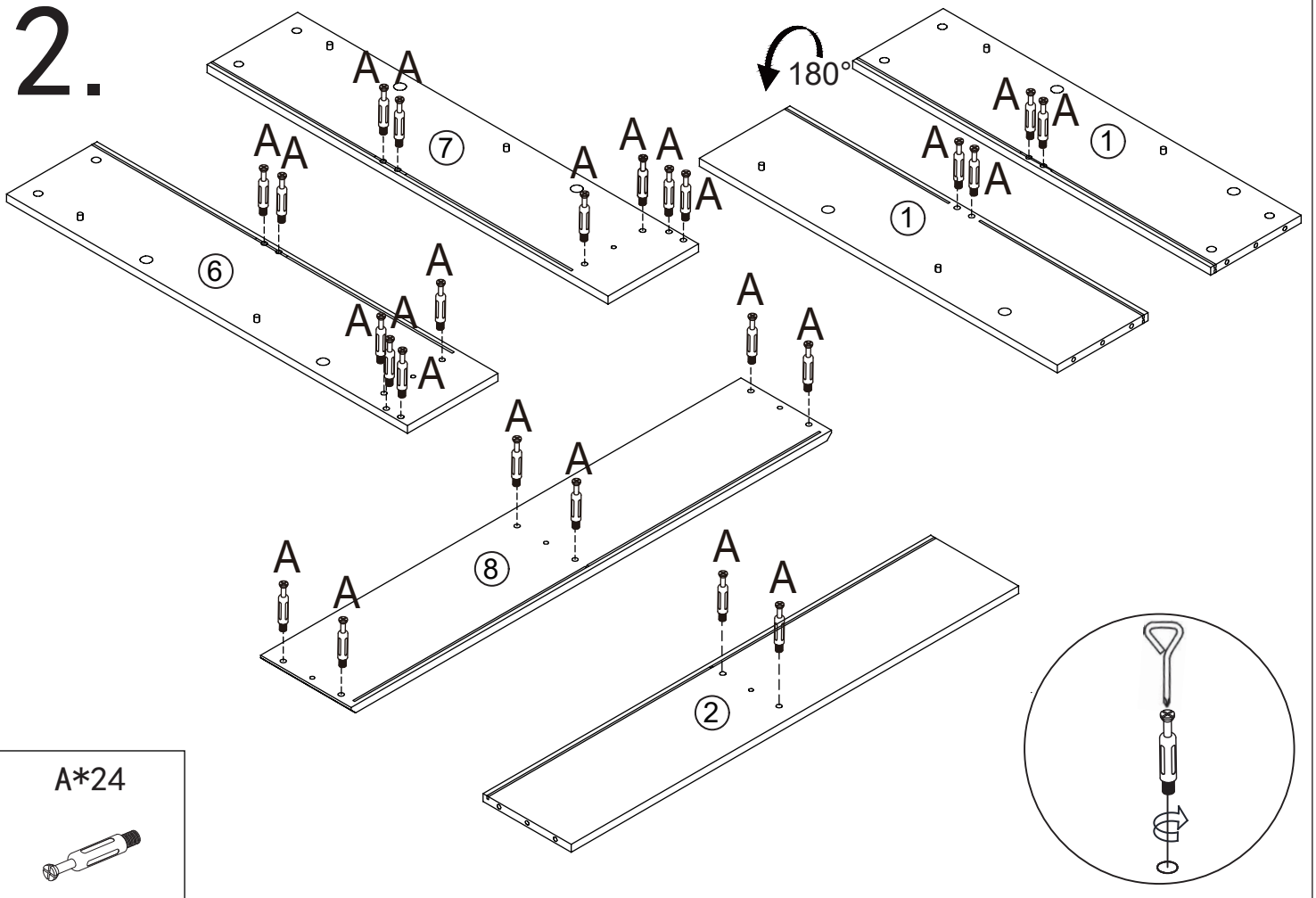
Note: The quantities below are the correct amount to complete the assembly. In some cases more fittings may be supplied than are required.

<p>(A)</p>  <p>Cam Bolt x 24+2</p>	<p>(B)</p>  <p>Cam Lock x 24+2</p>	<p>(C)</p>  <p>8*30mm Dowel x 8+2</p>	<p>(D)</p>  <p>Handle x 4</p>
<p>(E)</p>  <p>4*15mm Screw x 2+1</p>	<p>(F)</p>  <p>4*18mm Screw x 2+1</p>	<p>(G)</p>  <p>Tipping shoe rack x 4 set</p>	<p>(H)</p>  <p>Hook x 2</p>
<p>(J)</p>  <p>Back panel buckle x 24+2</p>	<p>(K)</p>  <p>3.5*14mm Screw x 84+5</p>	<p>(L)</p>  <p>Anti dumping x 2 set</p>	<p>(M)</p>  <p>felt x8+2</p>
<p>(N)</p>  <p>Screwdriver x 1</p>			

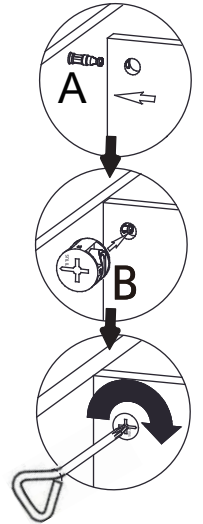
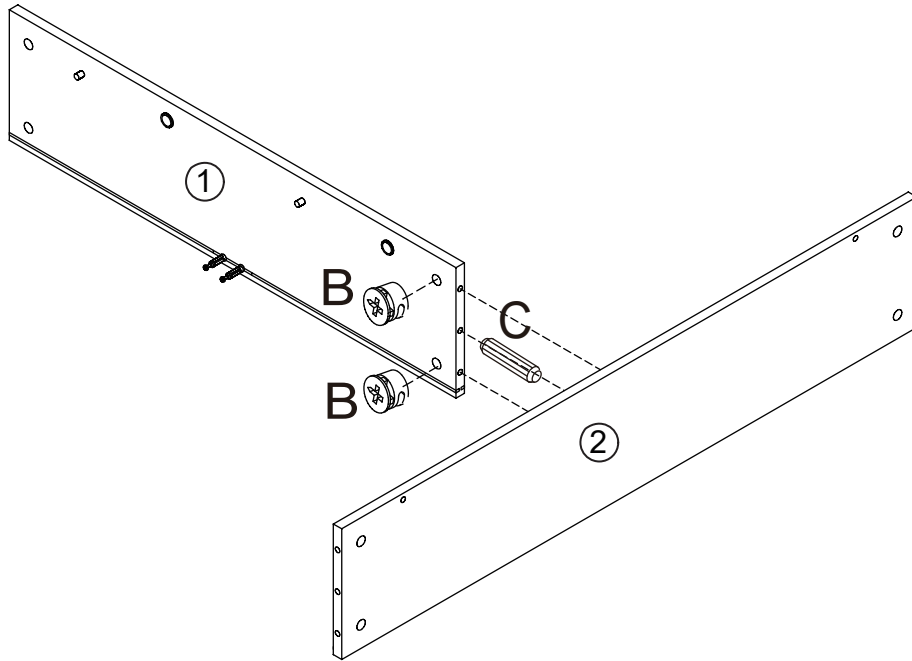
1.



2.



3.



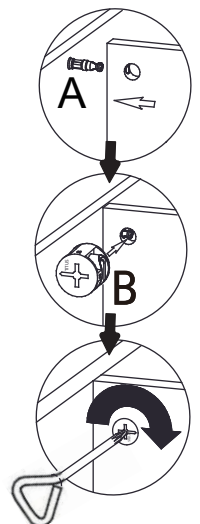
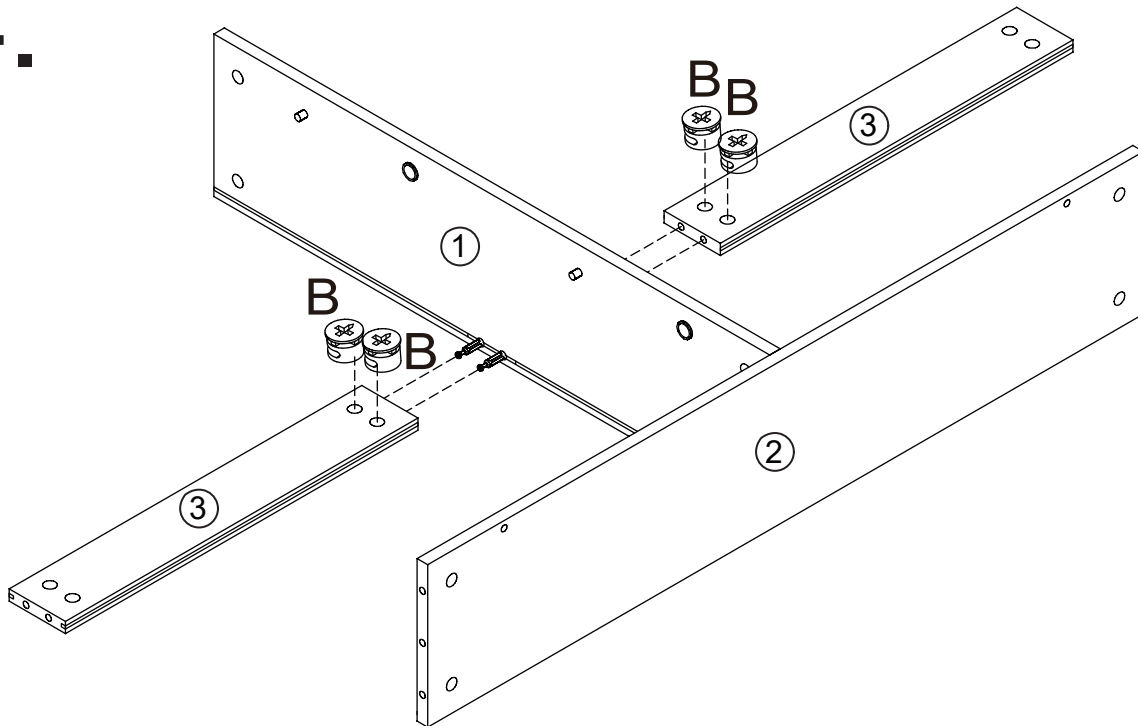
B*2



C*1



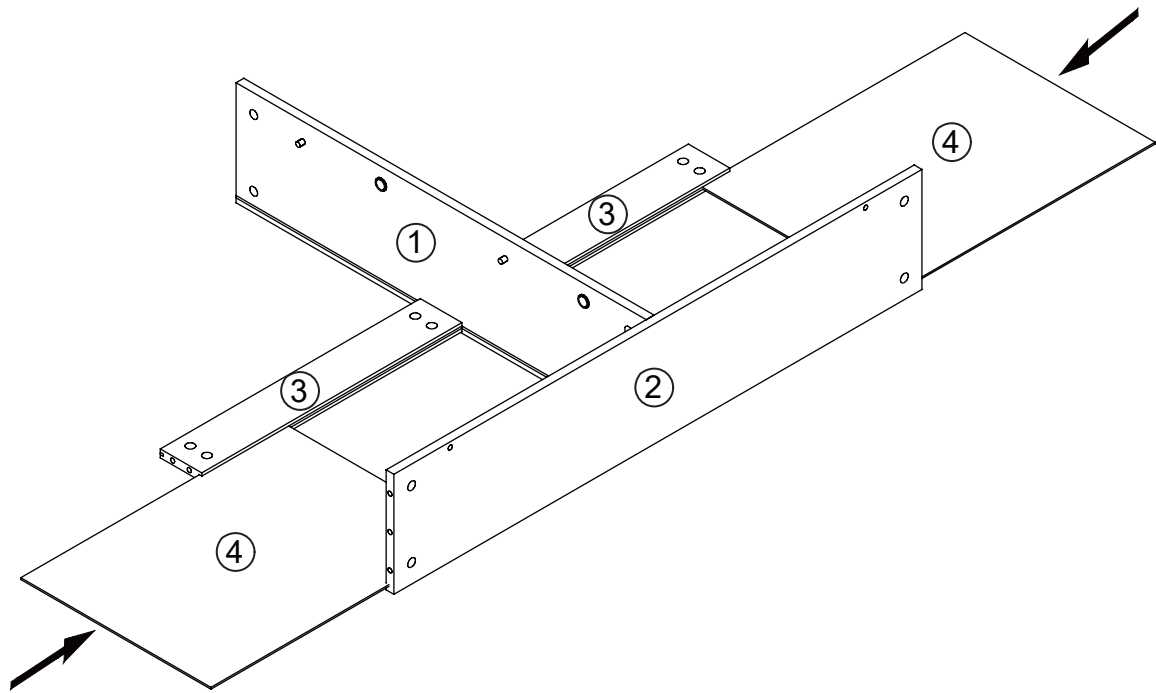
4.



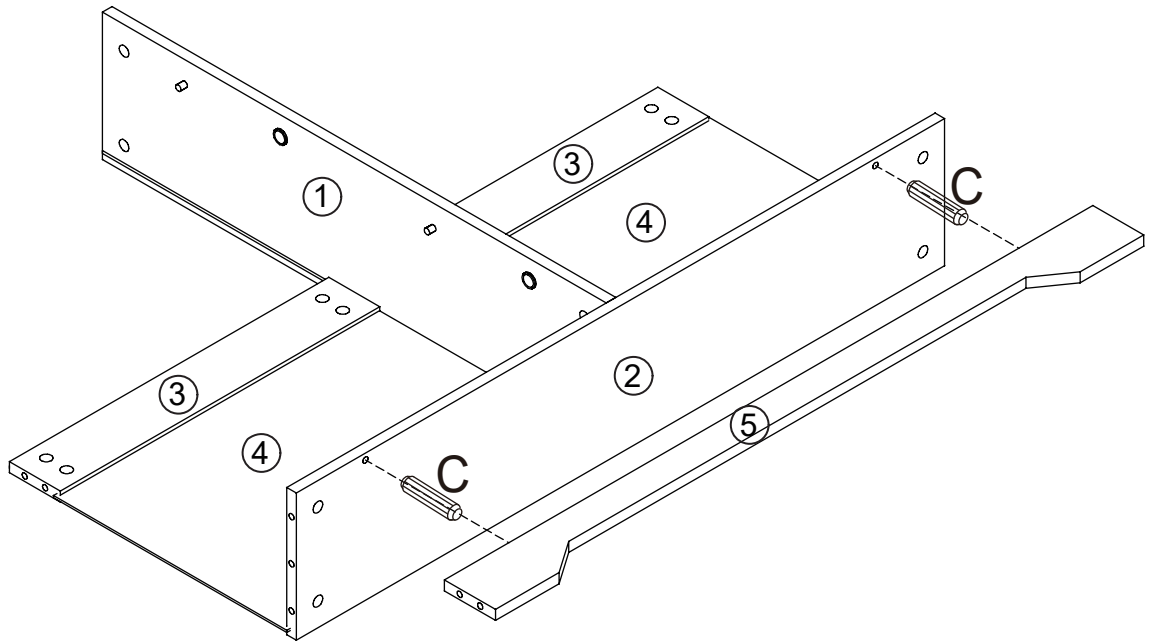
B*4



5.



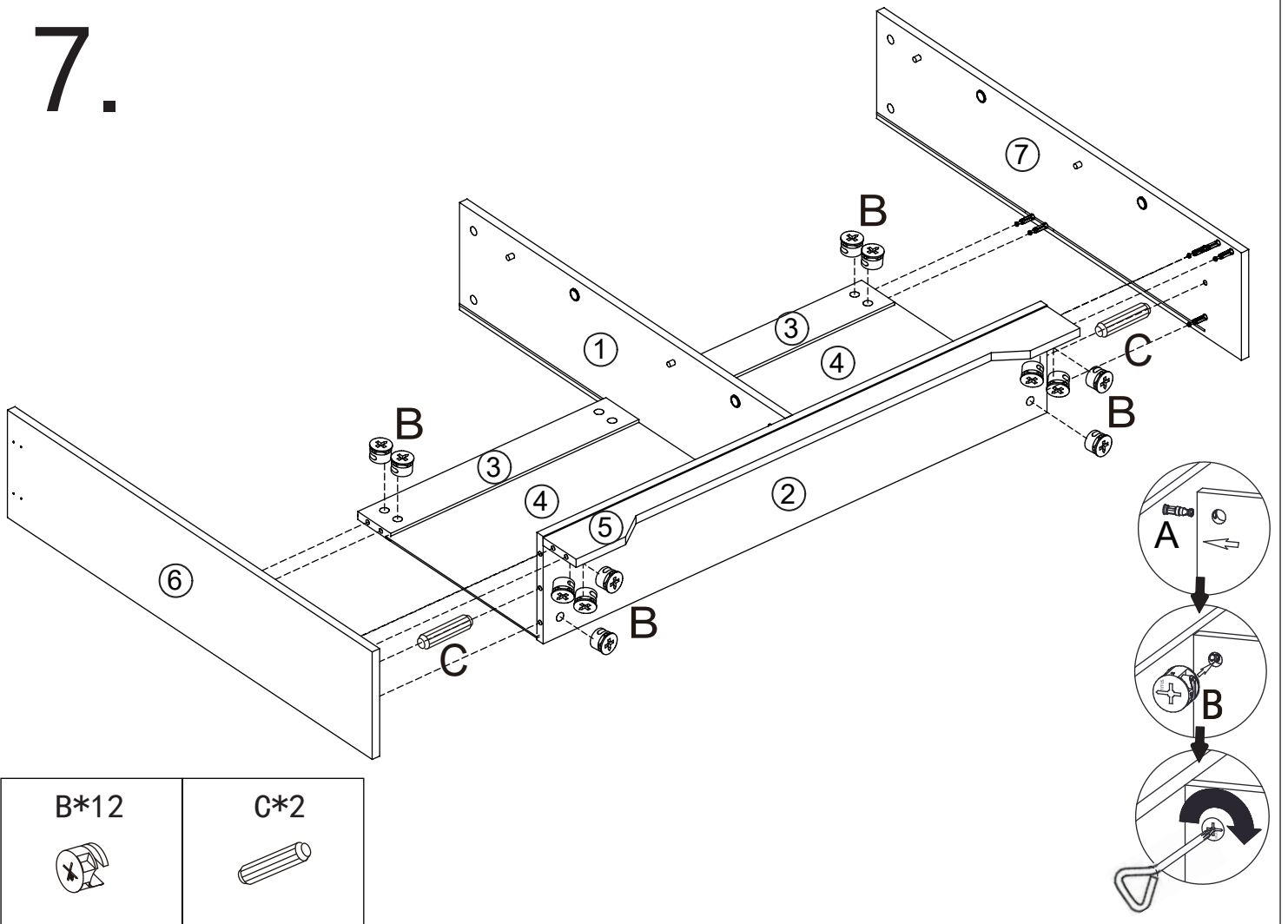
6.



C*2



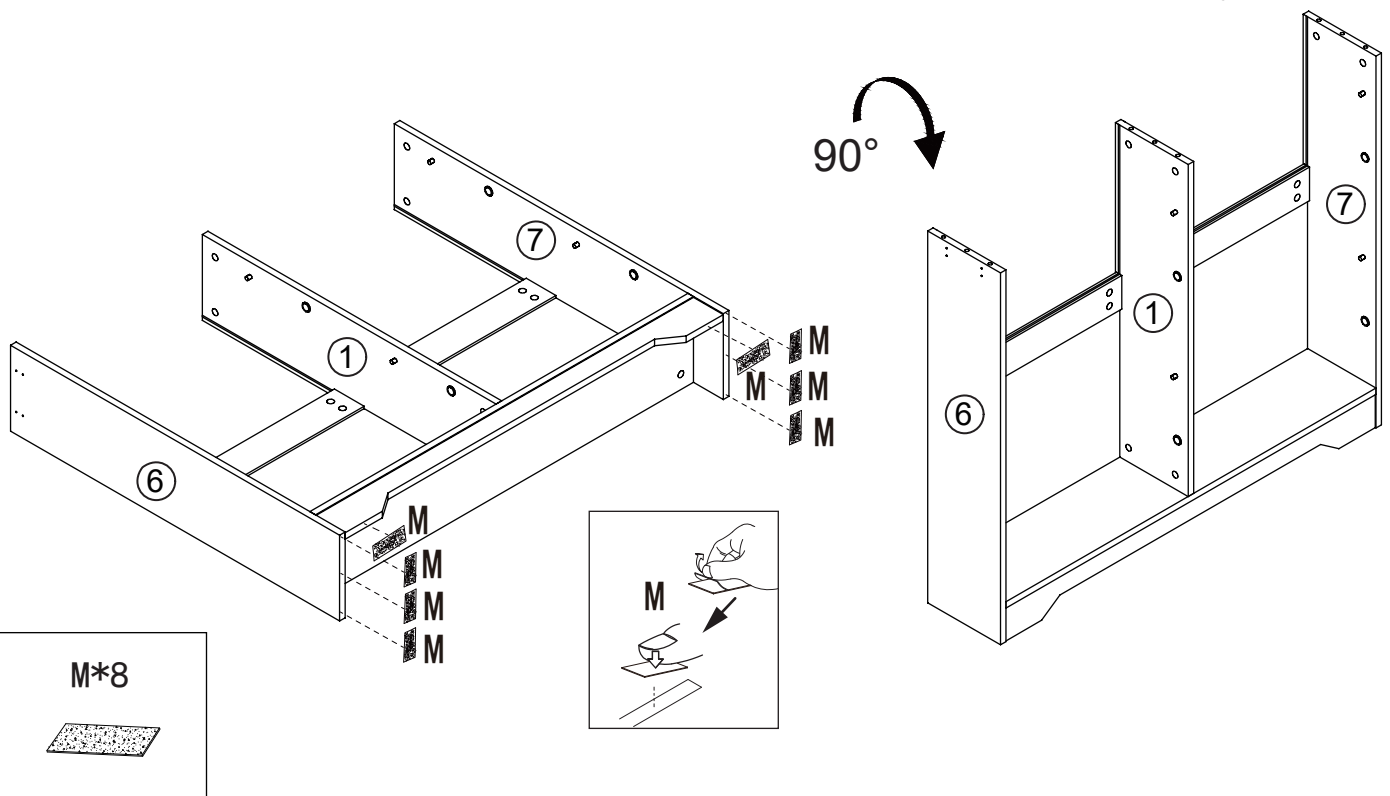
7.



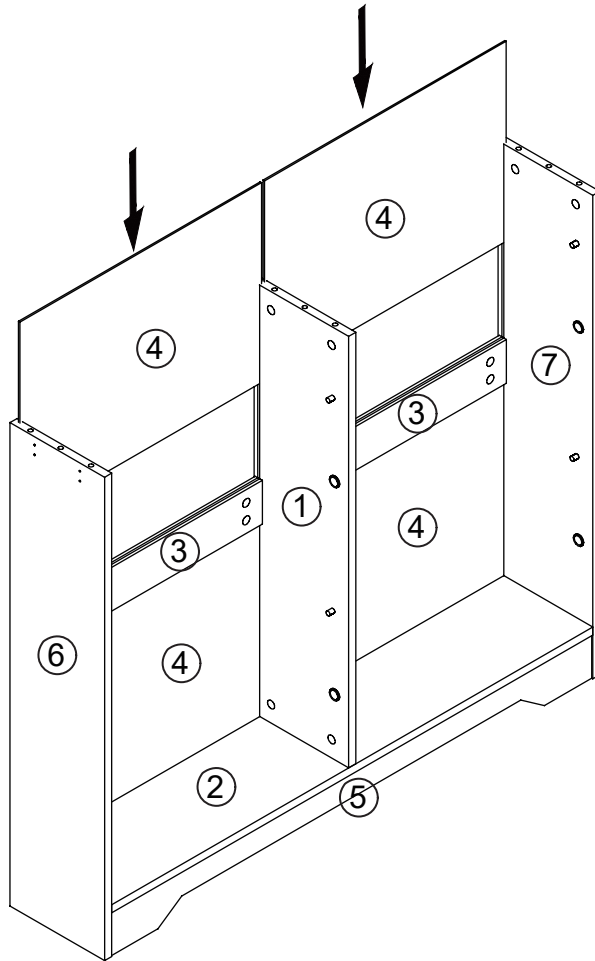
8.

It's better if two people work together on this step.

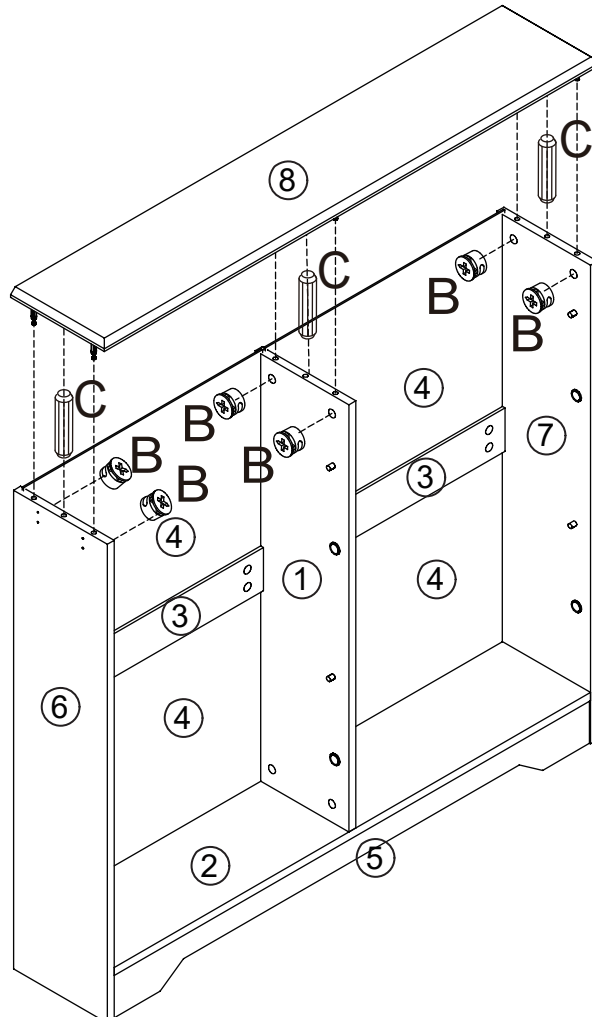
Please flip carefully!



9.



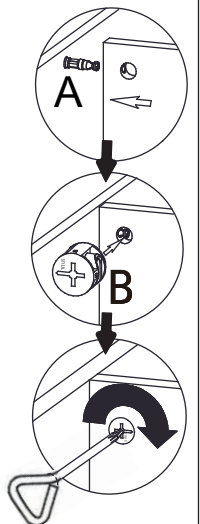
10.



B*6

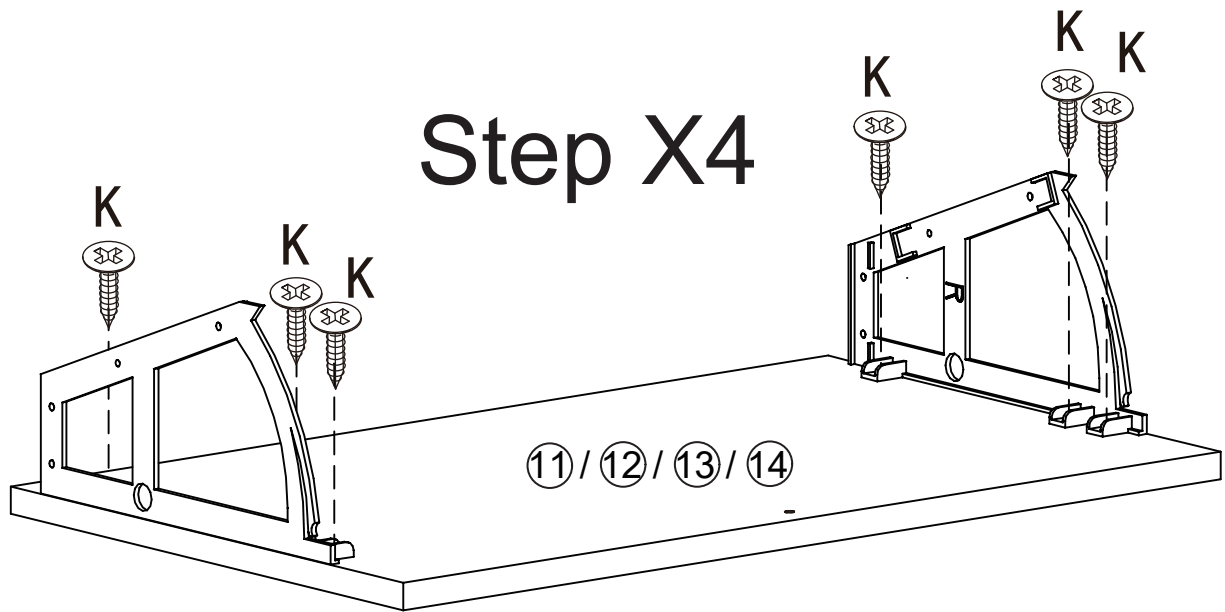


C*3



11.

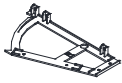
Step X4



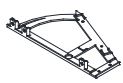
K*24



G1*4

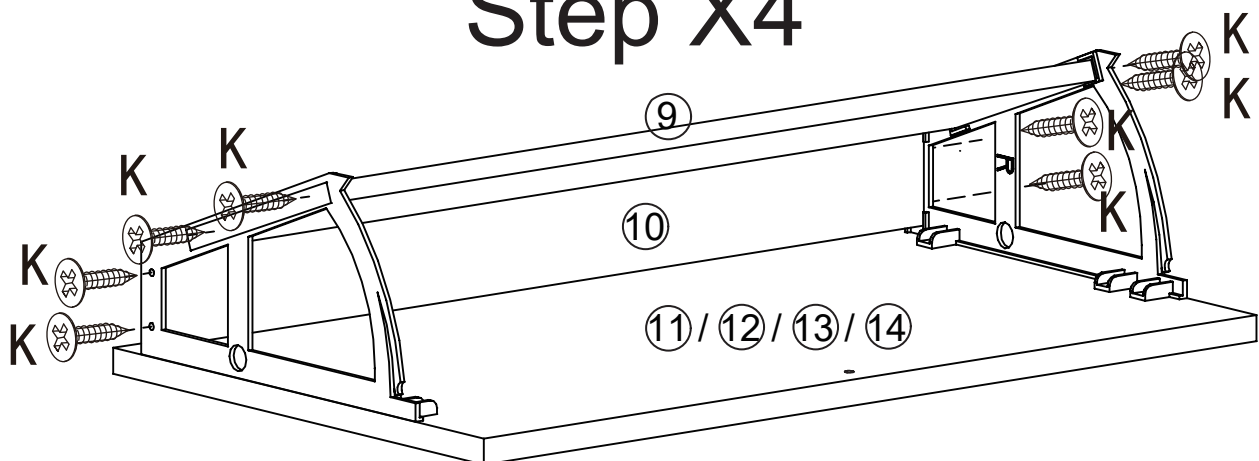


G2*4



12.

Step X4

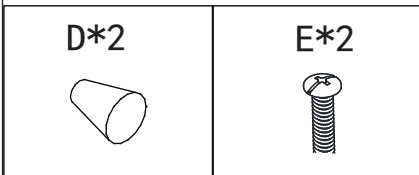
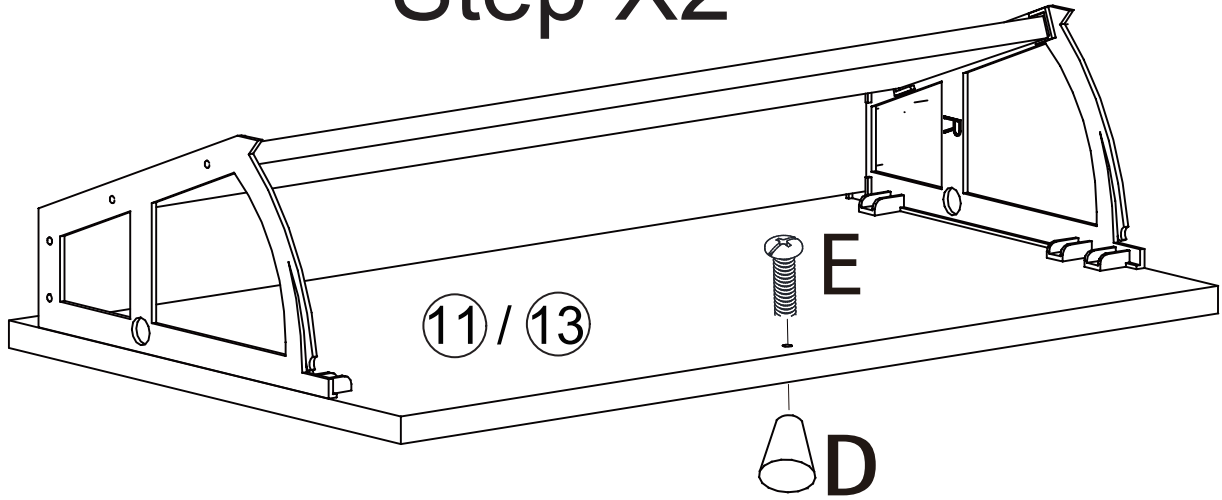


K*32



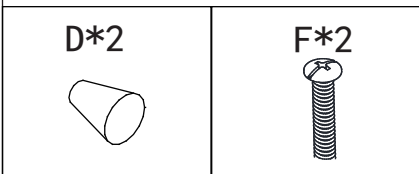
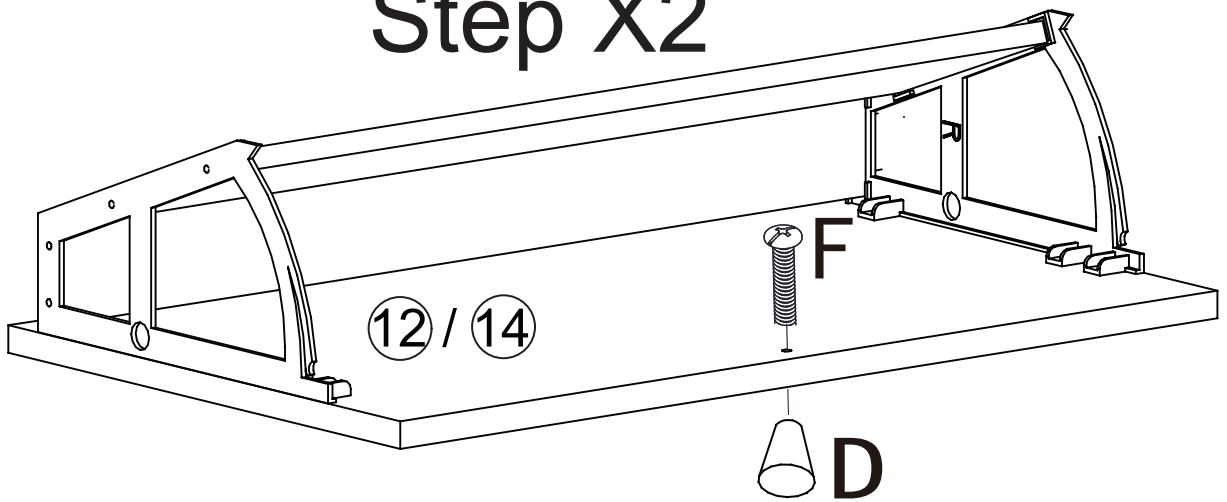
13.

Step X2

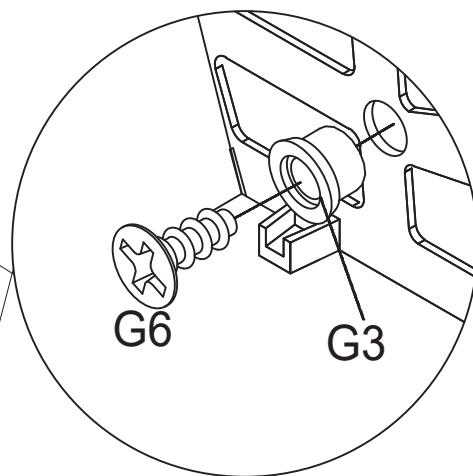
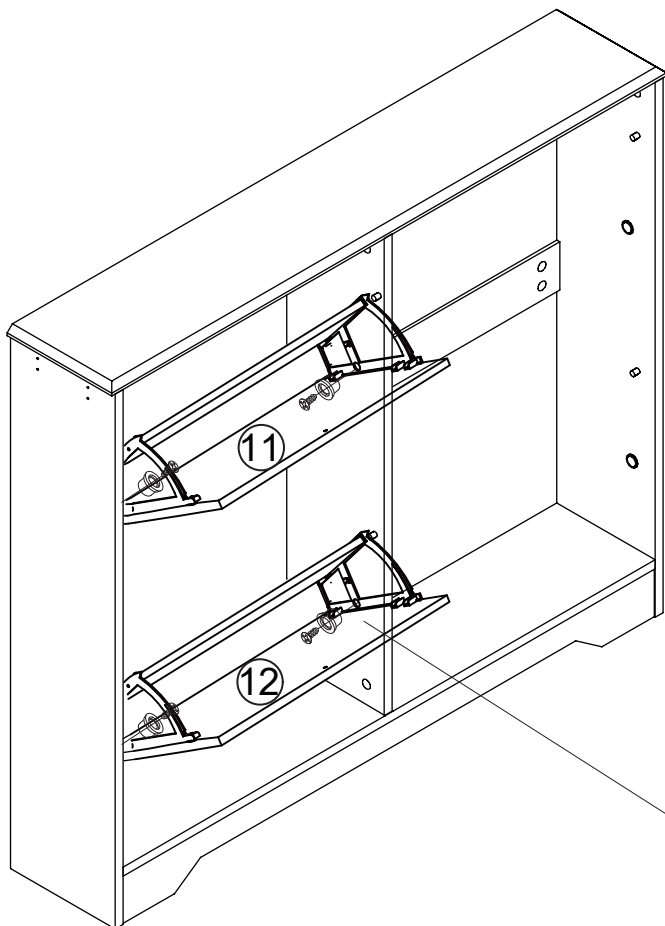


14.

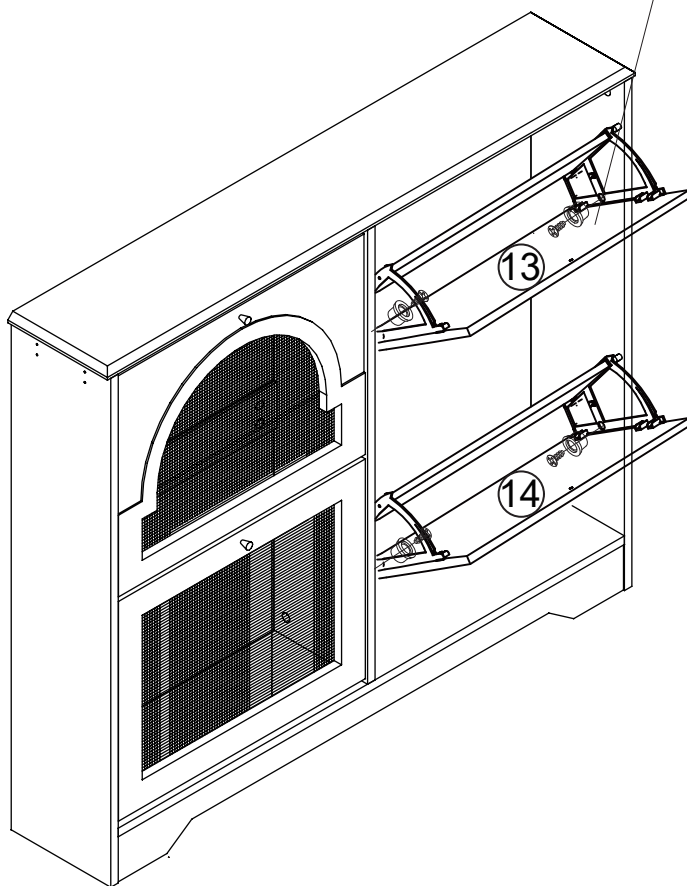
Step X2



15.



First connect "G3" to the embedded "G4" through the shoe frame, and then use "G6" to fix the whole to the cabinet.



G-G6*8

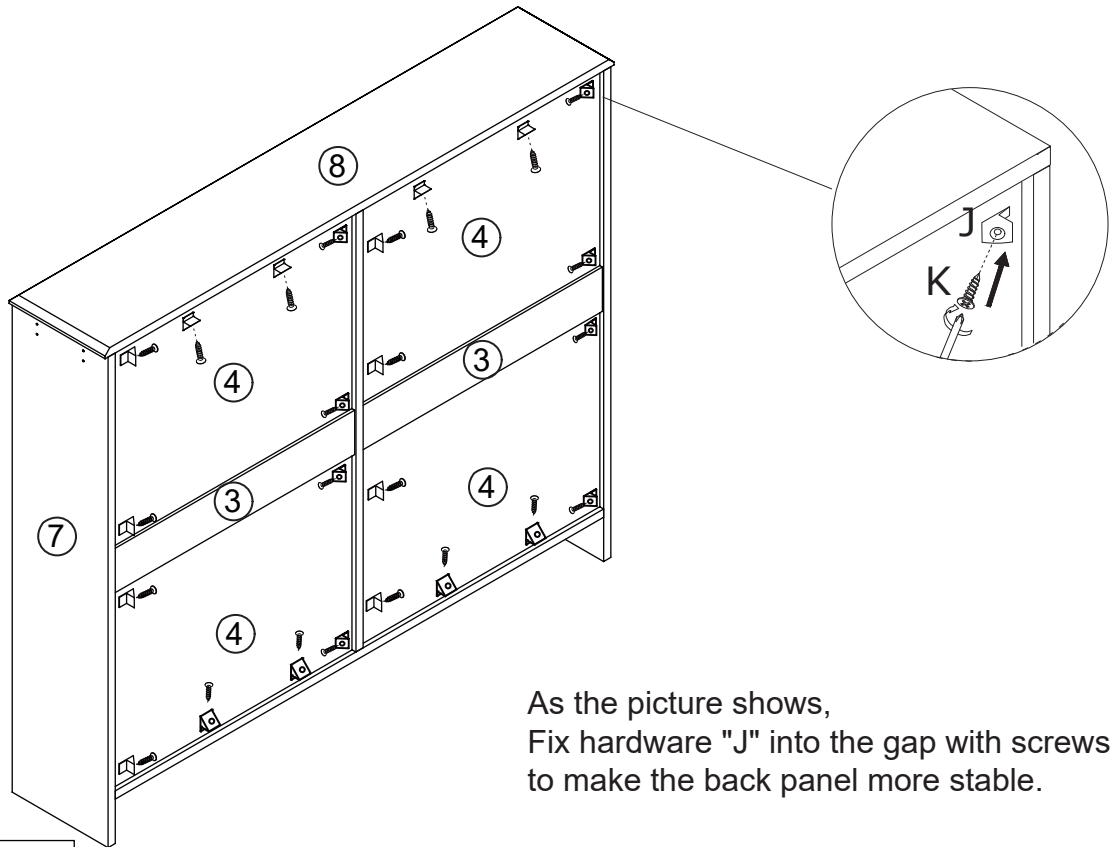


4×12mm

G-G3*8



16.



As the picture shows,
Fix hardware "J" into the gap with screws
to make the back panel more stable.

K*24

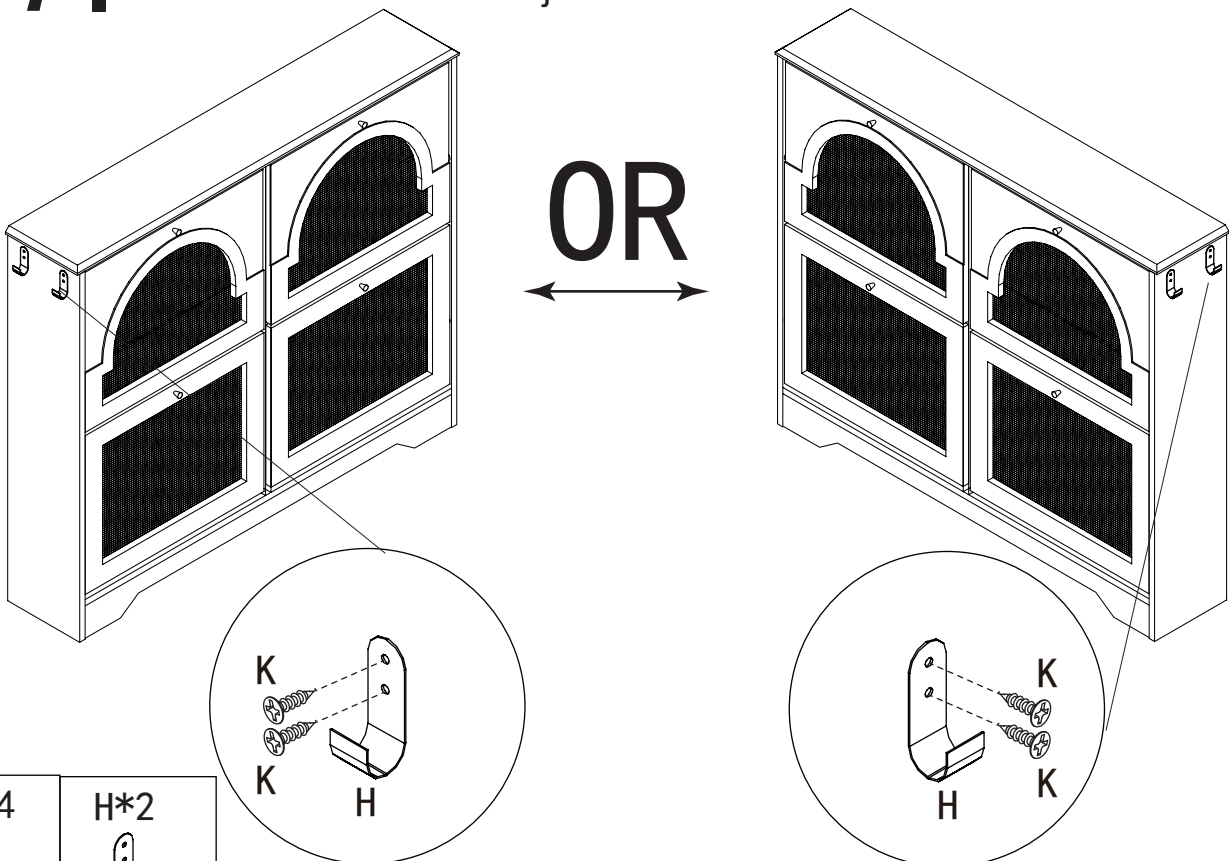


J*24



17.

The installation position of the hook
can be adjusted as needed



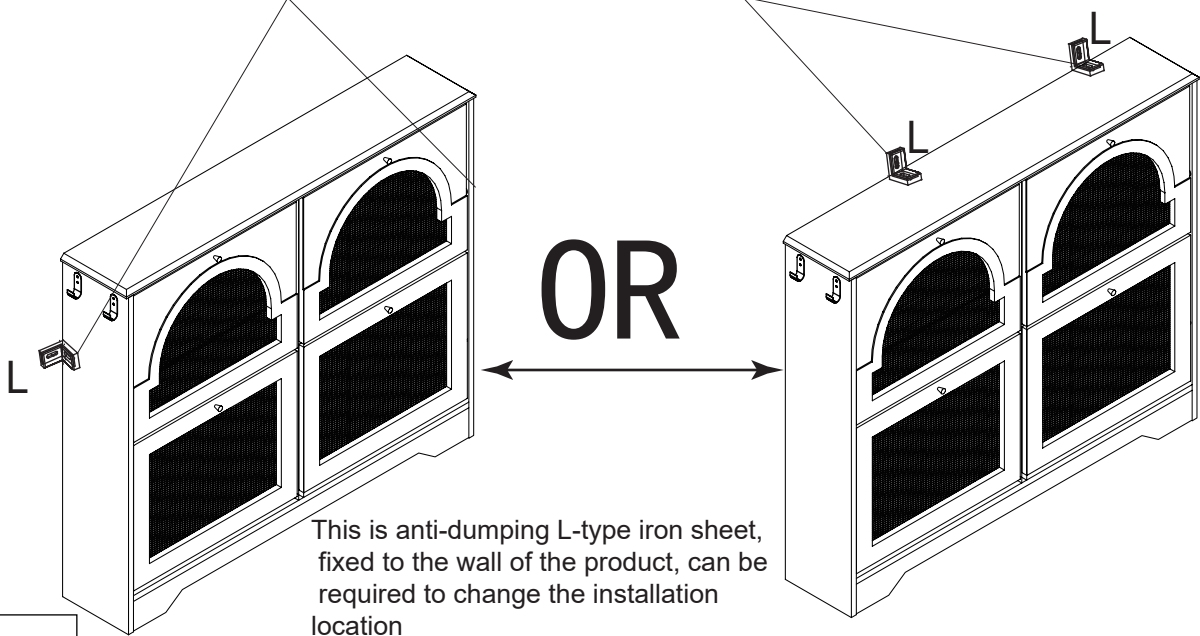
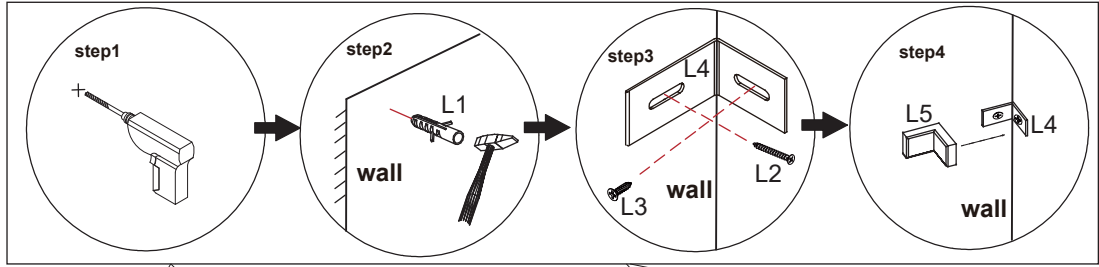
K*4



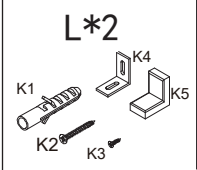
H*2



18.



This is anti-dumping L-type iron sheet, fixed to the wall of the product, can be required to change the installation location



19.

