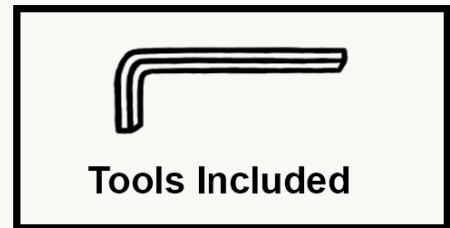
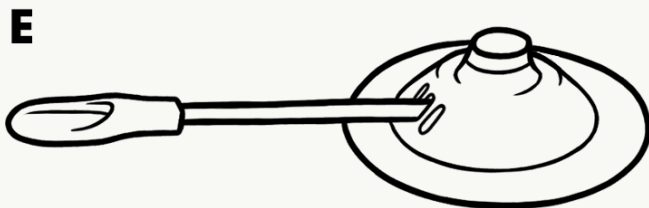
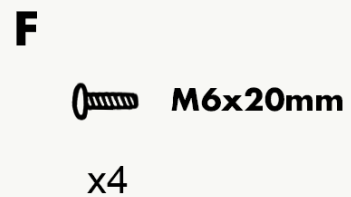
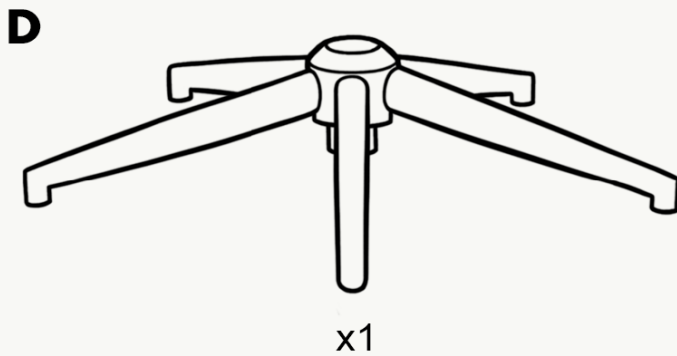
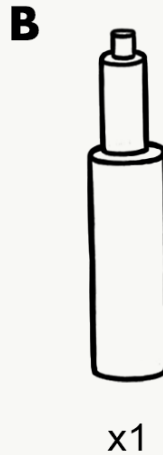
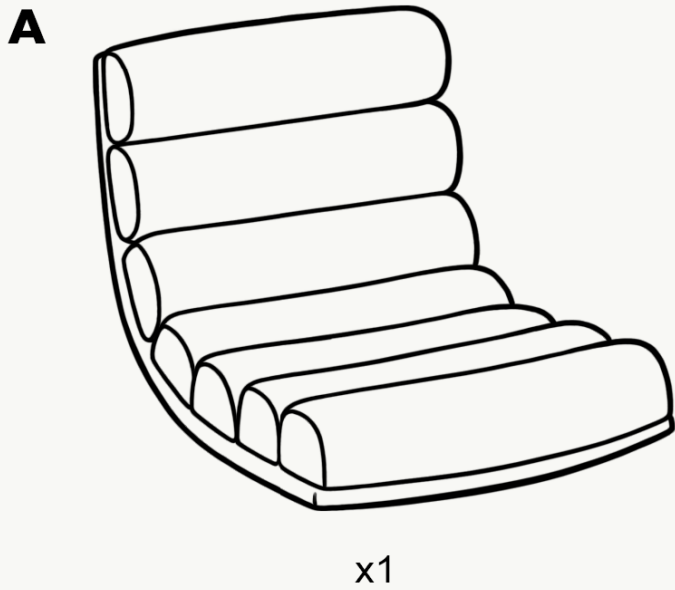


# INSTRUCTION MANUAL



# Instructions side 1

2 people recommended  
for assembly



**Note:** screws may loosen over time and so should be tightened every 3–6 months.

**Dimensions** ( $\pm 3\text{cm}$ )

Back width: 40cm

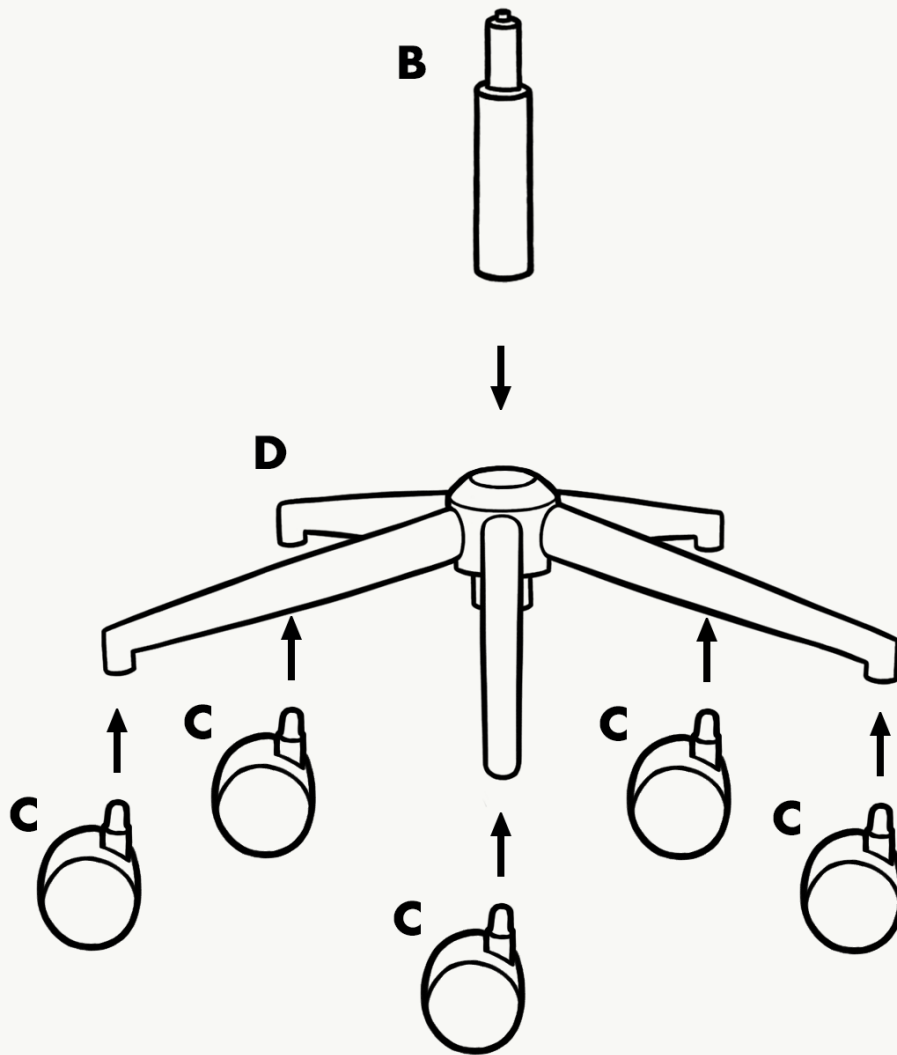
Chair height: 75~84cm

Seat height: 49~58cm

Weight limit: 120kg

**1**

**Insert\* gas lift (B) into star base (D). Pop wheels (C) into sockets in D**



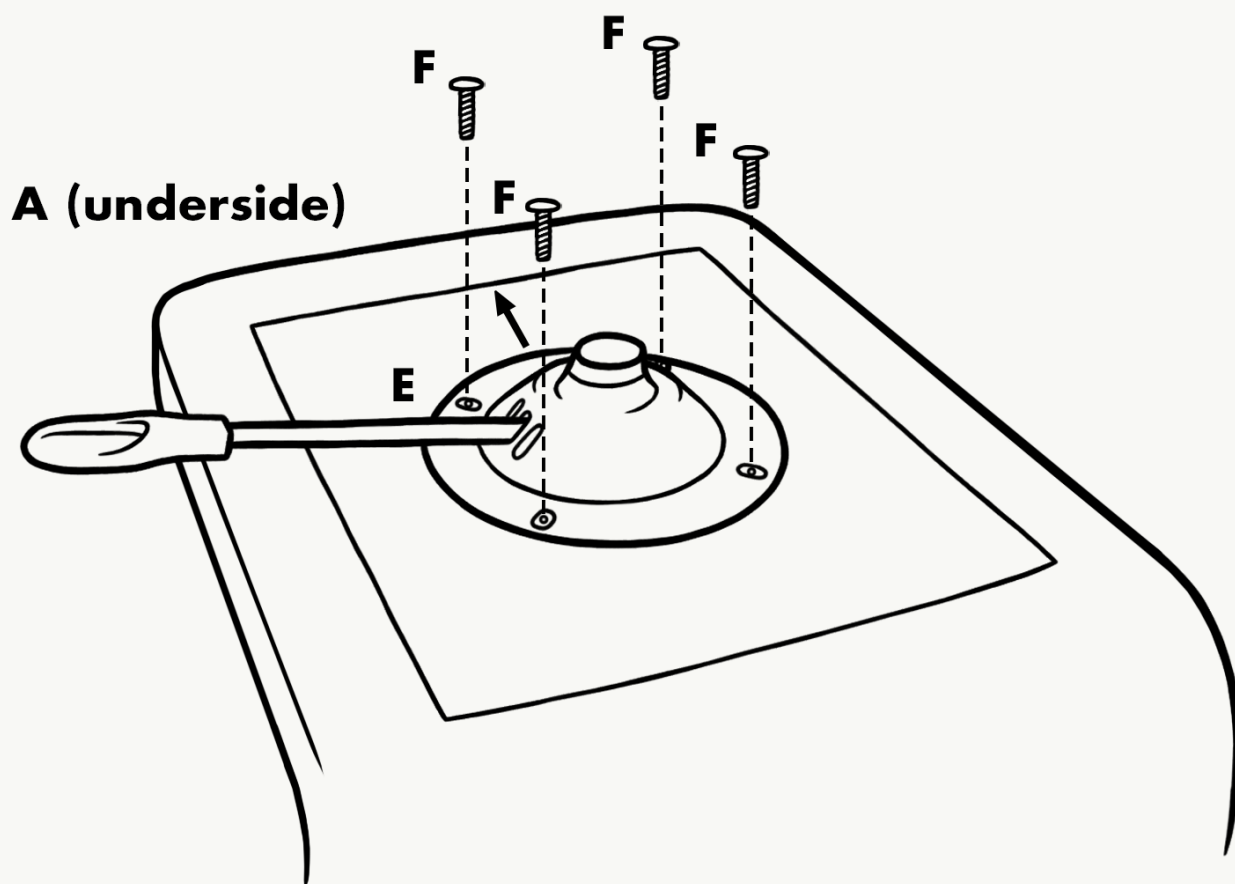
\*No adhesive required. The gas lift will become secure in the star base when the seat is attached and sat on.

**Parts needed in step 1:**

<b>Gas lift (B)</b>	x1
<b>Star base (D)</b>	x1
<b>Wheels (C)</b>	x5

## Instructions side 2

- 2** Attach metal plate (E) to bottom of seat (A).  
Make sure that the arrow faces the front

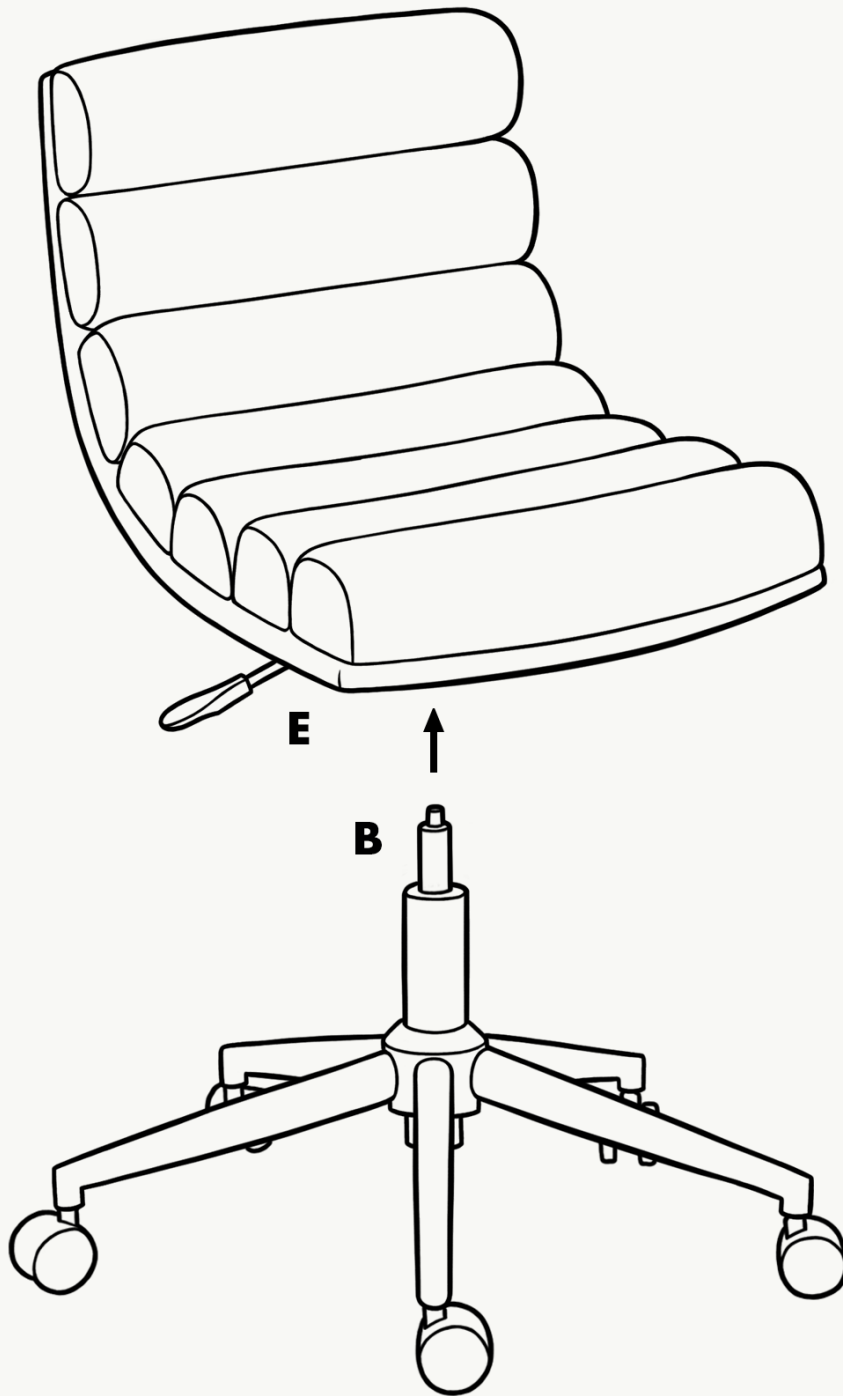


### Parts needed in step 2:

Seat (A)	x1
Metal plate (E)	x1
Screws (F)	x4

**3**

**Insert top of gas lift (B) into hole in metal plate (E)**



**Parts needed in step 3:**

**Completed step 1** x1

**Completed step 2** x1