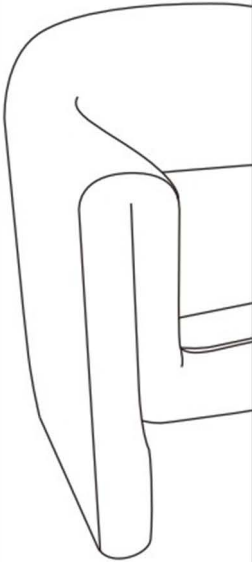


Owner Manual



WARRANTY

We strive to offer high quality product and we also try our best to satisfy each customer that order from us, no matter on products or services as needed. Each customer receives a record of their order, such as the order number or item receipt. For any items that are out of warranty period, you may still be able to purchase the replacement parts from our company if they are available.



MAINTENANCE AND WARNING

Please read the manual thoroughly
before you start installing.

Please keep the product away from
sharp object.

Packaging and small parts may have
chocking hazard, please keep them away
from children and pets.

Please clean the product according to each
clean code, check the product description
for more information.

Please keep the product away from
fire.

If you have any other questions, please
contact us, we will be glad to help you out.

If the product is placed under direct
sunlight, the pattern or color might fade
away overtime.

Check the product periodically to make
sure everything is secured and tightened.

Always use proper tools for installation.

Do not jump on the product.



Around 10 min

PRODUCT DESCRIPTION

Boucle fabric or Velvet: Choose from soft Velvet or textured Boucle fabric for a luxurious touch.

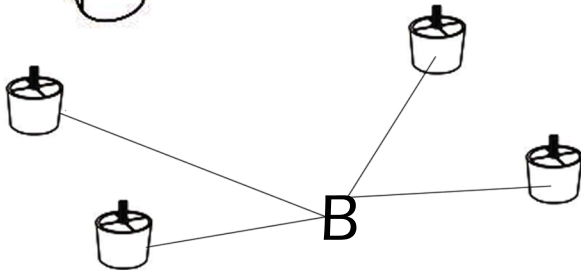
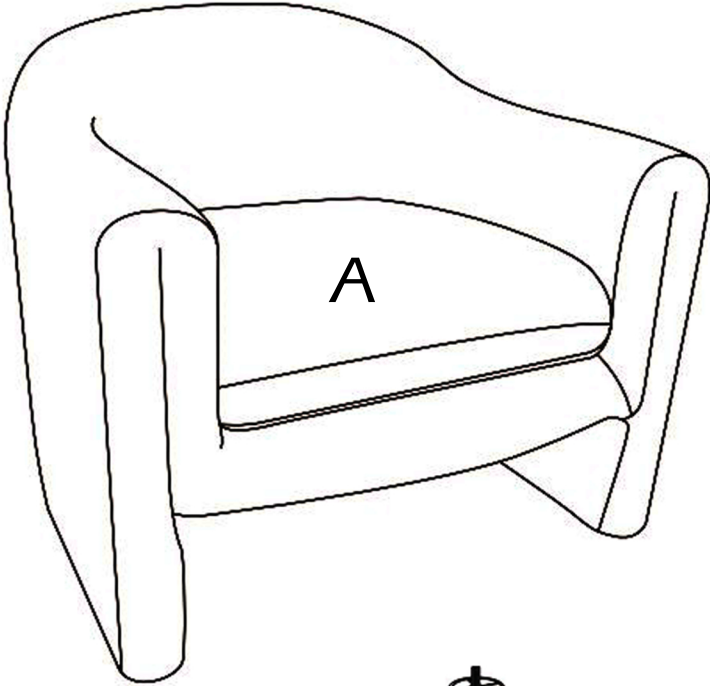
Solid Wood Construction: Crafted from solid wood and engineered wood, the chair boasts impressive durability with a weight capacity of up to 400 lbs.

Quick Assembly: Set up in minutes—just attach four legs and enjoy.

Set of 2 Accent Chairs: This two set of chair are shipped in two boxes and may arrive at different times.

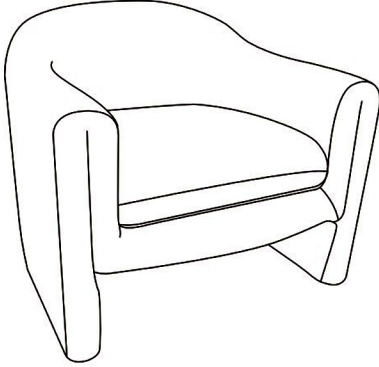
Versatile Use: Perfect for living rooms, bedrooms, or as a reading chair.

EXPLODED VIEW



PARTS

A*1



Seat frame

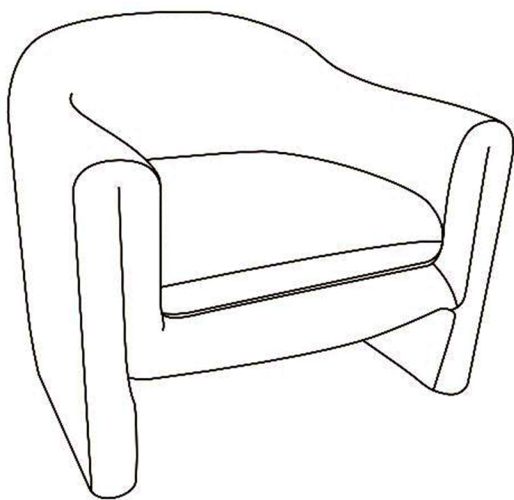
B*4



Plastic legs

step 1

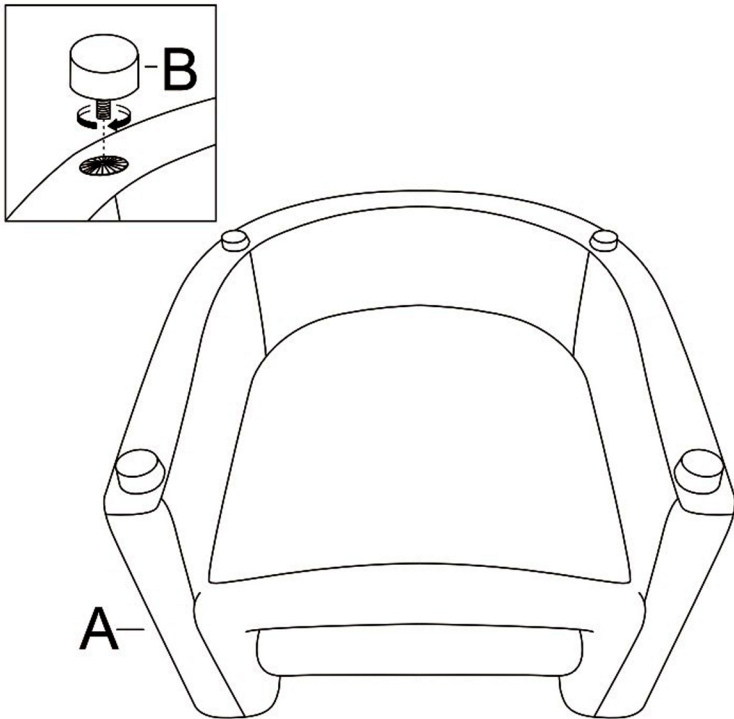
Take out all the parts from the box and place them on the ground.



* You may place a rug or some covers underneath the seatframe, in order to protect your floor and the product.

step 2

Twist all four legs (B) into the hole on the bottom of the ottoman seat frame (A) as shown, make sure they are fully tightened.



step3

Congratulations!the assembly is complete,thank you for choing our product!please enjoy!

