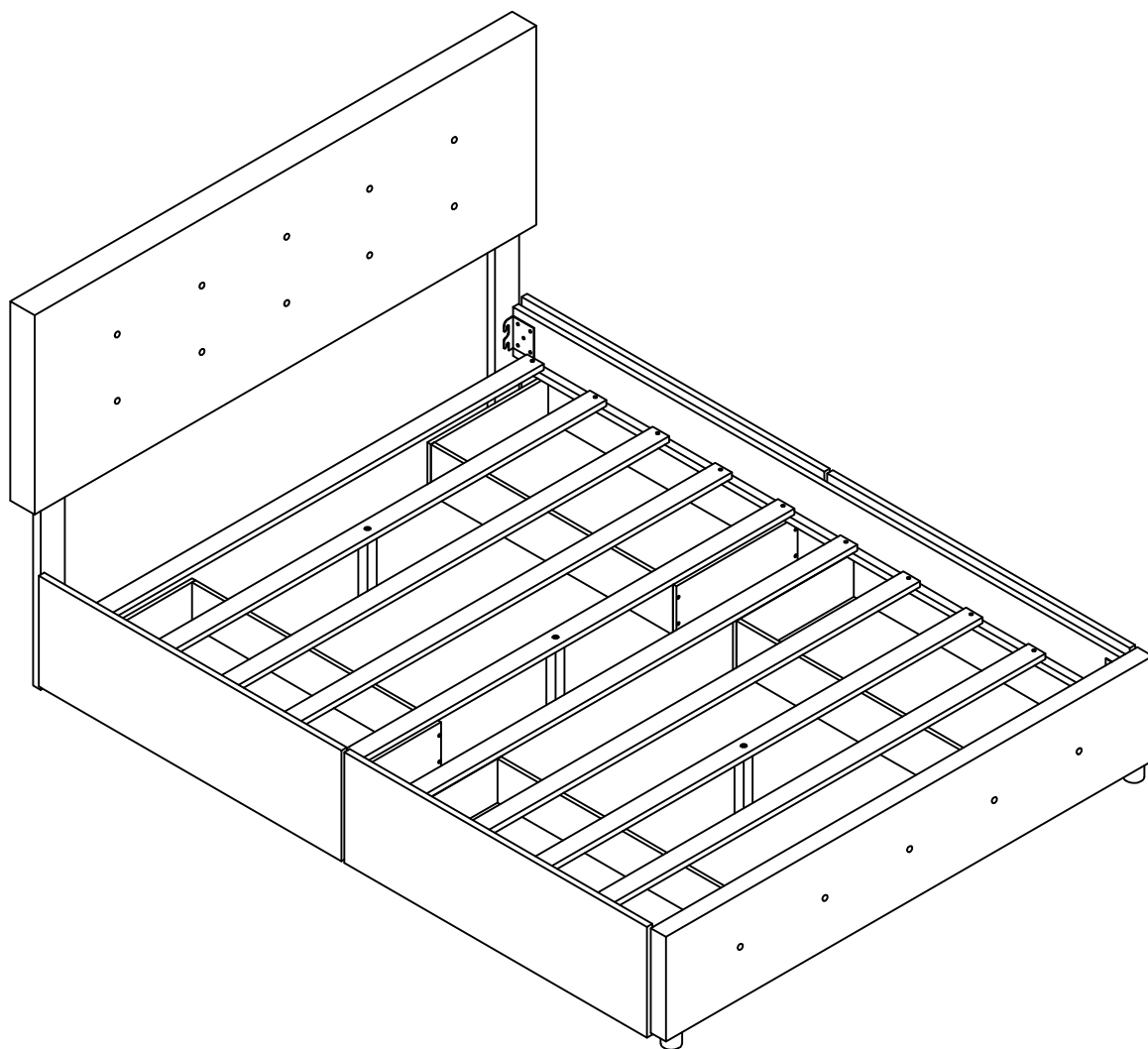
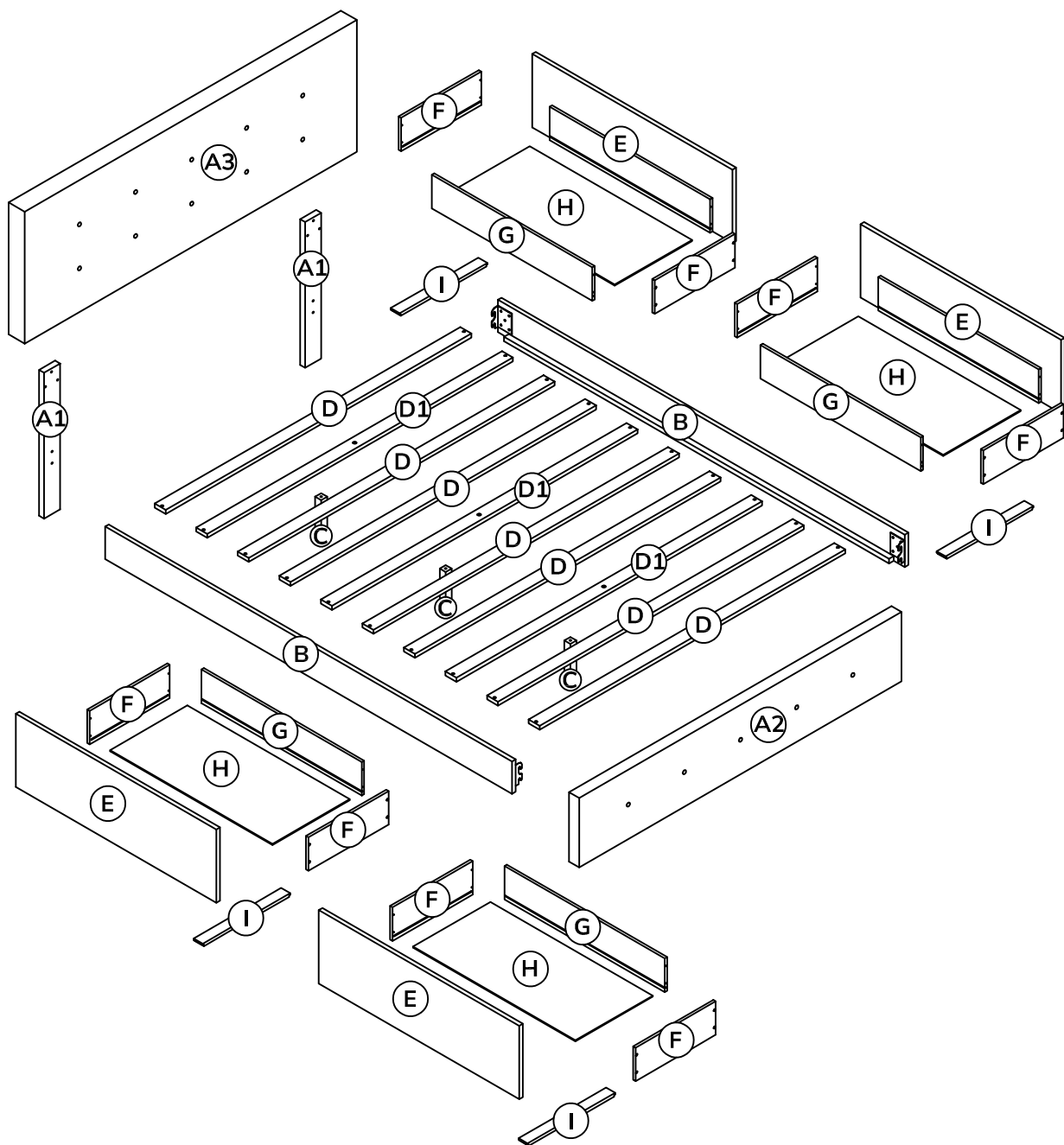


ASSEMBLY INSTRUCTION



ASSEMBLY INSTRUCTION



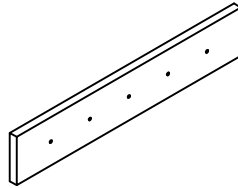
Part List

A1



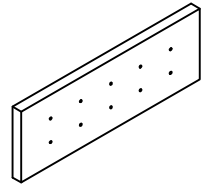
Leg (HB Font) - 2pcs

A2



FB Frames - 1pcs

A3



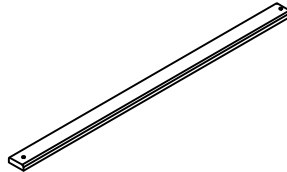
HB Frames - 1pcs

C



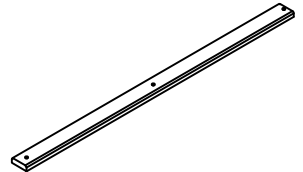
Support Leg - 3pcs

D



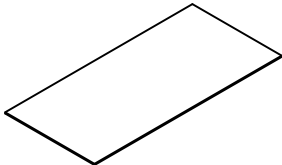
Slats - 7pcs

D1



Slats Mount Leg- 3pcs

H



Drawers - Bottom Panel - 4pcs

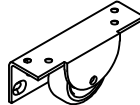
Hardware List

1



Plastic Feet(50x40)
2pcs

2



Wheels 16pcs

3



M4 x 15 mm
Wood Screws 40pcs

4



M4 x 30 mm
Wood Screws 52pcs

5



1/4" x25 mm
Hex-Head bolts 11pcs

6



1/4" x40 mm
Hex-Head bolts 6pcs

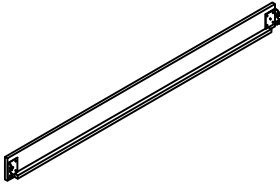
7



Allen Key 1pc

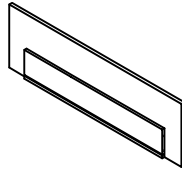
Part List

B



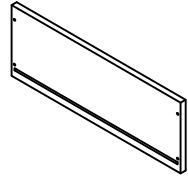
Side Rails - 2pcs

E



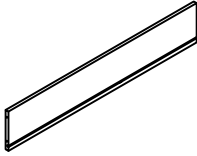
Drawers - Front Panels - 4pcs

F



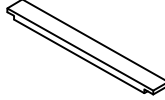
Drawers - Side Panels - 8pcs

G

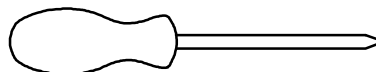


Drawers - Back Panel - 4pcs

I

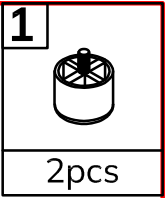
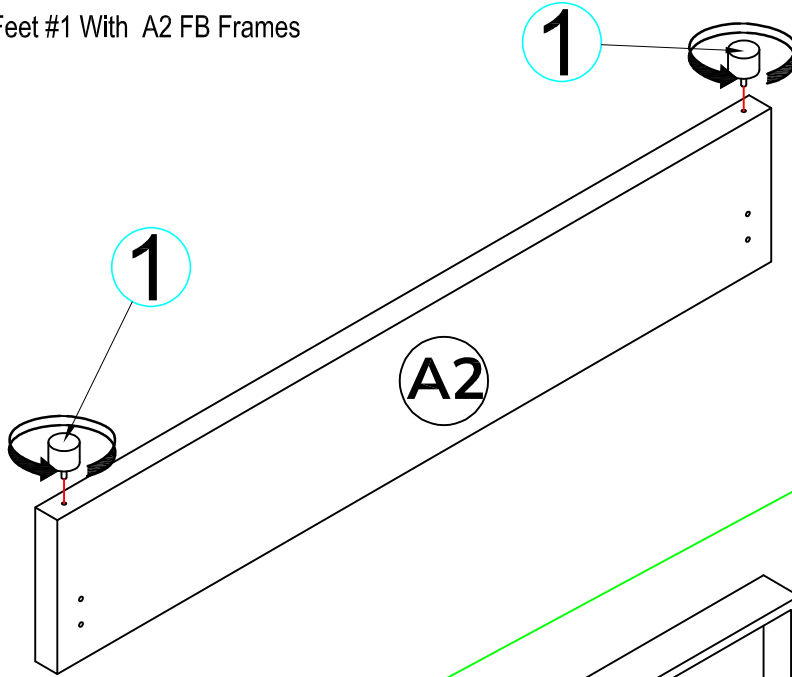


Drawers - Support Bottom - 4pcs

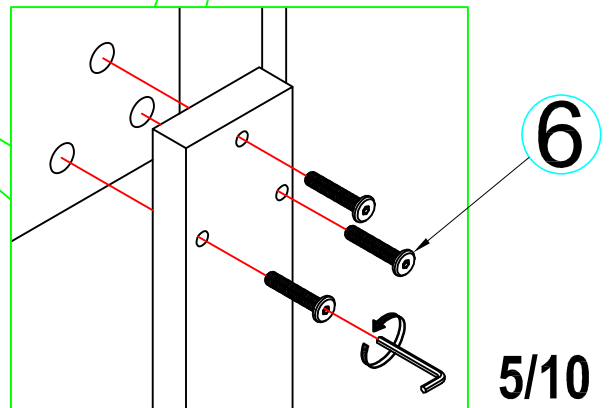
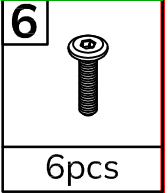
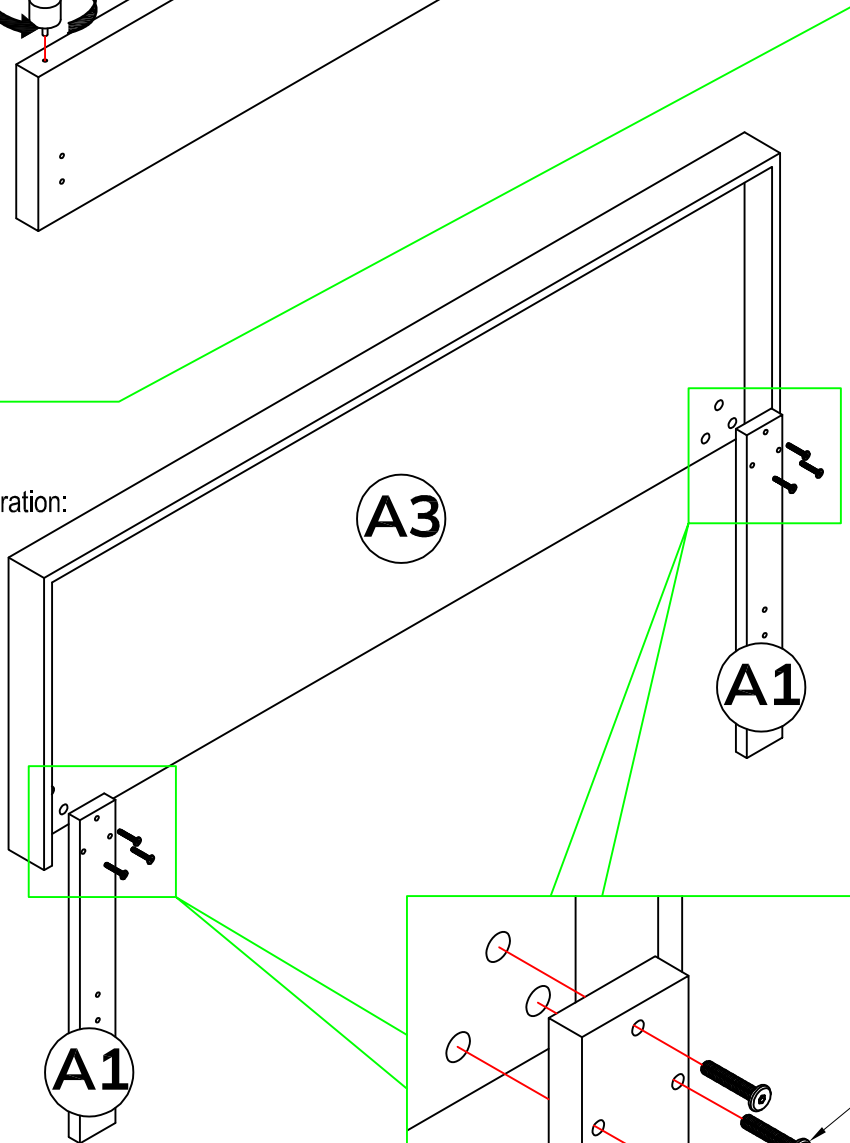


Assembly Tools Required (Not Included)


STEP 1: Following below illustration:
Assembly Plastic Feet #1 With A2 FB Frames

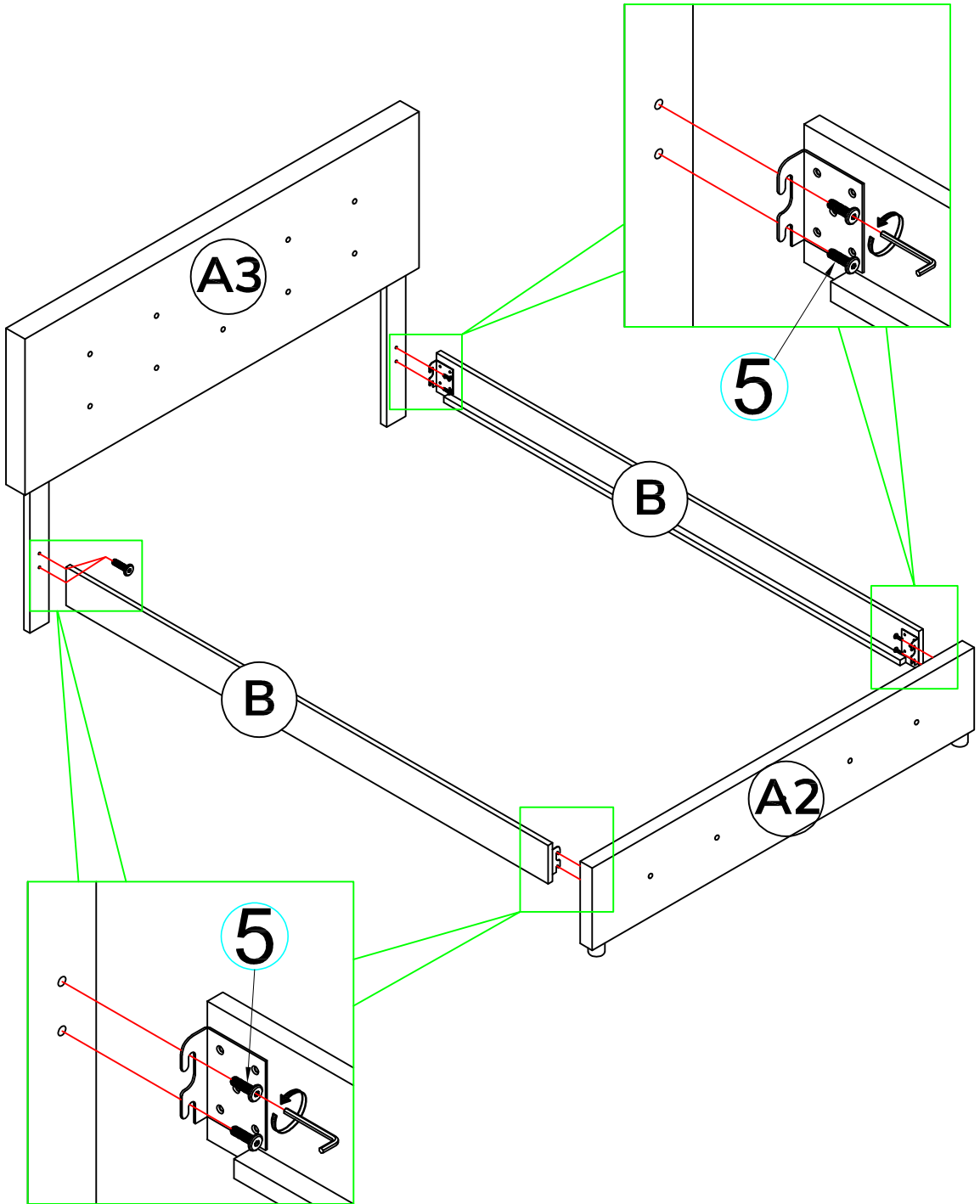


STEP 1-1:
Following below illustration:

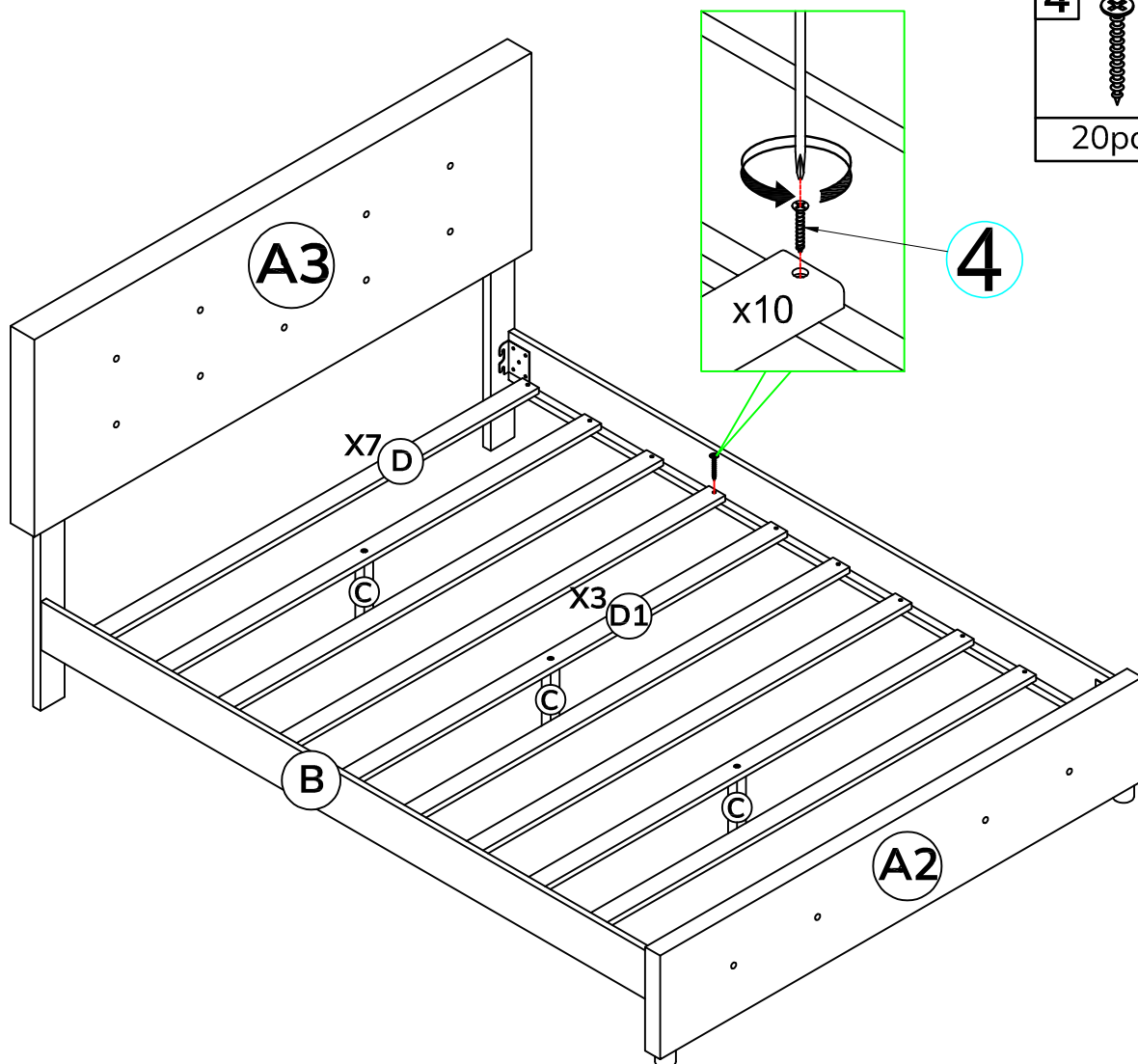
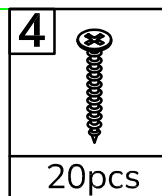
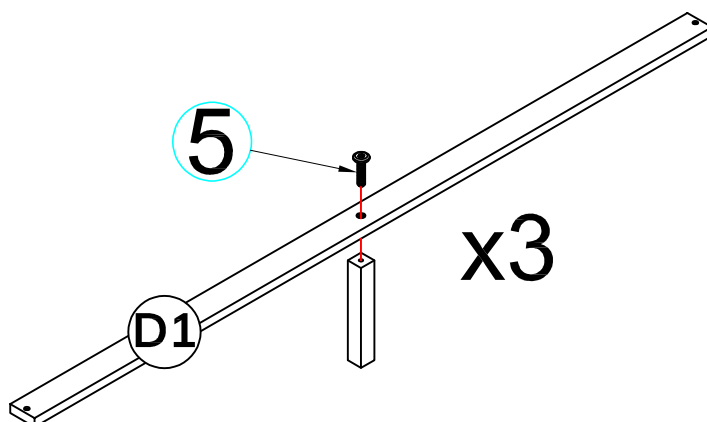
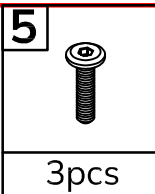


STEP 2: Following below illustration:

5	
8pcs	

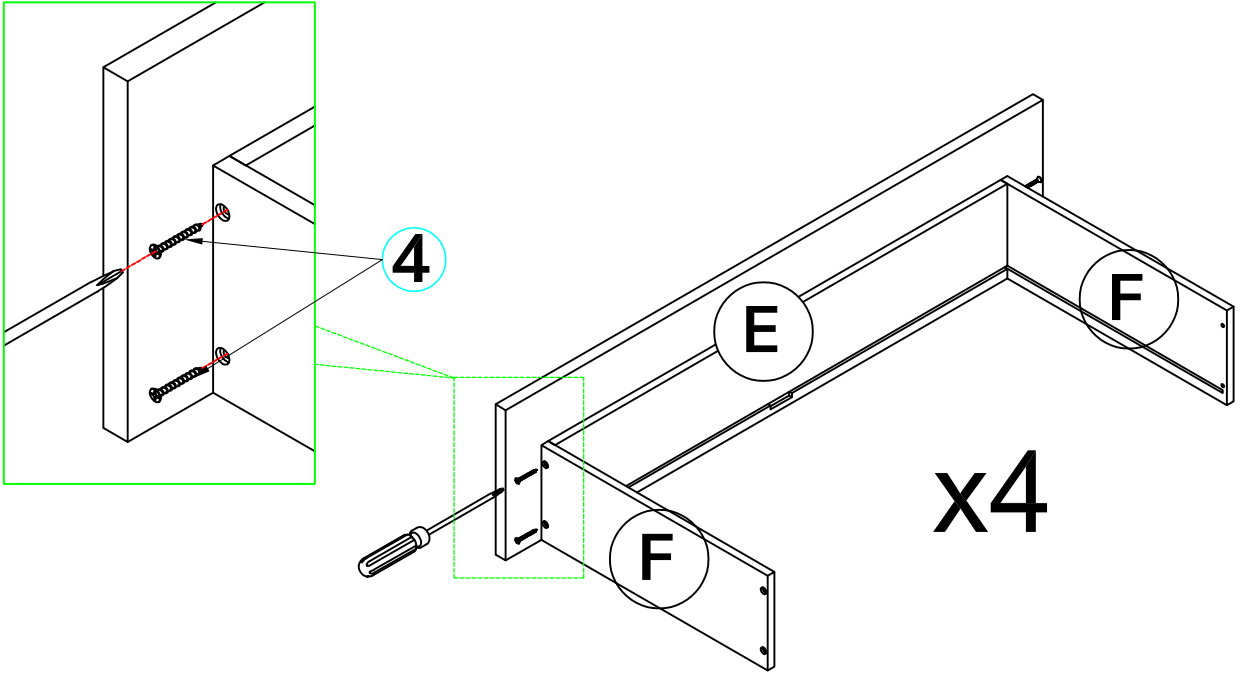


STEP 3: Following below illustration:

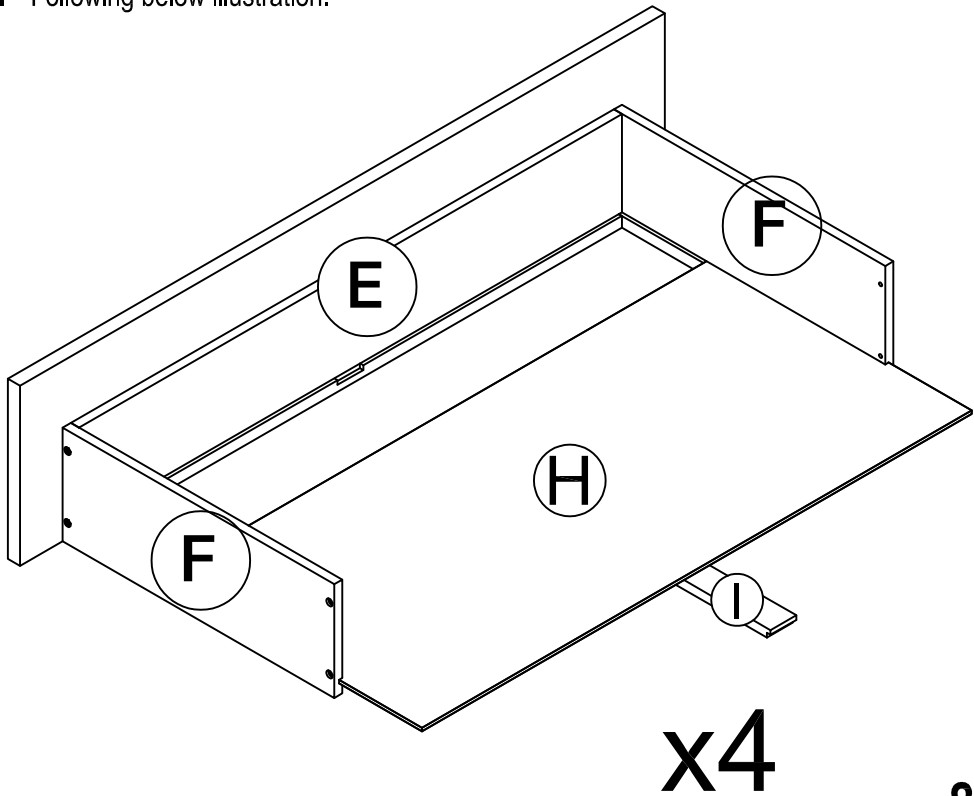


STEP 4: Following below illustration:


4	
16pcs	



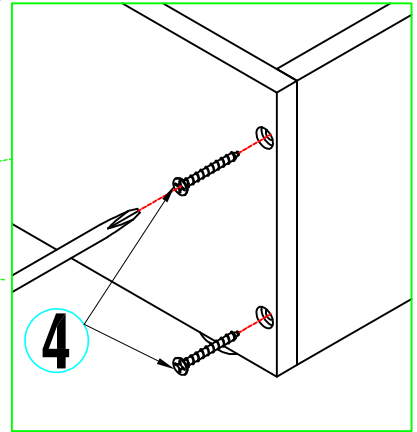
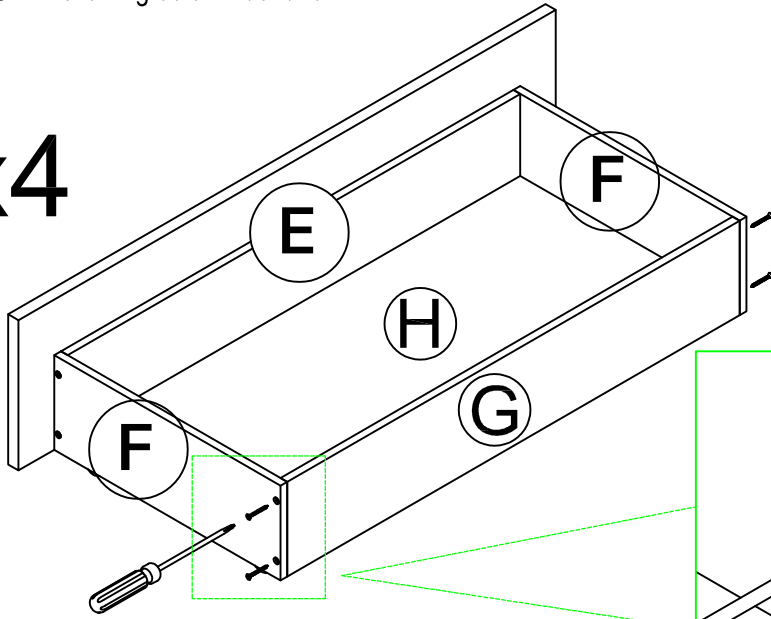
STEP 4-1: Following below illustration:



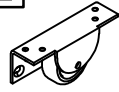

STEP 5: Following below illustration:

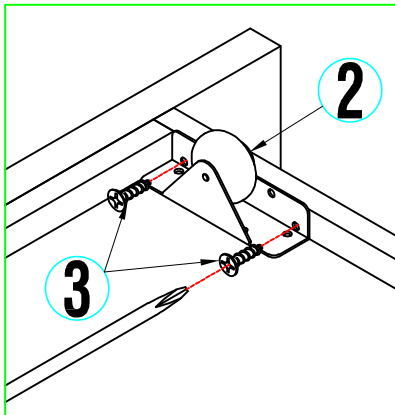
4	
16pcs	

x4

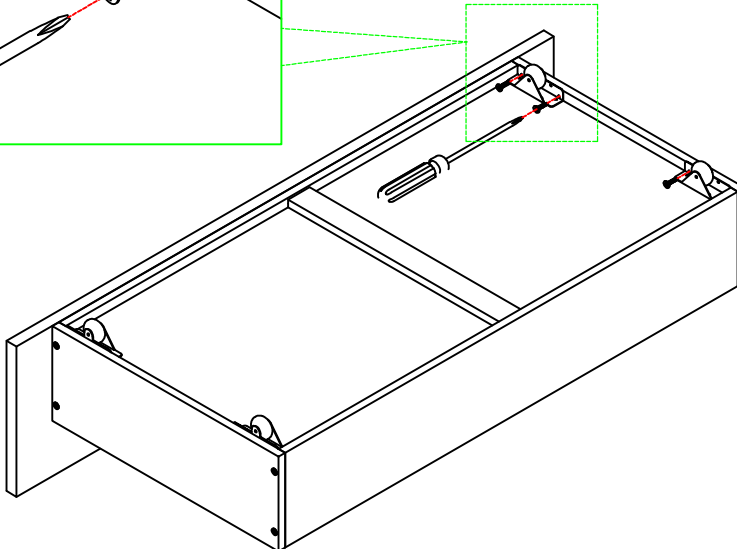


STEP 5-1: Following below illustration:

2		3	
16pcs		32pcs	



x4



FINISH

