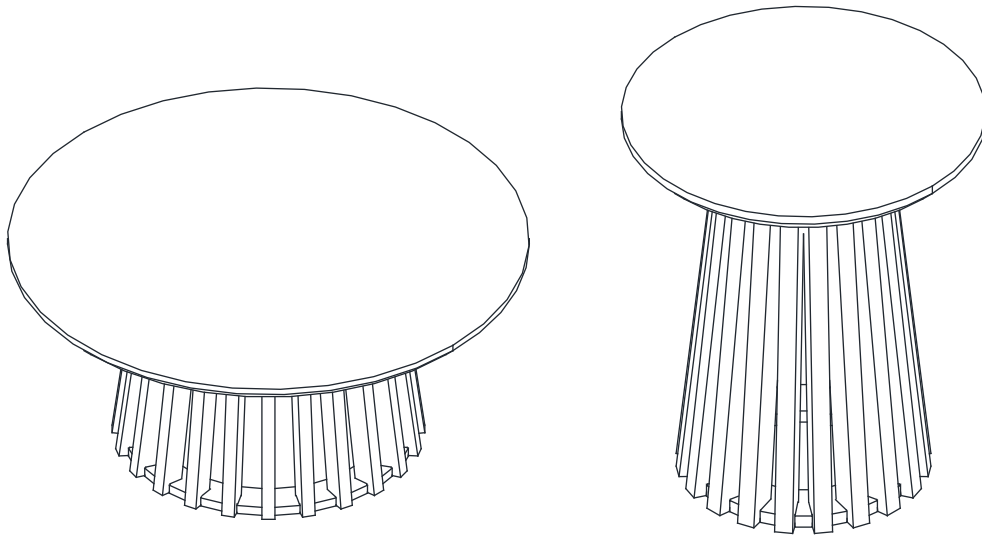


Installation Instruction



Product Name

Table Set of 2

Ver.1.0 20230710

Assembling

Estimated time for assembly

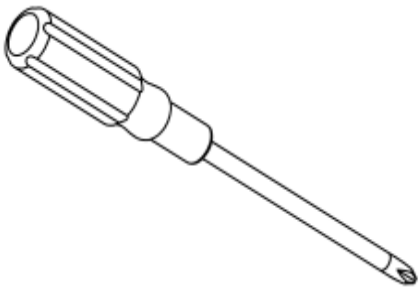


25 : 00

What you need

.Use the packaging carton as a working surface to prevent product damage during assembly

.Phillips head screwdriver



Weight Limitation



55
lbs table top

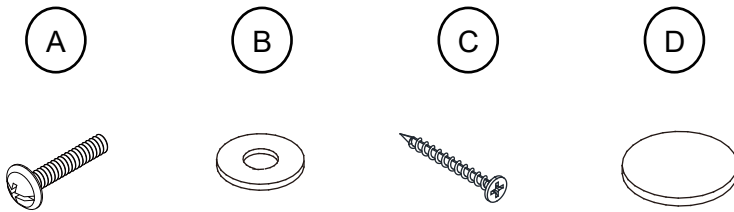


2 PERSONS

What's included

Code	Description	Qty
A	Bolt M4*25mm	6
B	Metal Washer	6
C	Screw Φ 4x30mm	88
D	Foot Pad	8

The Hardware



IMPORTANT:

1. Do not tighten bolts / screws completely until all bolts / screws are lined up and inserted into holes.
2. Do not over tighten screws and bolts to avoid stripping.
3. Please use hand tools to assemble this product. Do not use power tools.
4. Must need 2 people to assemble this product.

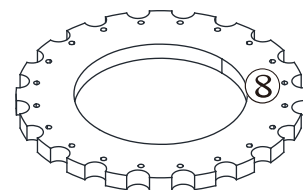
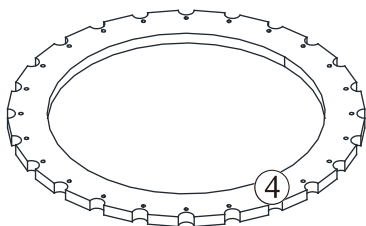
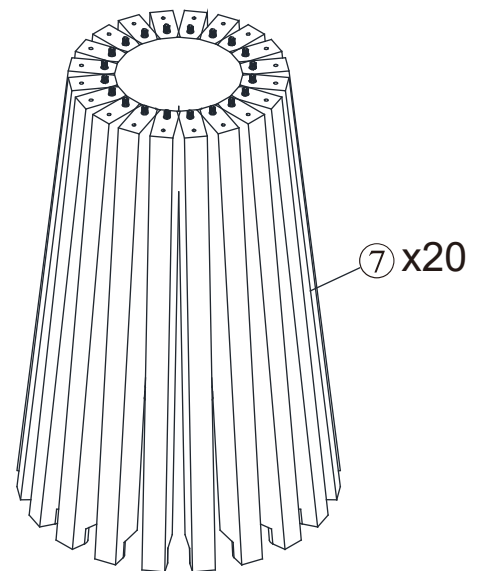
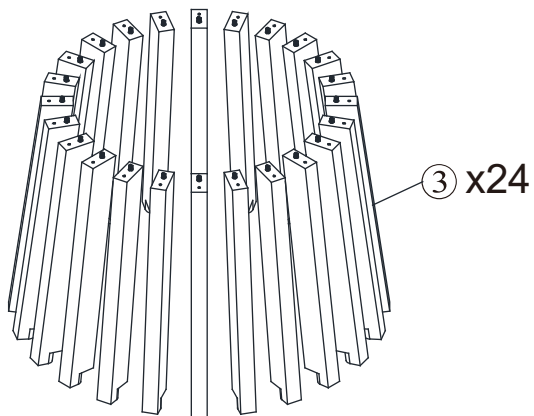
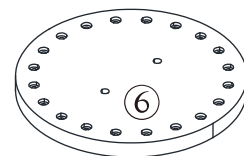
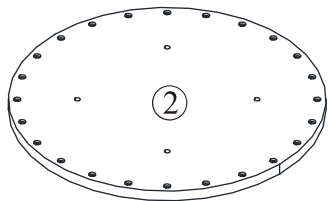
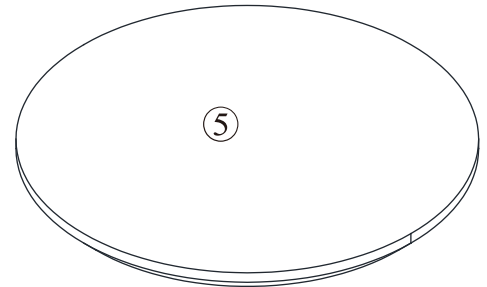
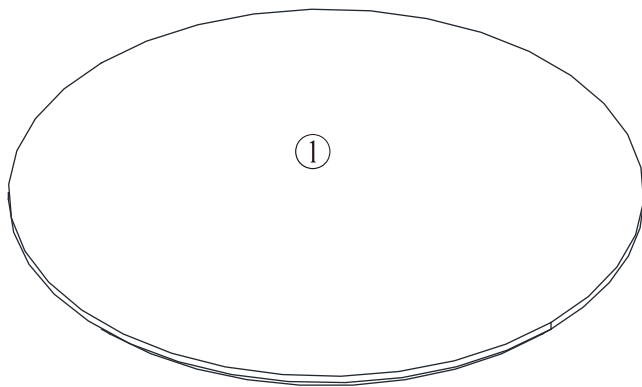


2 PERSONS

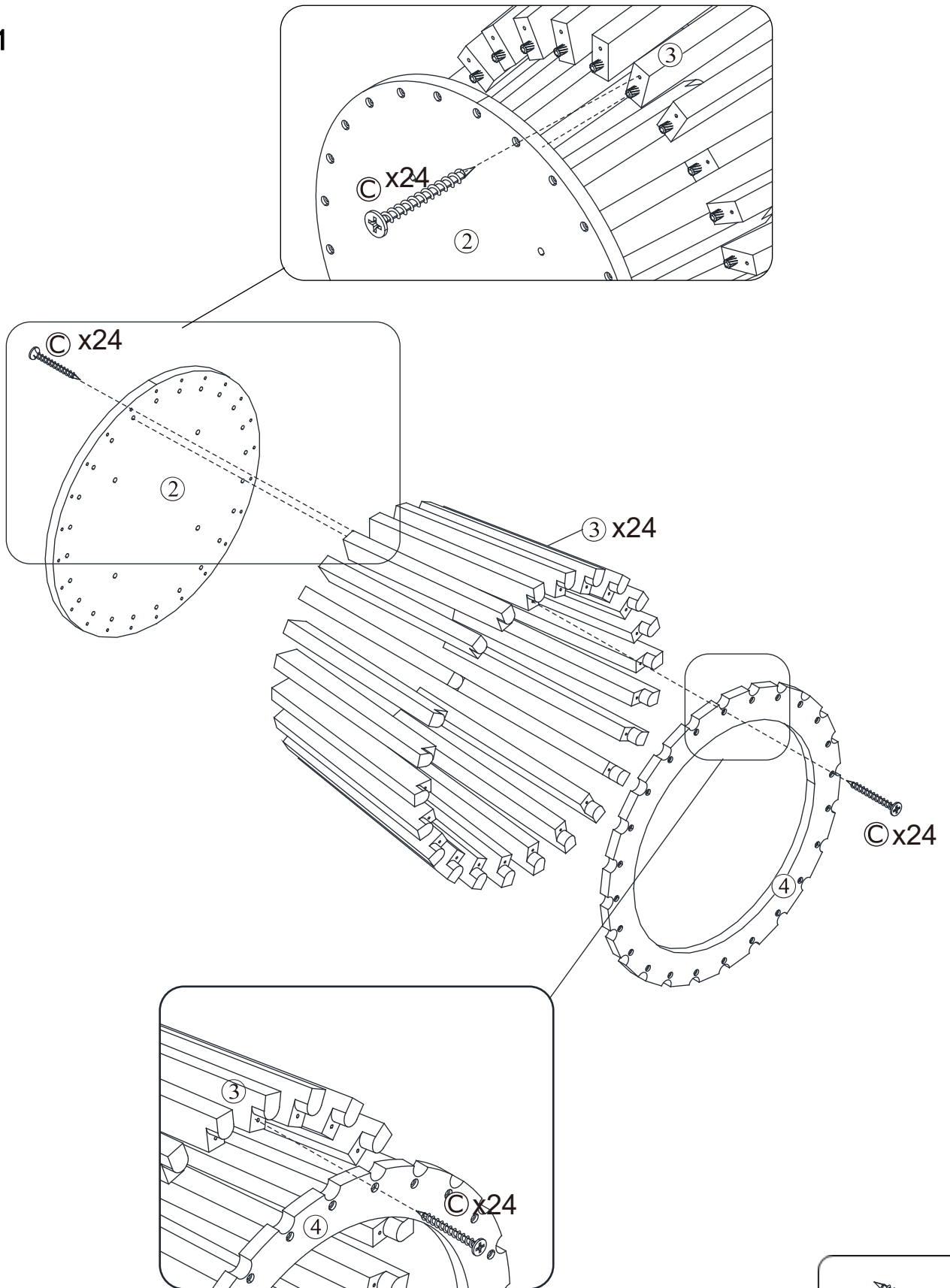
Included Accessories

Code	Description	Qty
1	Big Table Top	1
2	Big Intermediate Laminate	1
3	Big Support Feet	24
4	Big Bottom Panel	1
5	Small Table Top	1
6	Small Intermediate Laminate	1
7	Small Support Feet	20
8	Small Bottom Panel	1

The Accessoriess

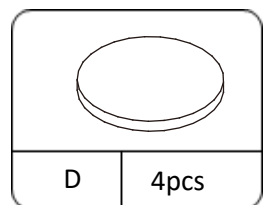
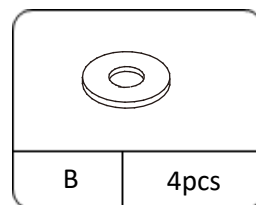
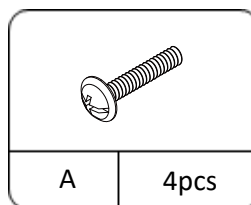
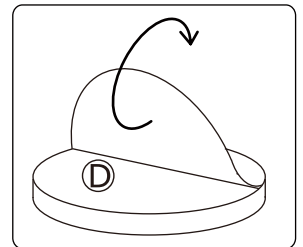
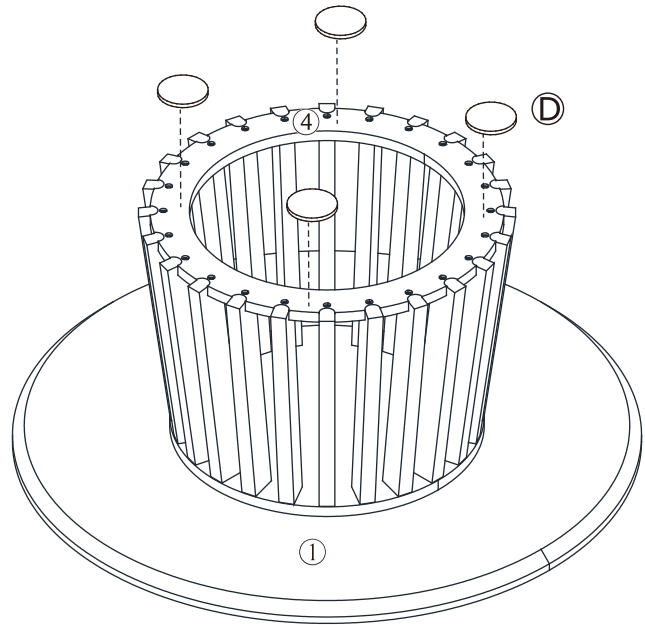
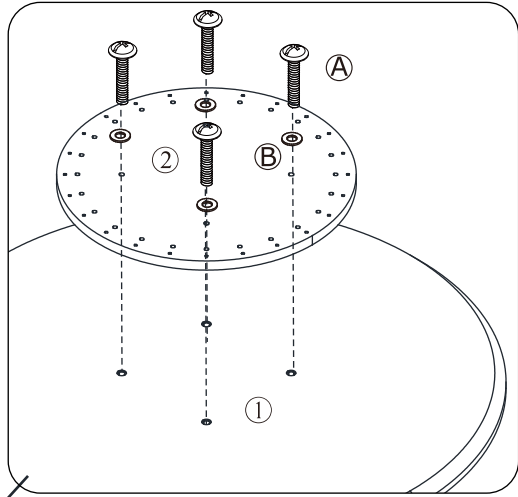
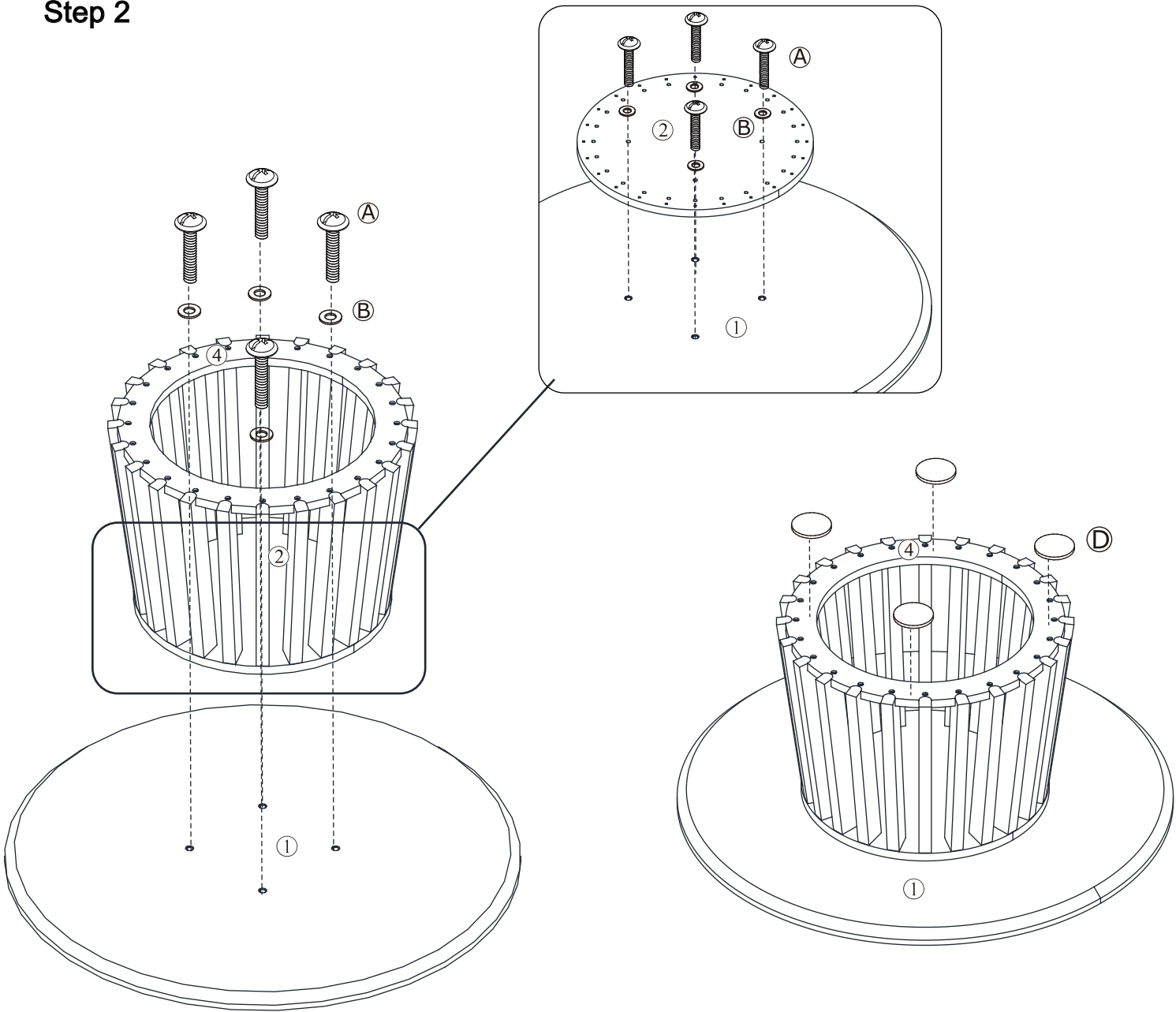


Step 1

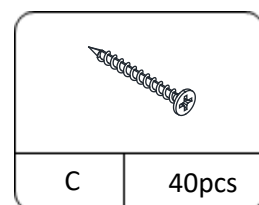
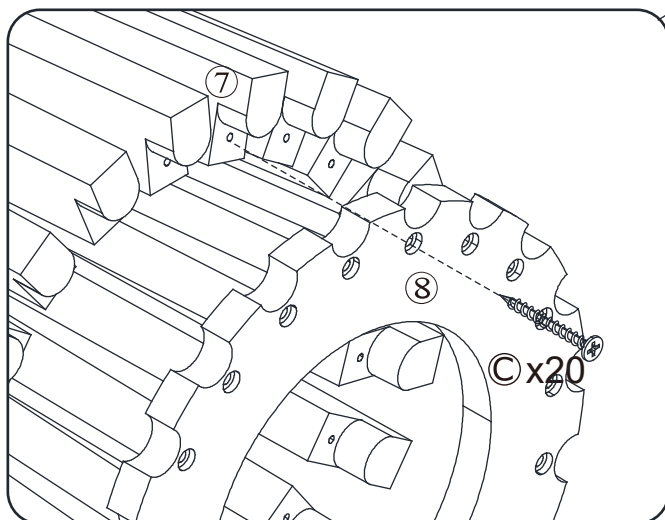
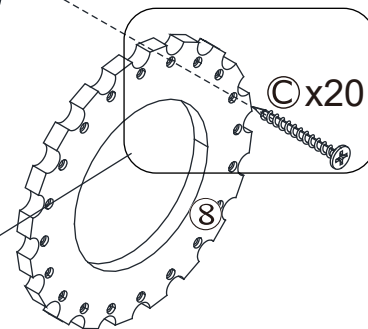
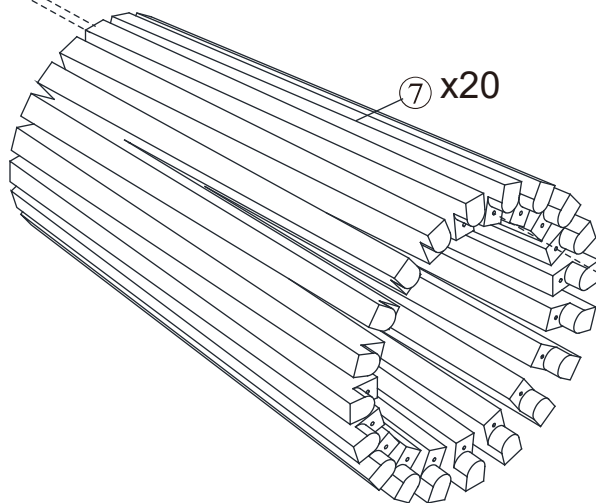
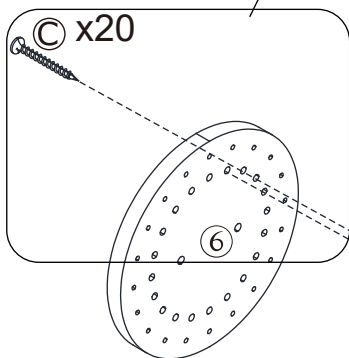
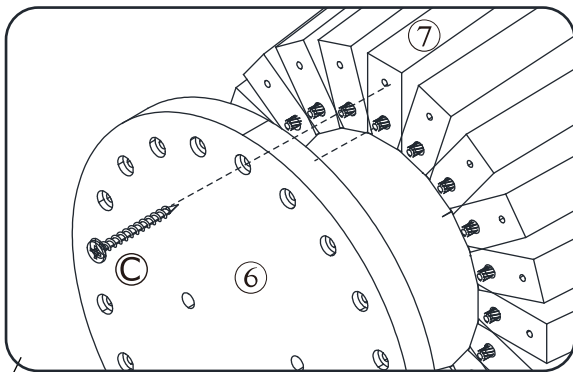


C	48pcs

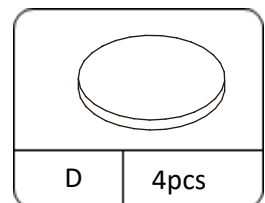
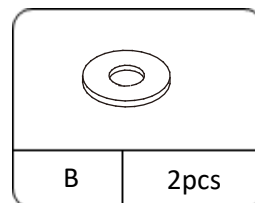
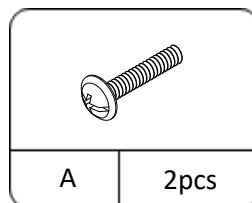
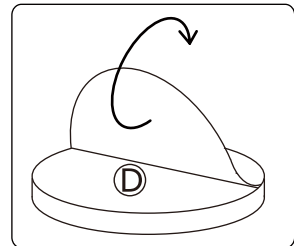
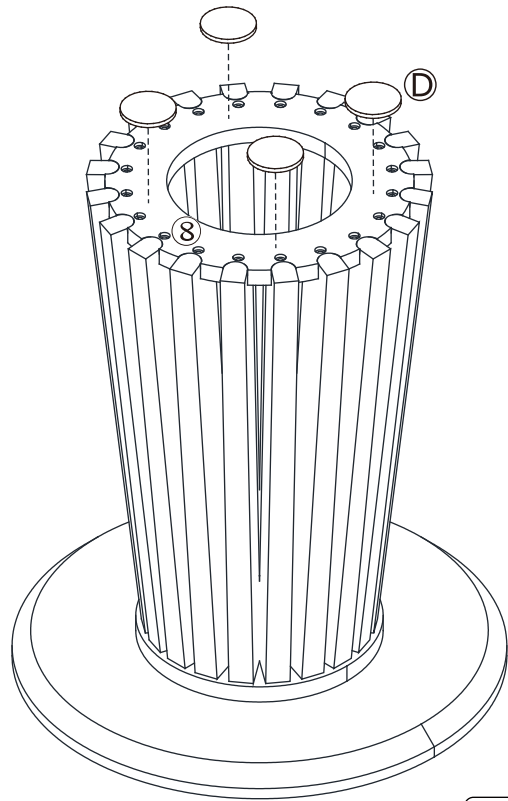
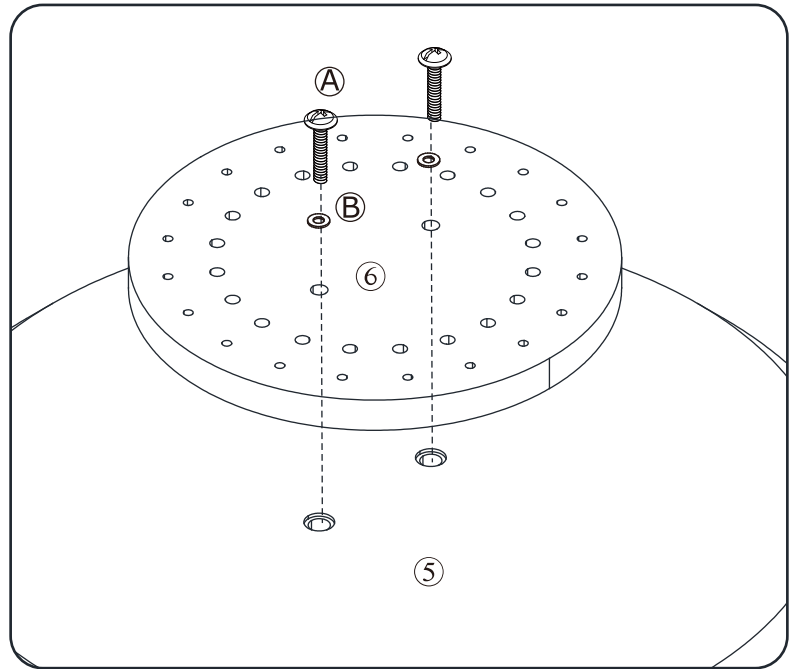
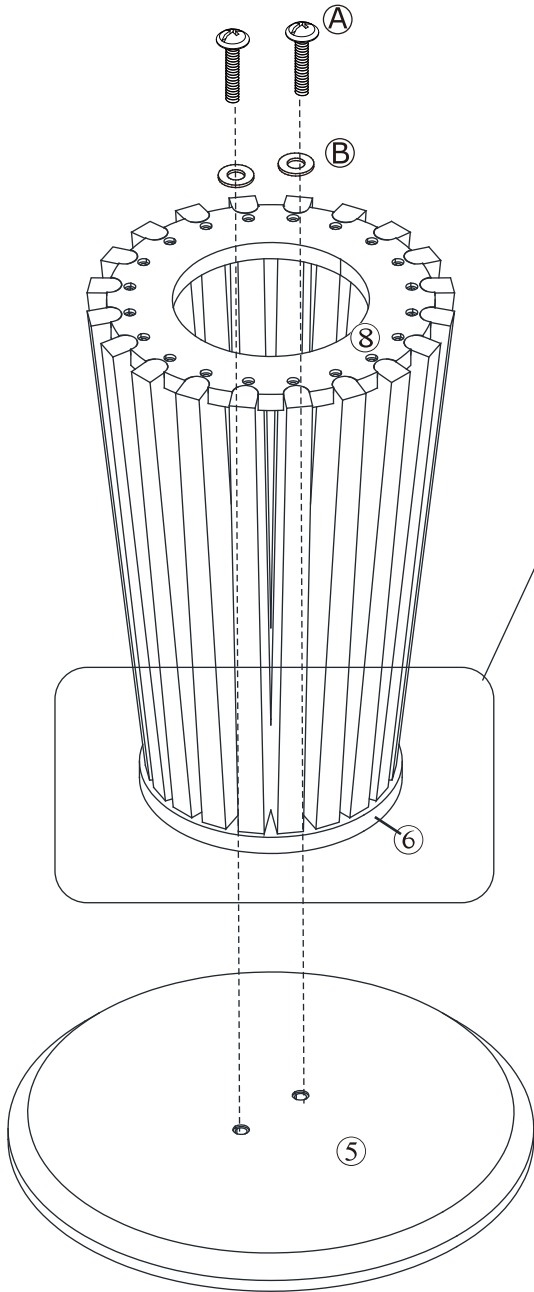
Step 2



Step 3



Step 4



Proper Use

- DO NOT** use for commercial purposes
- DO NOT** use as a step stool or stand on table
- DO NOT** put hot serving liquid directly on the table top
- DO NOT** leave spilled liquid on the table top
- DO NOT** use table if damaged
- DO NOT** exceed weight limit
- DO NOT** make temporary repairs
- DO NOT** use outdoor

Dear Customer:

Thank you for purchasing our product, we wish you satisfy our service, if you have any further questions or any quality issues, please show the belows number and don't hesitate to contact our Customer Service People :

W688202307