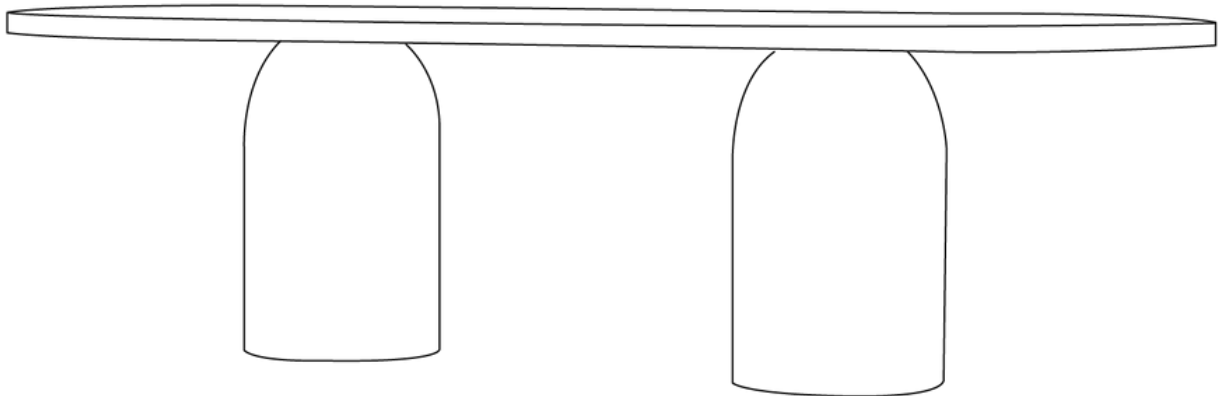


NORHOM

Assembly Instructions



SIRA

DINING TABLE

SIRA DINING TABLE

Assembly Instructions

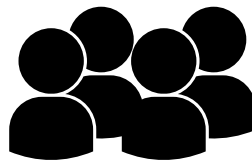
PARTS INVENTORY		
ID	DESCRIPTION	QTY
A	SIRA TABLETOP	1
B	(A) LEG	1
C	(B) LEG	1
E	ALLEN WRENCH	1
F	SCREWS	26
G	MOUNTING PLATES	2

Please read these instructions carefully and retain them for future reference. Before beginning assembly, verify that all parts listed in the inventory are included.

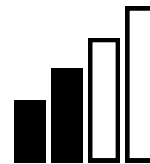
To prevent scratches or damage, assemble the table on a soft, clean, and flat surface.



30 min



of people



Difficulty

SIRA DINING TABLE

1

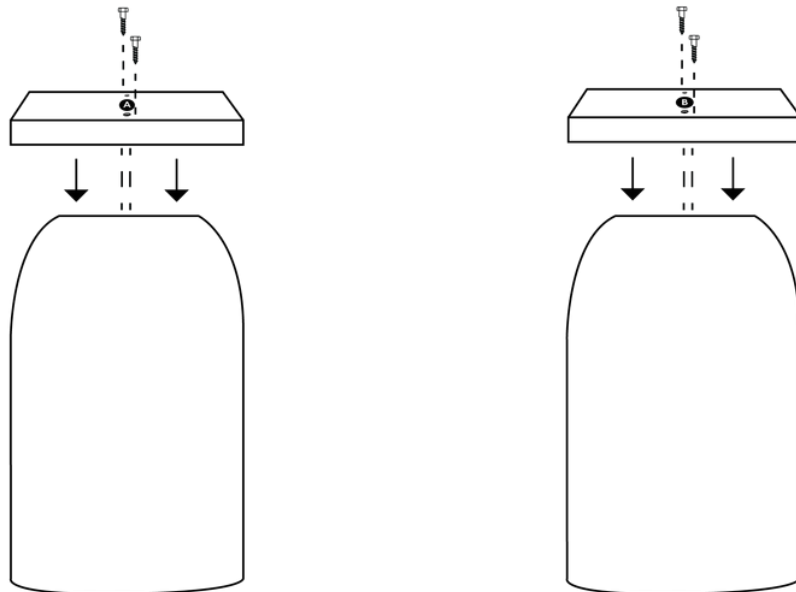
Position the Pedestals and Attach the Mounting Plates.

Before assembly, place both pedestals in their final position where the dining table will remain. Ensure they are properly spaced and aligned according to the tabletop layout.

Position one square mounting plate on top of each pedestal, aligning the pre-drilled holes.

Using the provided Allen wrench, secure each mounting plate to the pedestal with 2 screws per pedestal.

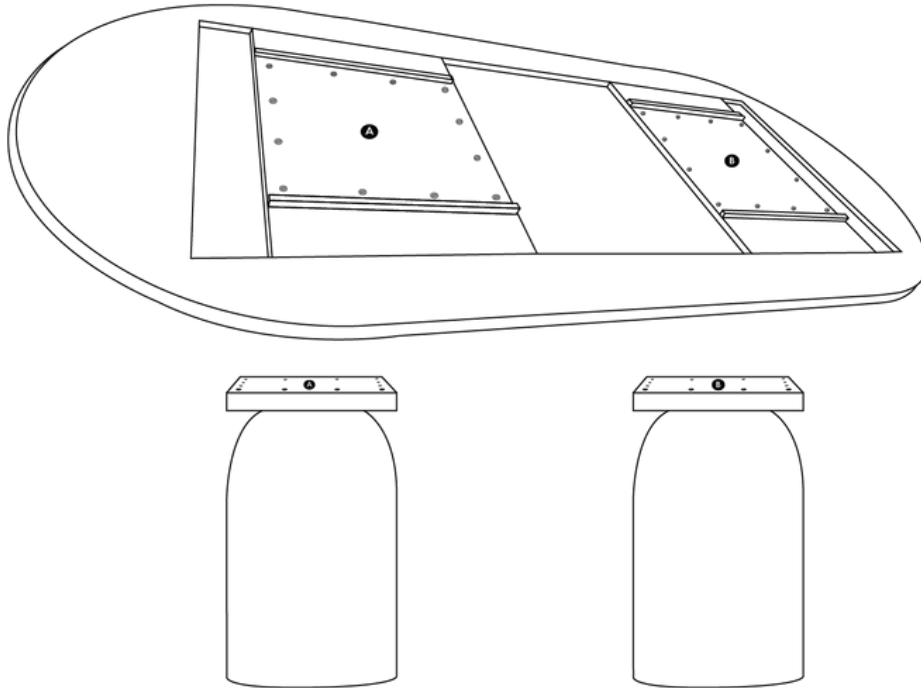
Tighten firmly to ensure a stable connection, but do not overtighten.



SIRA DINING TABLE

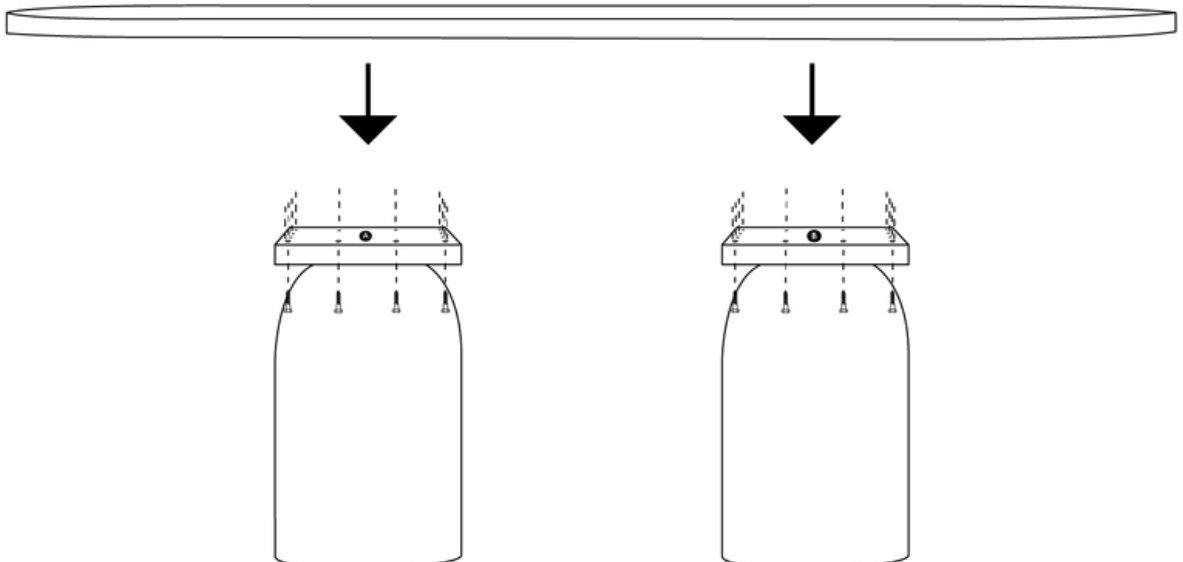
1

Locate the "A" and "B" stickers on the Sira legs. Position each leg beneath the corresponding side of the tabletop, ensuring the stickers align correctly.



2

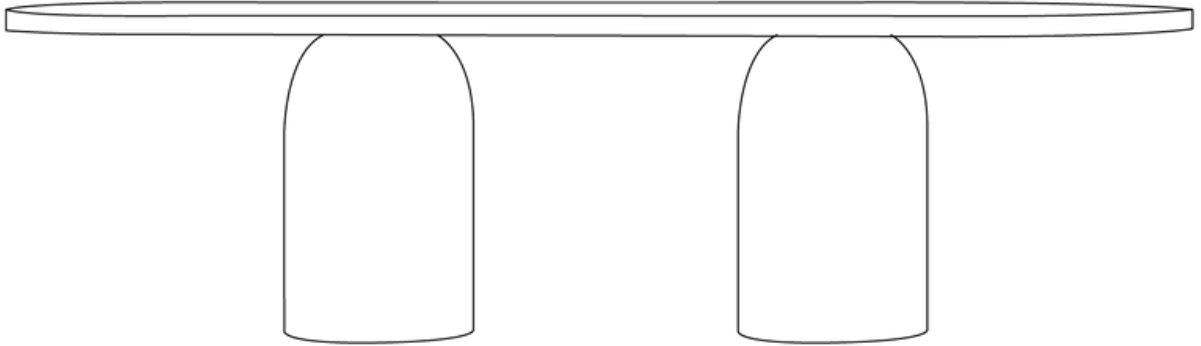
With the assistance of a second person, carefully place the tabletop onto the mounting plates, aligning it with the pre-drilled holes. Insert the screws (F) through the mounting plates into the tabletop. Tighten all 24 screws securely using the included Allen wrench to ensure a stable and secure connection.



SIRA DINING TABLE

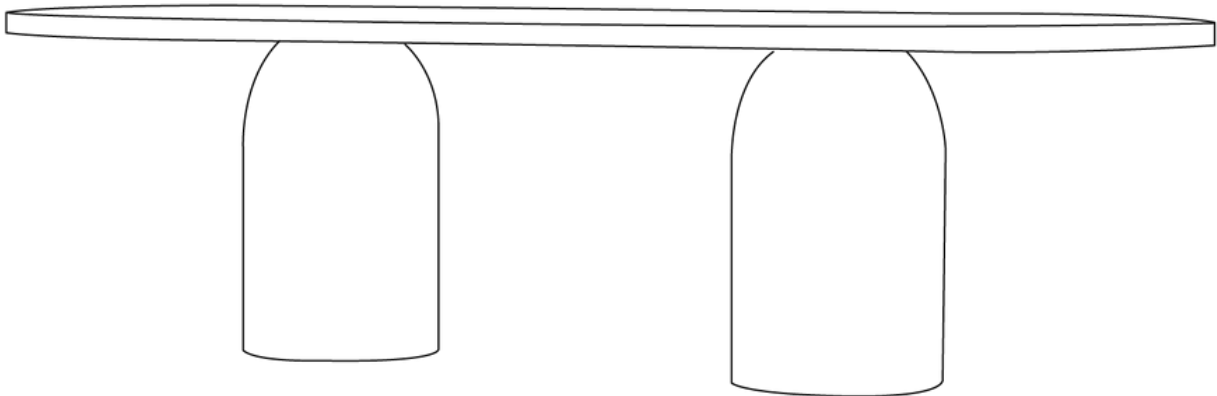
3

Ensure all screws are firmly tightened and gently test the table for stability before use.



4

Your dining table is now ready for use.



Periodically check that all bolts and screws remain secure.
Enjoy your new Sira dining table.