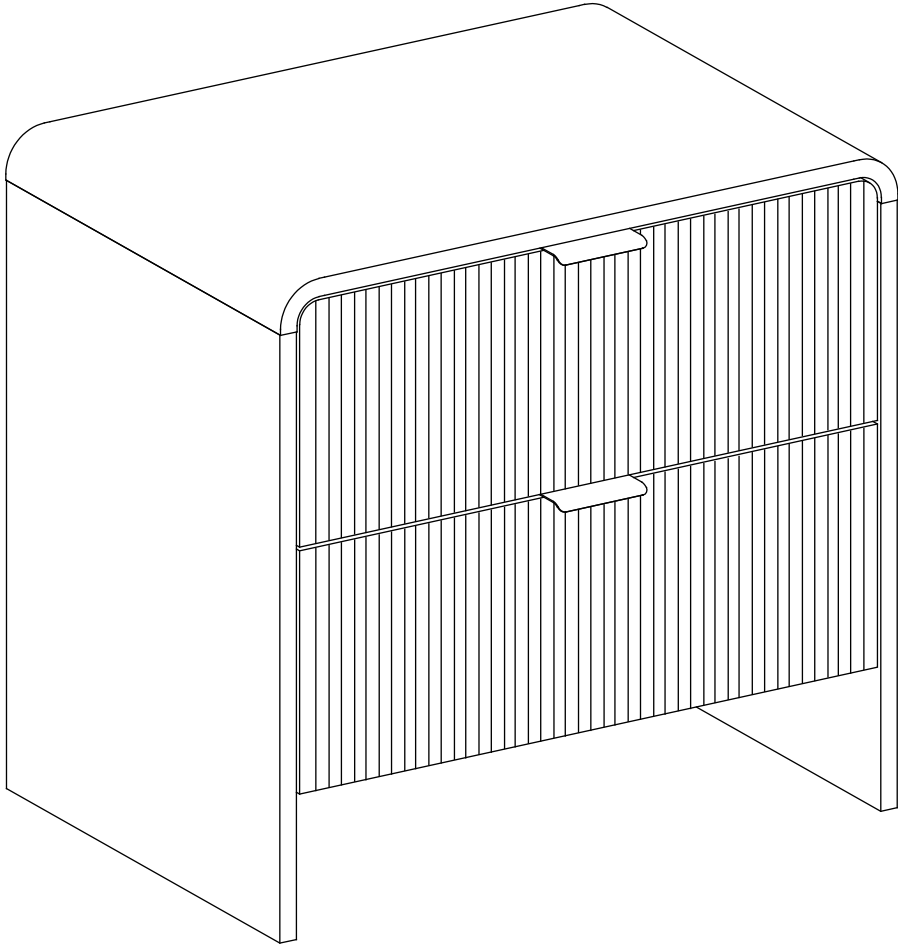
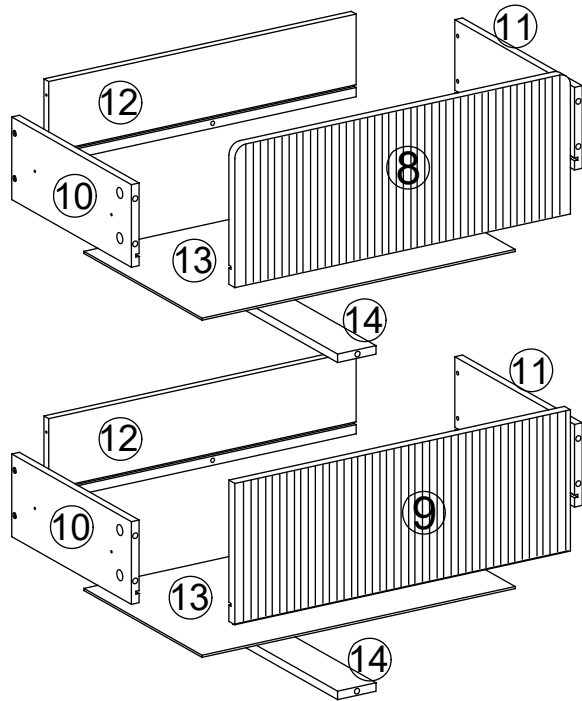
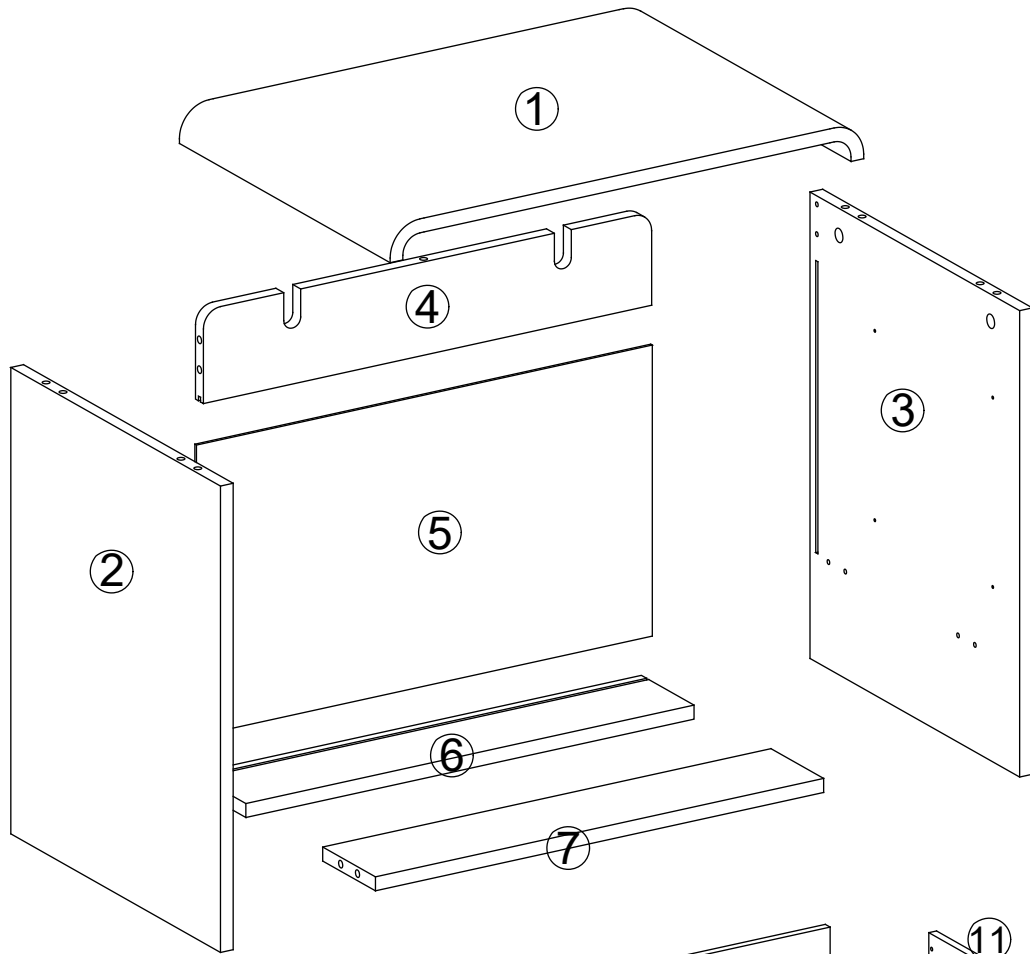


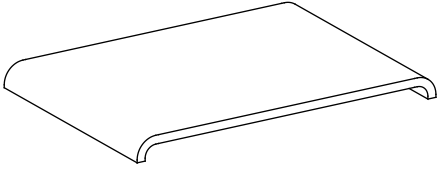
ASSEMBLY INSTRUCTION

If there are any questions during the assembly process, please contact us at cs@labcosi.com.
A video and description about the step you were stucked will help us to understand the problem quickly.

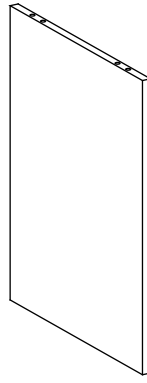




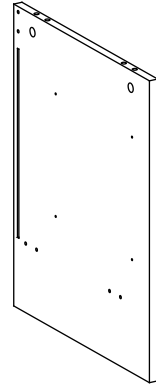
① x1



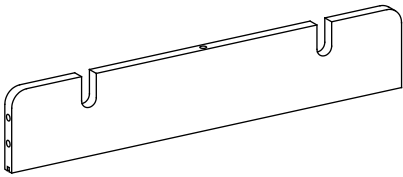
② x1



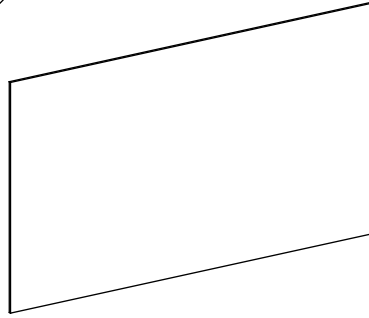
③ x1



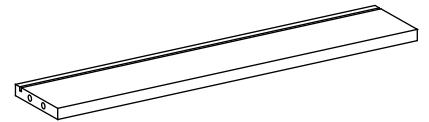
④ x1



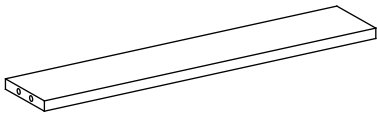
⑤ x1



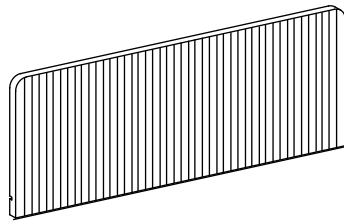
⑥ x1



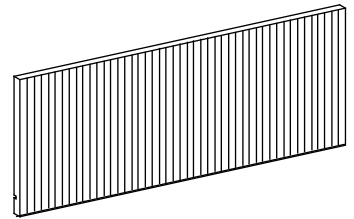
⑦ x1



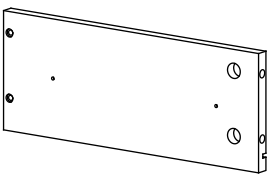
⑧ x1



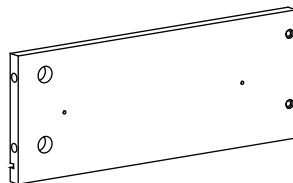
⑨ x1



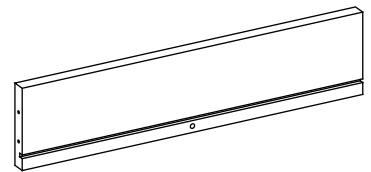
⑩ x2



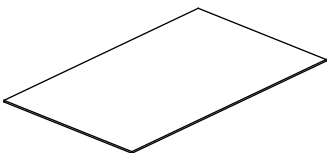
⑪ x2



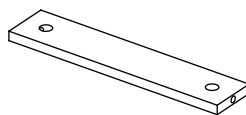
⑫ x2



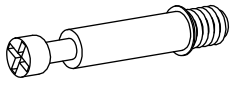
⑬ x2



⑭ x2



A



Ø6x35mm

X29+2 pcs

B



Ø15x9.5mm

X29+2 pcs

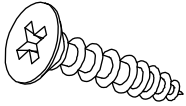
C



Ø8x30mm

x 4 pcs

D



Ø3.5x12 mm

x 20+2 pcs

E



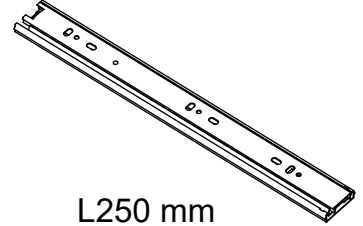
E-1

E-2



x 2 pc

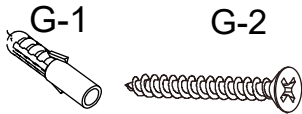
F



L250 mm

x 4 pcs

G

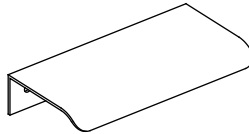


G-1

G-2

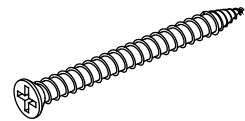
x 2 pcs

H



x 2 pc

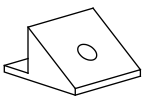
I



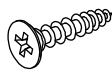
Ø3.5x35mm

x 8 pcs

J



J-1

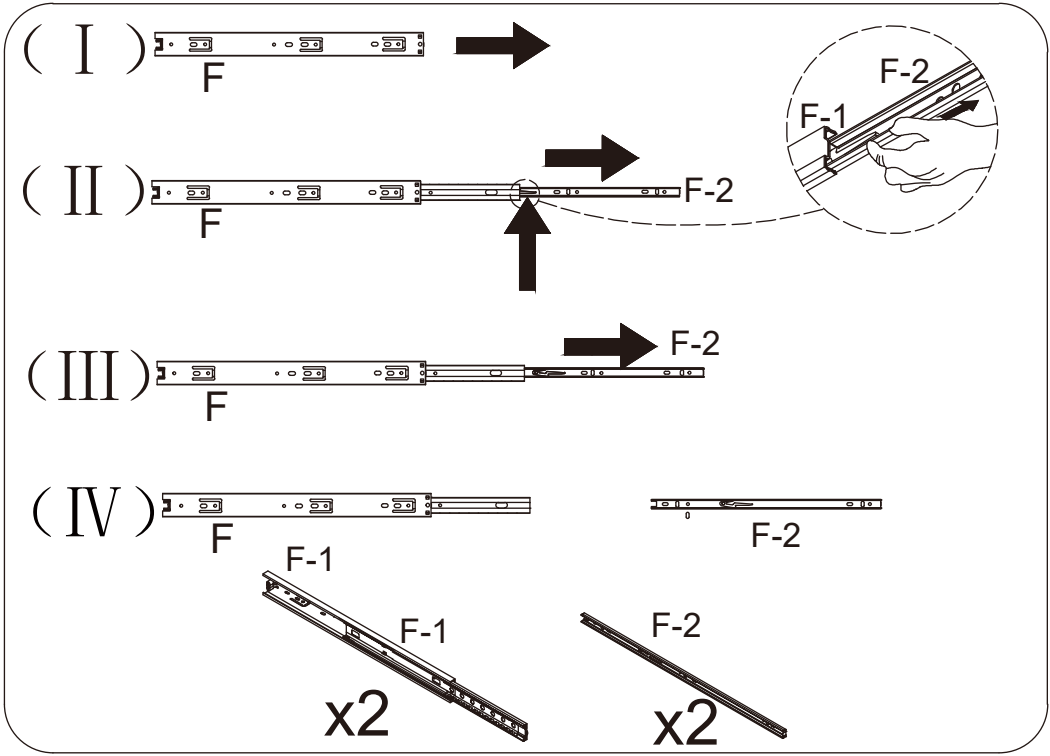
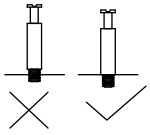


Ø3x16 mm

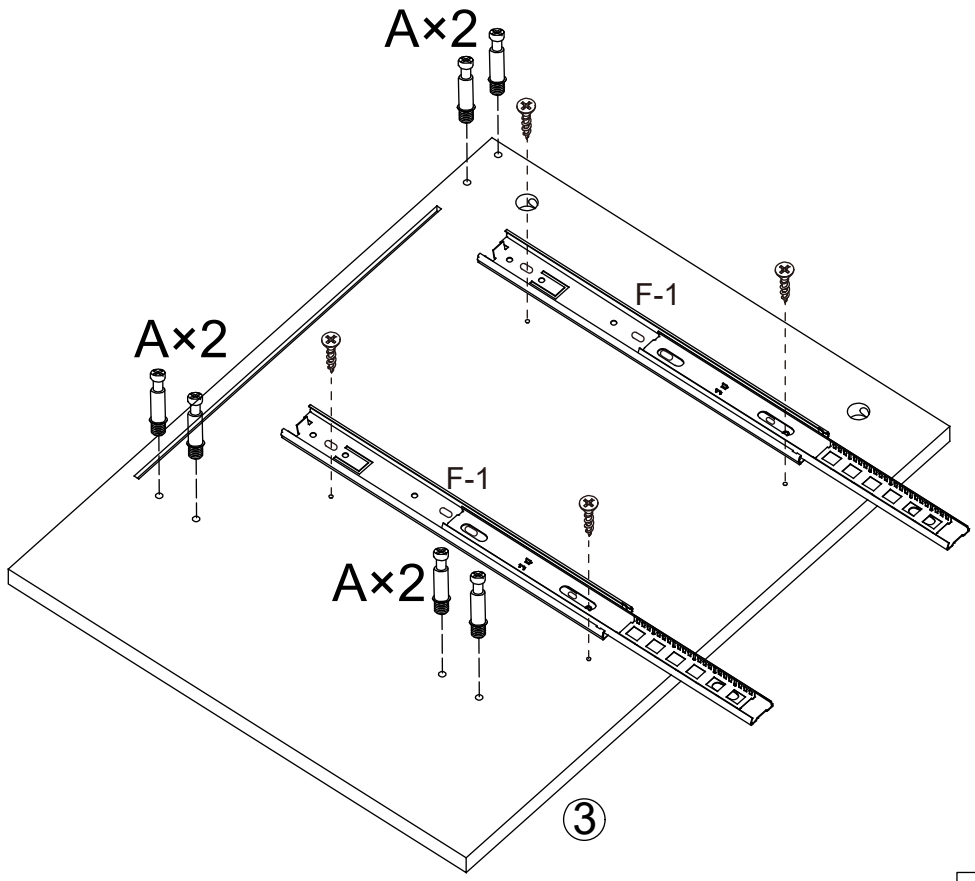
J-2

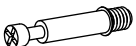
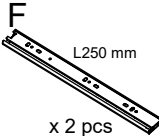

x 4 pcs

STEP 1

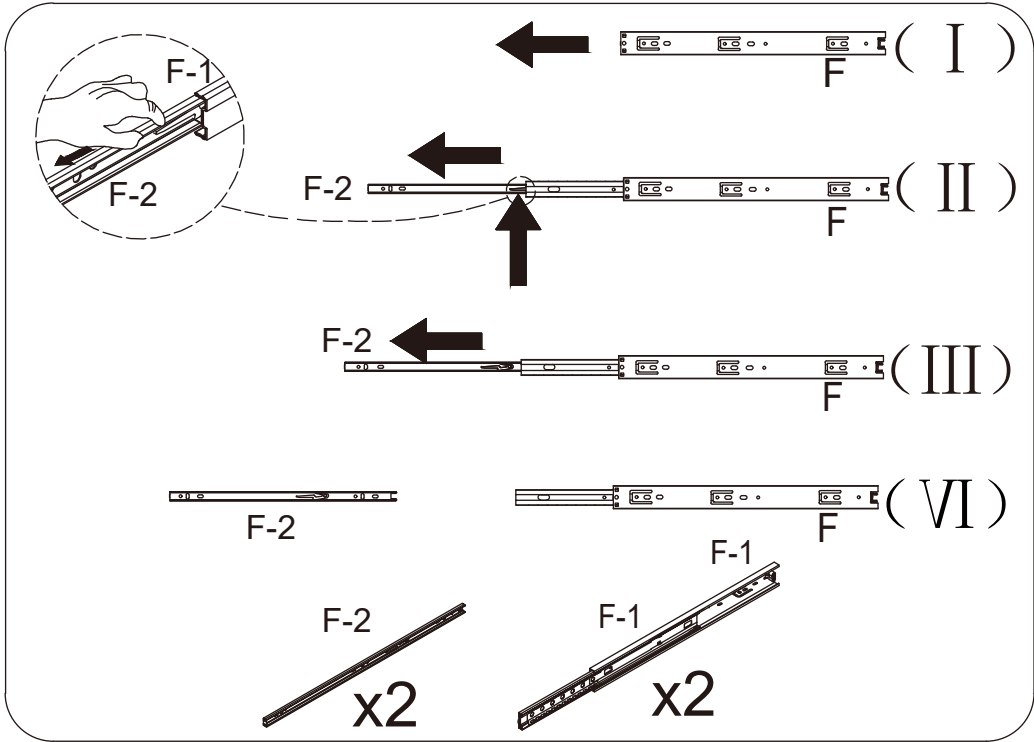
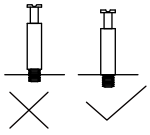


Please assembly screws in the holes marked with arrows

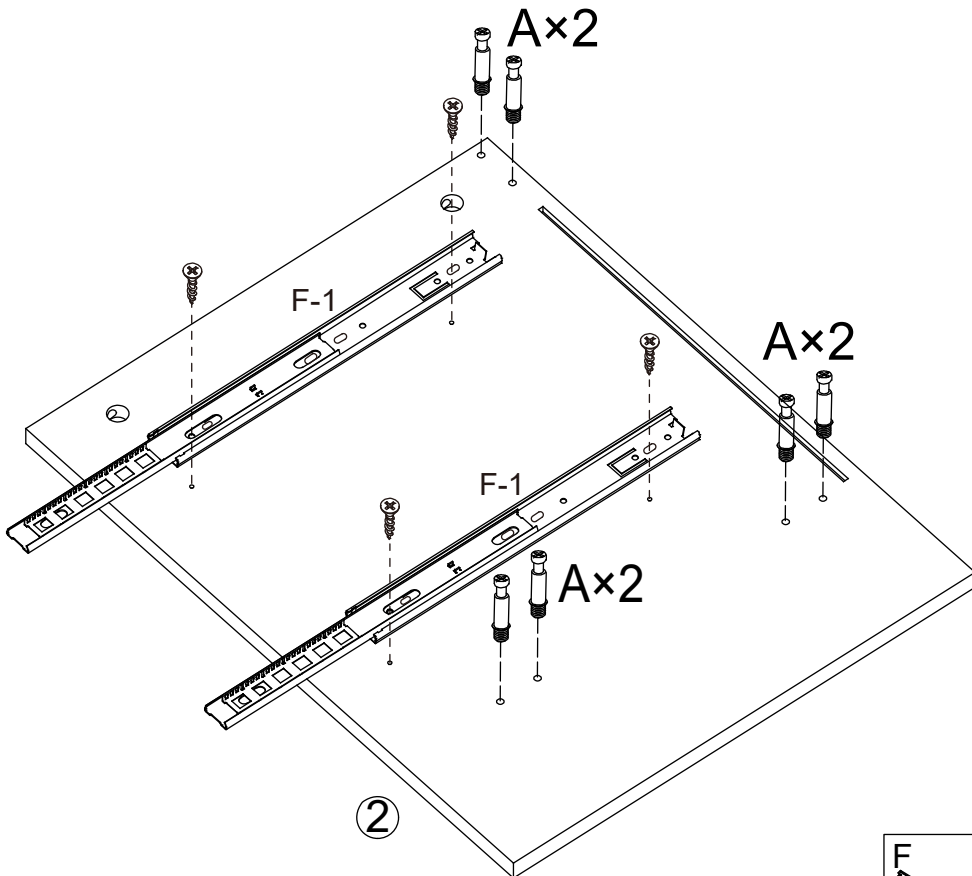




 <p>A</p> <p>x 6 pcs</p>	
 <p>F</p> <p>L250 mm</p> <p>x 2 pcs</p>	 <p>D</p> <p>Ø3.5x12 mm</p> <p>x 4 pcs</p>

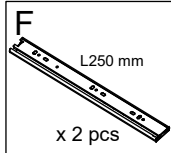
3



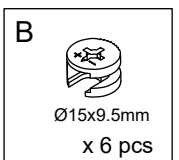
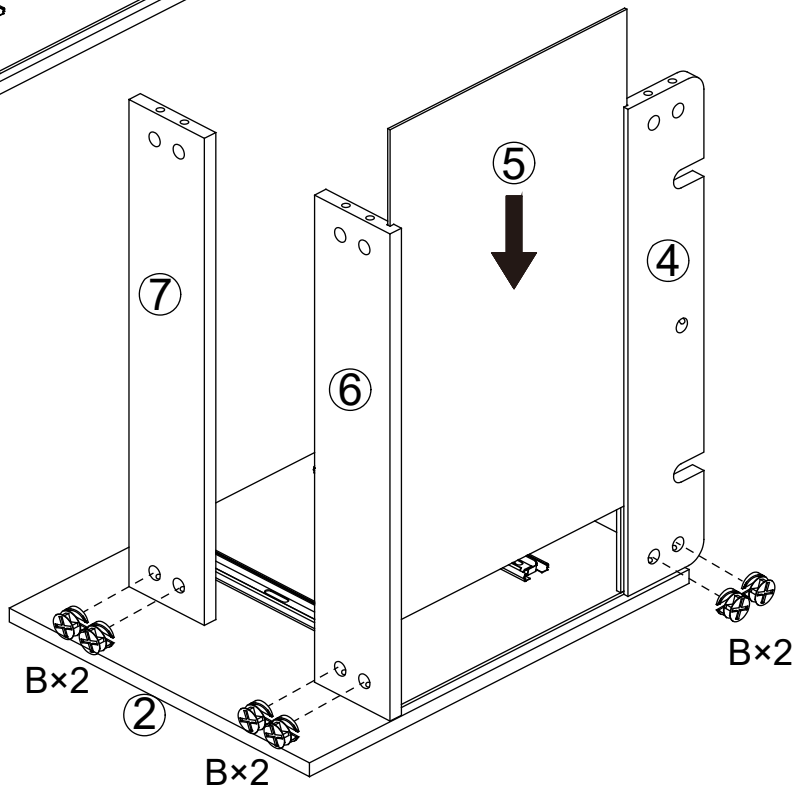
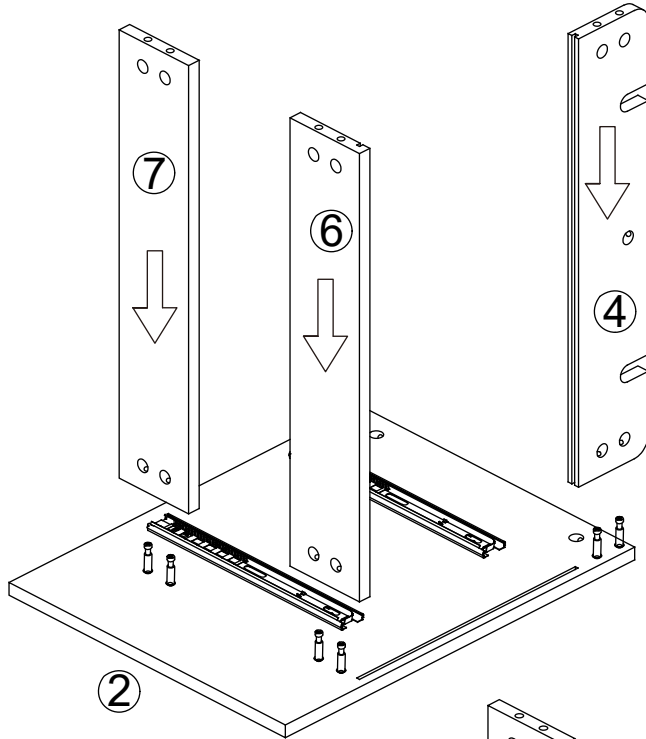
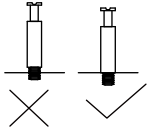
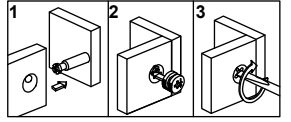
Please assembly screws in the holes marked with arrows



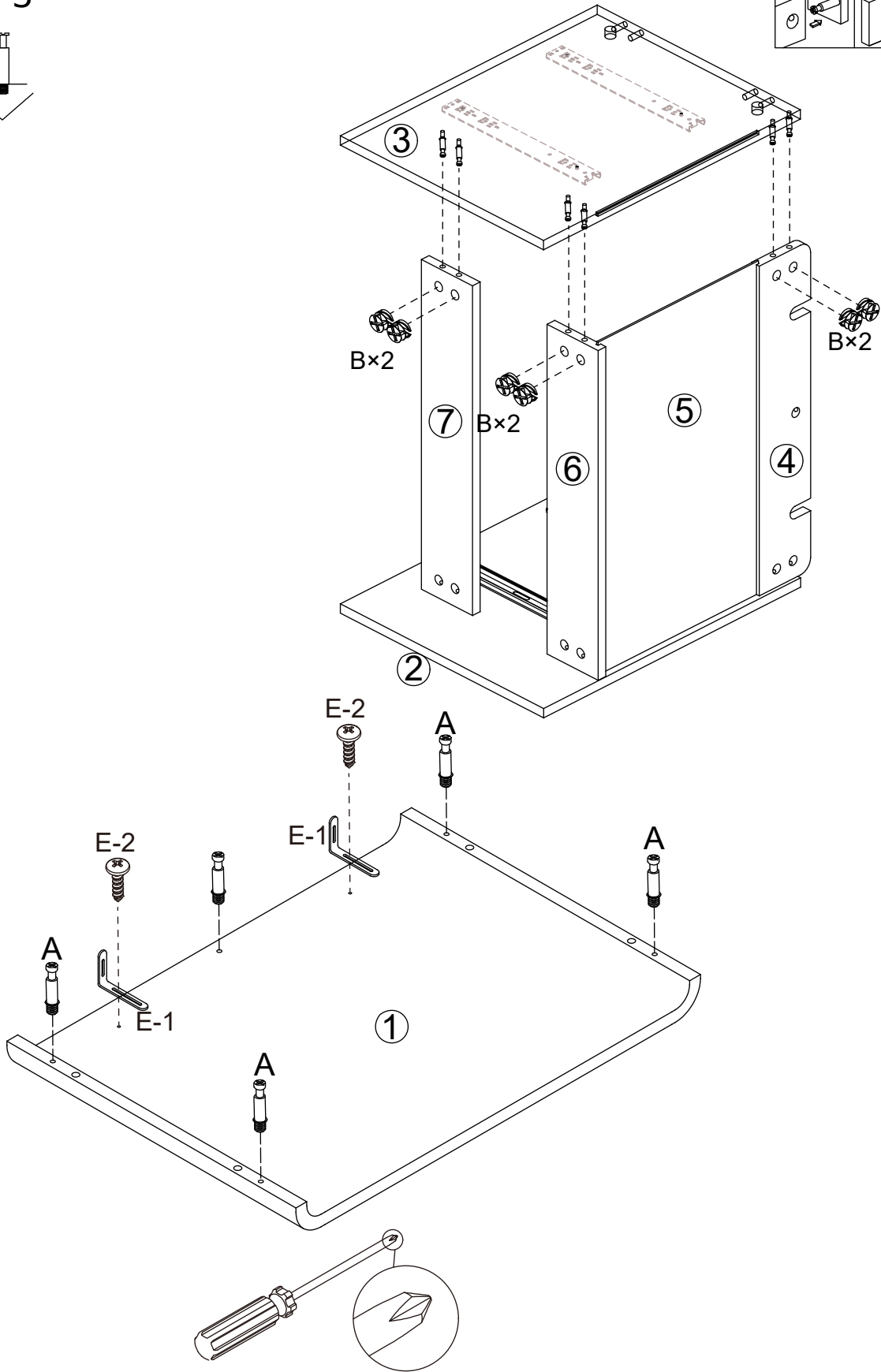
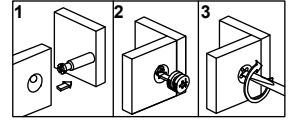
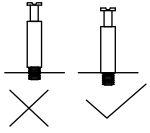
A	 x 6 pcs
F	 Ø3.5x12 mm x 4 pcs

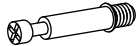




STEP 2

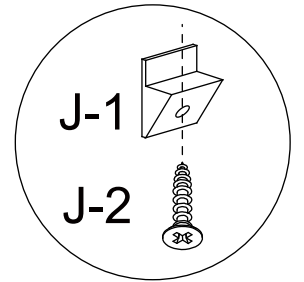
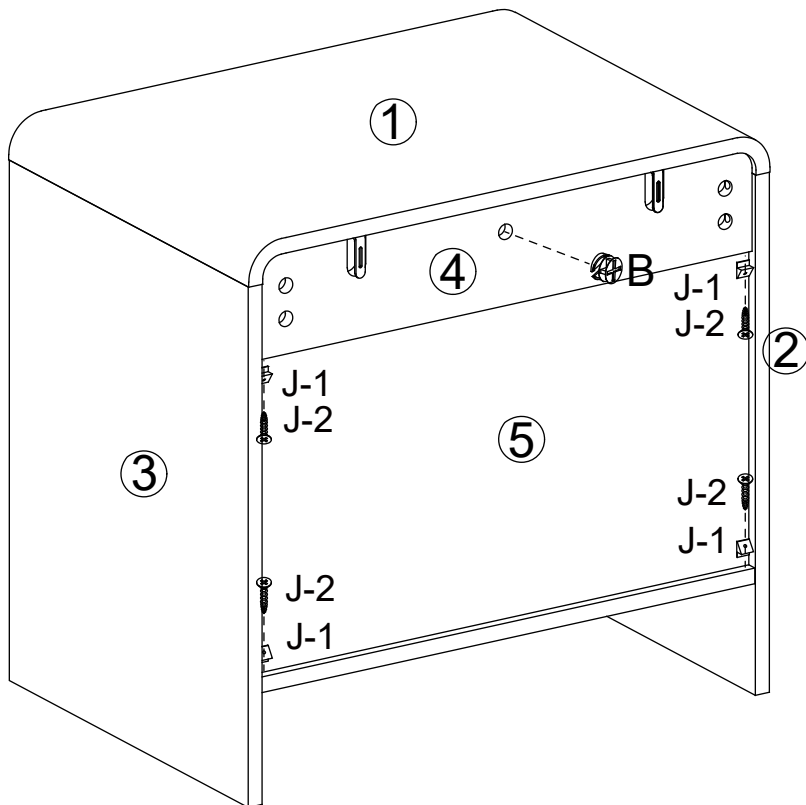
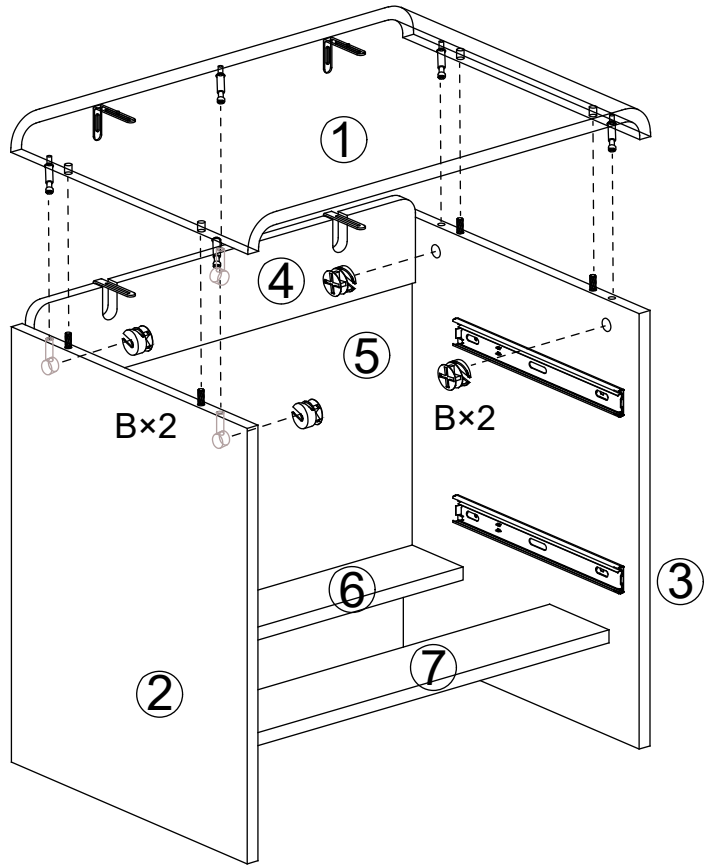
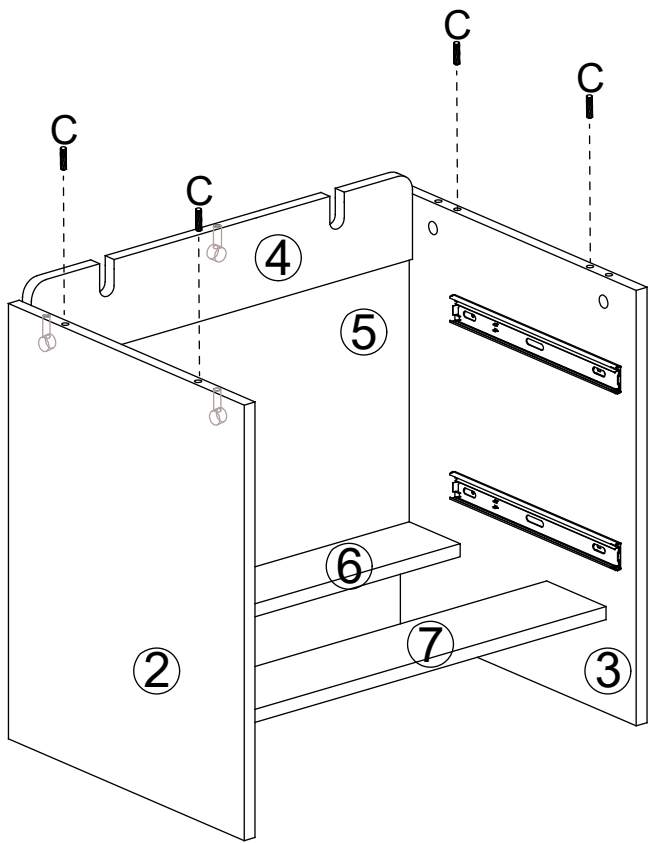
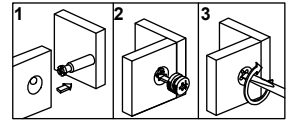





STEP 3



<p>A</p>  <p>x 5 pcs</p>	<p>B</p>  <p>Ø15x9.5mm x 6 pcs</p>	<p>E</p>  <p>x 2 pcs</p>
---	--	--

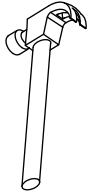
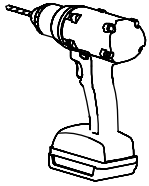
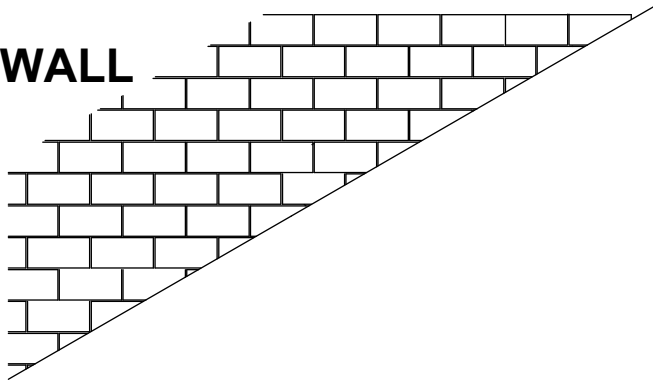
STEP 4



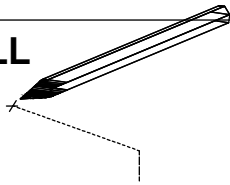
<p>C</p>  <p>Ø8x30mm x 4 pcs</p>	<p>B</p>  <p>Ø15x9.5mm x 5 pcs</p>	<p>J</p>  <p>Ø3x16 mm J-1 J-2 x 4 pcs</p>
--	--	---

STEP 5

WALL



WALL



I x2

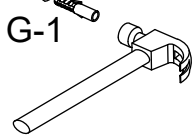
WALL

+
drilling hole
Ø6x30mm

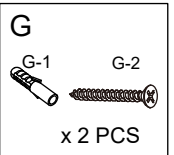
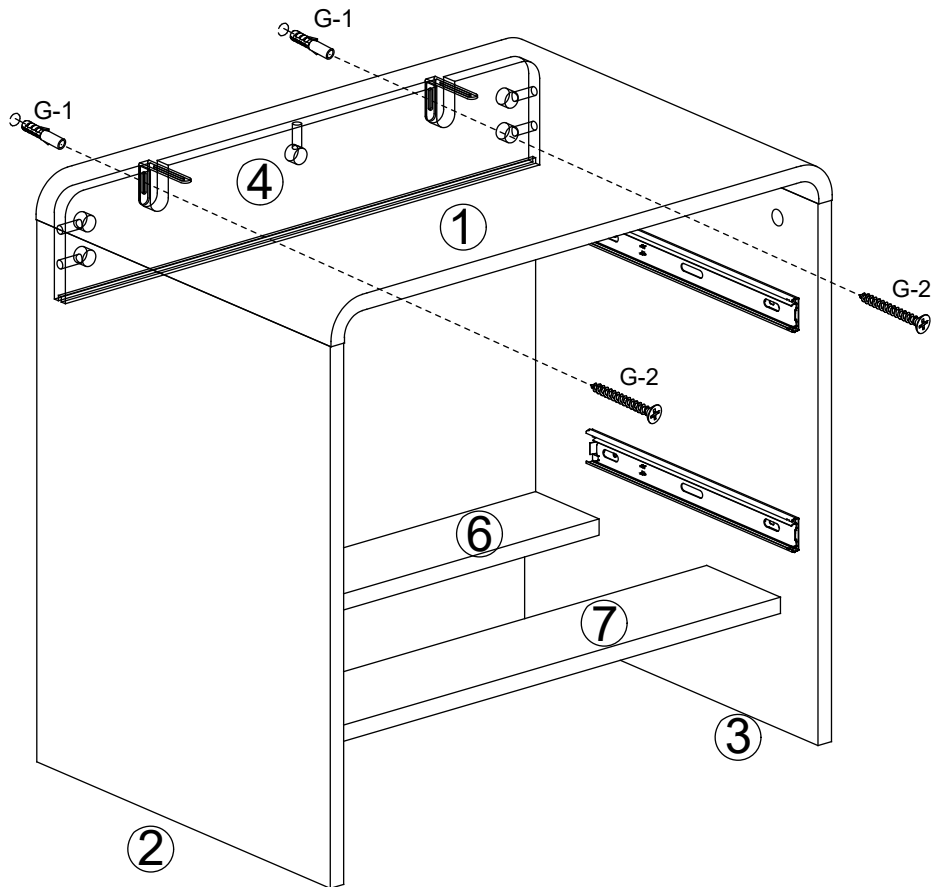


II x2

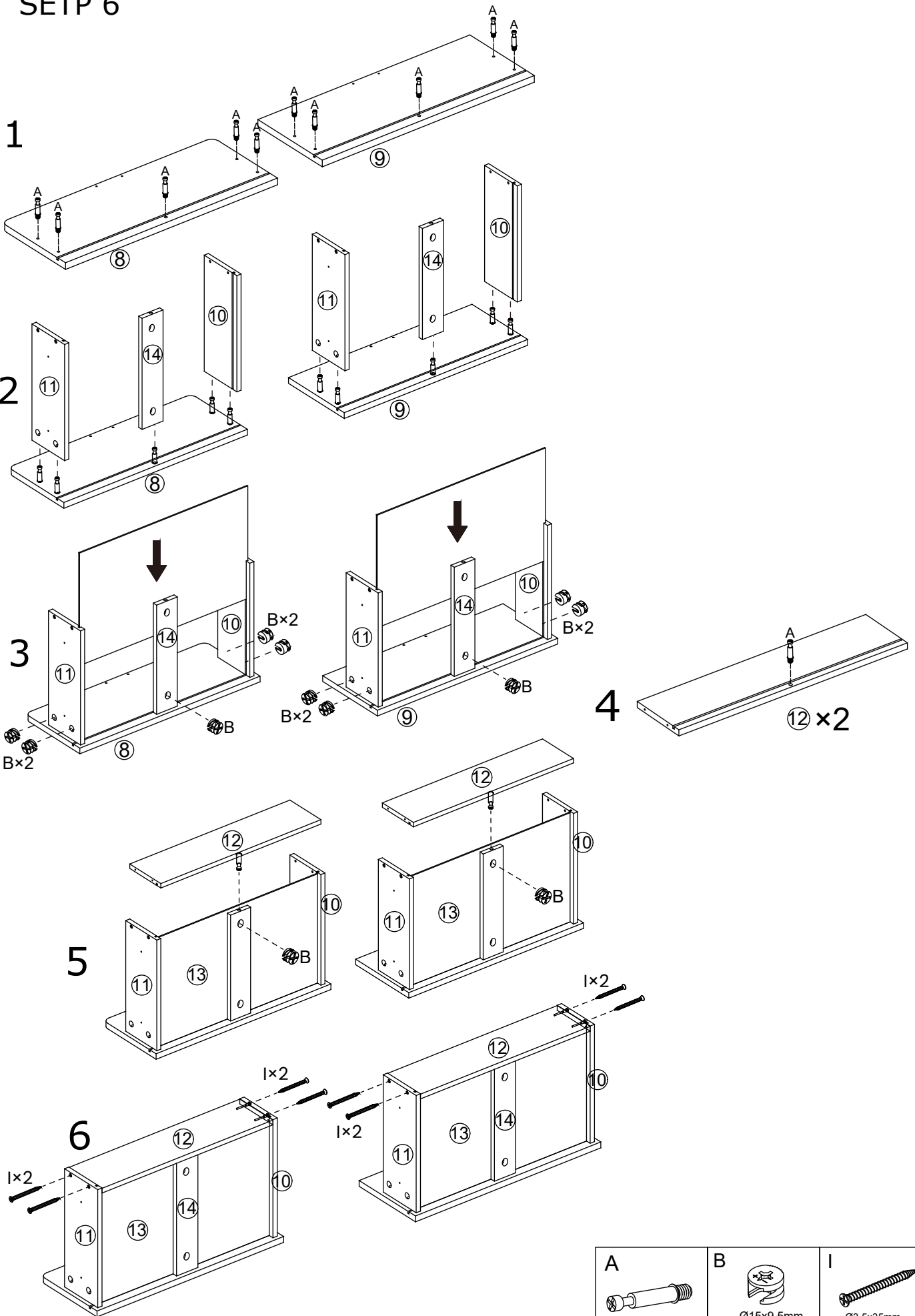
WALL

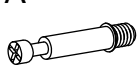




III x2

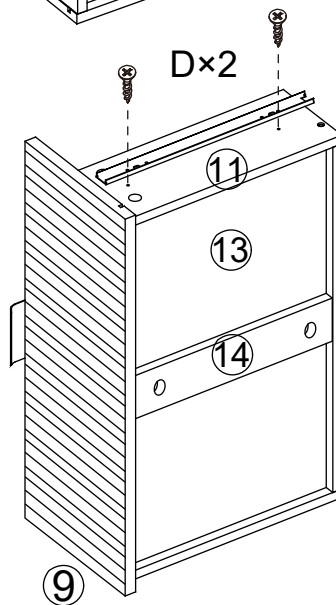
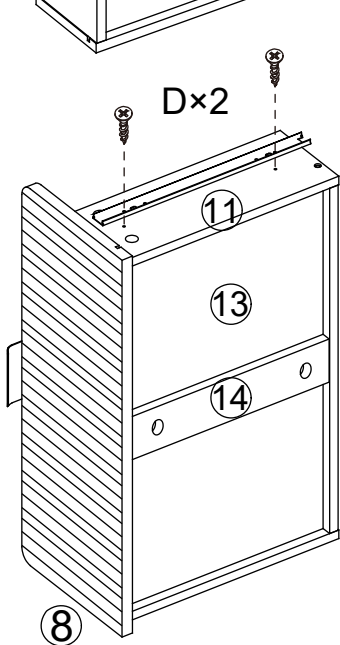
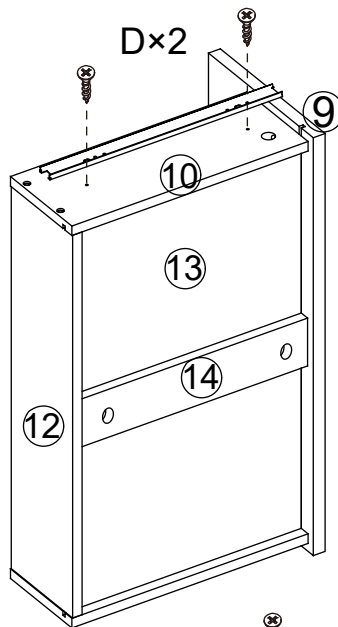
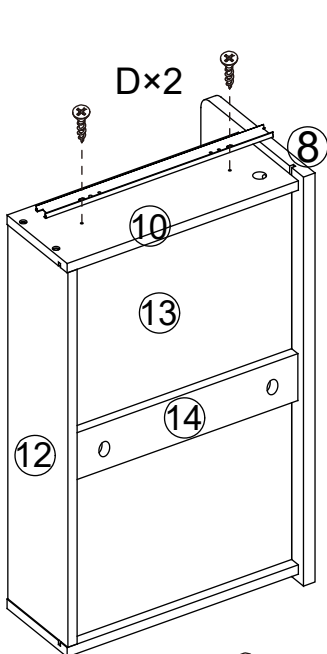
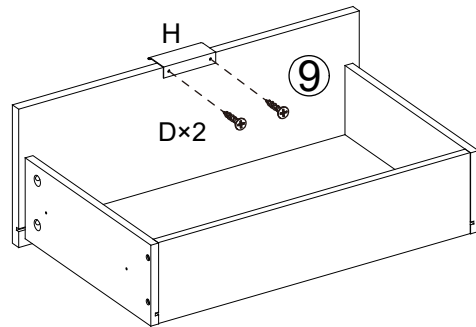
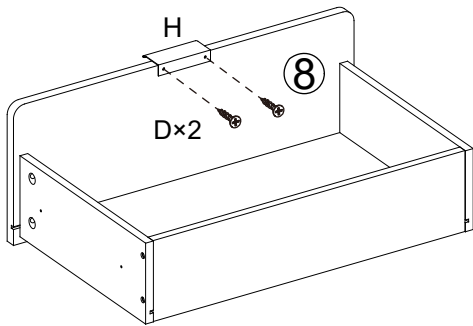


STEP 6



<p>A</p>  <p>x 12 pcs</p>	<p>B</p>  <p>Ø15x9.5mm x 12 pcs</p>	<p>I</p>  <p>Ø3.5x35mm x 8 pcs</p>
--	---	--

STEP 7



F-2

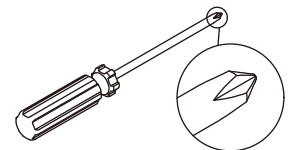


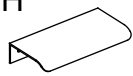

Please assembly screws in the holes marked with arrows

F-2



Please assembly screws in the holes marked with arrows



<p>H</p>  <p>x 2 pcs</p>	<p>D</p>  <p>Ø3.5x12 mm x 12 pcs</p>
--	--

SETP 8

