

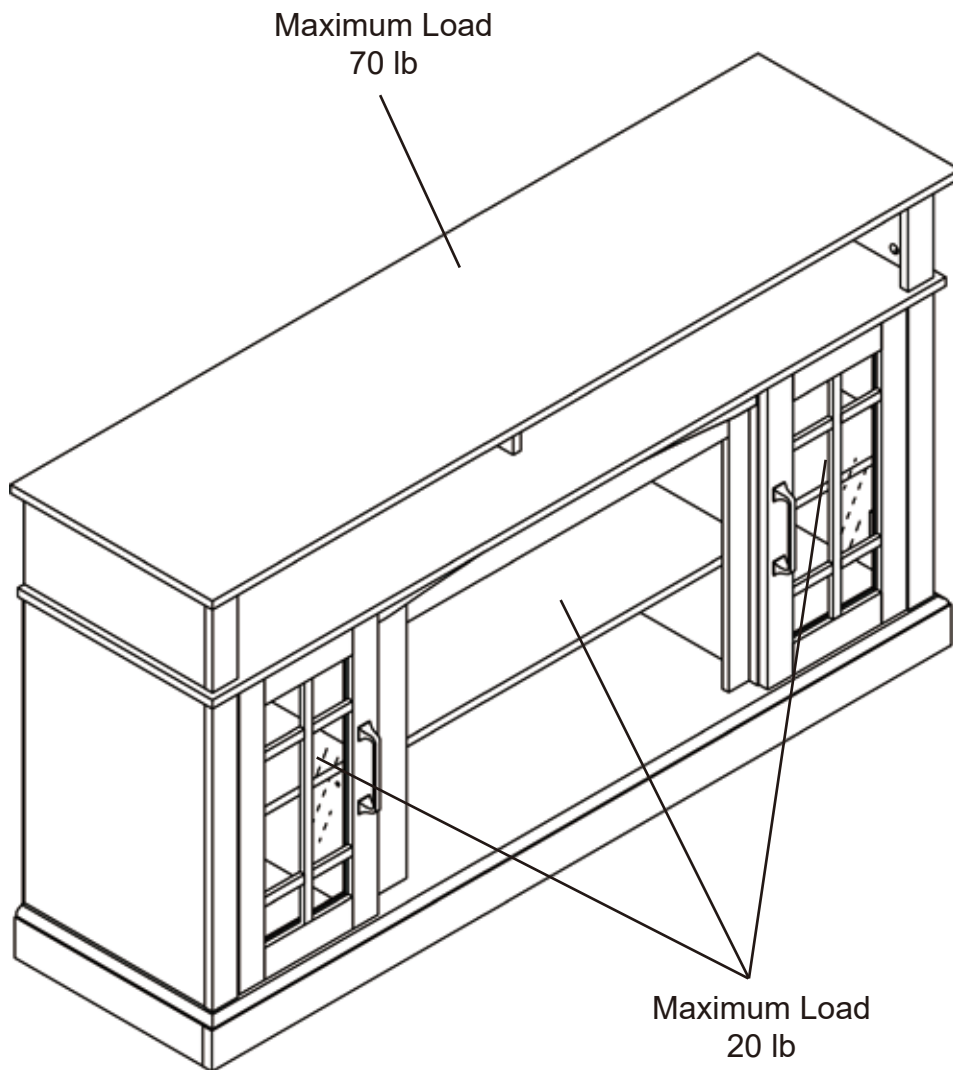


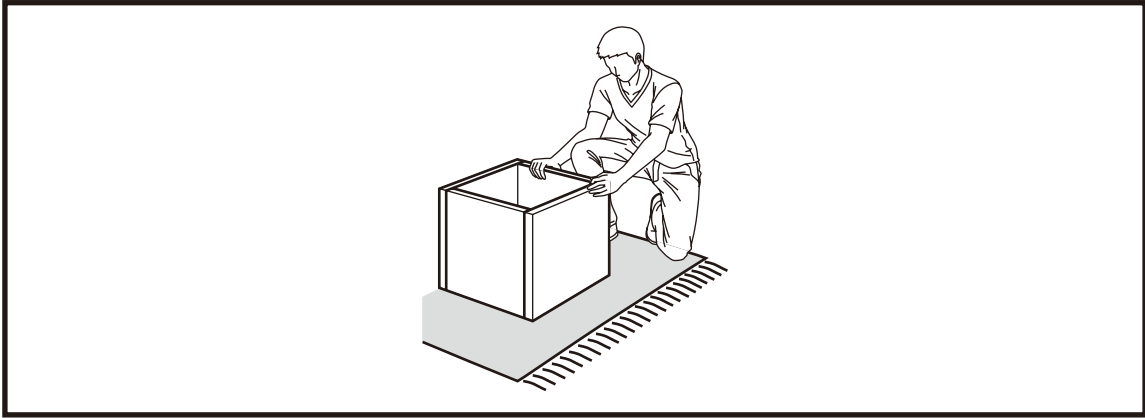
Estimated time for assembly:

**120 mins**



Weight limitations are as follows:

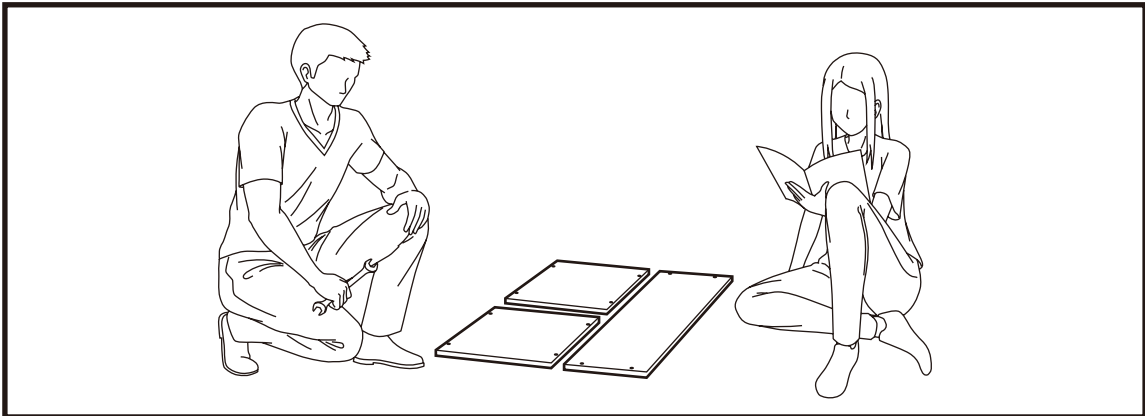




Assemble the furniture on an empty carton, carpet, or rug to prevent scratches or damage.

For safety, please keep pets and children away from the assembly area.

Ensure the product is fully assembled before use. If you are missing any hardware or products, do not use it until you have restored the missing parts.



This furniture requires 2 people for assembly.

Read this instruction manual prior to assembly to familiarize yourself with the various steps.

Lay out all components and hardware separately on a flat surface and make sure that no parts are missing or damaged before assembly. Do not destroy or discard any packaging until you are certain that you have all the necessary parts for assembly.

Hand tight all hardware and careful not to over tighten to avoid damaging the product.

## **CAUTION**

There are small components used in the construction of this product. Loose items should be kept away from pets and children to avoid a choking hazard.

Keep all plastic bags and packaging film away from pets and children to avoid suffocation.



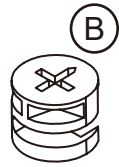
# PACKAGE CONTENTS

CODE	DESCRIPTION	QTY
1	Top Panel	1
2	Bottom Panel	1
3	Upper Shelf Panel	1
4	Bottom Side Panel	2
5	Bottom Medial Panel	2
6	Bottom Shelf Panel	2
7	Upper Side Panel	2
8	Upper Support Strip	2
9	Upper Medial Panel	1
10	Crossbar	1
11	Decoration Arch	1
12	Bottom Left Support Strip	1
13	Bottom Right Support Strip	1
14	Bottom Side Back Panel	2
15	Upper Back Panel	1
16	Front Base Panel	1
17	Back Base Panel	1
18	Left Base Panel	1
19	Right Base Panel	1
20	Center Base Panel	1
21	Cabinet Door	2
22	Top Garnishing Strip	1
23	Center Shelf Panel	1
24	Center Back Panel	1

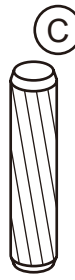
# PACKAGE CONTENTS



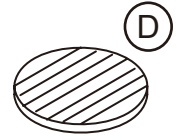
54x + 4x



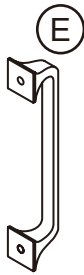
54x + 4x



32x + 3x



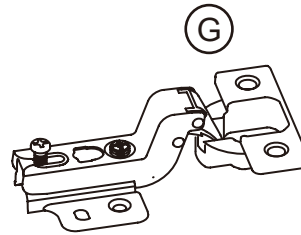
54x + 4x



2x



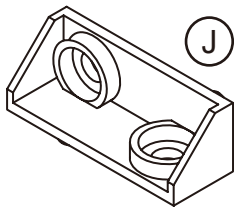
4x



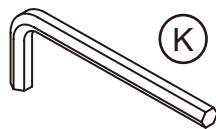
4x



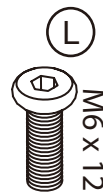
24x + 2x



12x



1x



24x + 2x

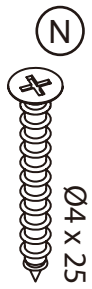


12x + 1x



Install all hardware perpendicular to the opening.

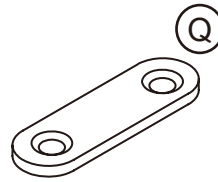
# PACKAGE CONTENTS



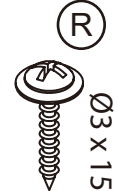
4x



4x



2x



37x + 3x



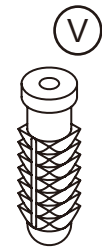
2x



2x



2x

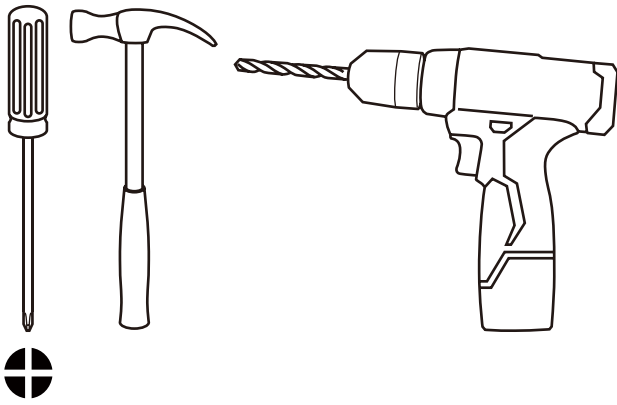


2x



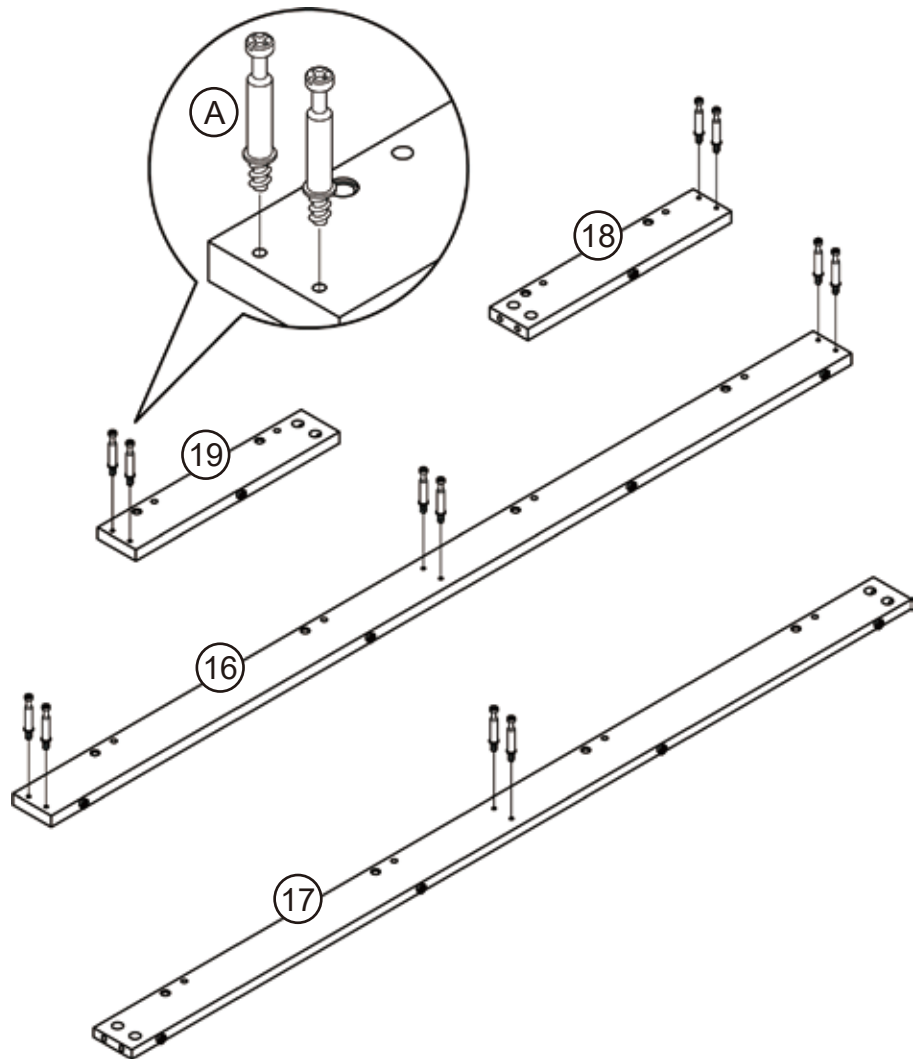
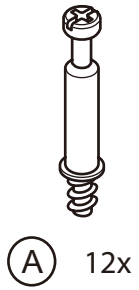
Install all hardware perpendicular to the opening.

Required tools for assembly (Not included)



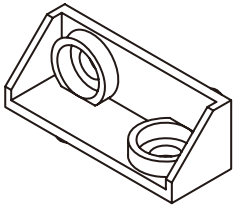
**1**

Insert cam bolts to the front, back, left, and right base panels (16, 17, 18, 19).

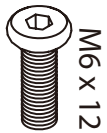


# 2

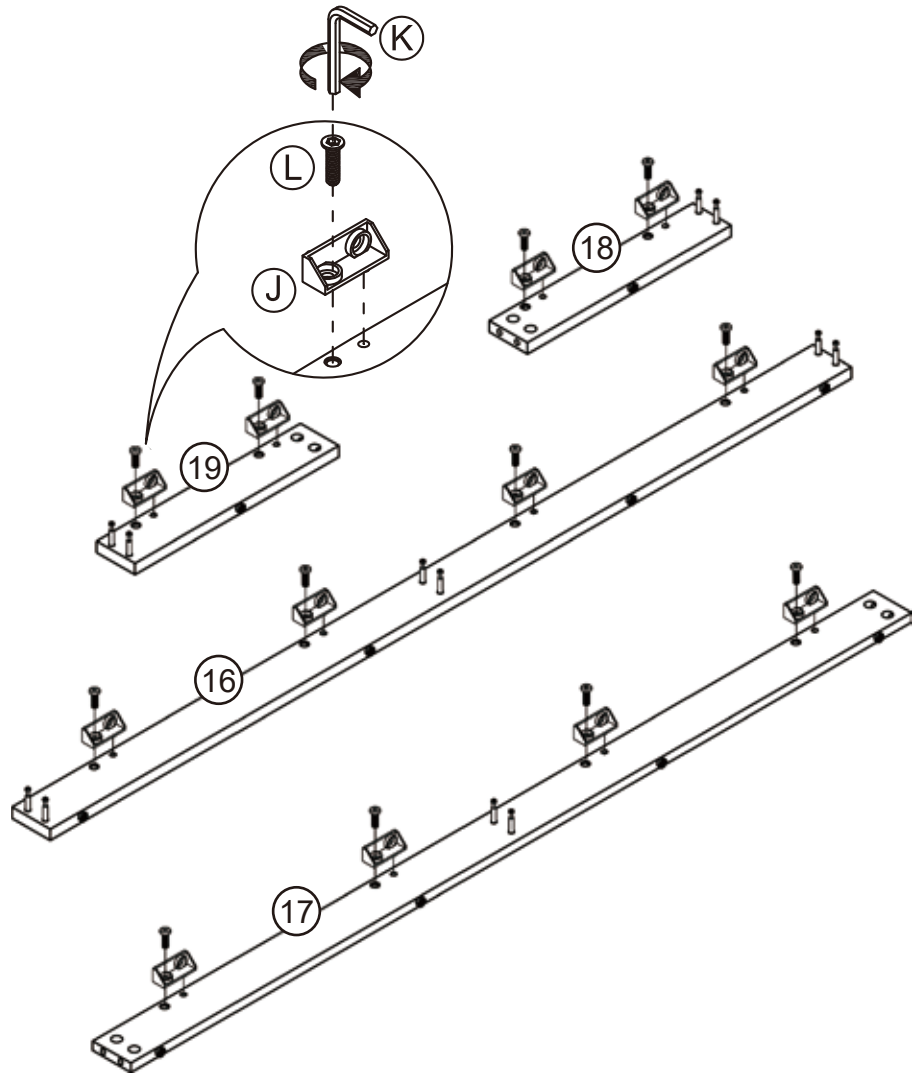
Attach corner connectors to the front, back, left, and right base panels (16, 17, 18, 19).



(J) 12x



(L) 12x

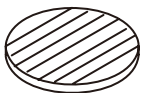


# 3

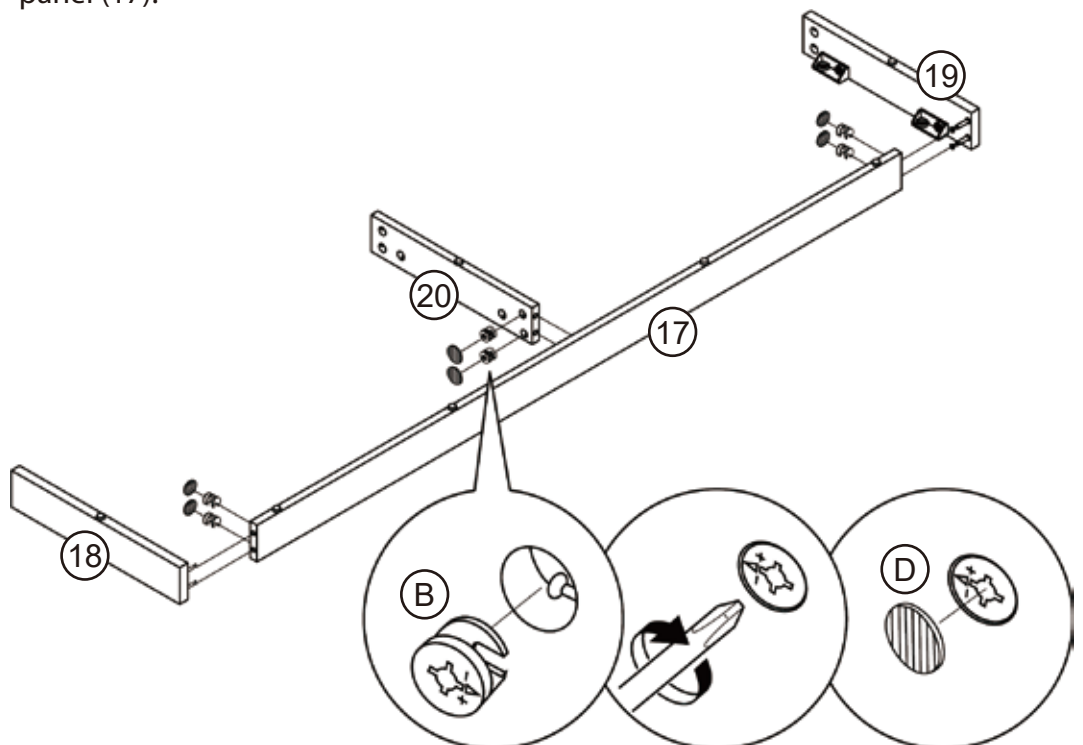
Assemble the left, right, and center base panel (18, 19, 20) to the back base panel (17).



(B) 6x

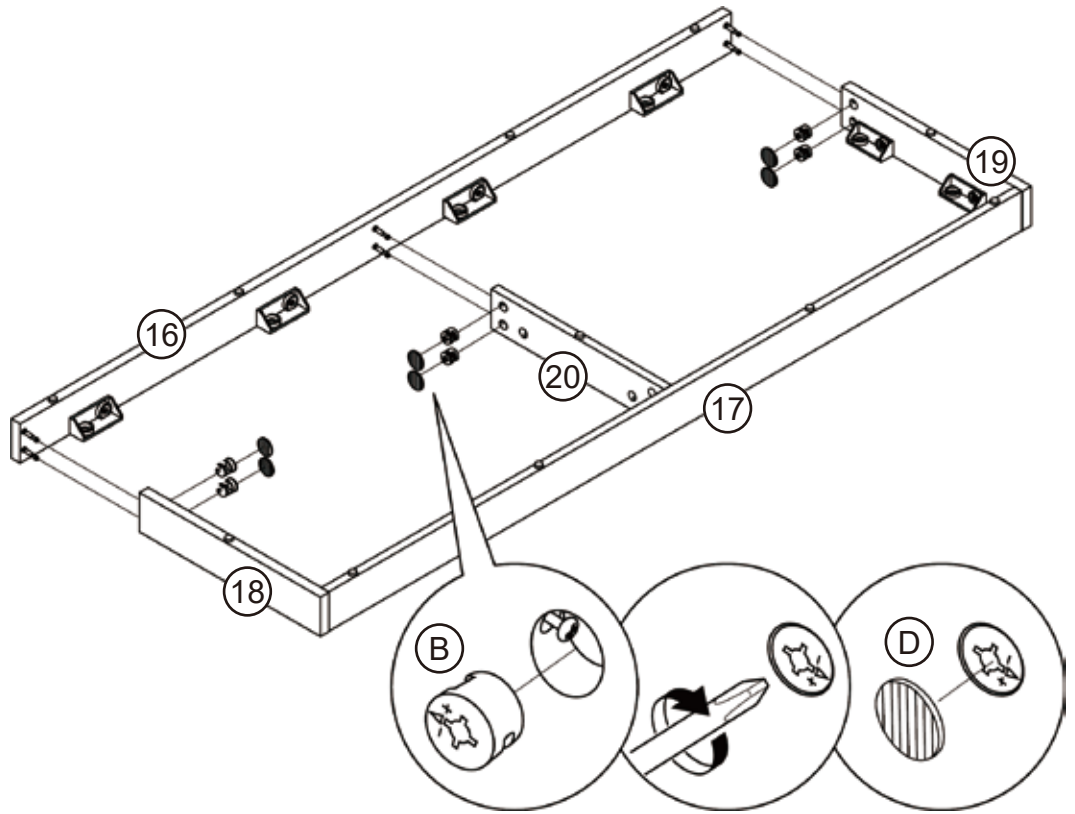
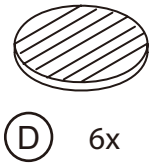


(D) 6x



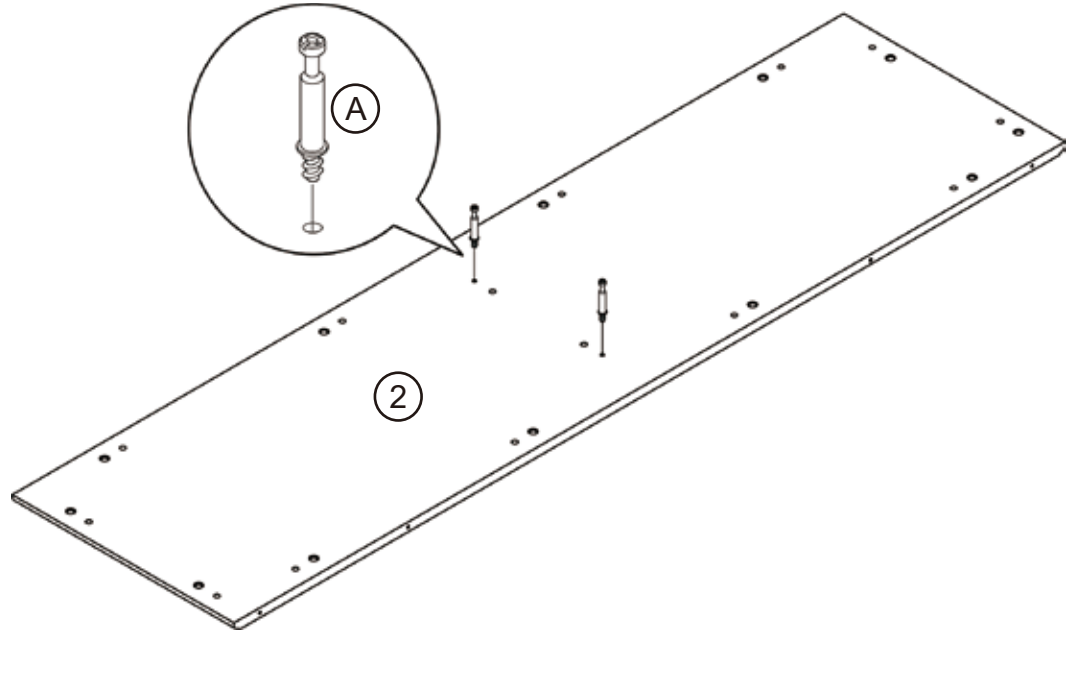
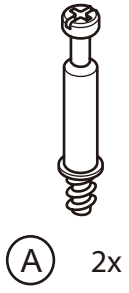
# 4

Assemble the front base panel (16) to the base assembly.



# 5

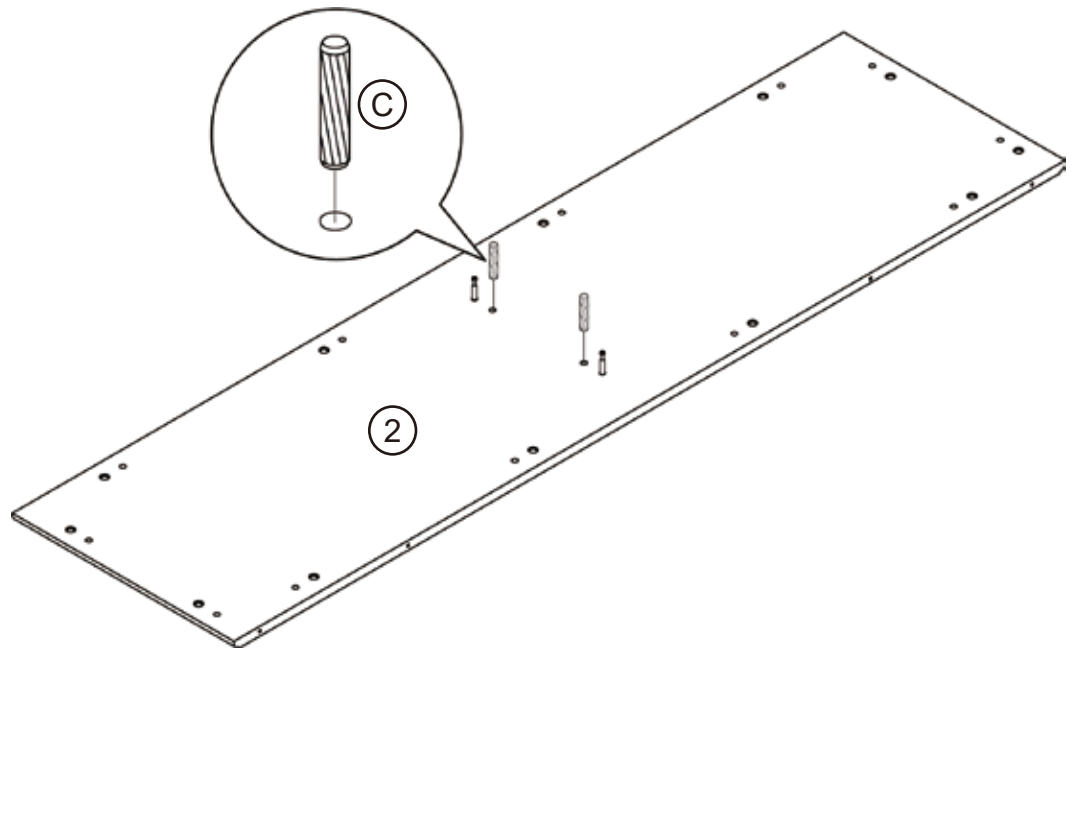
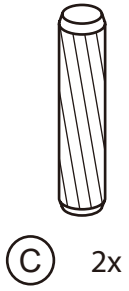
Attach cam bolts to the underside of the bottom panel (2).



---

# 6

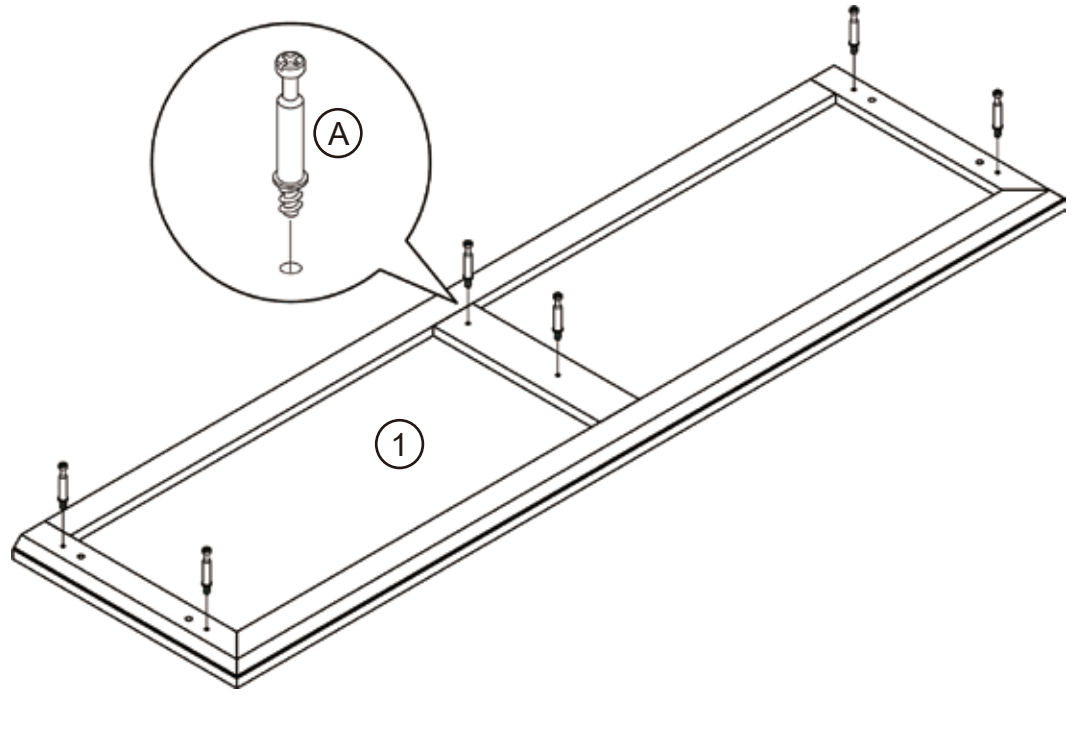
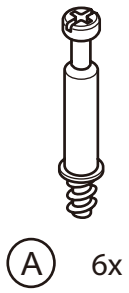
Insert wood dowels to the underside of the bottom panel (2).





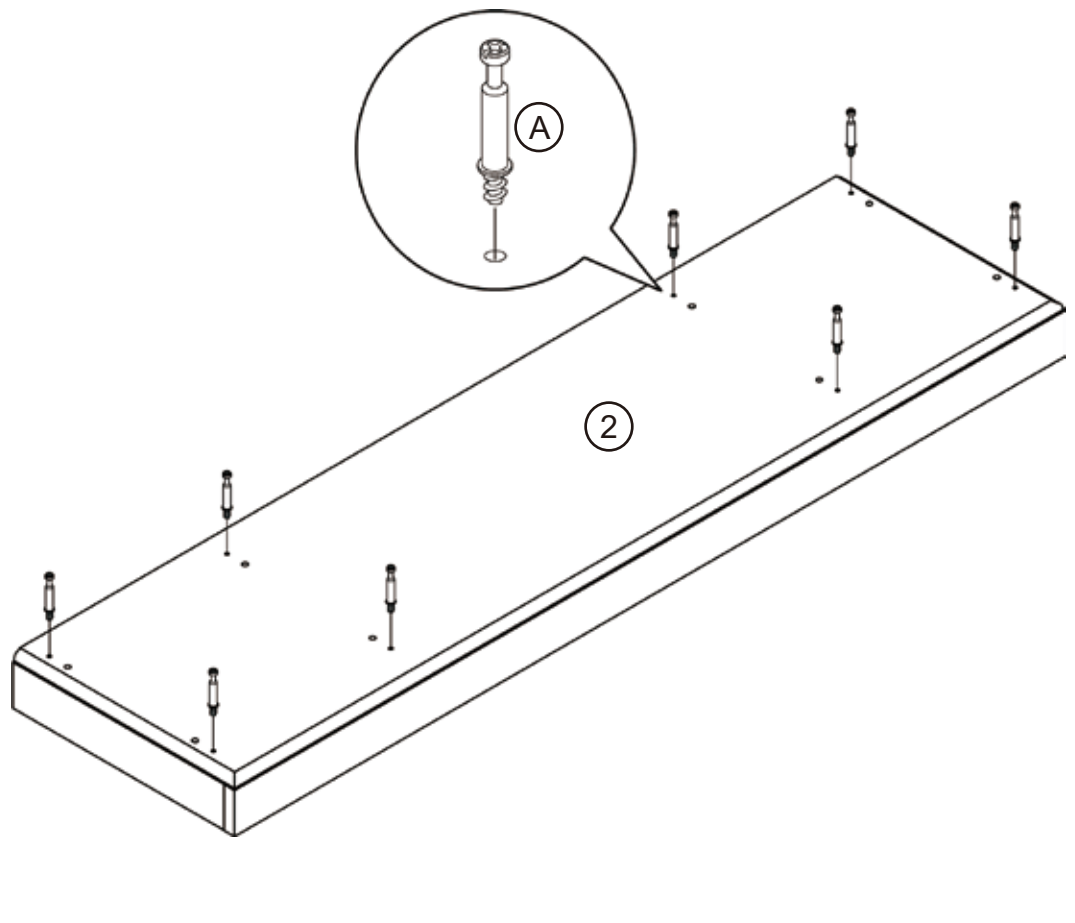
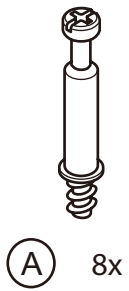
# 9

Attach cam bolts to the underside of the top panel (1).



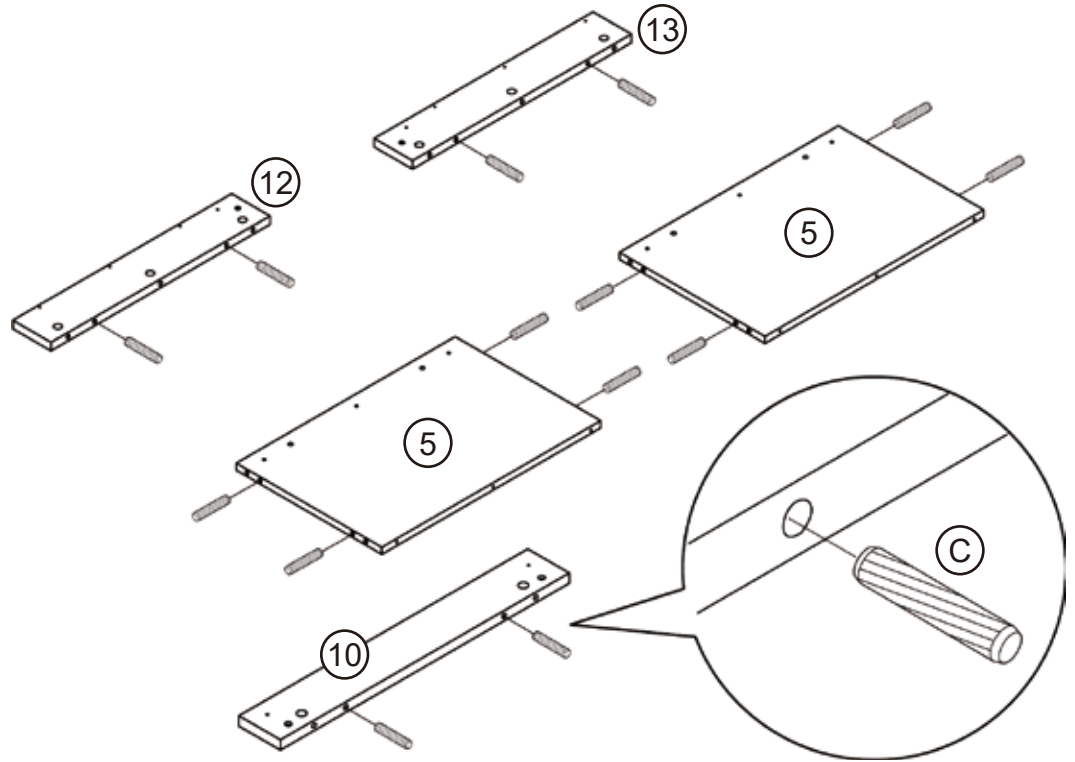
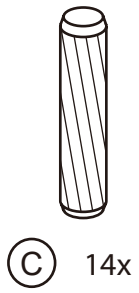
# 10

Attach cam bolts to the bottom panel (2).



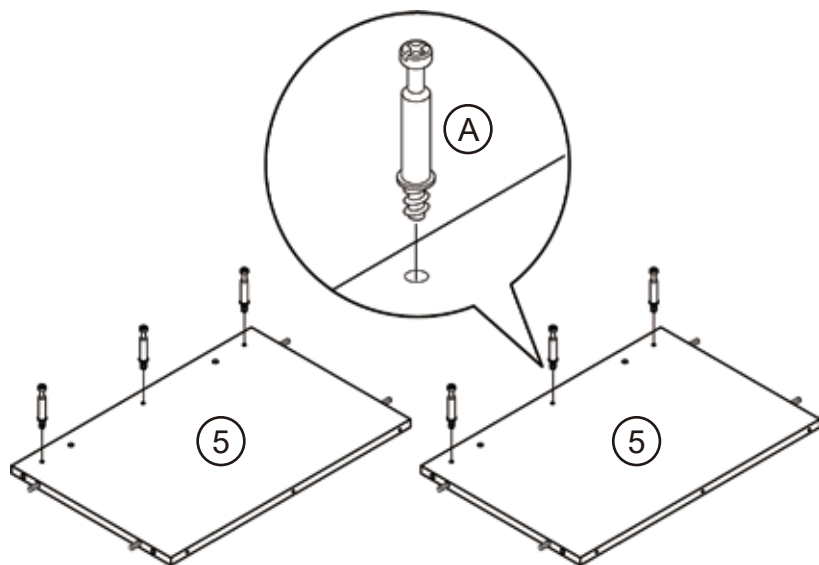
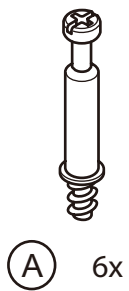
# 11

Insert wood dowels to the bottom medial panels (5), crossbar (10), bottom left support strip (12), and bottom right support strip (13).



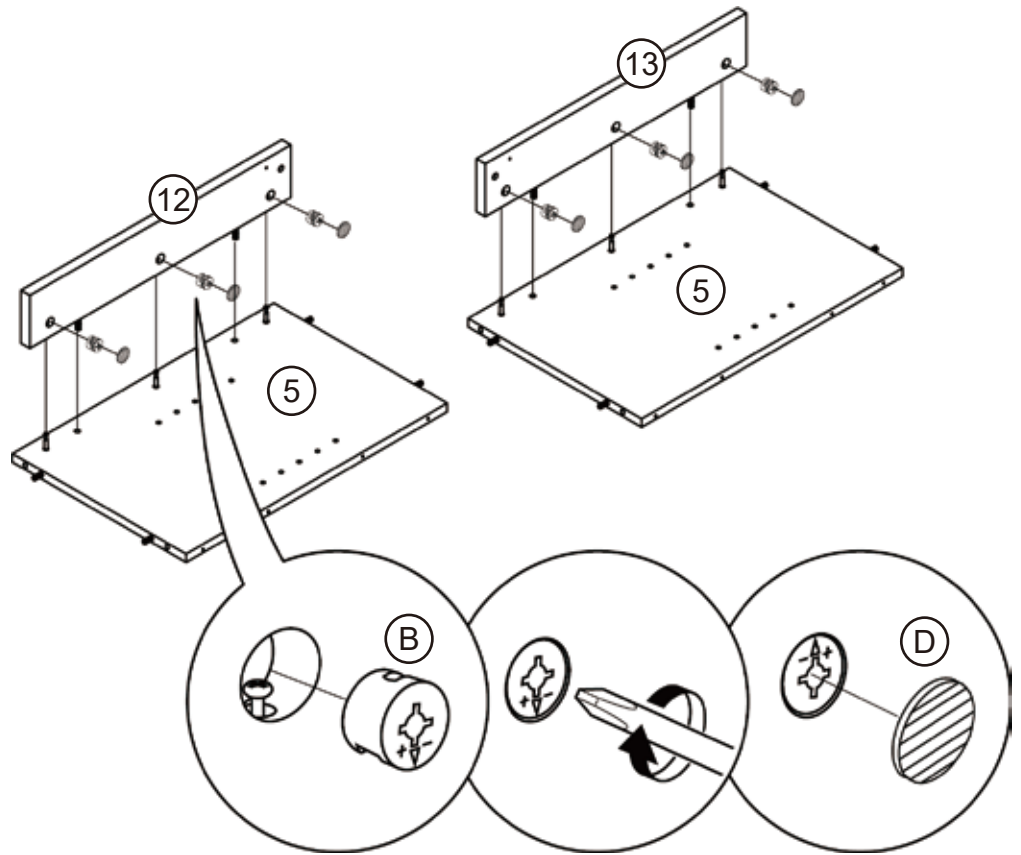
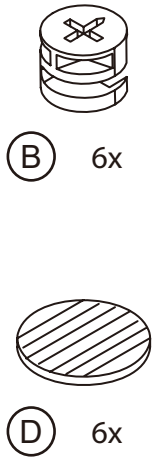
# 12

Attach cam bolts to the bottom medial panels (5).



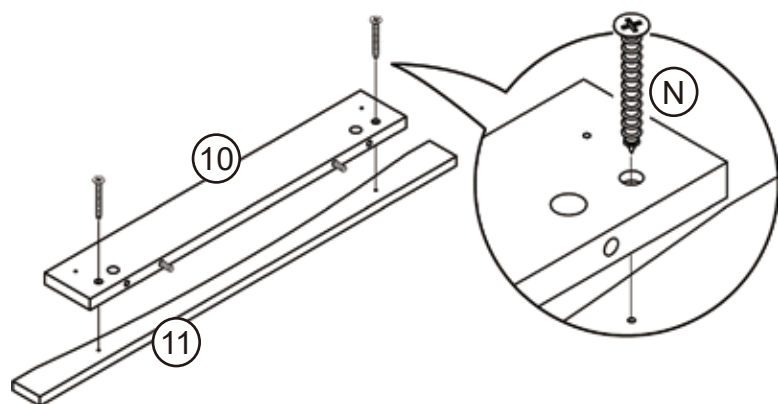
# 13

Assemble the bottom left support strip (12) to a bottom medial panel (5).  
Assemble the bottom right support strip (13) to a bottom medial panel (5).



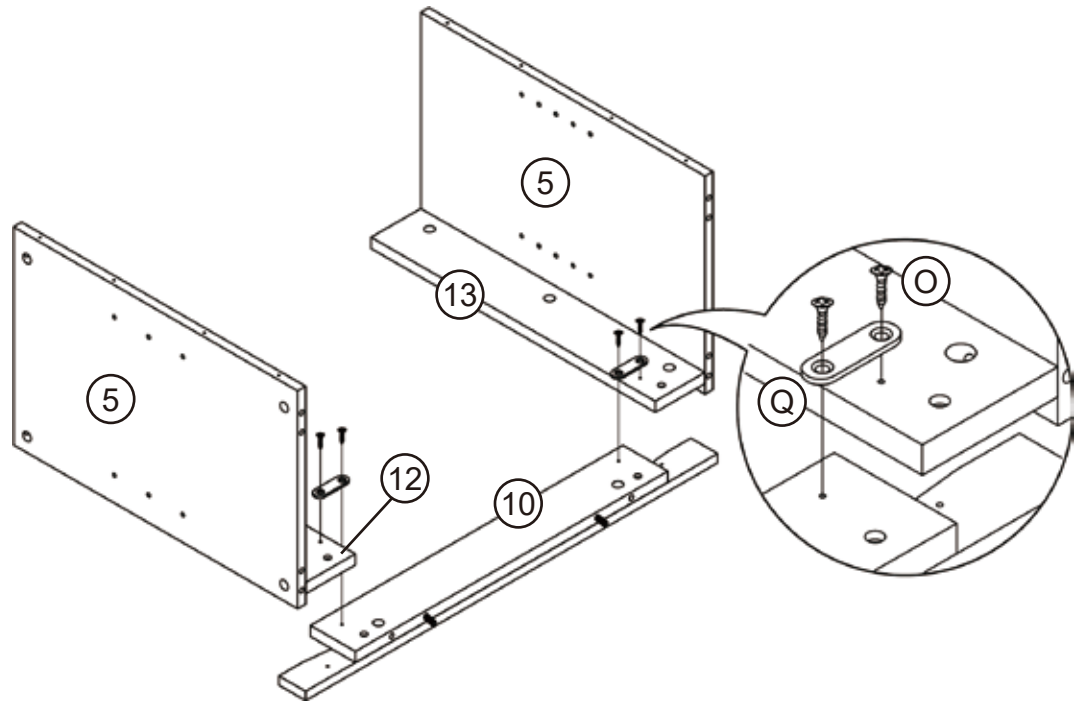
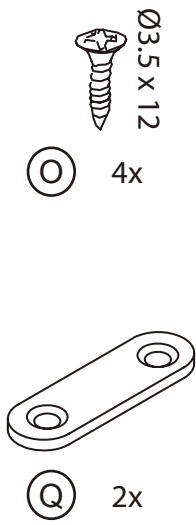
# 14

Assemble the crossbar (10) to the decoration arch (11).



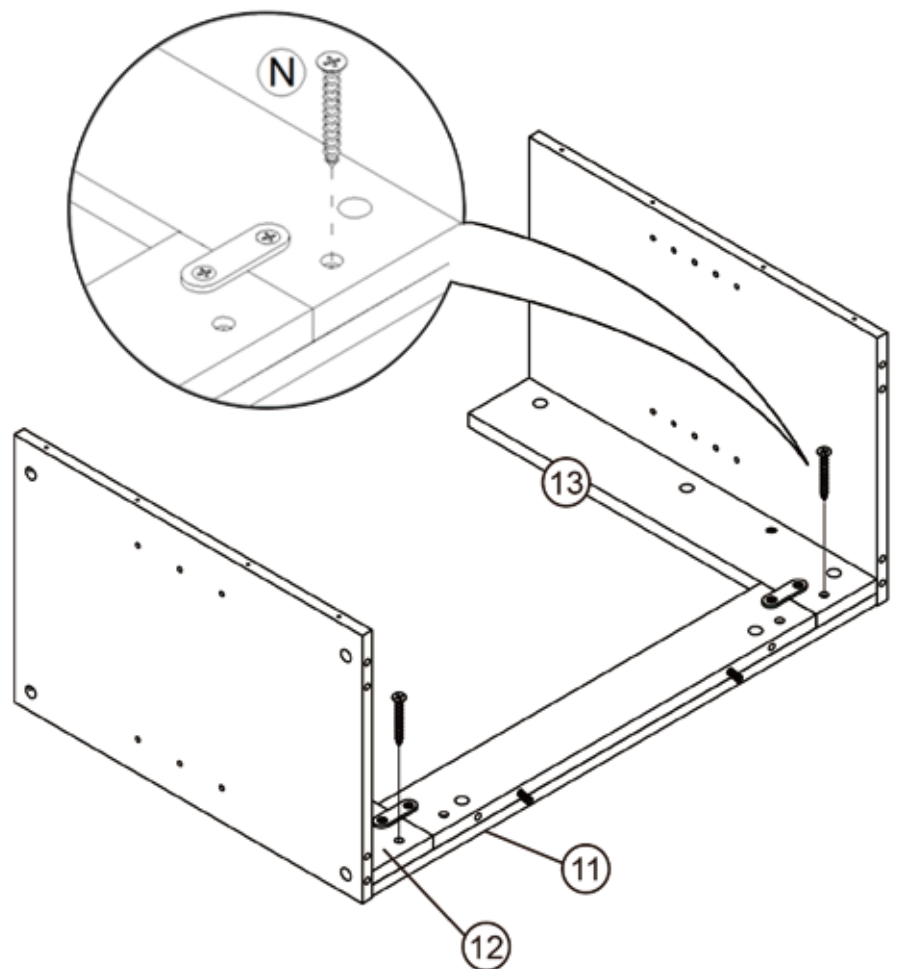
# 15

Connect the bottom left and right support strips (12, 13) to the crossbar (10)



# 16

Secure the bottom left and right support strips (12, 13) to the decoration arch (11).

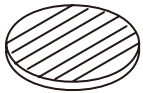


# 17

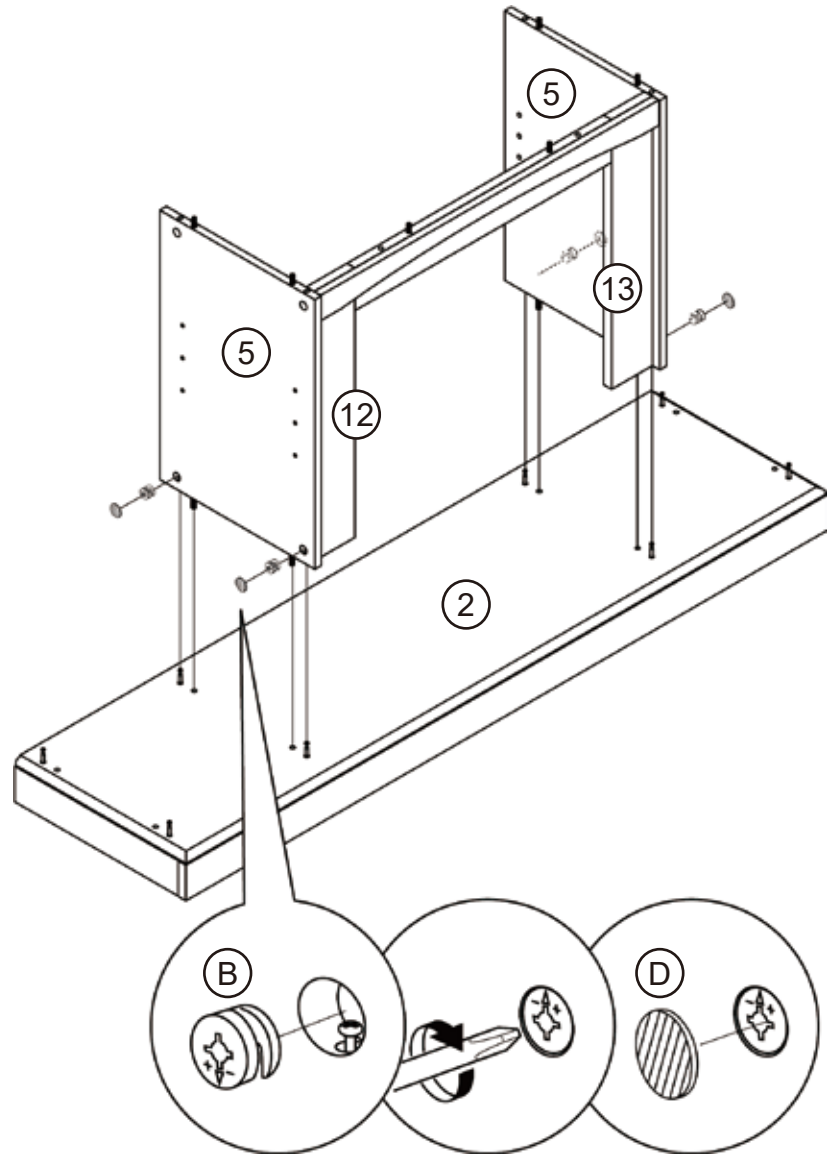
Assemble the fireplace mantel on top of the bottom panel (2).



(B) 4x

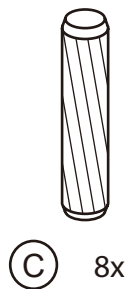


(D) 4x

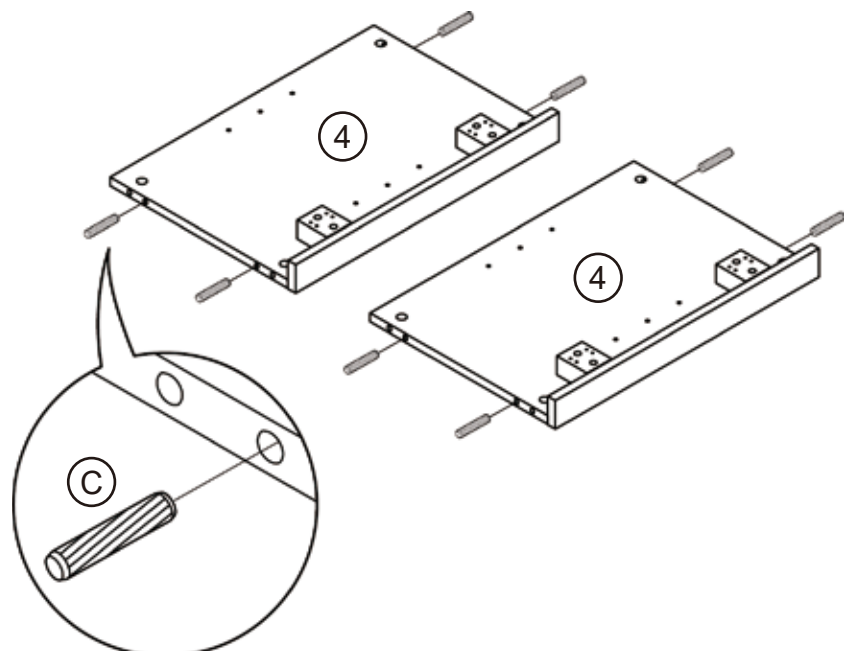


# 18

Insert wood dowels to the bottom side panels (4)

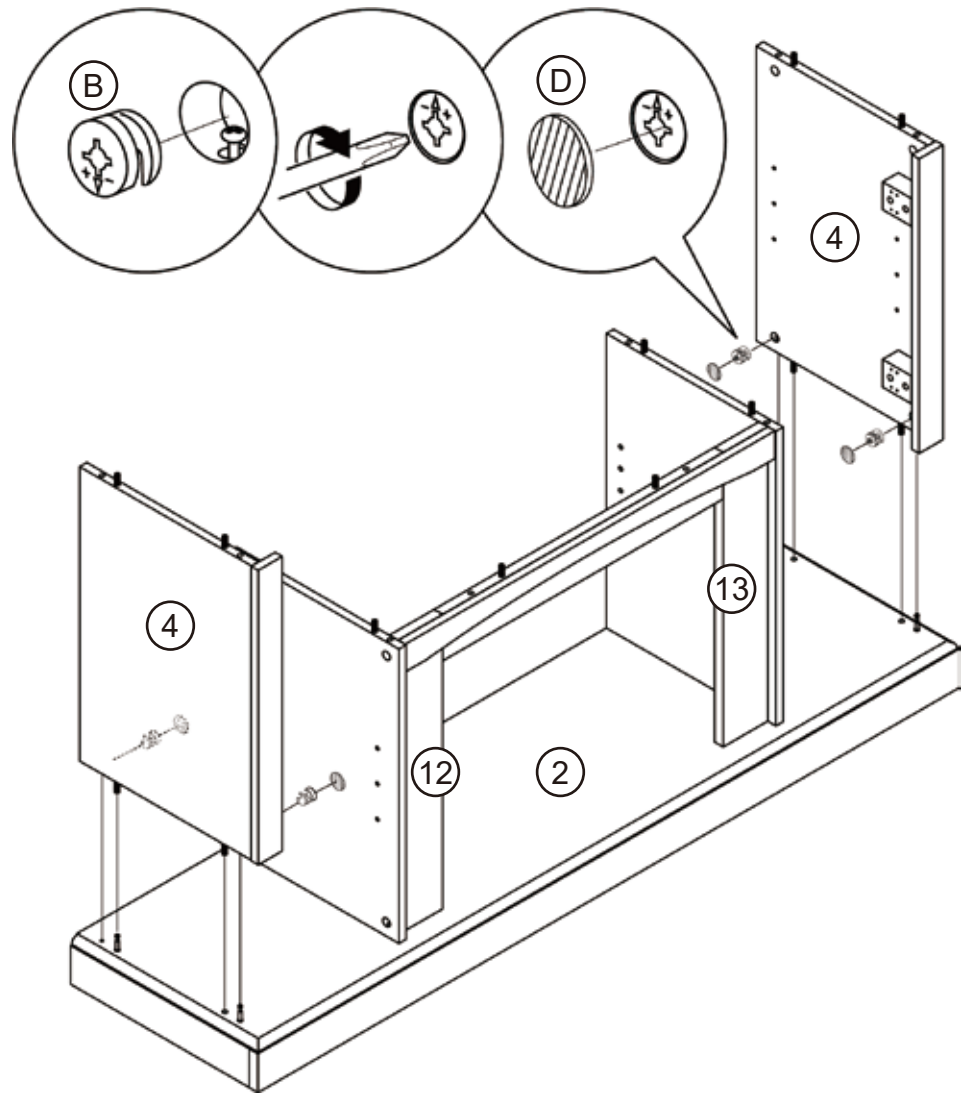
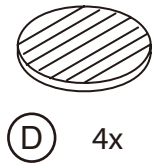


(C) 8x



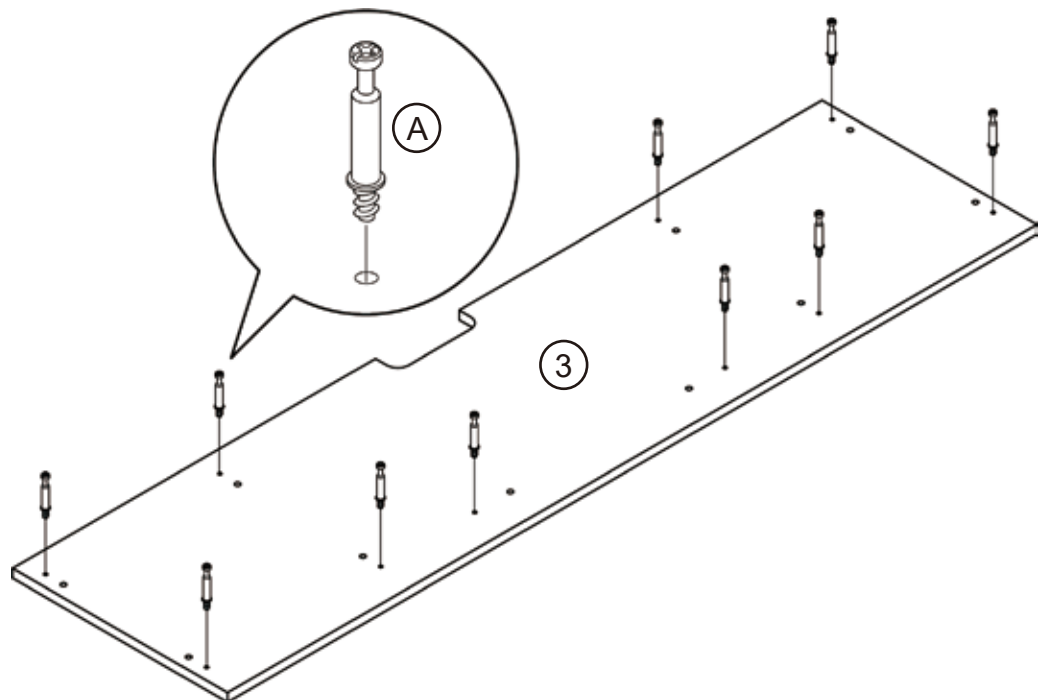
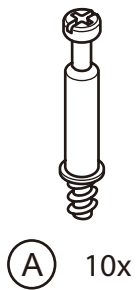
# 19

Assemble side panels (4) on top of the bottom panel (2).



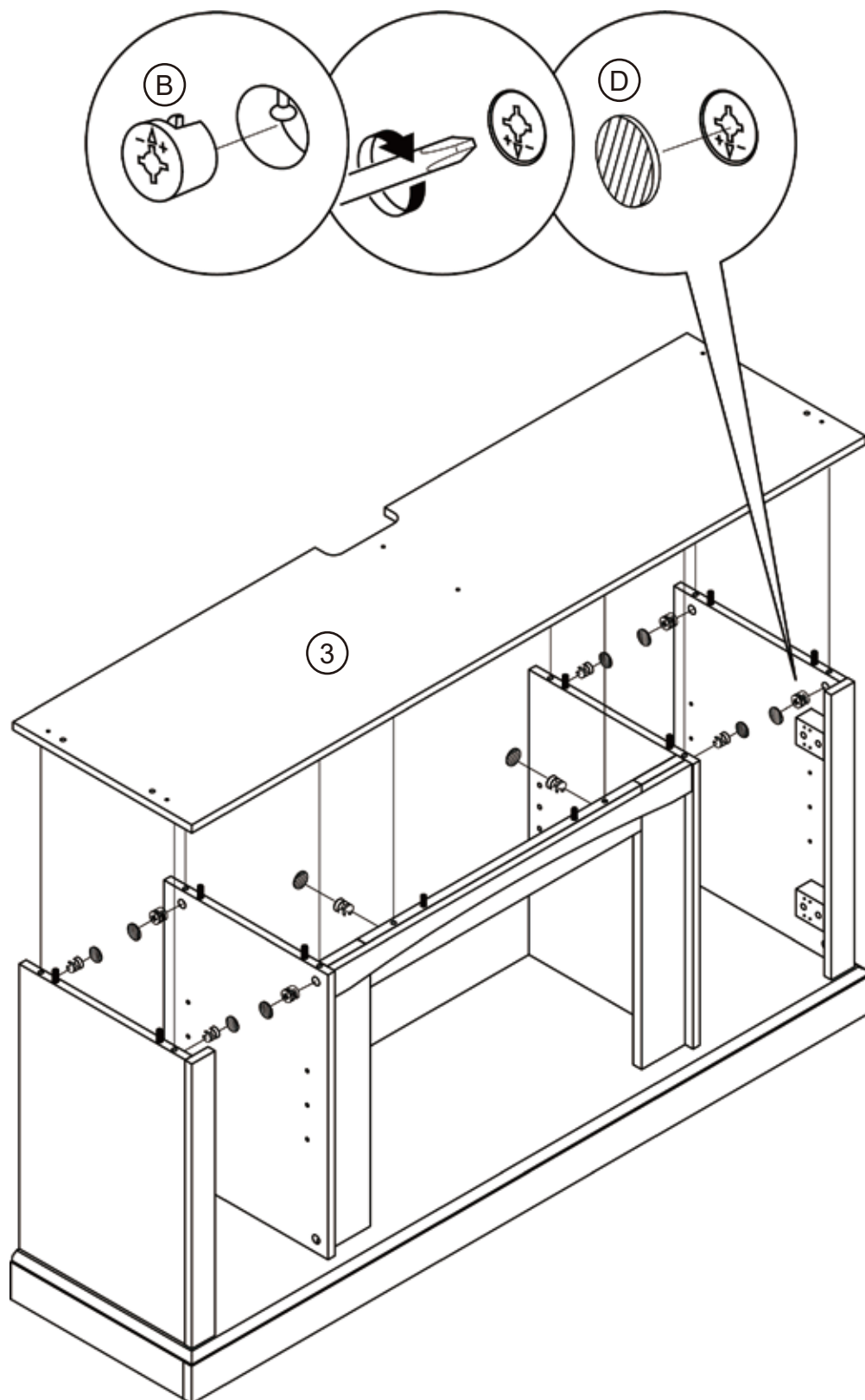
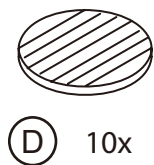
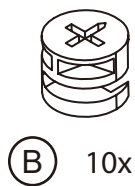
# 20

Attach cam bolts to the underside of the upper shelf panel (3).



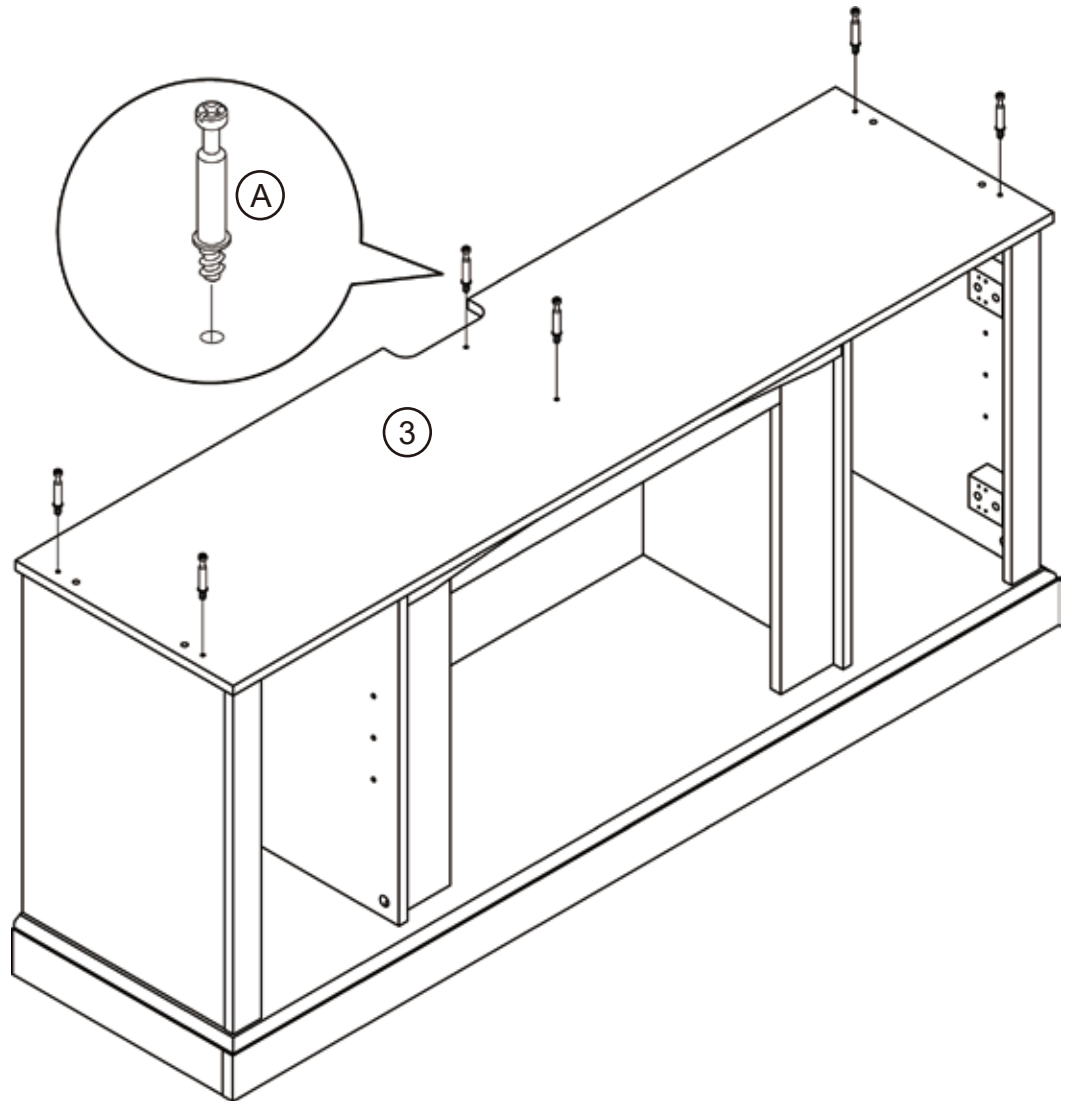
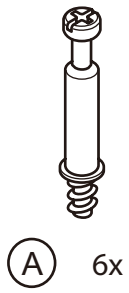
# 21

Assemble the upper shelf panel (3) on top of the bottom cabinet assembly.



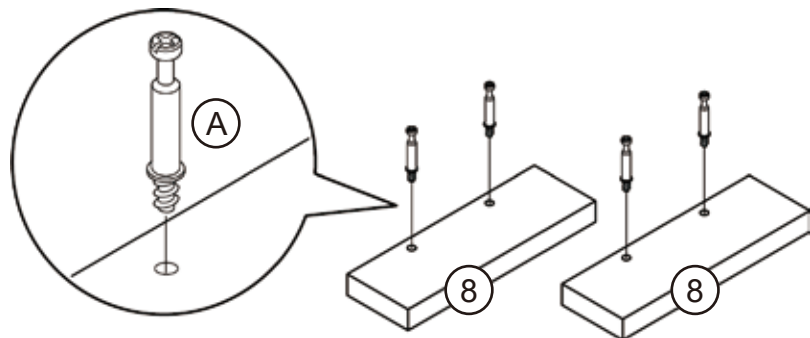
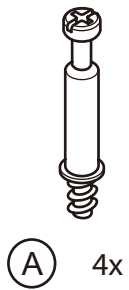
# 22

Attach cam bolts to the upper shelf panel (3).



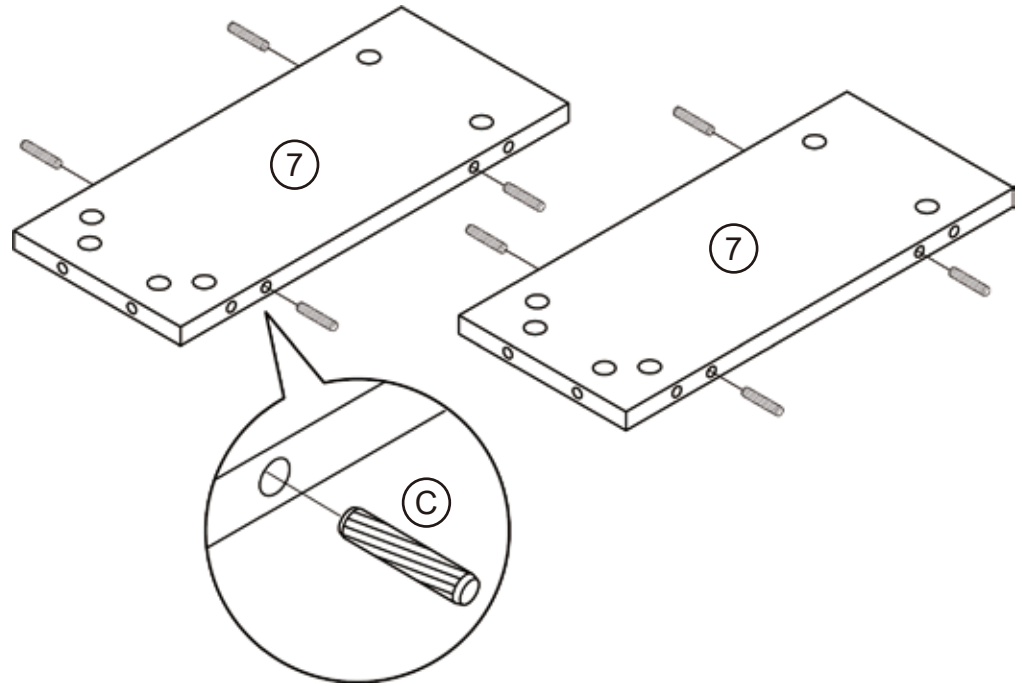
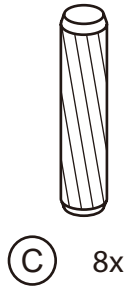
# 23

Attach cam bolts to the upper support strips (8).



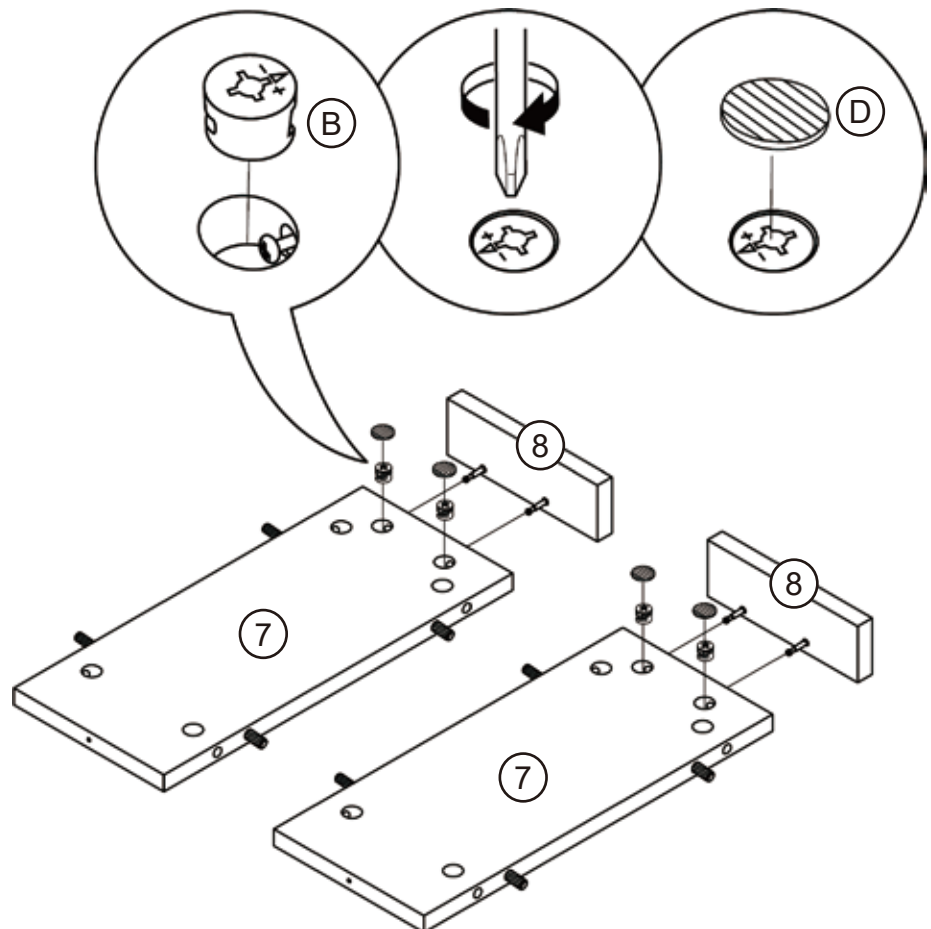
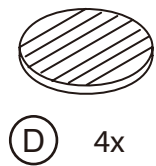
# 24

Insert wood dowels to the upper side panels (7).



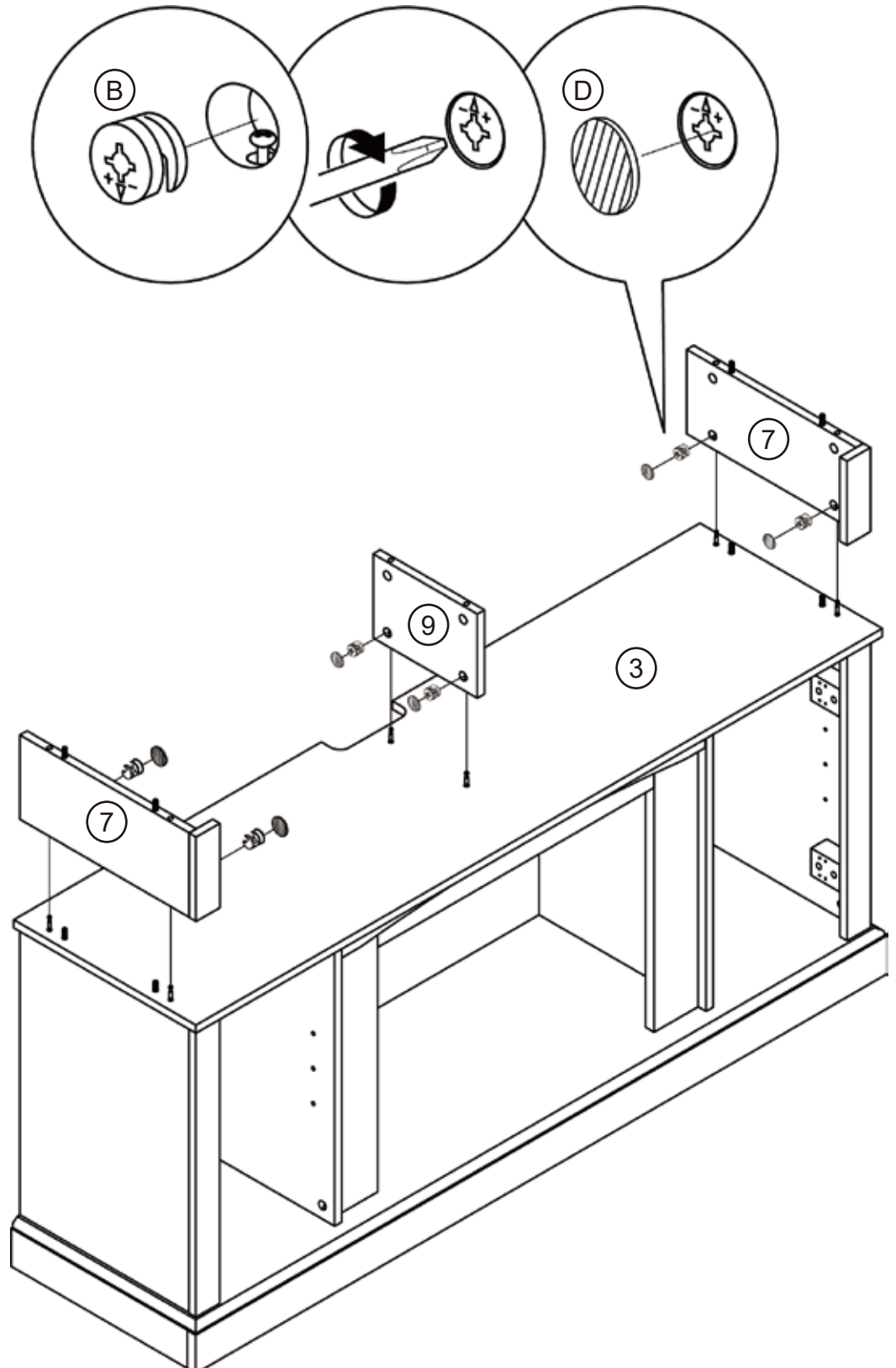
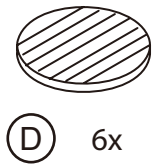
# 25

Attach the upper support strips (8) to the upper side panels (7)



# 26

Assemble the upper side panels (7) and the upper medial panel (9) on top of the upper shelf panel (3)



# 27

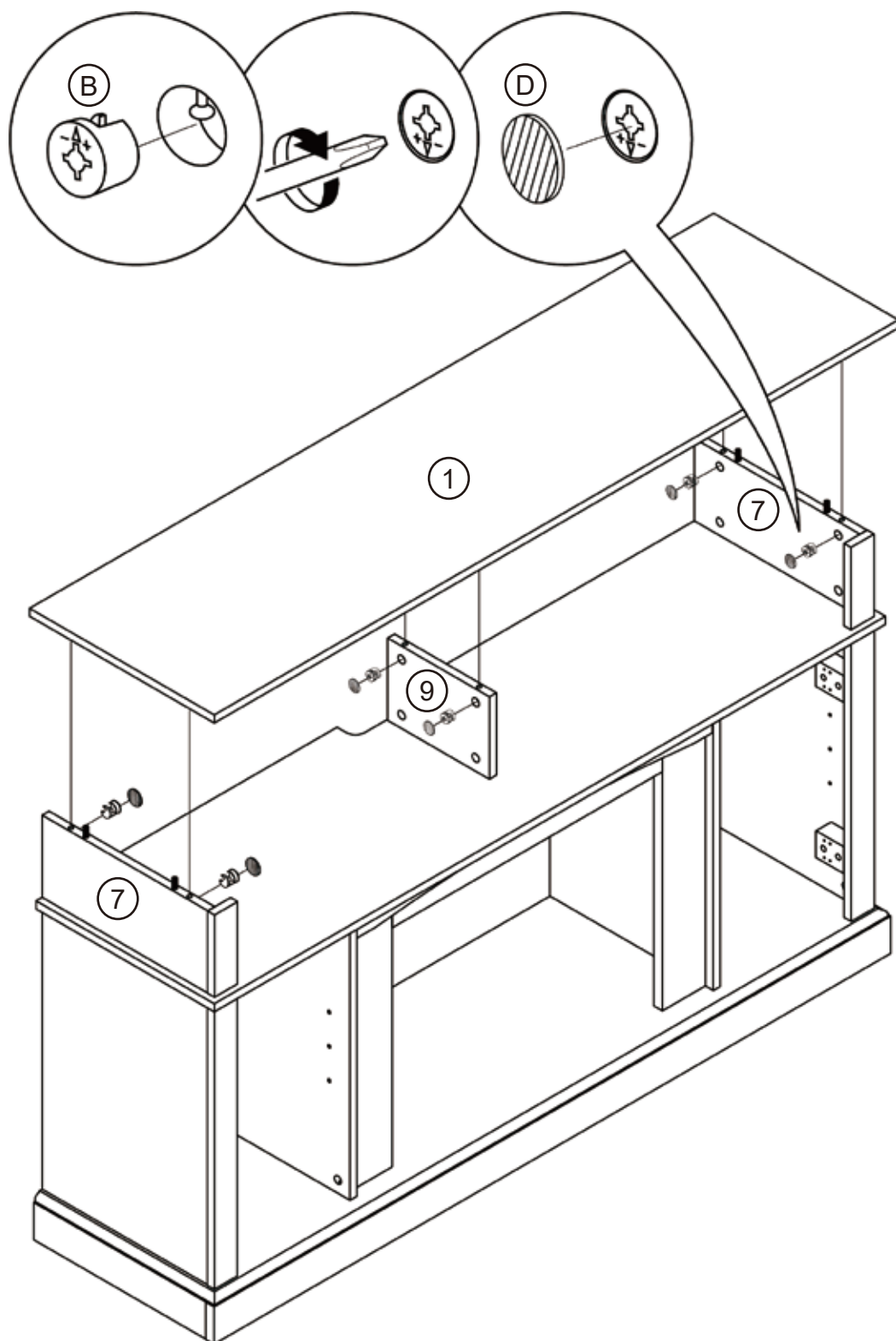
Assemble the top panel (1) on top of the upper side panels and medial panel.



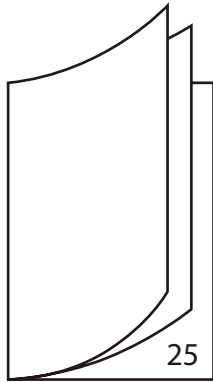
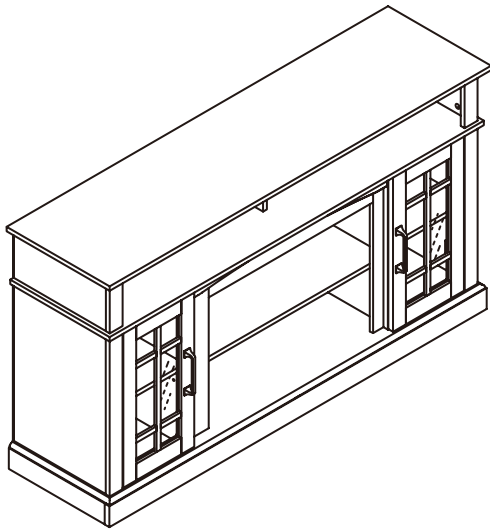
(B) 6x



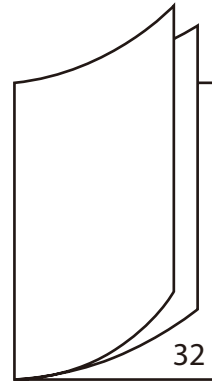
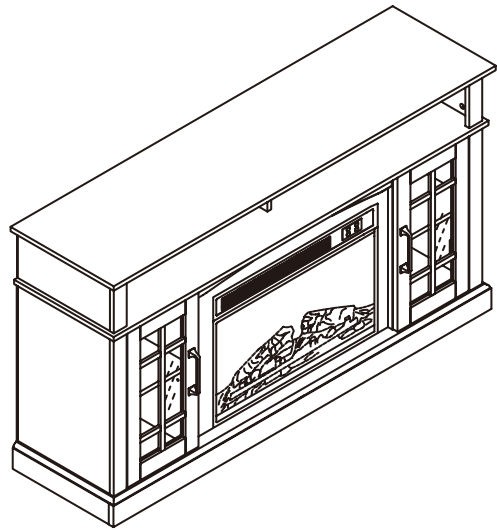
(D) 6x



Option 1 (TV Stand)



Option 2 (Fireplace Mantel)



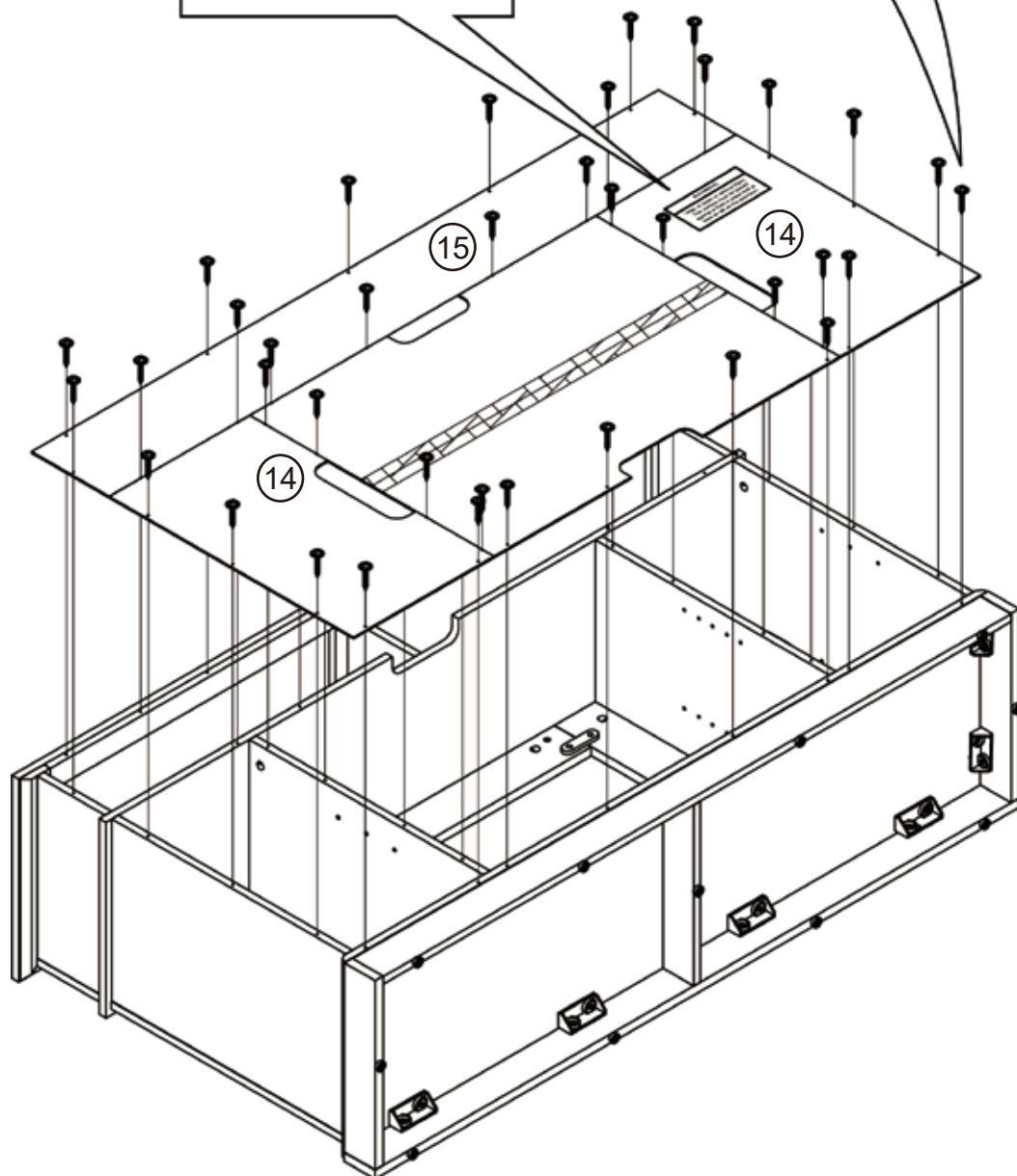
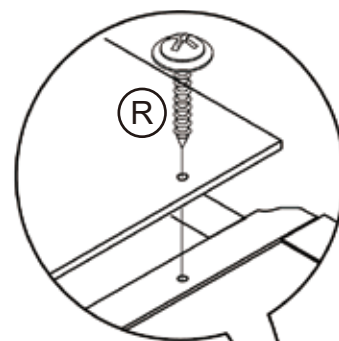
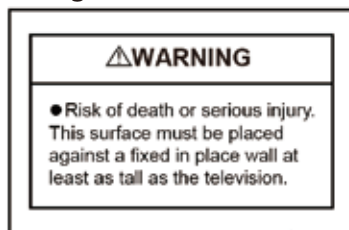
# TV STAND ASSEMBLY (OPTION 1)

## 28

Attach back panels (14, 15, 24) on the back of the TV stand.

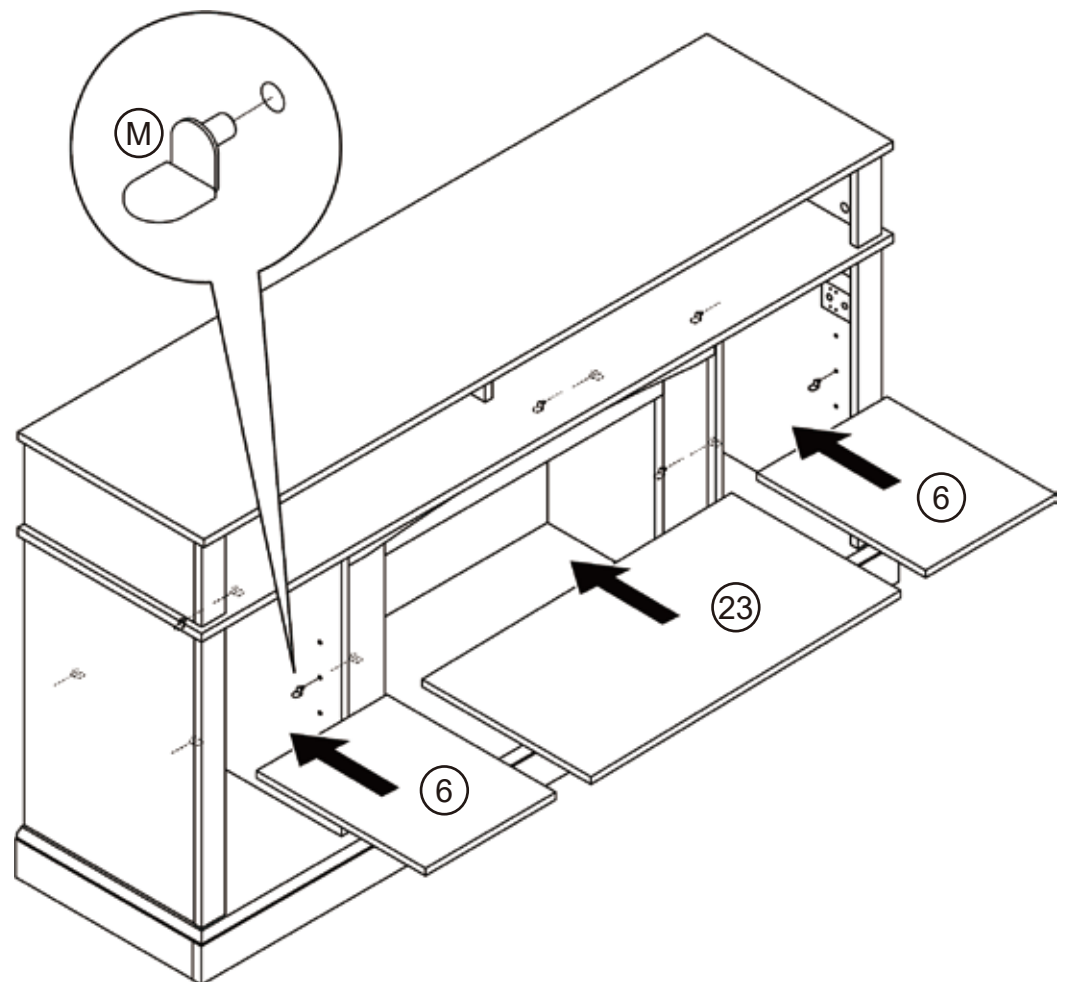
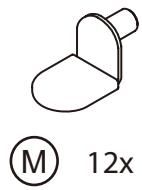


Warning label should be facing outward.



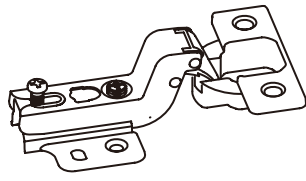
# 29

Attach shelf pegs inside the TV stand and put on the bottom shelf panels (6), and center shelf panel (23).



# 30

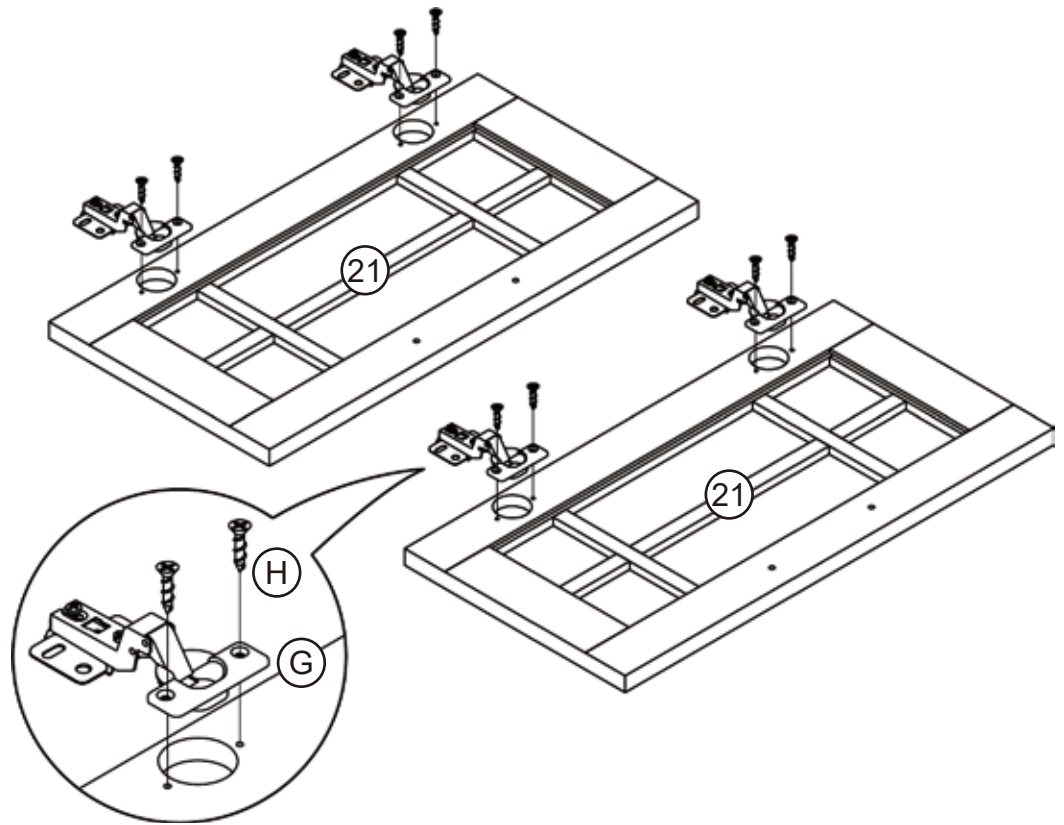
Attach door hinges to the cabinet doors (21).



(G) 4x



(H) 8x



# 31

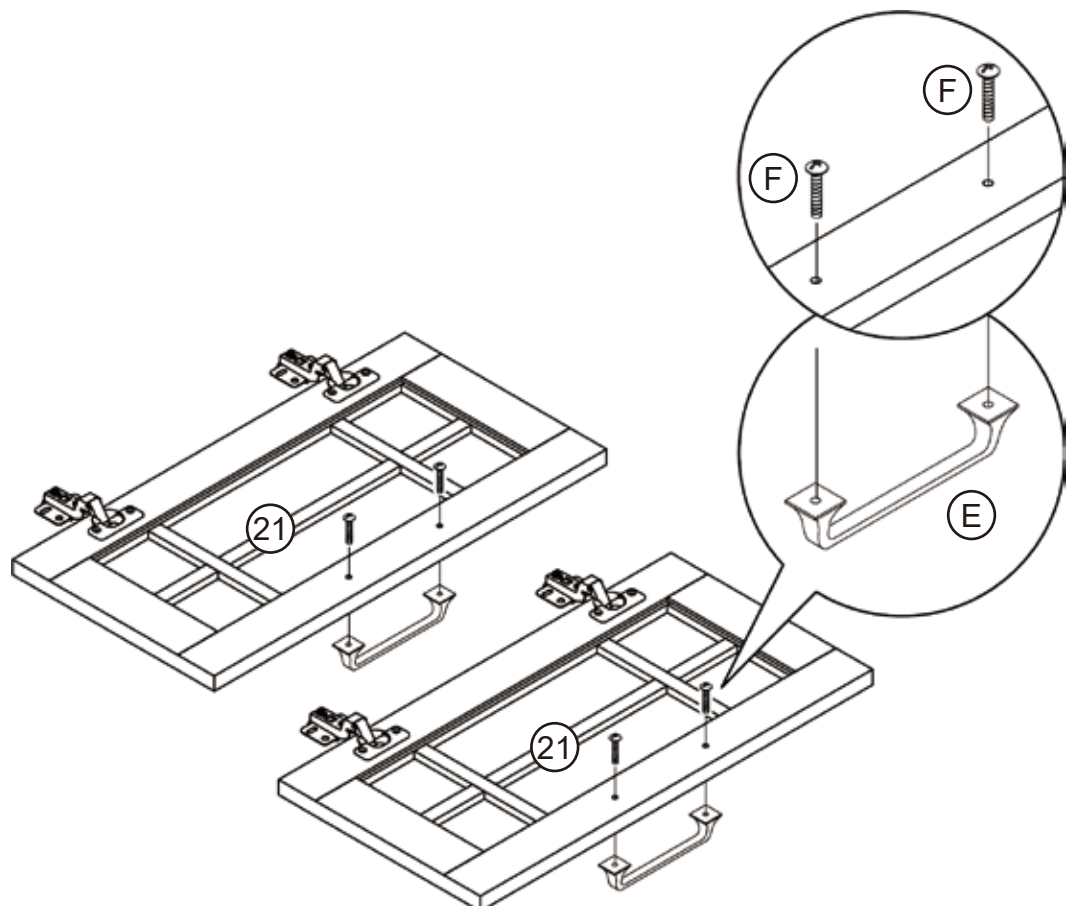
Attach door handles to the cabinet doors (21)



(E) 2x



(F) 4x

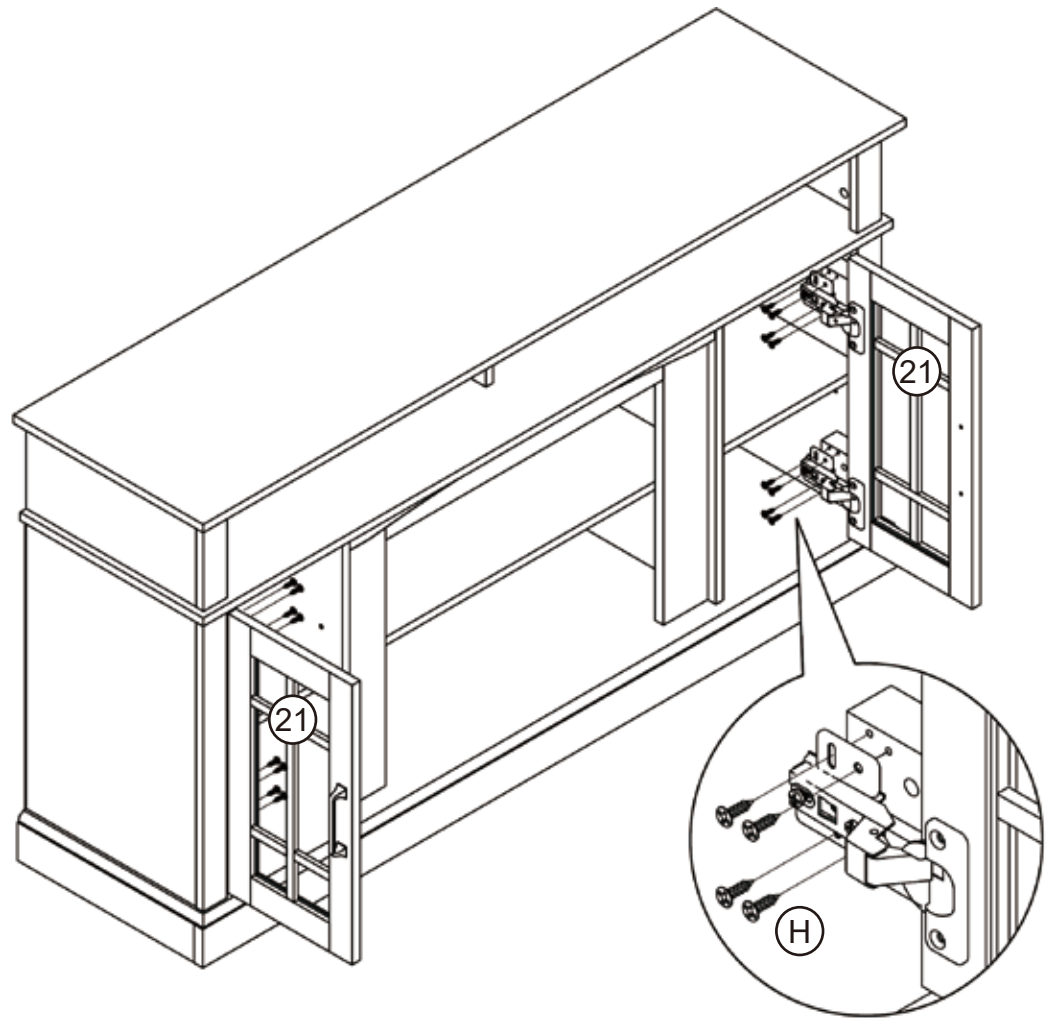


# 32

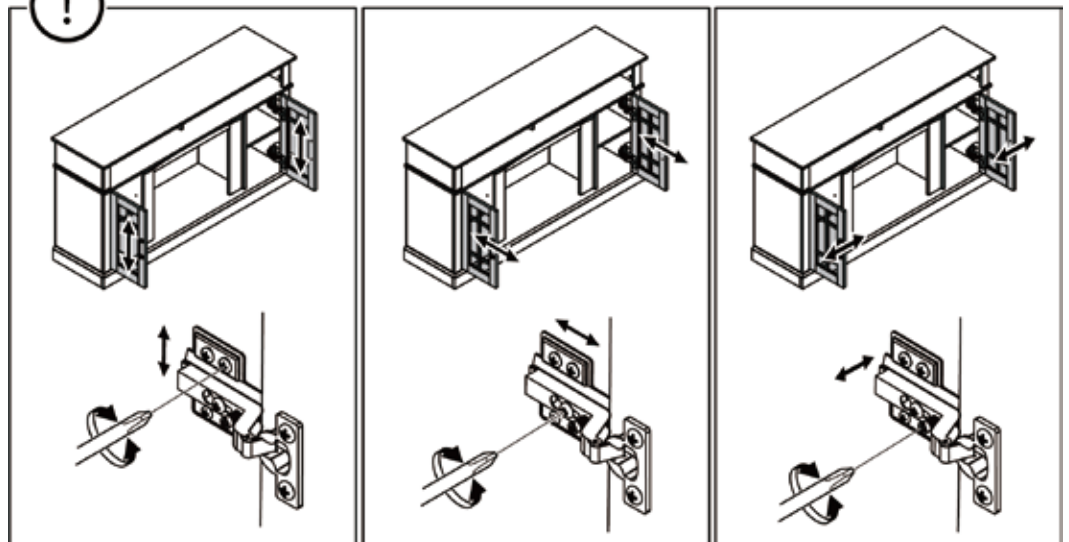
Attach cabinet doors (21) to the TV stand.



(H) 16x



Adjust the position of the cabinet doors



Up and down adjustment by loosening the screws on the mounting plate.

In and out adjustment by loosening the screws on the hinge arm.

Side to side adjustment using the front adjustment screw on the hinge.

# 33

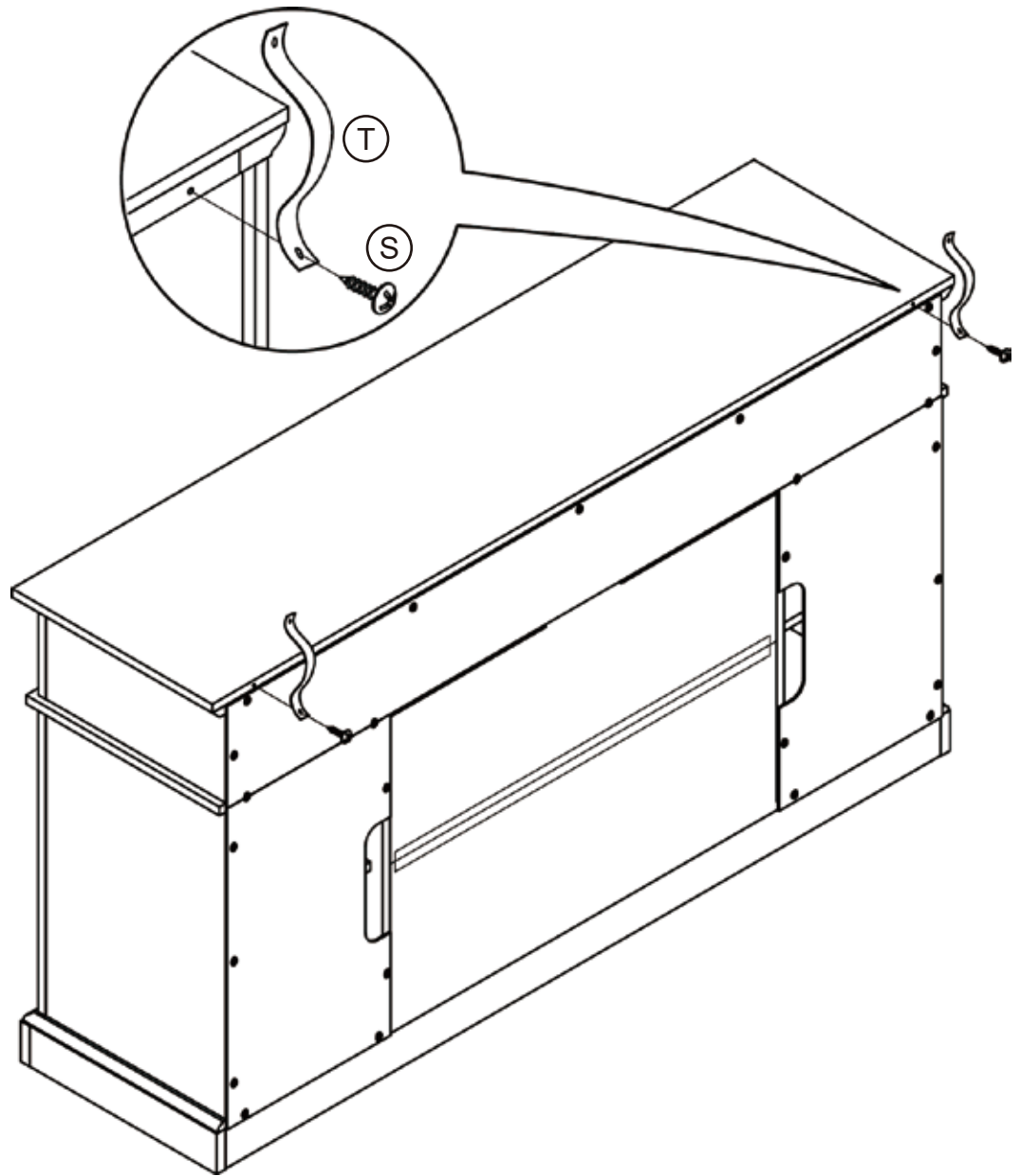
Attach anti-tipping straps to the back of the TV stand.



(S) 2x

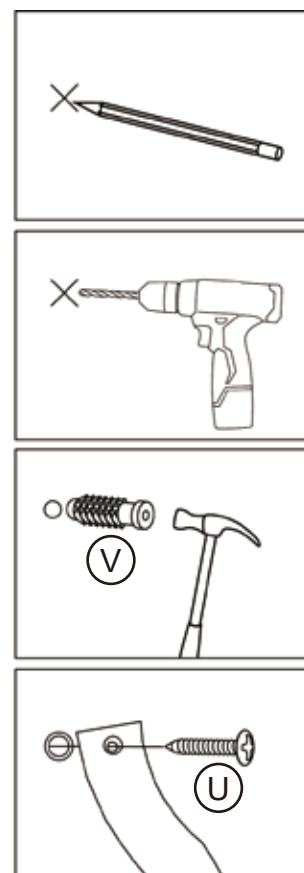
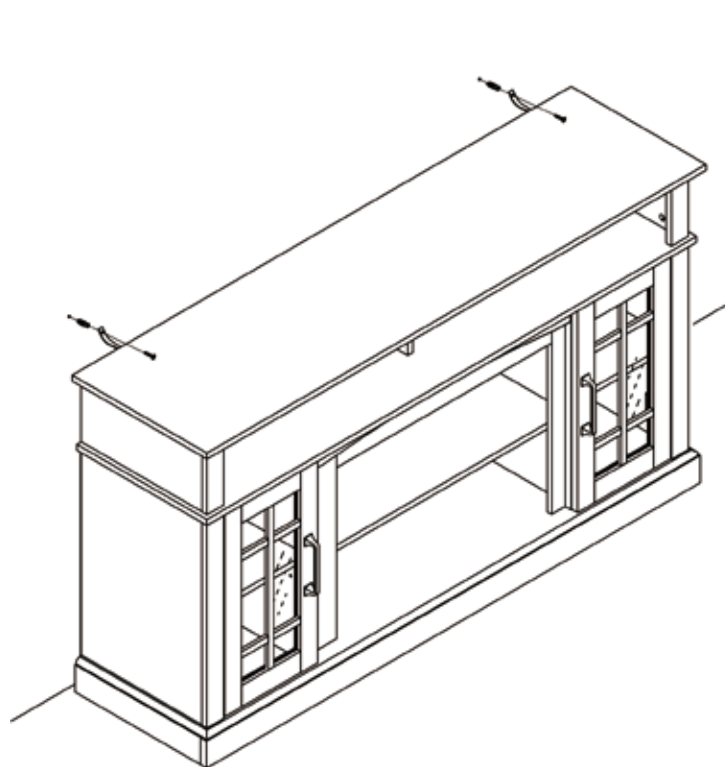
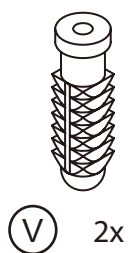


(T) 2x



# 34

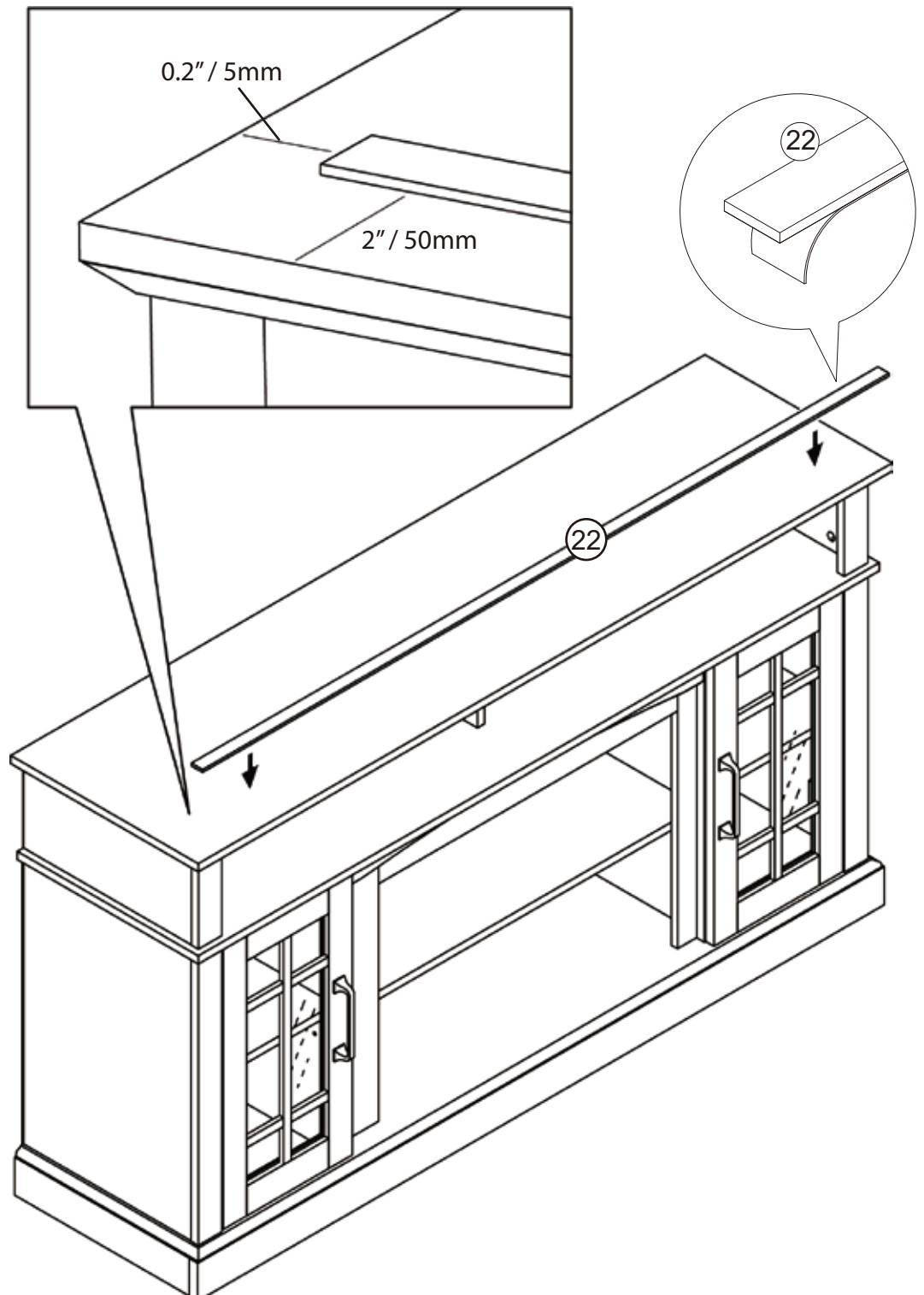
Affix the TV stand to a wall.



Furniture must permanently fixed to the wall stud with included anti-tipping device to prevent the furniture from tipping over.

- Mark the drill position on the wall with a pencil.
- Drill a small hole on the marked position.
- Insert a wall anchor into the drilled hole.
- Fixed the anti-tipping strap to the wall with provided screws.

Attach the wood strip (22) on top of the TV stand

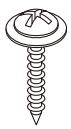


NOTE: Put the TV behind the wood strip to prevent it from falling off.

## YOU'RE FINISHED!

# FIREPLACE MANTEL ASSEMBLY (OPTION 2)

# 28

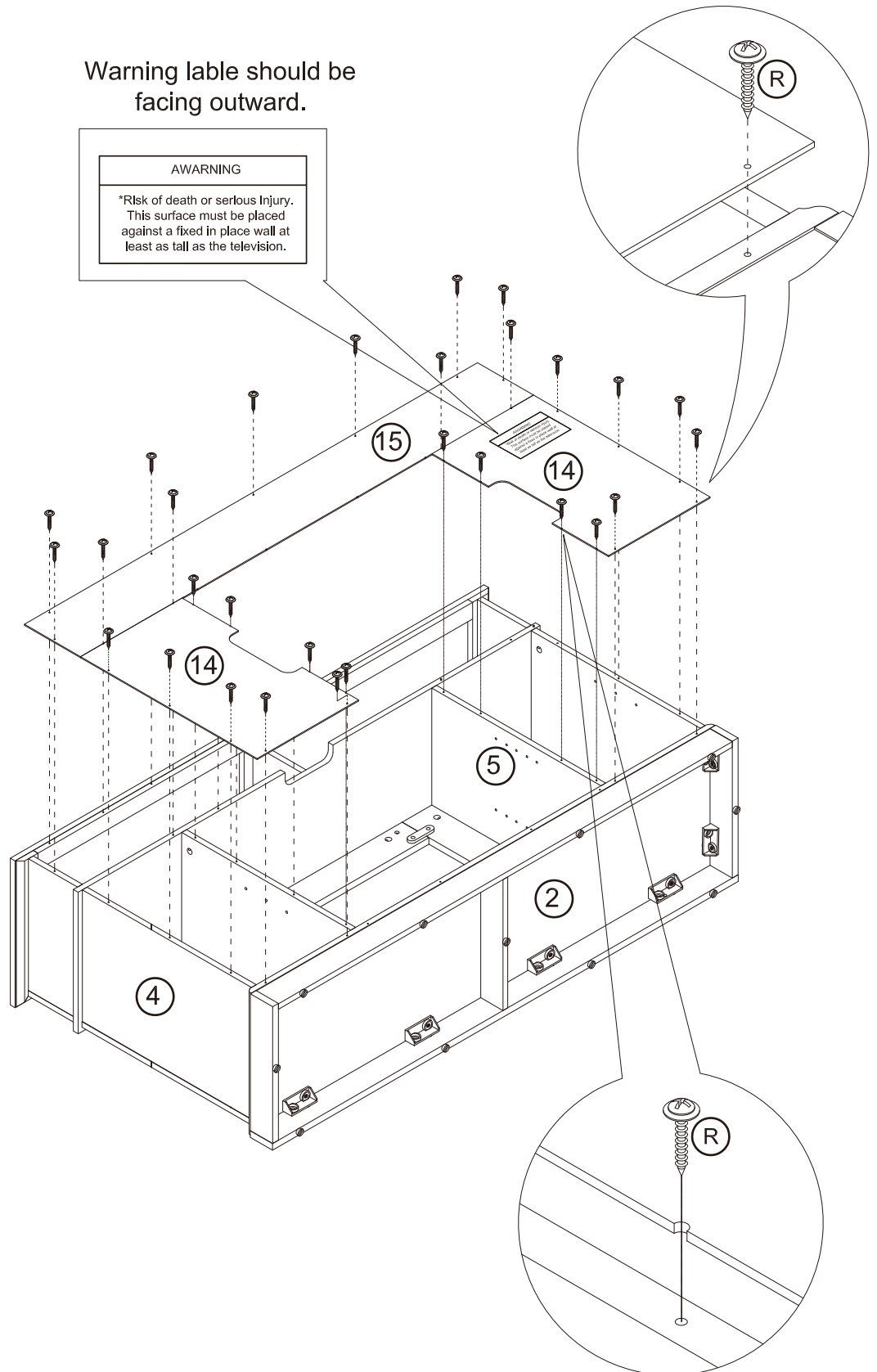
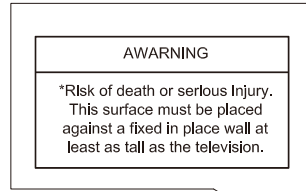


Ø3 x 15mm

(R) 29x

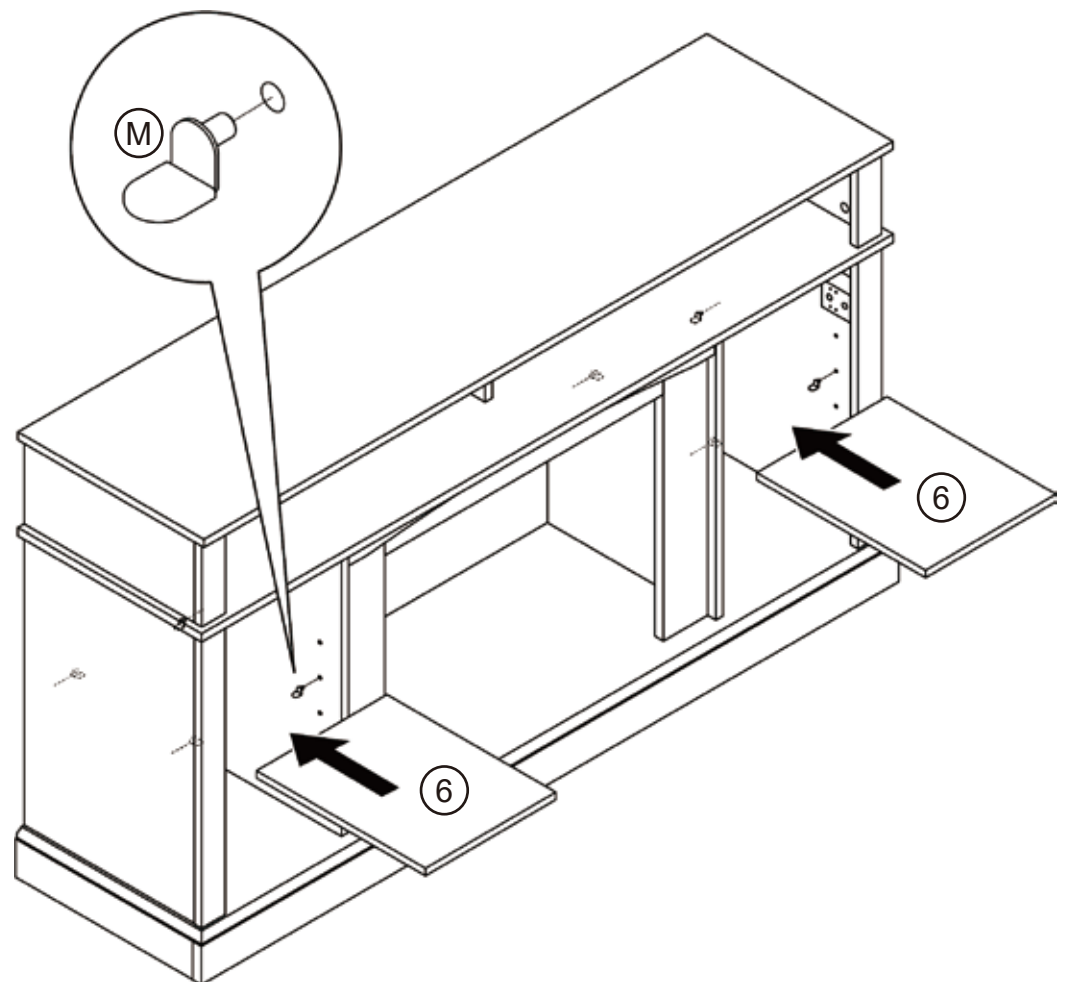
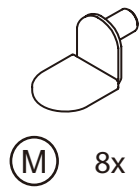
Attach back panels (14, 15) on the back of the fireplace mantel.

Warning lable should be facing outward.



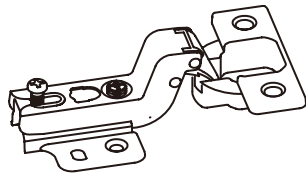
# 29

Attach shelf pegs inside the TV stand and put on the bottom shelf panels (6).



# 30

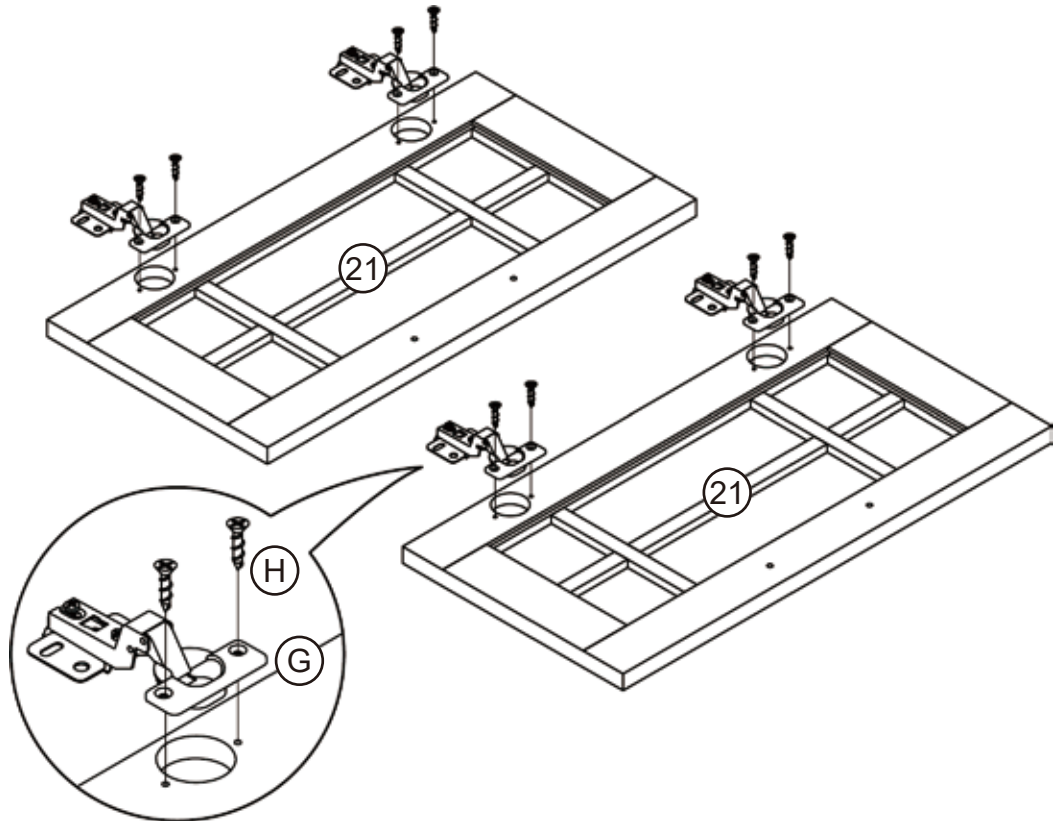
Attach door hinges to the cabinet doors (21).



(G) 4x



(H) 8x



# 31

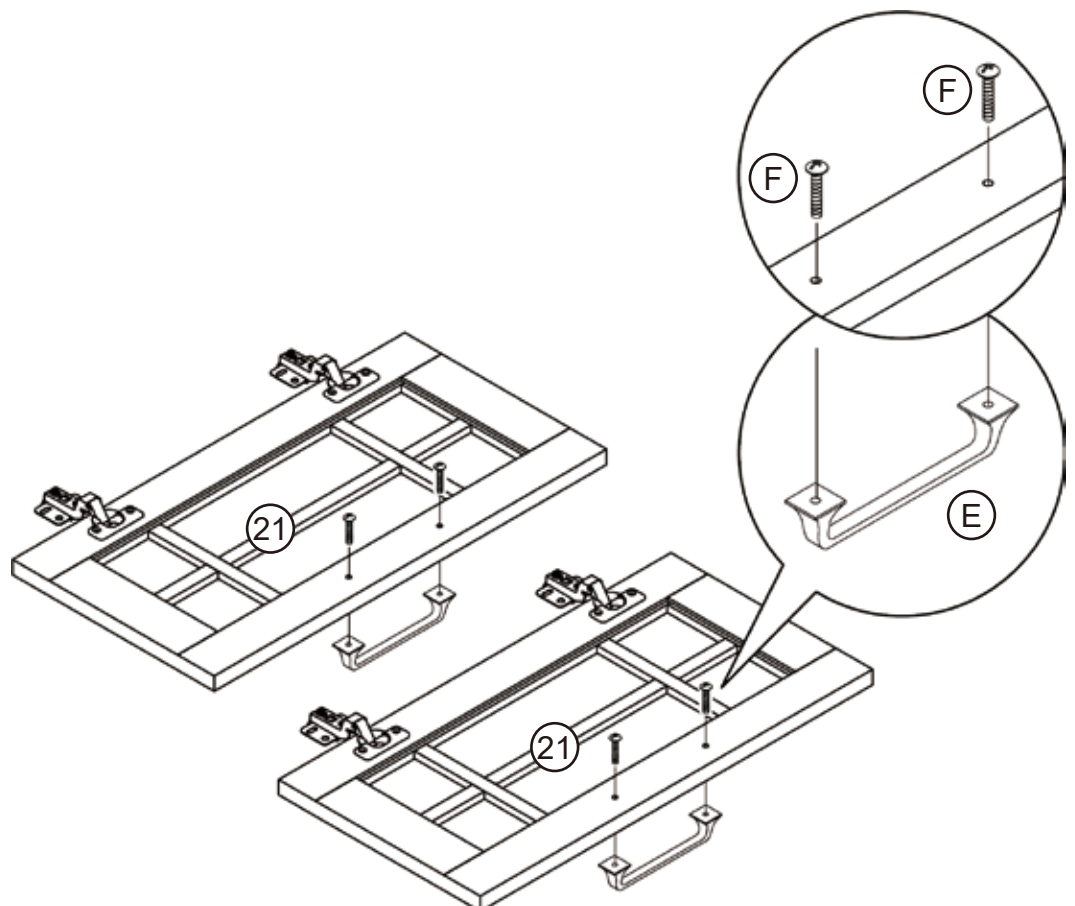
Attach door handles to the cabinet doors (21)



(E) 2x



(F) 4x

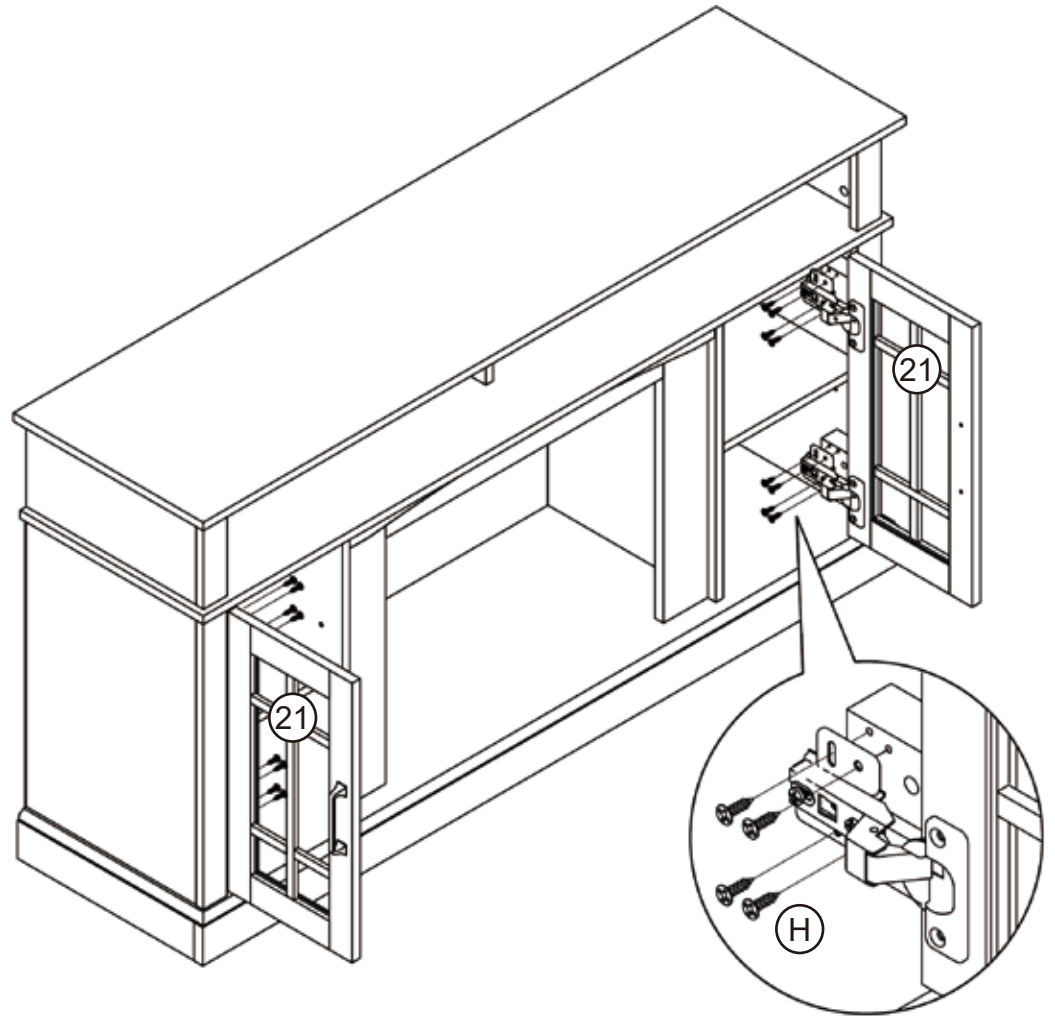


Attach cabinet doors (21) to the fireplace mantel.

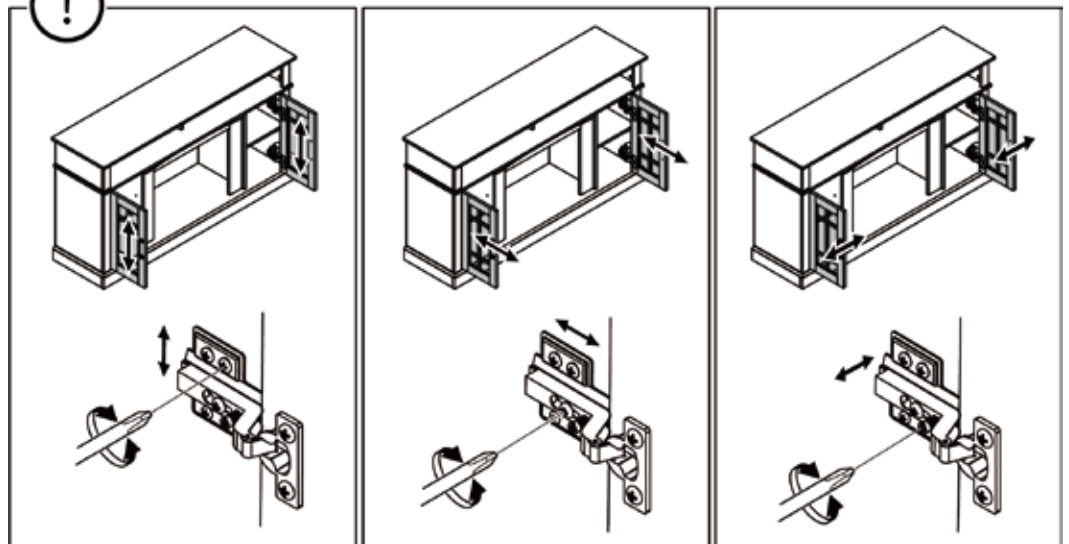


3.5 x 15

(H) 16x



Adjust the position of the cabinet doors



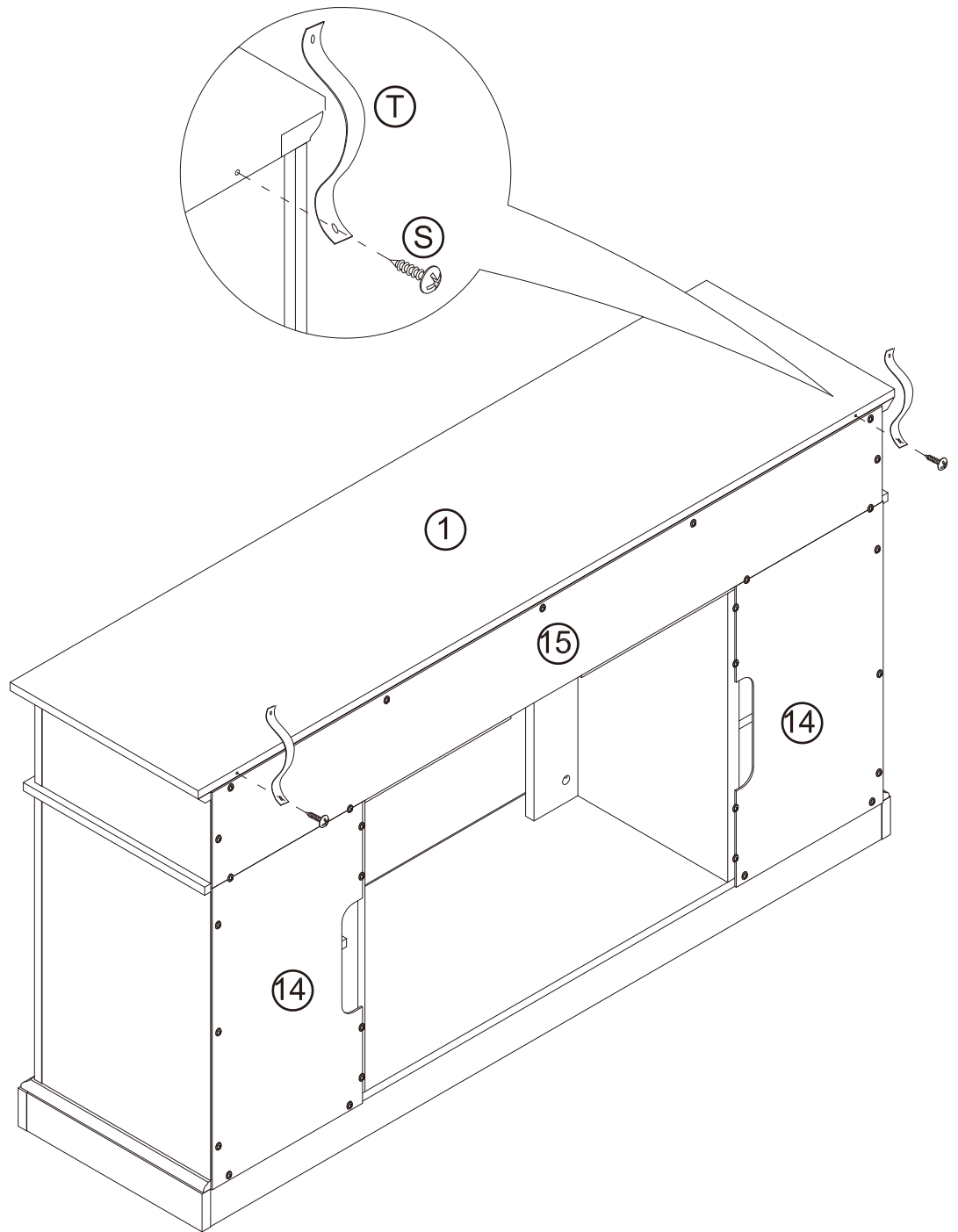
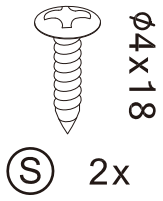
Up and down adjustment by loosening the screws on the mounting plate.

In and out adjustment by loosening the screws on the hinge arm.

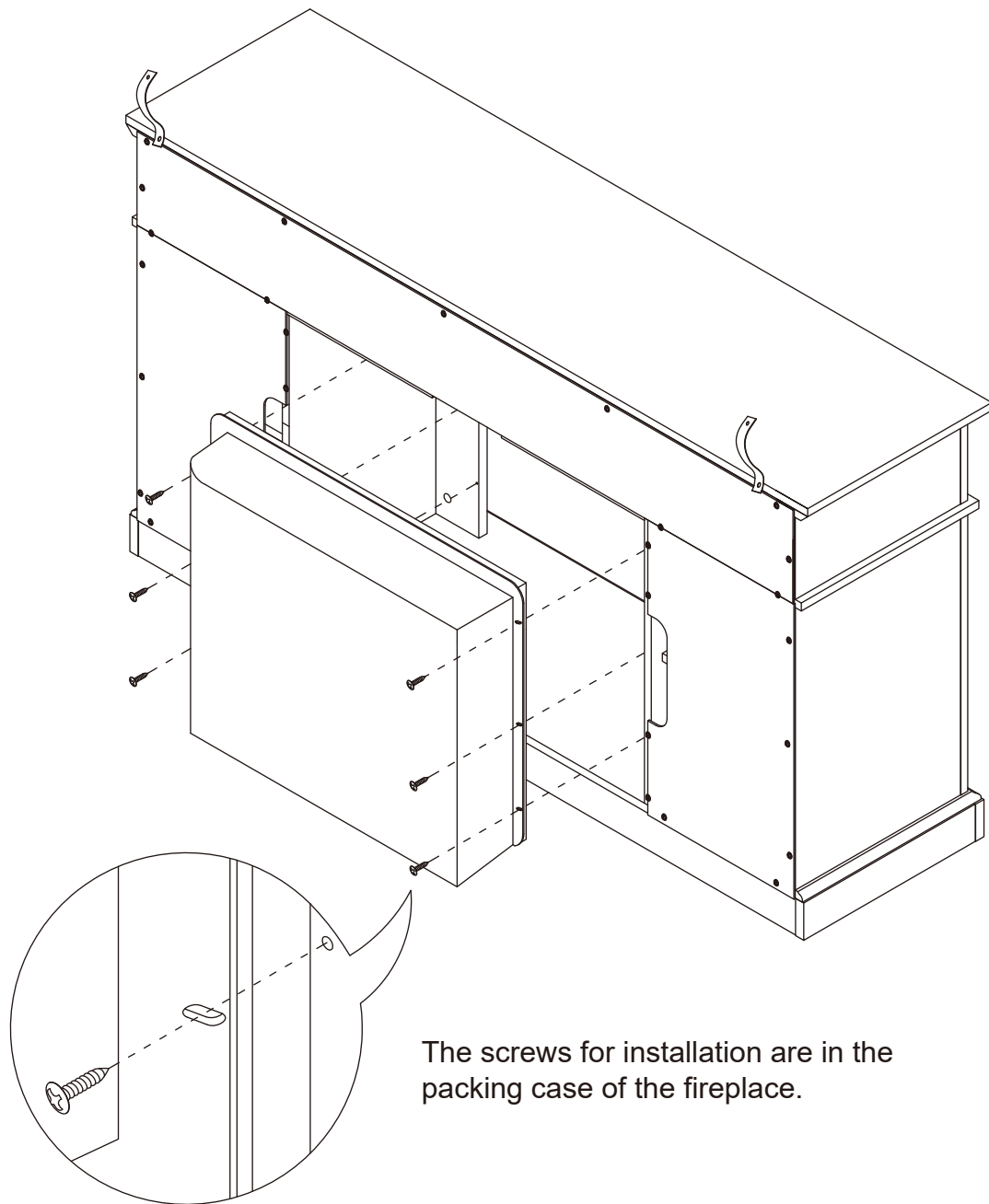
Side to side adjustment using the front adjustment screw on the hinge.

# 33

Attach anti-tipping straps to the back of the fireplace mantel.



Install fireplace inside the fireplace mantel.



The screws for installation are in the packing case of the fireplace.

Set the unit from the back of the fireplace mantel and center it in the opening. Check the alignment and attach the unit to the mantel by inserting screws through the drilled holes on the mantel.

For the exact instruction, please refer to the user's manual provided with the fireplace.

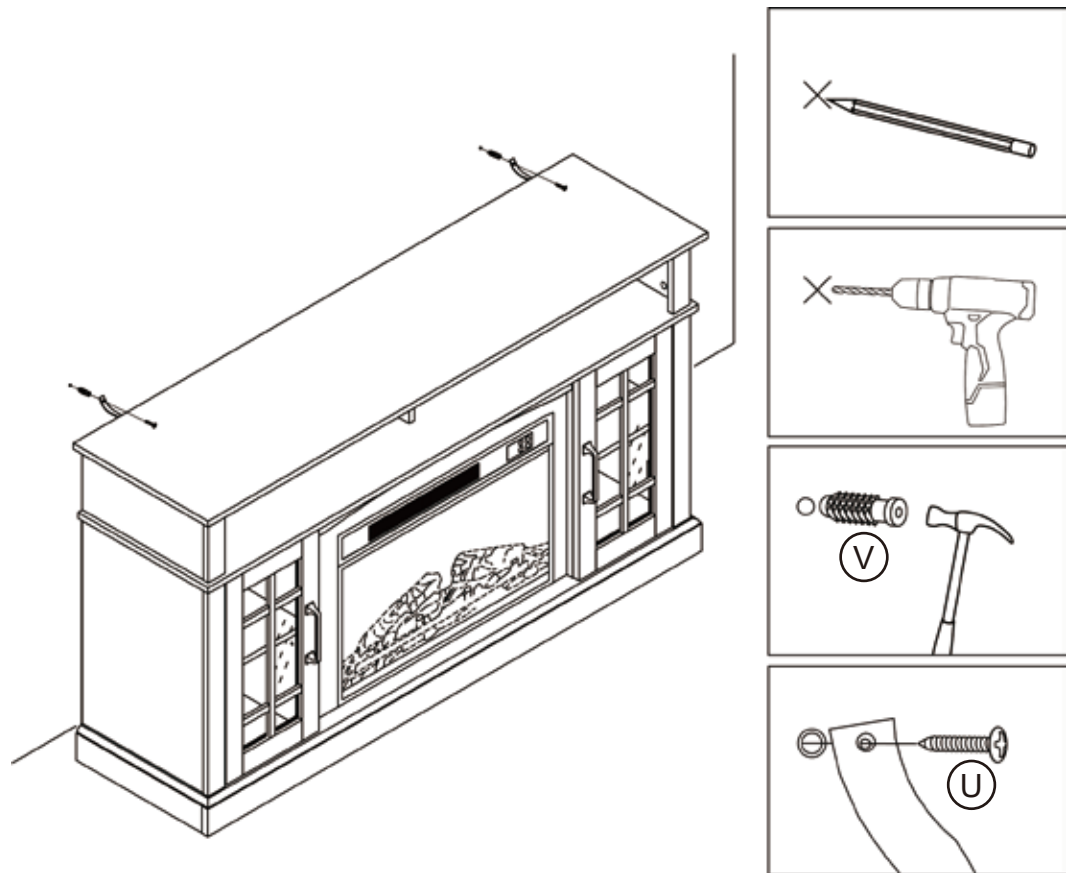
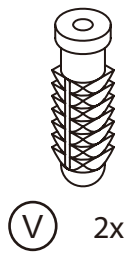
**NOTE:** Do not attempt to install the unit from the front of the mantel. It will not fit.

**⚠ CAUTION:**

The heater has a glass front panel. Careful when handling glass to prevent injury or damage.

# 35

Affix the fireplace mantel to a wall.

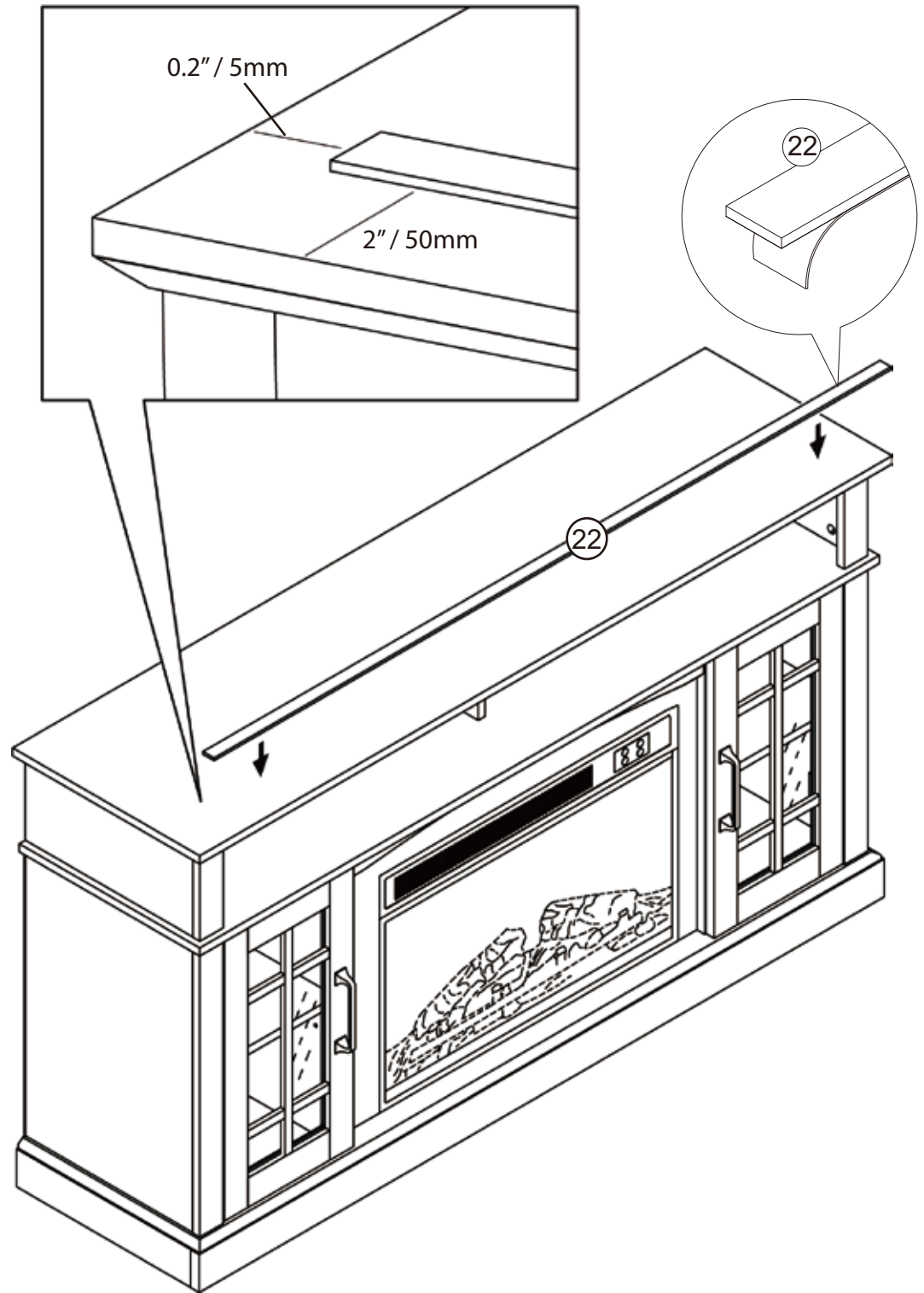


Furniture must permanently fixed to the wall stud with included anti-tipping device to prevent the furniture from tipping over.

- Mark the drill position on the wall with a pencil.
- Drill a small hole on the marked position.
- Insert a wall anchor into the drilled hole.
- Fixed the anti-tipping strap to the wall with provided screws.

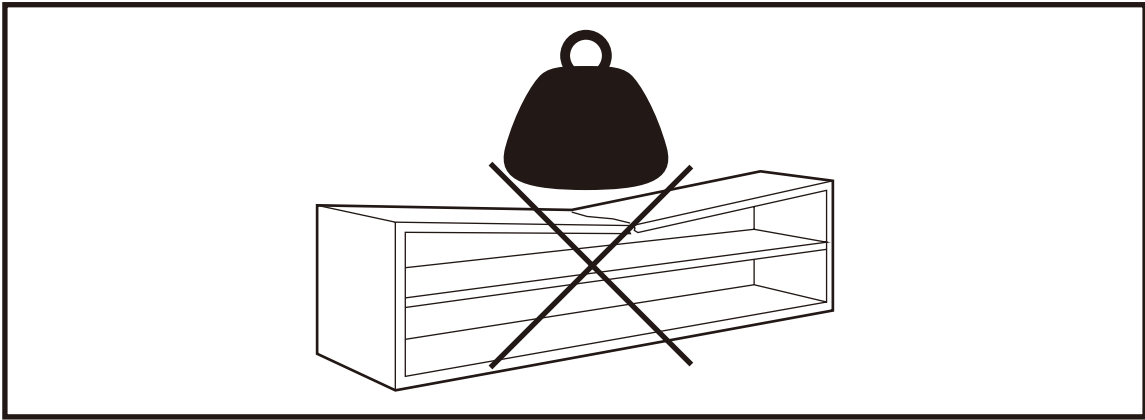
# 36

Attach the wood strip (22) on top of the TV stand.



NOTE: Put the TV behind the wood strip to prevent it from falling off.

## YOU'RE FINISHED!

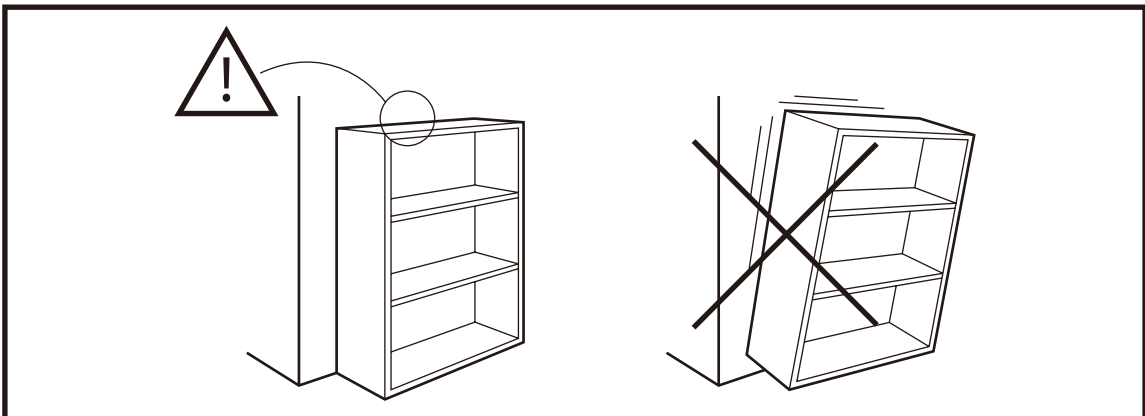


## Warning

Only place items on top of the product if they meet the recommended size and weight limits.

Climbing on, stepping on, or placing overweighted objects on the product may cause property damage and/or injuries.

Items placed onto this product must be resting on a support surface without hanging over the edges.



## Warning

Serious or fatal crushing injuries may occur if the furniture tip-over. Furniture must permanently affixed to the wall with included anti-tipping device in order to prevent the furniture from tipping over.

Different wall materials requires different types of wall anchors or screws. Use a suitable wall anchors or screws for your specific wall in order to secure the stability and load bearing capacity of the furniture. If you are uncertain about which type of device to use, please contact us or your local hardware store.

## WARNING

For use with televisions weighing 70lbs (31.8kg) or less. Use with heavier televisions may result in instability, causing tip over resulting in death or serious injury.

Death or serious injury may occur when children climb on audio and/or video equipment furniture. A remote control or toys placed on the furnishing may encourage a child to climb on the furnishing and as a result the furnishing may tip over on to the child.

Relocating audio and/or video equipment to furniture not specifically designed to support audio and/or video equipment may result in death or serious injury due to the furnishing collapsing or over turning onto a child.

## NOTICE

The recommended maximum width of the TV is 65 inches. Do not exceed the maximum load capacity.

This product is designed for flat panel TVs only.

## FURNITURE CARE AND MAINTENANCE

### Medium - Density Fiberboard

Thank you for your purchase. We want your item to last as long as possible. To ensure the product gives you years of longevity, please follow the recommendations in this care and maintenance guide.



#### MAINTENANCE

- Tighten all bolts and screws again within the first 2 weeks of assembly.
- Check the tightness of all bolts every 2 months and tighten them if necessary.



#### CLEANING

- Clean the surface of the MDF (medium - density fiberboard) with a lightly dampened cloth.
- A small amount of mild soap can be used if necessary.
- Dry the surface immediately after cleaning.

- ⚠ DO NOT use bleach or alcohol to clean the surface.
- ⚠ DO NOT apply wood treatment on parts made with MDF.

MDF will swell and distort when exposed to water damage. Make sure to dry the furniture immediately after cleaning.

## ⚠ WARNING

The manufacturer and seller are not responsible for any and all liability relating to personal injury, property damage or losses, whether direct, indirect, or incidental, resulting from the incorrect attachment, improper use, inadequate maintenance, unapproved modification or neglect of this product.