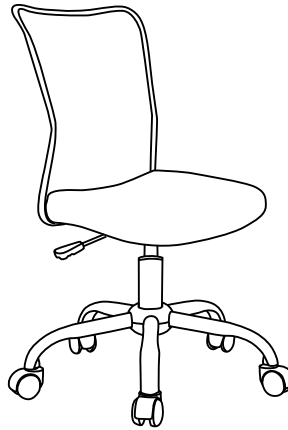
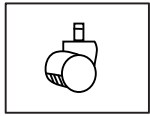


OFFICE CHAIR ASSEMBLY INSTRUCTION

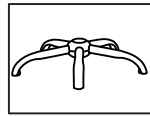


THANK YOU FOR PURCHASING OFFICE CHAIR

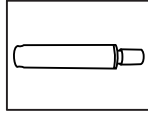
PARTS LIST



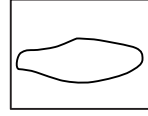
A 5×Wheels



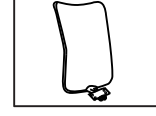
B 1×base



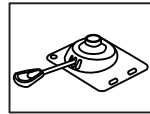
C 1×gas lift



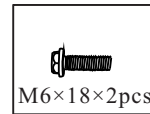
D 1×seat



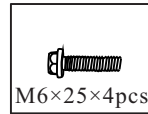
E 1×back



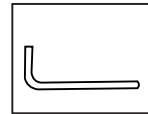
F 1×mechanism



M6×18×2pcs
G1 2×screws



M6×25×4pcs
G2 4×screws

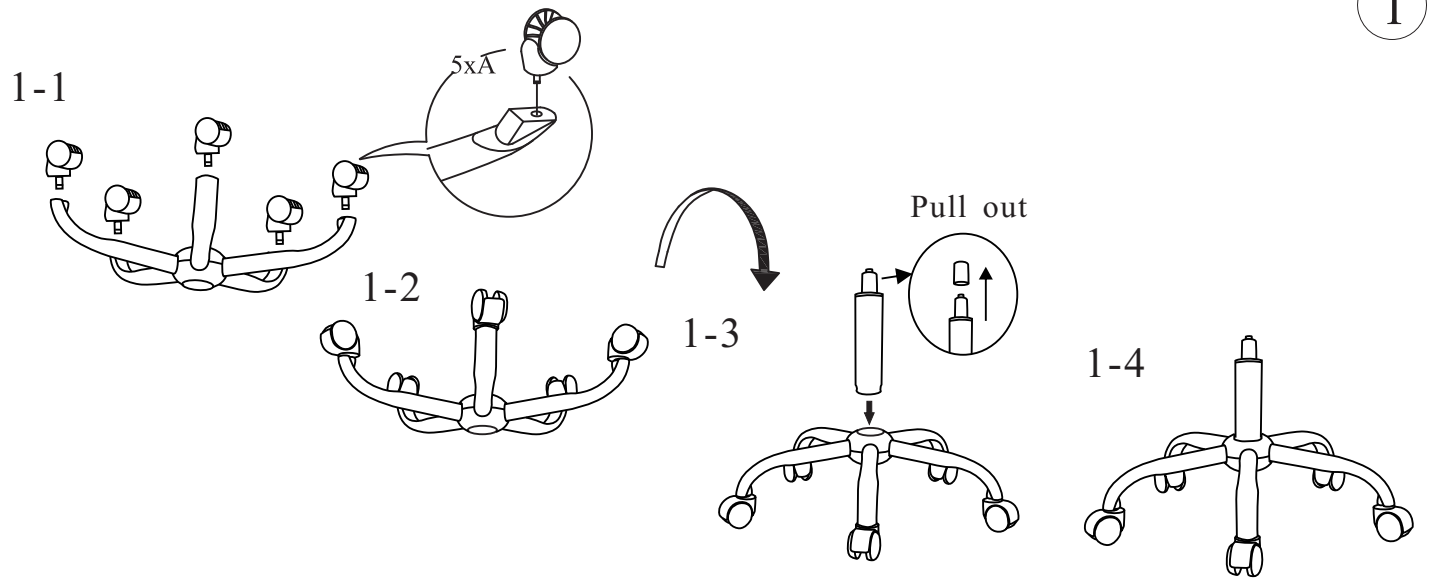


H 1×allen key

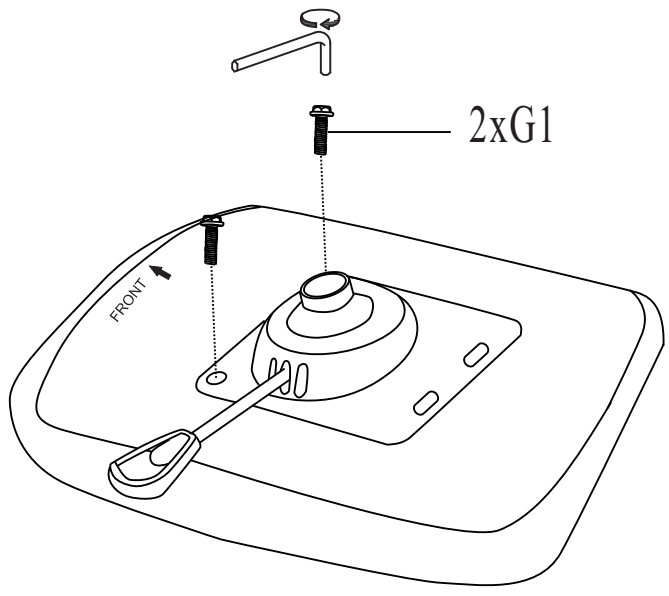
WARNING

- Do not stand in this chair or use the chair as a step ladder use it as chair only.
- This chair is designed for one person to use at a time.
- This chair is designed for one person weighting up to 225lbs(102kgs).
- Do not use this chair unless all bolts, screws and knobs are firmly secured.
- Check all bolts,screws and knobs every 90days. Tighten if any are loose.
- Failure to follow these instructions may result in serious injury or death of yourself and people around you.
- Some of the part are heavy and/or has shape edge, please install it carefully to avoid hurt you and people around you.

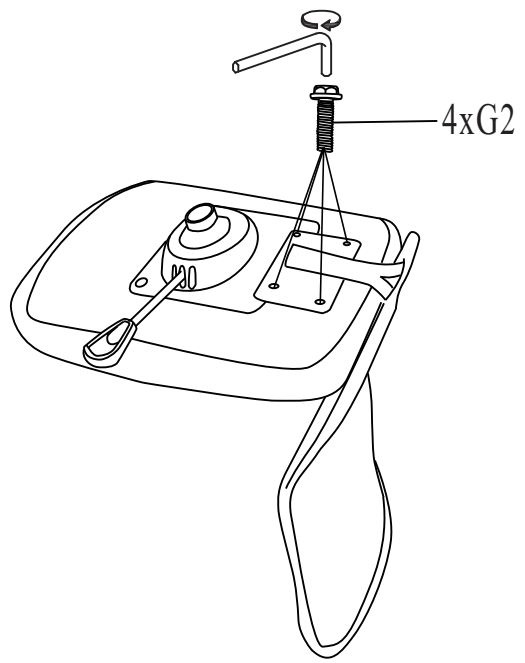
1



2

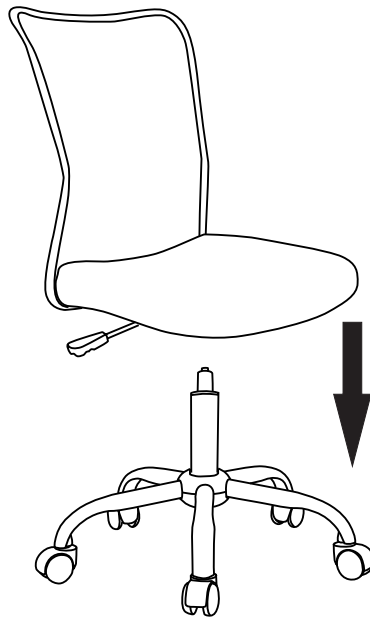


3



Attention: All the screws in, and then tighten them.

4



5

