

# LIGHTING FIXTURE INSTALLATION GUIDE

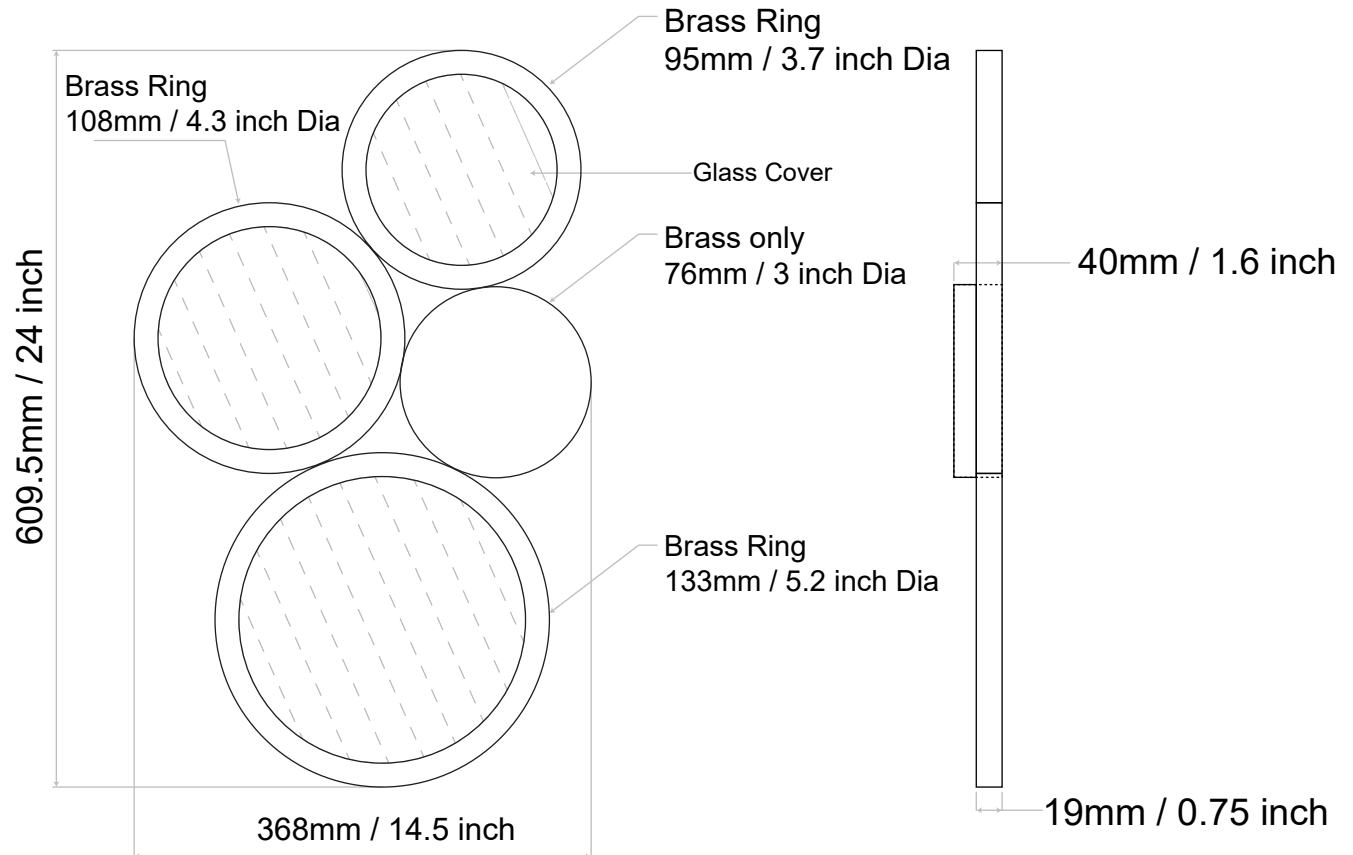
Model M0-SC-6.2 / SCO-6.2

# DAINTE

491 NY-208, Monroe,  
NY 10950, United States  
www.dainte.com

**CAUTION:** Before wiring to the power supply, turn off the electricity at fuse or circuit breaker box. Ensure grounding to avoid potential electrical shock and to ensure reliable lamp starting.

## PRODUCT DIMENSIONS



## POWER SUPPLY SPECIFICATIONS

Brand: Mean Well

Model: S-25-12

Description: AC-DC Enclosed power supply;

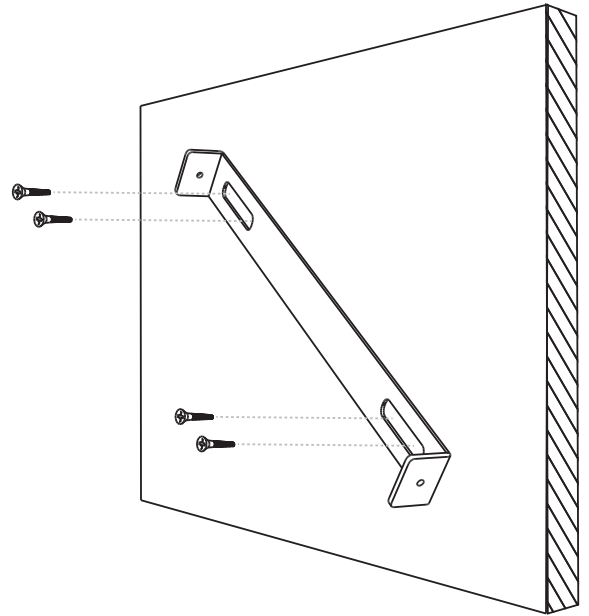
Output +12Vdc at 2.1A; S-25-12 is succeeded by RS-25-12.

Output Power	25W
Output Voltage	12V
Input Voltage	110/230 universal input
	85-264
Dimensions	97x36x99mm
RoHS	Compliant

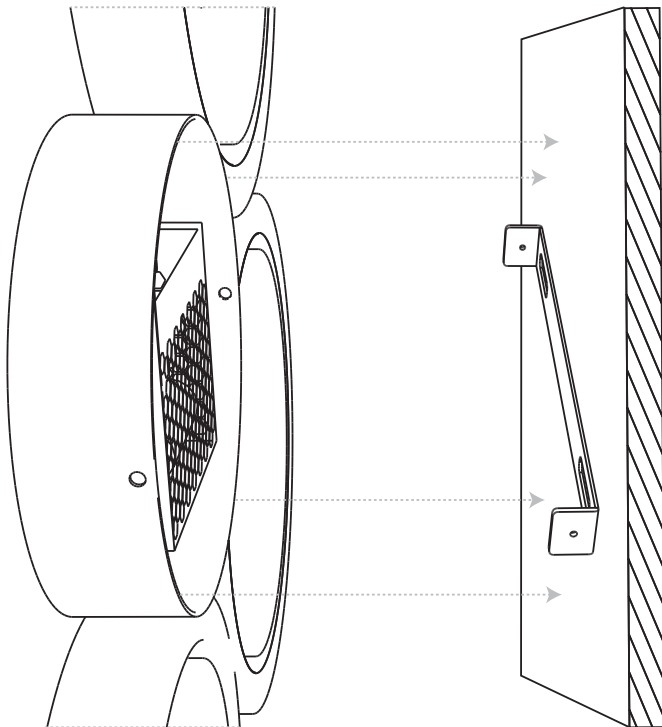
# INSTALLATION METHOD

1. Unbox all the items carefully.
2. Unscrew two side screws from the brass canopy.
3. Install the wiring to the wall, and attach the bracket to the electric box. (A)
4. Attach sconce to the bracket. (B)
5. Install screws from outside the canopy into the bracket. (C)

(A)



(B)



(C)

