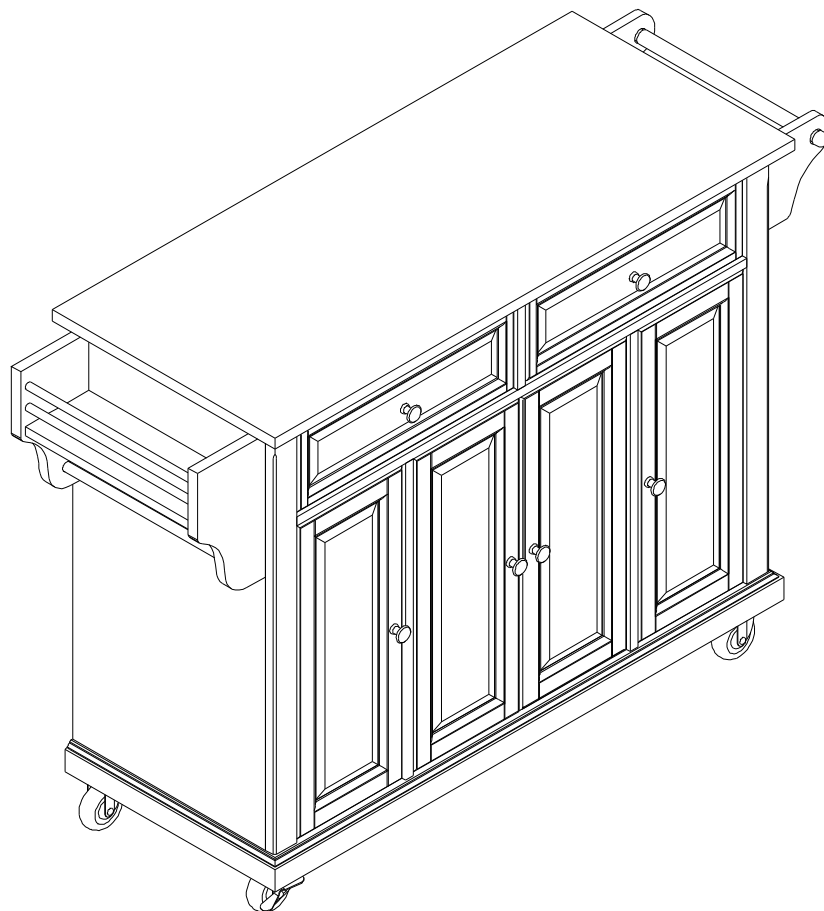


# Kitchen Cart / Island Cabinet

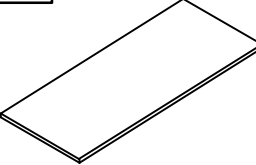
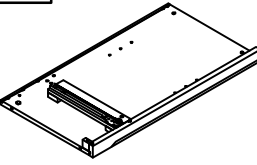
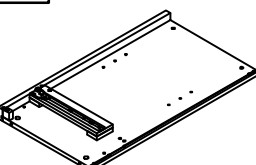
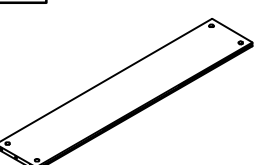
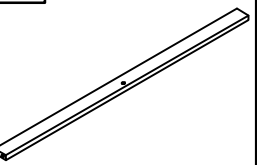
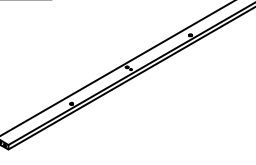
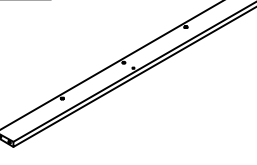
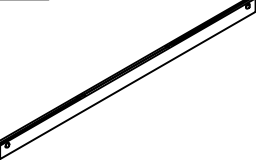
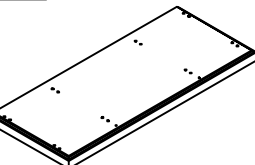
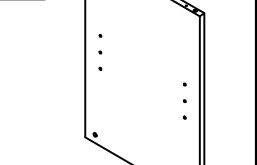
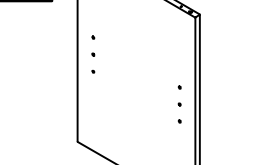
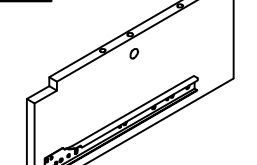
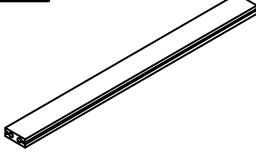
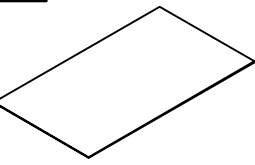
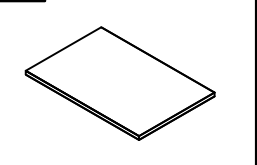
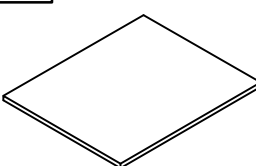
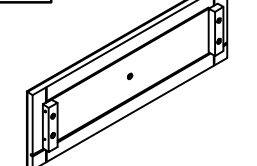
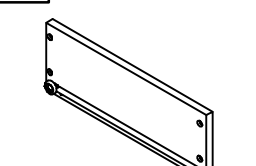
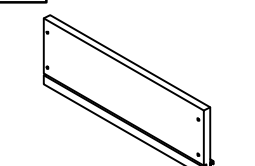
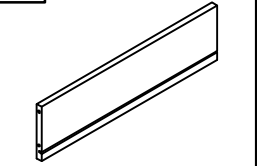
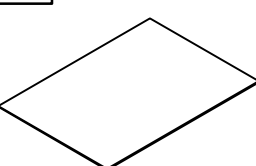
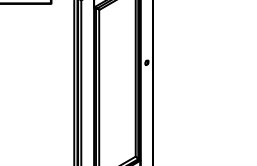
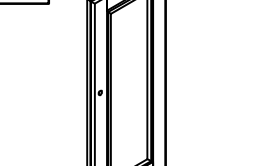
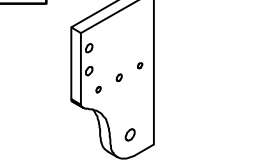
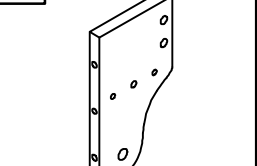


Congratulations! You have purchased a stylish piece of us. We strive to provide fine furniture products, built with quality materials and hand finished details. Please carefully follow the assembly instructions to ensure your furniture is assembled correctly to provide long lasting enjoyment.

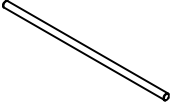
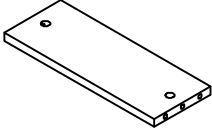
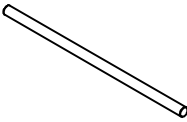
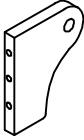
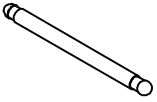
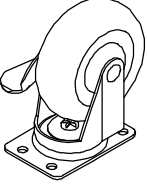
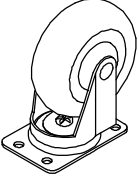
Should you experience any missing or damaged parts, **do not return to the store.** Please contact us directly.

**Care:** Use a soft clean cloth that will not scratch the surface when dusting. Use of furniture polish is not necessary. Should you choose to use polishes, test in an inconspicuous area first. Use of solvents of any kind may damage your furniture's finish. To clean, simply use a soft clean cloth moistened with lukewarm water, then buff with a dry soft clean cloth.

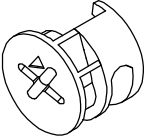
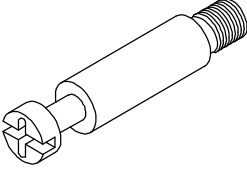
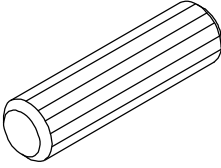
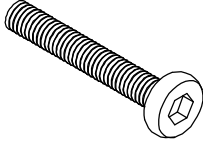

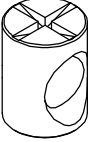
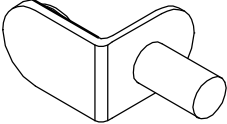
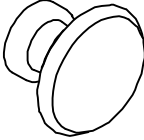
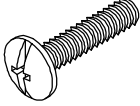
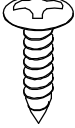
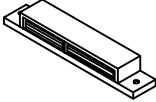
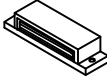
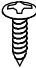
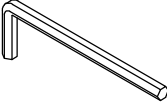
# PART LIST

<p><b>A</b></p>  <p>Ships Separately</p>	<p><b>B</b></p> 	<p><b>C</b></p> 	<p><b>D</b></p> 	<p><b>E</b></p> 
1 PC	1 PC	1 PC	1 PC	1 PC
<p><b>F</b></p> 	<p><b>G</b></p> 	<p><b>H</b></p> 	<p><b>I</b></p> 	<p><b>J</b></p> 
1 PC	1 PC	1 PC	1 PC	1 PC
<p><b>K</b></p> 	<p><b>L</b></p> 	<p><b>M</b></p> 	<p><b>N</b></p> 	<p><b>O</b></p> 
1 PC	1 PC	2 PCS	3 PCS	2 PCS
<p><b>P</b></p> 	<p><b>Q</b></p> 	<p><b>R</b></p> 	<p><b>S</b></p> 	<p><b>T</b></p> 
1 PC	2 PCS	2 PCS	2 PCS	2 PCS
<p><b>U</b></p> 	<p><b>V</b></p> 	<p><b>W</b></p> 	<p><b>X</b></p> 	<p><b>Y</b></p> 
2 PCS	2 PCS	2 PCS	1 PC	1 PC

# PART LIST

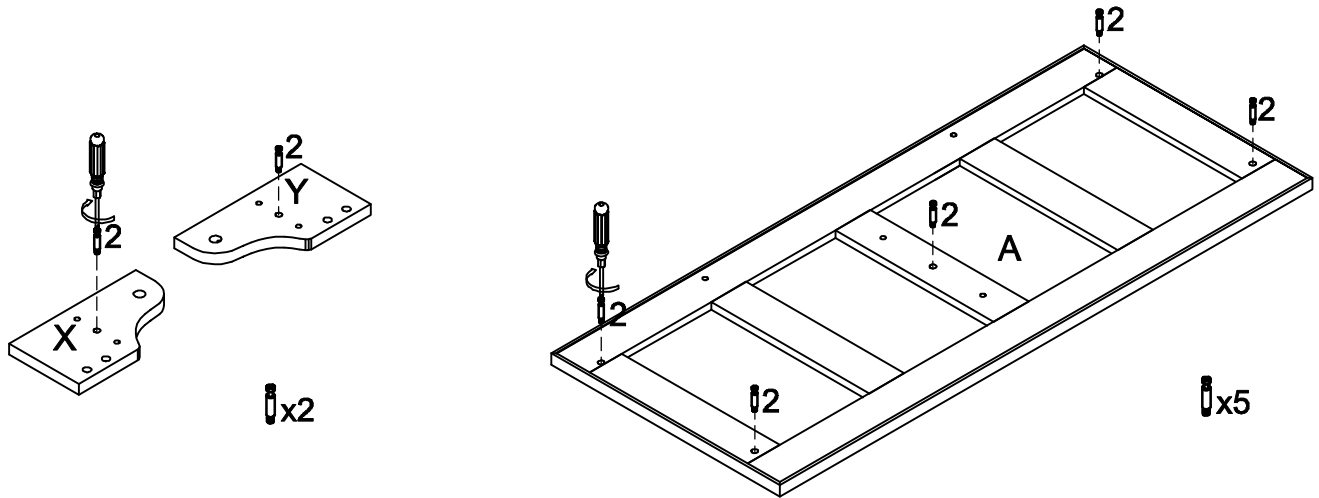
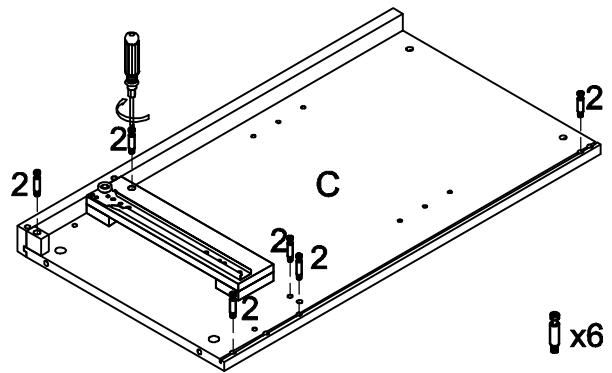
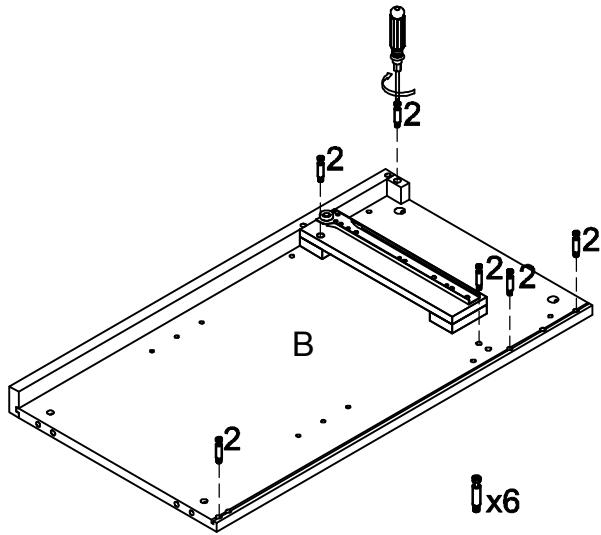
<b>Z</b> 	<b>ZA</b> 	<b>ZB</b> 	<b>ZC</b> 	<b>ZD</b> 
2 PCS	1 PC	1 PC	2 PCS	1 PC
<b>ZE</b> 	<b>ZF</b> 			
2 PCS	2 PCS			

# HARDWARE LIST

<p>1</p> 	<p>2</p> 	<p>3</p> 	<p>4</p> 	<p>5</p> 
<p><b>CAM LOCK</b> 19 PCS</p>	<p><b>CAM BOLT</b> 19 PCS</p>	<p><b>WOOD DOWEL</b> 49 PCS</p>	<p><b>HEX SOCKET HEAD BOLT</b> 14 PCS</p>	<p><b>SCREW</b> 23 PCS</p>
<p>6</p> 	<p>7</p> 	<p>8</p> 	<p>9</p> 	<p>10</p> 
<p><b>BARREL NUT</b> 8 PCS</p>	<p><b>SHELF HOLDER</b> 12 PCS</p>	<p><b>KNOB</b> 6 PCS</p>	<p><b>ROUND HEAD BOLT</b> 6 PCS</p>	<p><b>LARGE ROUND HEAD SCREW</b> 16 PCS</p>
<p>11</p> 	<p>12</p> 	<p>13</p> 	<p>14</p> 	
<p><b>DOUBLE MAGNET</b> 1 PC</p>	<p><b>MAGNET</b> 2 PCS</p>	<p><b>ROUND HEAD SCREW</b> 6 PCS</p>	<p><b>ALLEN KEY</b> 1 PC</p>	

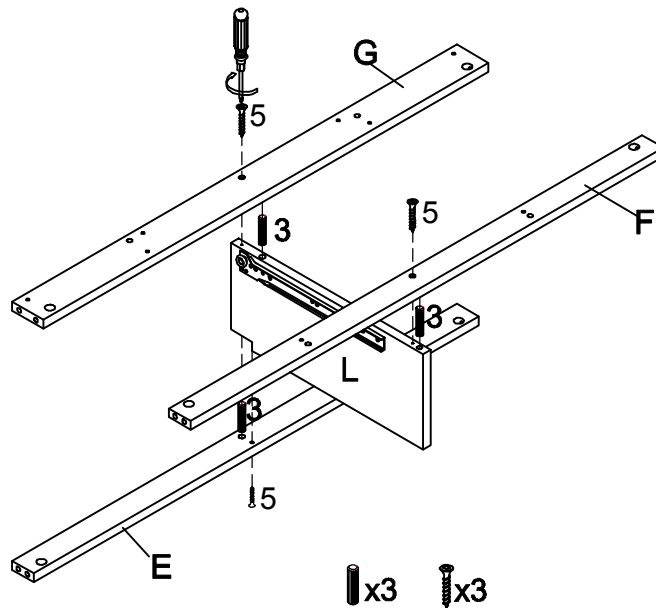
Tools needed: Allen key (part#14) (included)  
Phillips Head Screw Driver (Not included)

Step 1. Insert Cam Bolts (part #2) into pre-drilled holes of parts A, B, C, X & Y using a Phillips head screw driver.

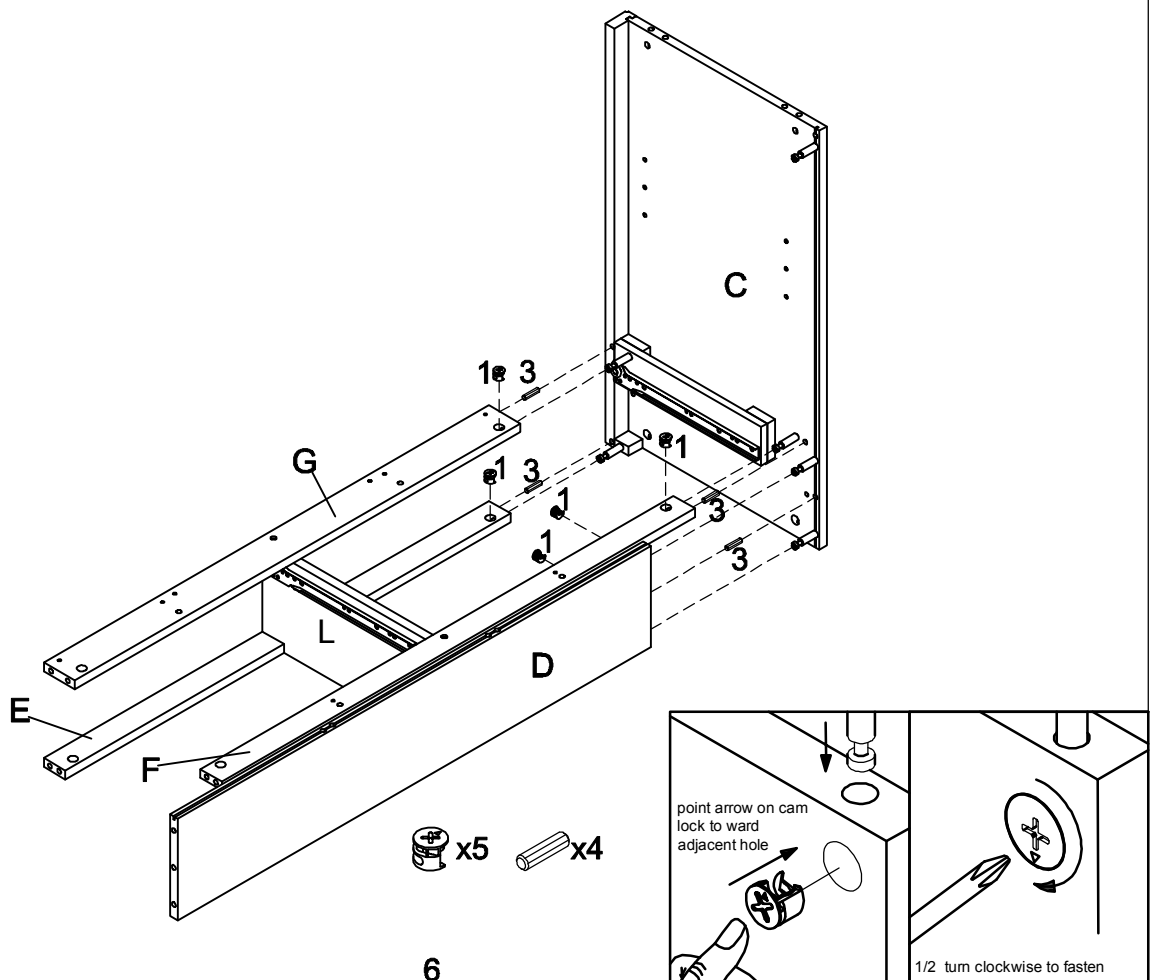


Part A Ships Separately in a different carton.

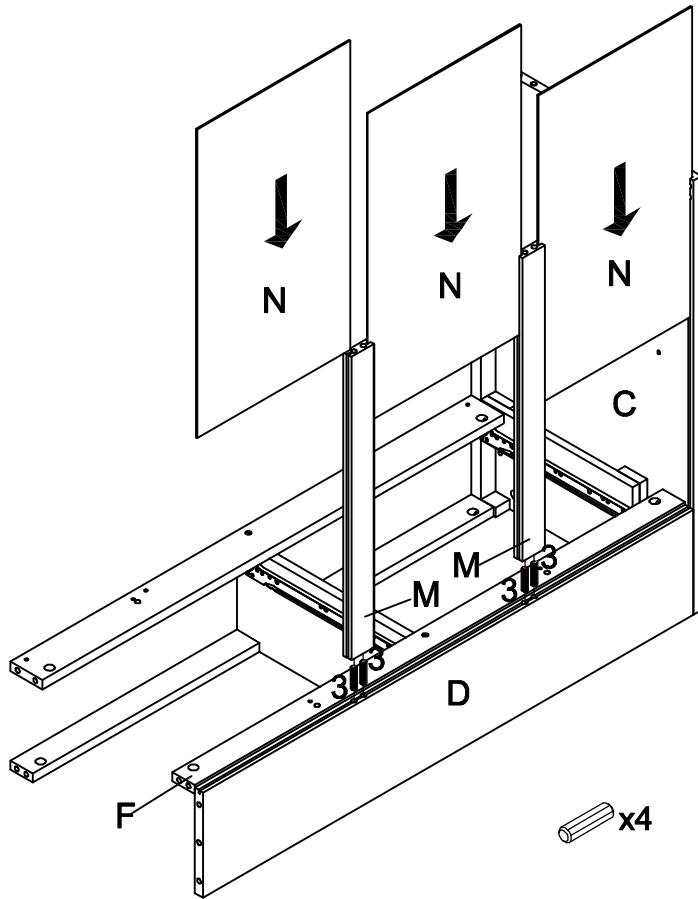
**Step 2.** Attach Rail E to the notched cutout in Center Panel L with Wood Dowels and Screw (Part #5) with Phillips Head screw driver as shown. With Rail E flat on ground, attach Rails G & F to Center Panel L with Wood Dowels and Screws (Part #5) with Phillips Head screw driver as shown.



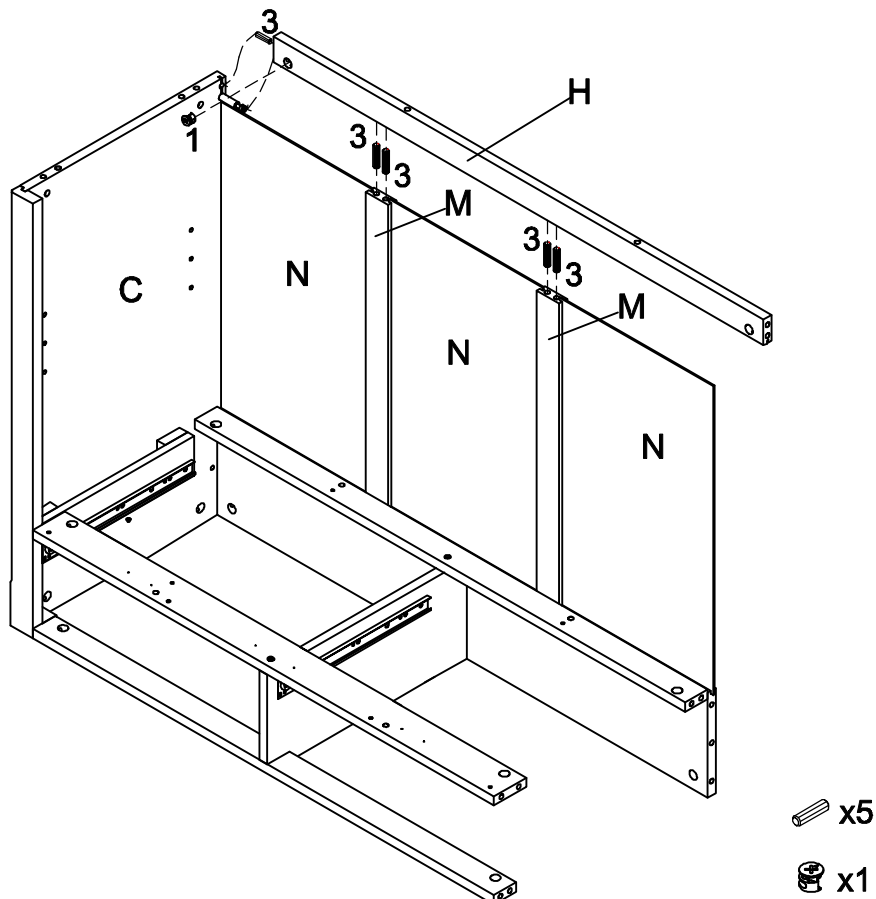
**Step 3.** Attach assembled parts E, F, G & L to Side Panel C with Wood Dowels & Cam Locks as shown. Attach Back Rail D to Side Panel C with Wood Dowels & Cam Locks as shown.



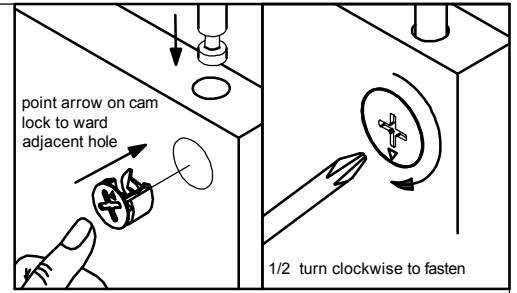
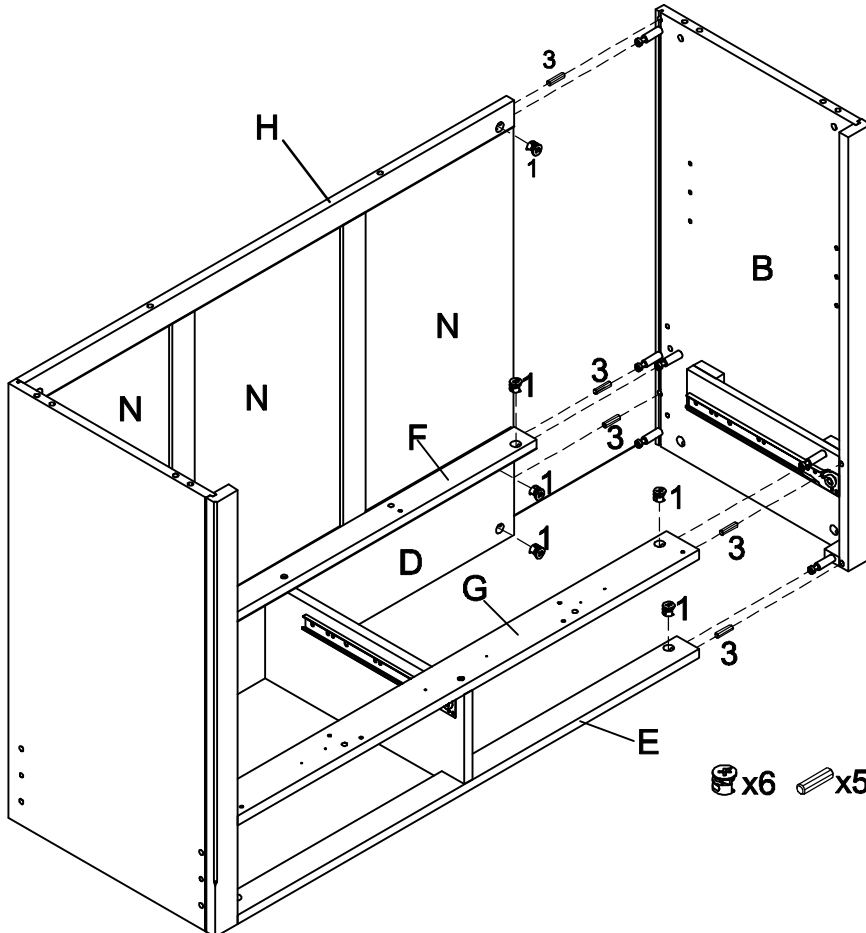
Step 4. Set Rails M into place on Back Rail D using Wood Dowels as shown. Slide Back Panels N into grooves of Parts C & M as shown.



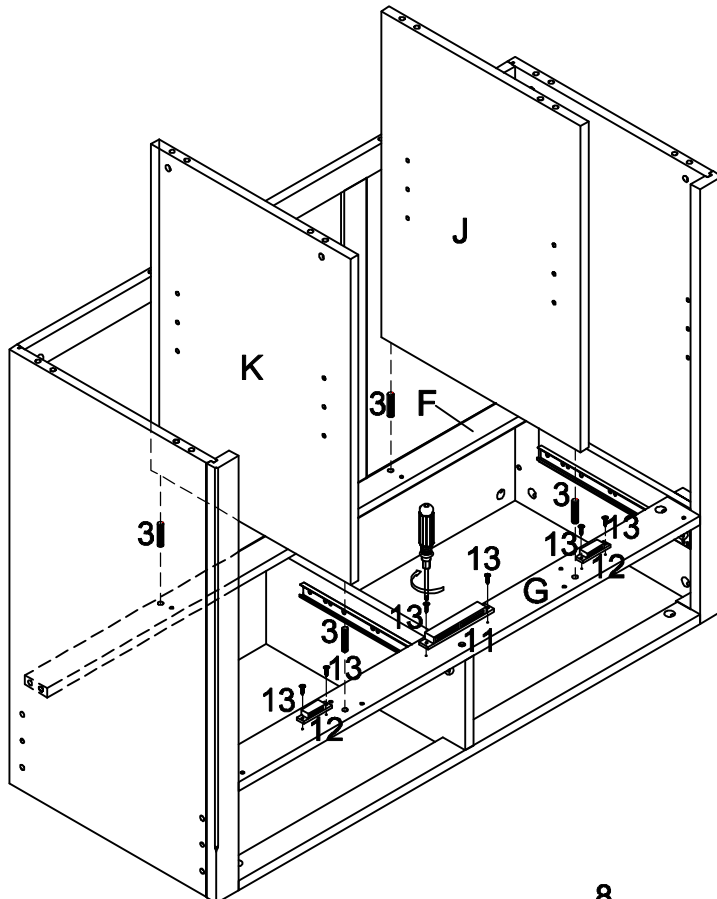
Step 5. Attach Rail H to Rails M & Side Panel C using Wood Dowels & Cam Lock as shown.







**Step 6. Attach Side Panel B to Parts D, E, F, G, & H using Wood Dowels & Cam locks as shown.**

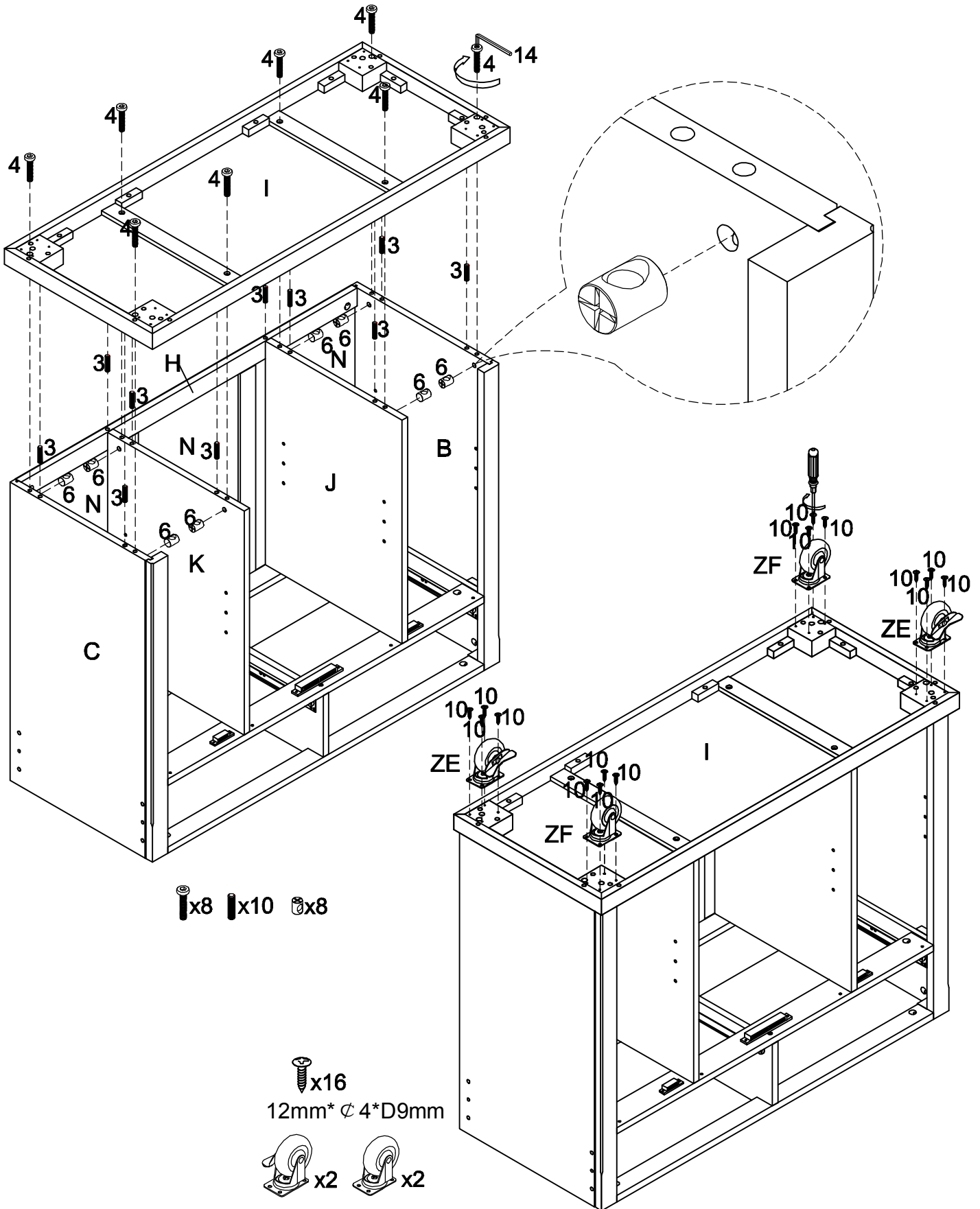


**Step 7. Attach Double Magnet (Part #11) & Magnets (Part #12) to Rail G using Round Head Screws (Part #13) with Phillips Head screw driver as shown. Set Panels J & K into place on Rails F & G using Wood Dowels as shown.**

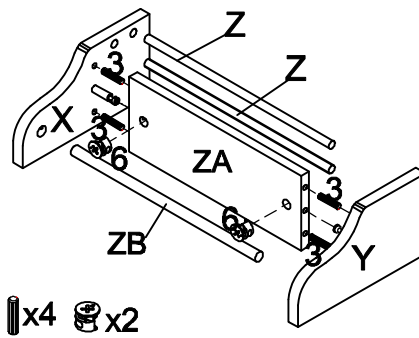


-  x4
-  x1
-  x2
-  x6  
12mm\* Ø 3\*D6mm

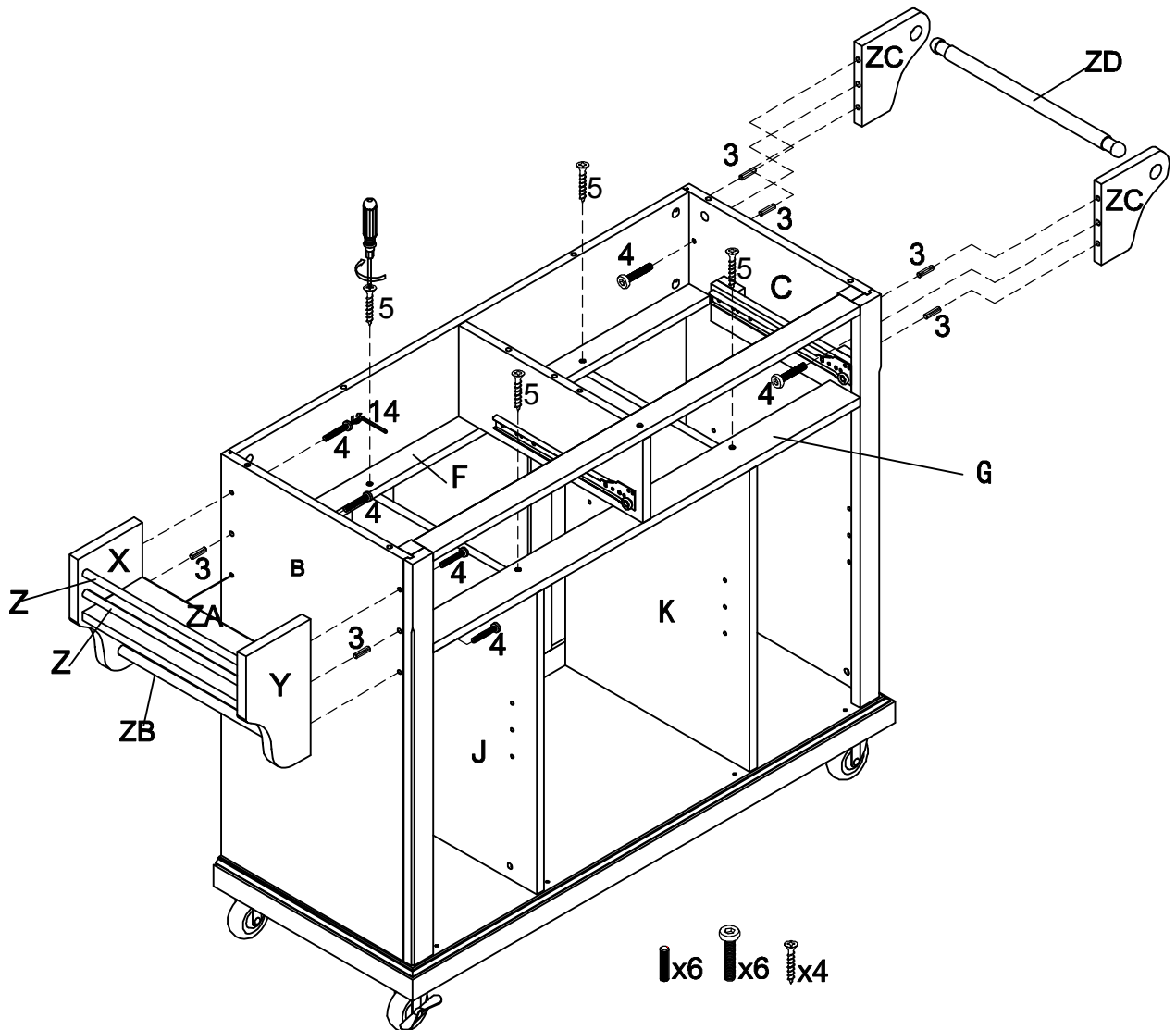
Step 8. Attach Base I to cabinet using Wood dowels, Hex Socket Head Bolts (Part #4) & Barrel nuts (Part #6) as shown. Attach Locking Casters (Part ZE) & Casters (Part ZF) to Base I, using Large Round Head Screws (Part #10) & Phillips Head screw driver as shown. **NOTE: IF YOU PURCHASED A KITCHEN ISLAND WITH WOOD LEGS, DO NOT ATTACH THE CASTERS.** Attach the wood legs using Hex Socket Head Bolts, & Wood Dowels (as shown in instruction manual included in carton with the legs). Carefully turn cabinet with legs or casters on the floor.



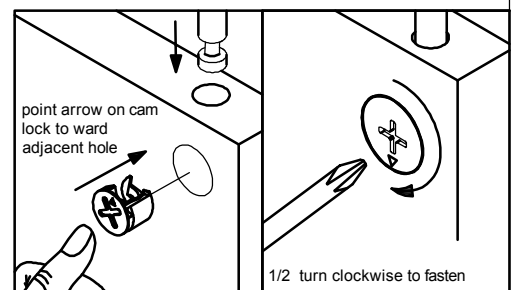
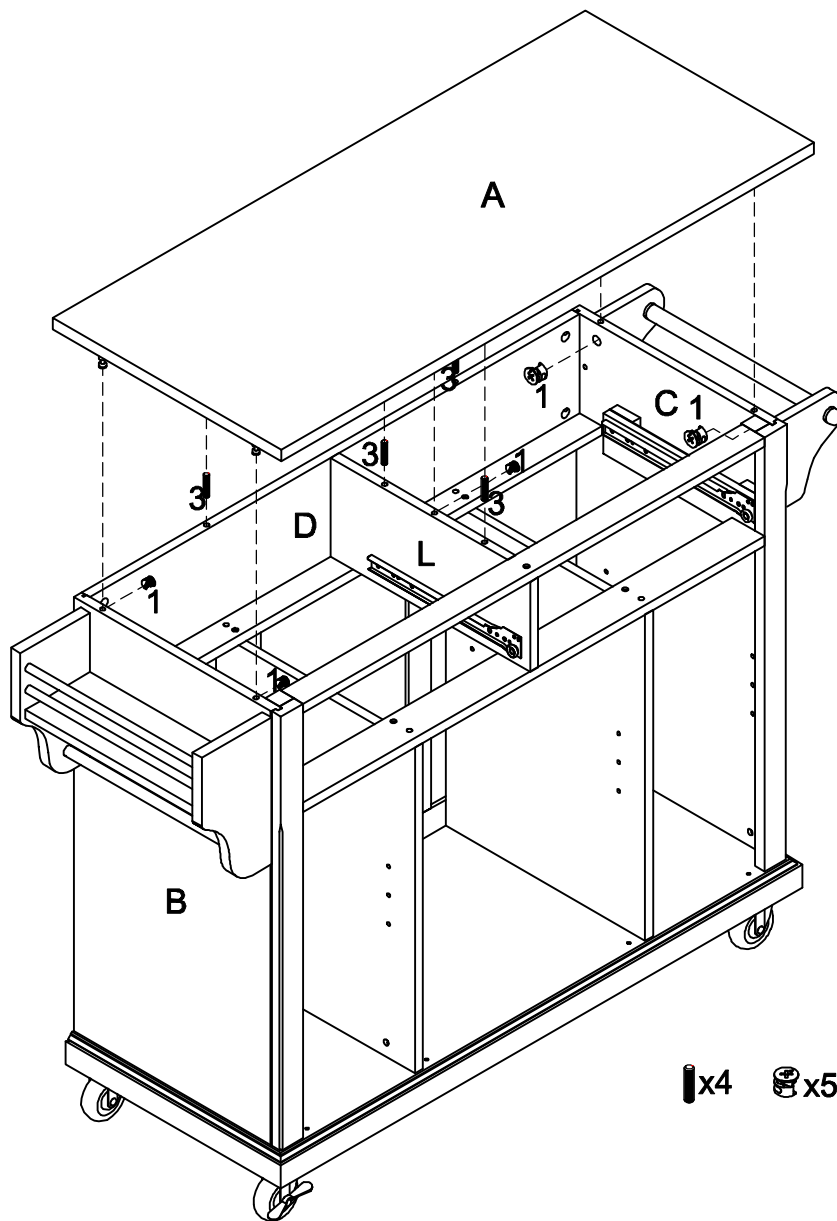
Step 9. Insert Wood Rods (Part ZB & Parts Z) into the pre-drilled holes in Part X as shown. Attach Part ZA to Part X using Wood Dowels and Cam Lock as shown. Attach Part Y to Parts Z, ZB, & ZA using Wood Dowels and Cam Lock as shown.



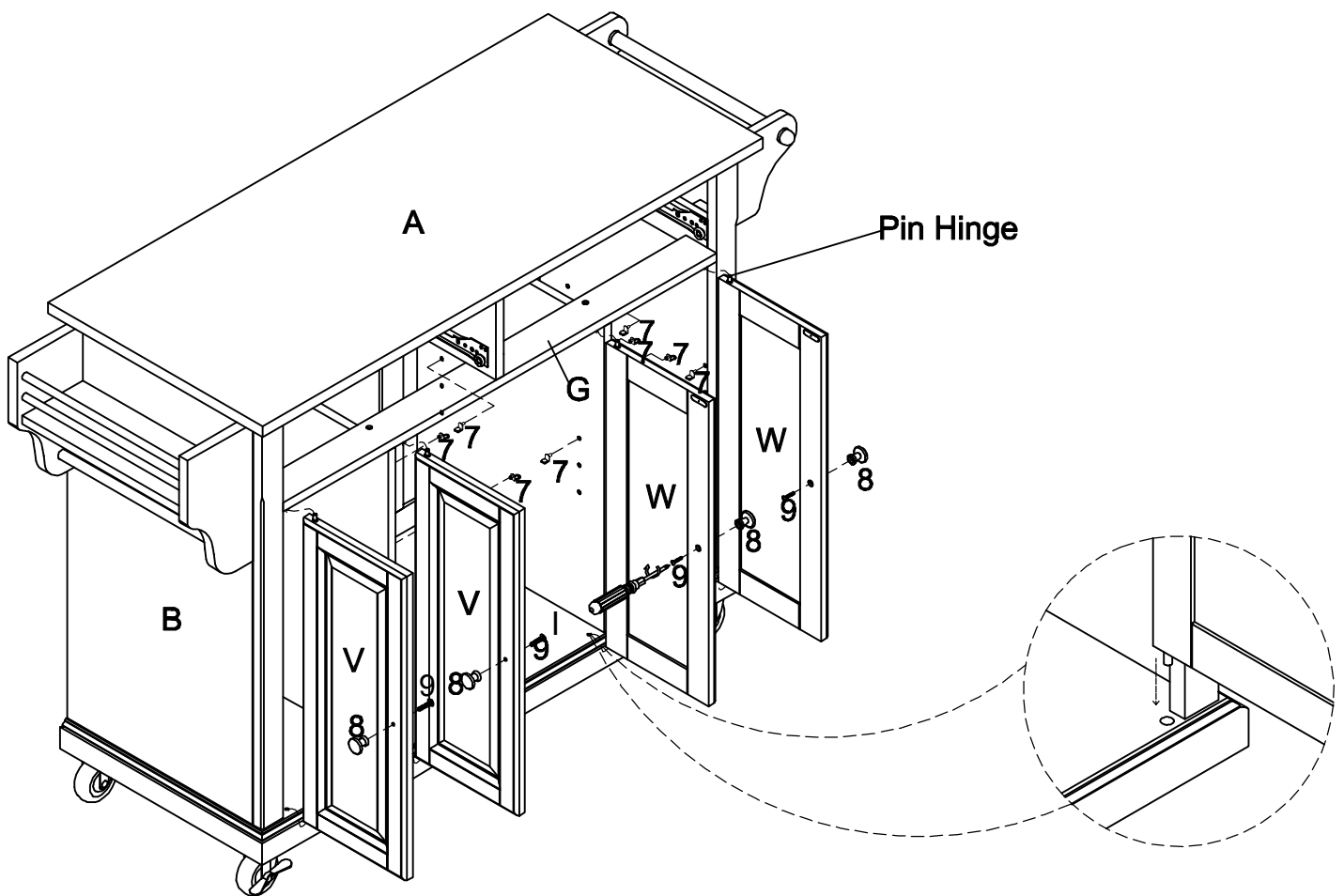
Step 10. Secure Panels J & K to Rails F & G using Screws (Part #5) & Phillips Head screw driver as shown. Attach Spice Rack (Assembled Parts X, Y, Z, & ZB) to Side Panel B using Hex Socket Head Bolts & Wood Dowels as shown. Attach Parts ZC (Towel Bar Sides) to Side Panel C using Hex Socket Head Bolts & Wood Dowels as shown. Insert Towel Bar (Part ZD) through the holes of Parts ZC. **Note: Hex Socket Head Bolts will be inserted from the inside of the cabinet.**



**Step 11. Attach Top A to cabinet using Wood Dowels & Cam locks as shown.**  
Top A ships separately in a different carton than the cabinet.

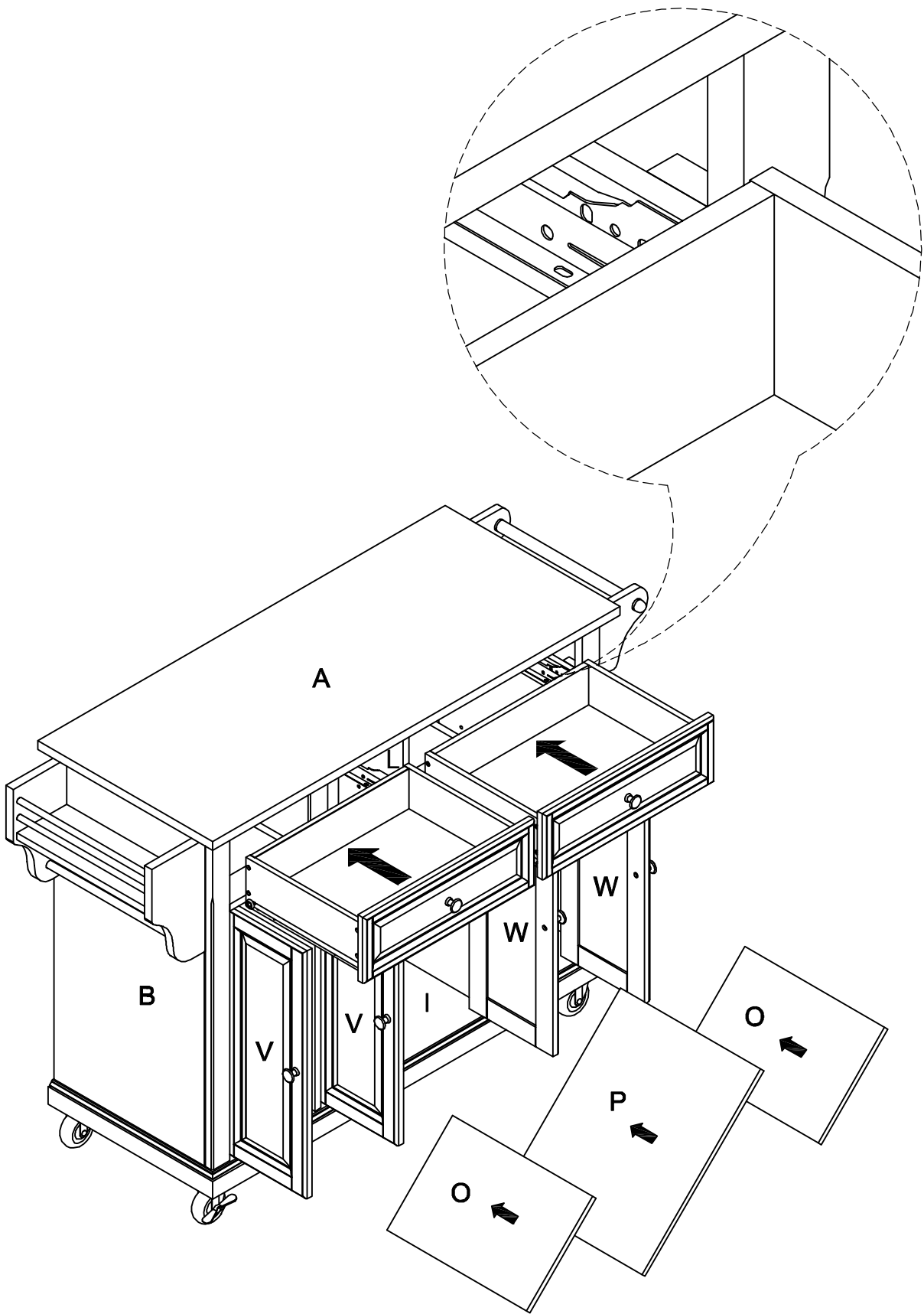


**Step 12. Attach Hardware Knobs to Doors (Parts V & W) using Round Head Bolts (Part #9) & Phillips Head screw driver as shown. Attach doors to cabinet by placing bottom Pin Hinge into pre-drilled holes in Base I & depressing top spring loaded Pin Hinge to fit door into place in Rail G. **Note: Be sure Pin Hinges (top & bottom) have fully extended into the pre-drilled holes in Base I and Rail G to secure doors into place.** Insert the Shelf Holders (Part #7) into desired position.**



 x4    x4    x12





## Limited Manufacturers Warranty

Our products are warranted against defects in material and workmanship for a period of 90 days beginning from the date of sale. Should any parts be missing or defective, we will replace or repair the parts for a period of 90 days from the date of purchase.

**Should you experience any missing or damaged parts, do not return to the store.**

Please contact us directly.

This warranty gives the purchaser specified legal rights in addition to any rights which may vary from state to state.

In accordance with the "Moss-Magnuson Warranty Act" of July 10, 1975, this is termed a "limited warranty" which in no way compromises our high standards of Quality and Workmanship.