

# ASSEMBLY VIDEO



Please scan the QR code to  
watch the assembly video

## **Pay Attention:**

When the vacuum packages to be opened up that might be wrinkles at that stage, which will need you to place them on the chaise lounge for few days after assembling, and they will be recovered afterwards.

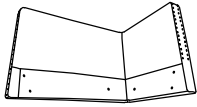
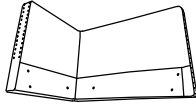
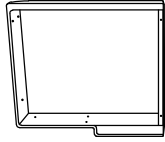
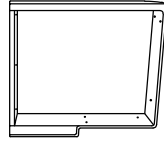
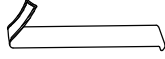
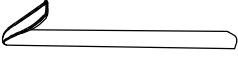
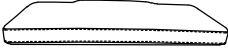
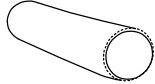
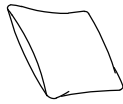



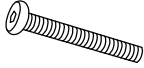



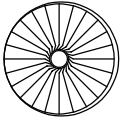
So we highly recommend you to sit on chaise lounge more often during this period that helps to expedite the recover time accordingly.

We are sorry for inconvenience  
and please reach out to customer service if you have any other questions.

# ASSEMBLY INSTRUCTION

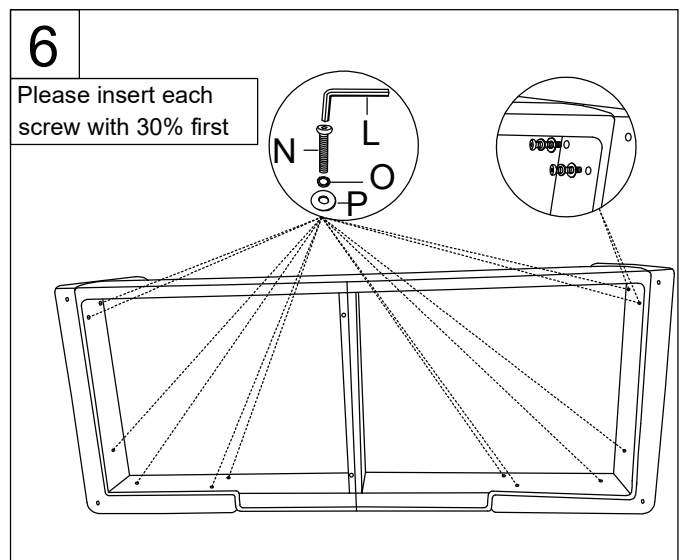
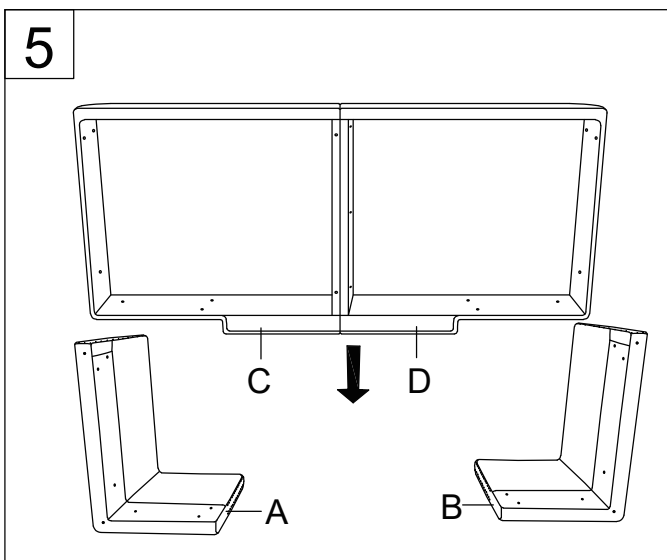
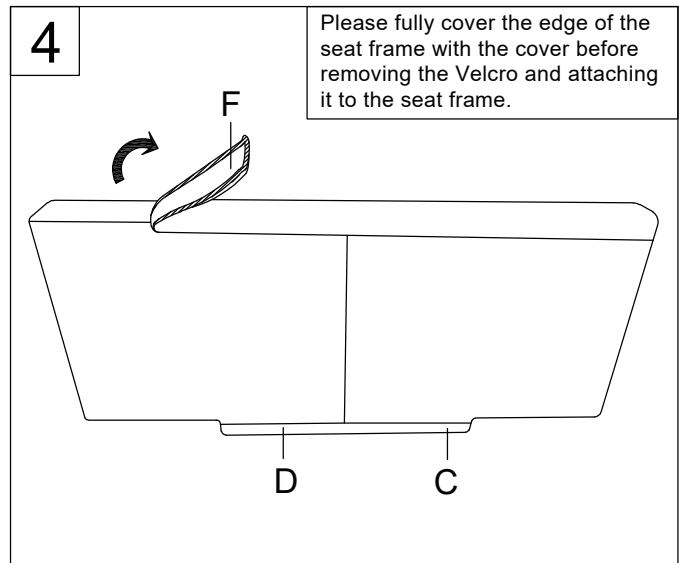
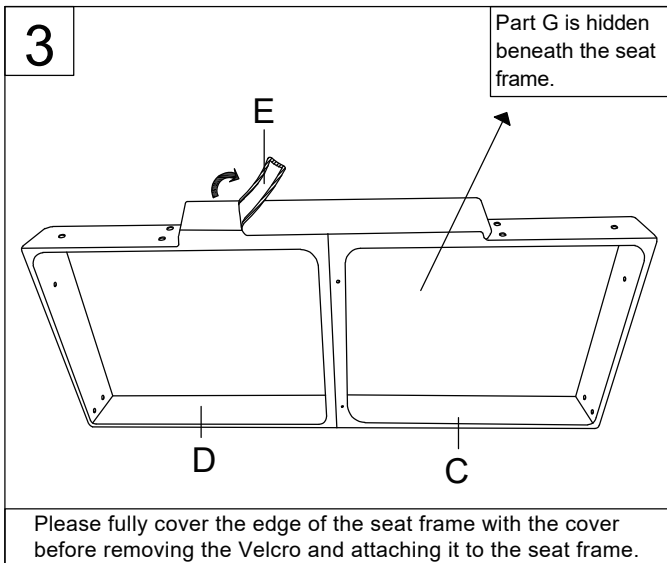
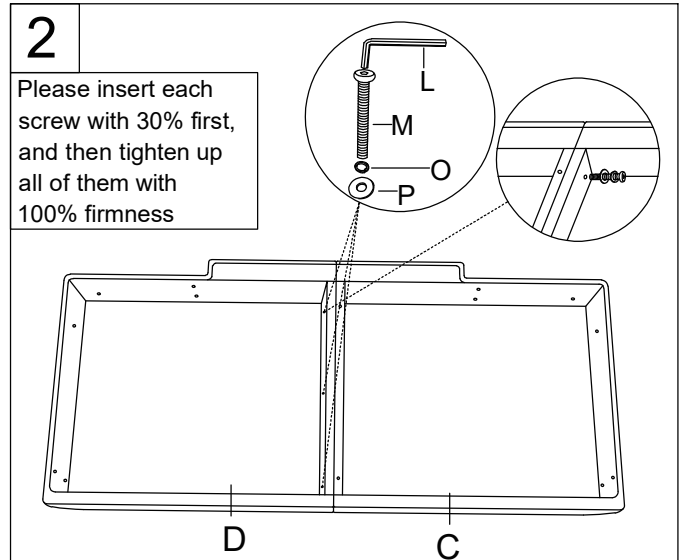
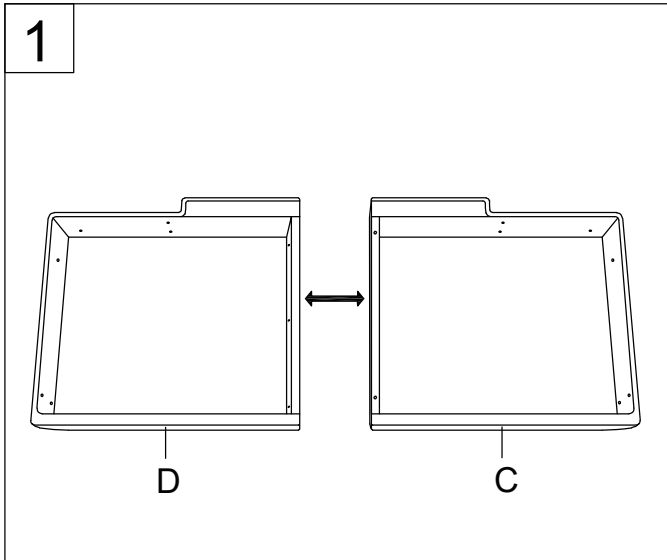
Thank you for purchasing this quality product. Be sure to check all the packing material carefully for small parts, which may have come loose inside the carton during shipment. Identify and count all parts and compare with the HARDWARE LIST below.

## PARTS LIST(NO TOOLS REQUIRED)

NO.	DESCRIPTION	PARTS	QTY	NO.	DESCRIPTION	PARTS	QTY
A	Left Armrest		1	B	Right Armrest		1
C	Left Seat		1	D	Right Seat		1
E	Back Frame Cover		1	F	Front Frame Cover		1
G	Seat Cushion		1	H	Bolsters		2
I	Throw Pillows		4	J	Side Legs		4
K	Middle Legs		2	L	Allen Key	 M6	1
M	Screws	 M8*80MM	3	N	Screws	 M8*40MM	12
O	Spring Washers		15	P	Flat Washers	 M8*Ø24MM	15
Q	Plastic Gaskets		6				

# ASSEMBLY INSTRUCTION

We would be grateful if you could take photoes of defective parts and carton shipping marks for our reference after you check the products before assembling.

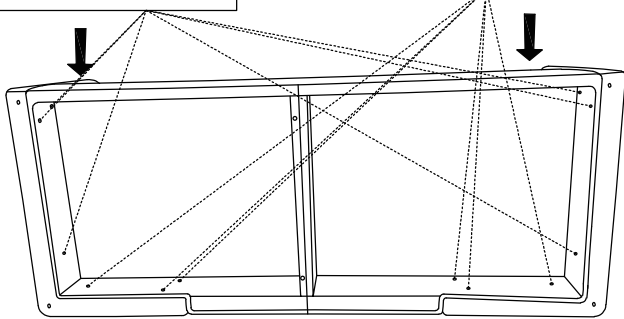


# ASSEMBLY INSTRUCTION

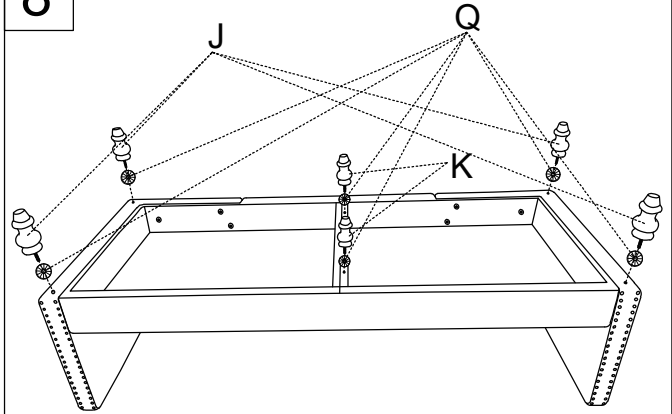
7

Please press down seat frame and tighten up screws with 100% firmness on both sides.

Then tighten up screws with 100% firmness on inner sides.

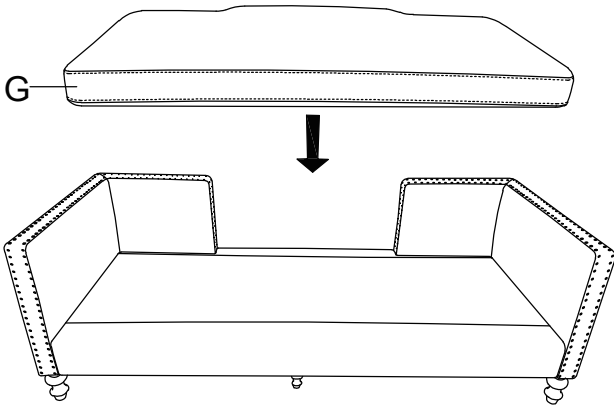


8

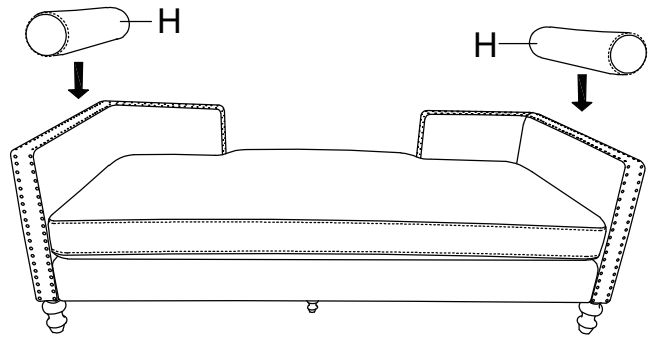


9

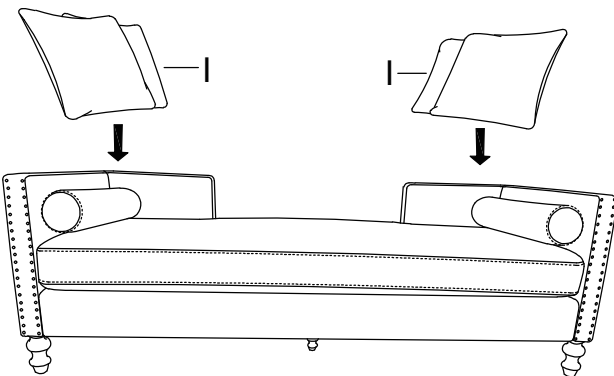
The vacuum seat cushion generally needs to be placed for 48 hours to recover



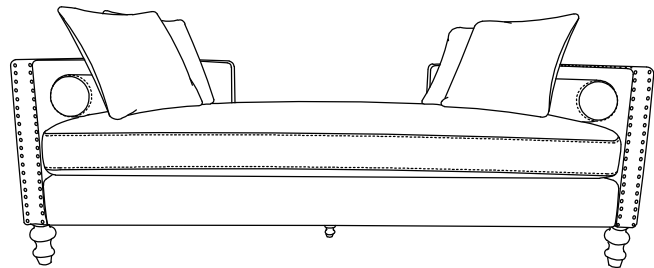
10



11



12



Please don't throw away the original package if you insist to return the products.